



ST7789V2

Datasheet

Sitronix reserves the right to change the contents in this document without prior notice, please contact Sitronix to obtain the latest version of datasheet before placing your order. No responsibility is assumed by Sitronix for any infringement of patent or other rights of third parties which may result from its use.

© 2016 Sitronix Technology Corporation. All rights reserved.

Version 1.0

2016/11

LIST OF CONTENT

| | | |
|----------|---|-----------|
| 1 | GENERAL DESCRIPTION..... | 12 |
| 2 | FEATURES..... | 13 |
| 3 | PAD ARRANGEMENT..... | 15 |
| 3.1 | OUTPUT BUMP DIMENSION..... | 15 |
| 3.2 | INPUT BUMP DIMENSION..... | 16 |
| 3.3 | ALIGNMENT MARK DIMENSION..... | 17 |
| 3.4 | CHIP INFORMATION..... | 17 |
| 4 | PAD CENTER COORDINATES..... | 18 |
| 5 | BLOCK DIAGRAM..... | 31 |
| 6 | PIN DESCRIPTION..... | 32 |
| 6.1 | POWER SUPPLY PINS..... | 32 |
| 6.2 | INTERFACE LOGIC PINS..... | 33 |
| 6.3 | DRIVER OUTPUT PINS..... | 36 |
| 6.4 | TEST AND OTHER PINS..... | 36 |
| 7 | DRIVER ELECTRICAL CHARACTERISTICS..... | 37 |
| 7.1 | ABSOLUTE OPERATION RANGE..... | 37 |
| 7.2 | DC CHARACTERISTICS..... | 38 |
| 7.3 | POWER CONSUMPTION..... | 40 |
| 7.4 | AC CHARACTERISTICS..... | 41 |
| 7.4.1 | <i>8080 Series MCU Parallel Interface Characteristics: 18/16/9/8-bit Bus.....</i> | <i>41</i> |
| 7.4.2 | <i>Serial Interface Characteristics (3-line serial):.....</i> | <i>43</i> |
| 7.4.3 | <i>Serial Interface Characteristics (4-line serial):.....</i> | <i>44</i> |
| 7.4.4 | <i>RGB Interface Characteristics:.....</i> | <i>46</i> |
| 7.4.5 | <i>Reset Timing:.....</i> | <i>48</i> |
| 8 | FUNCTION DESCRIPTION..... | 50 |
| 8.1 | MPU INTERFACE TYPE SELECTION..... | 50 |
| 8.2 | 8080- I SERIES MCU PARALLEL INTERFACE..... | 51 |
| 8.2.1 | <i>Write cycle sequence.....</i> | <i>51</i> |
| 8.2.2 | <i>Read cycle sequence.....</i> | <i>52</i> |
| 8.3 | 8080- II SERIES MCU PARALLEL INTERFACE..... | 54 |
| 8.4 | SERIAL INTERFACE..... | 55 |
| 8.4.1 | <i>Pin description.....</i> | <i>55</i> |
| 8.4.2 | <i>Command write mode.....</i> | <i>56</i> |

8.4.3 Read function..... 58

8.4.4 3-line serial interface I / II protocol..... 58

8.4.5 4-line serial protocol..... 60

8.4.6 2 data lane serial Interface..... 62

8.5 DATA TRANSFER BREAK AND RECOVERY 66

8.6 DATA TRANSFER PAUSE 68

8.6.1 Parallel interface pause..... 68

8.7 DATA TRANSFER MODE 68

8.7.1 Method 1 68

8.7.2 Method 2 69

8.8 DATA COLOR CODING..... 70

8.8.1 8080- I series 8-bit Parallel Interface..... 70

8.8.2 8-bit data bus for 12-bit/pixel (RGB 4-4-4-bit input), 4K-Colors, 3Ah= "03h" 70

8.8.3 8-bit data bus for 16-bit/pixel (RGB 5-6-5-bit input), 65K-Colors, 3Ah= "05h" 71

8.8.4 8-bit data bus for 18-bit/pixel (RGB-6-6-6-bit input), 262K-Colors, 3Ah= "06h" 72

8.8.5 8080- II series 8-bit Parallel Interface..... 73

8.8.6 8-bit data bus for 16-bit/pixel (RGB 5-6-5-bit input), 65K-Colors, 3Ah= "05h" 73

8.8.7 8-bit data bus for 18-bit/pixel (RGB 6-6-6-bit input), 262K-Colors, 3Ah= "06h" 74

8.8.8 8080- I series 16-Bit Parallel Interface..... 75

8.8.9 16-bit data bus for 12-bit/pixel (RGB 4-4-4-bit input), 4K-Colors, 3Ah= "03h" 76

8.8.10 16-bit data bus for 16-bit/pixel (RGB 5-6-5-bit input) 65K-Color, 3Ah= "05h" 77

8.8.11 16-bit data bus for 18-bit/pixel (RGB-6-6-6-bit input), 262K-Colors, 3Ah= "06h", MDT[1:0]= "00b" . 78

8.8.12 16-bit data bus for 18-bit/pixel (RGB-6-6-6-bit input), 262K-Colors, 3Ah= "06h", MDT[1:0]= "01b"
79

8.8.13 16-bit data bus for 18-bit/pixel (RGB-6-6-6-bit input), 262K-Colors, 3Ah= "06h", MDT[1:0]= "10b"
80

8.8.14 16-bit data bus for 18-bit/pixel (RGB-6-6-6-bit input), 262K-Colors, 3Ah= "06h", MDT[1:0]= "11b"
81

8.8.15 8080- II series 16-Bit Parallel Interface..... 82

8.8.16 16-bit data bus for 16-bit/pixel (RGB 5-6-5-bit input) 65K-Color, 3Ah= "05h" 82

8.8.17 16-bit data bus for 18-bit/pixel (RGB-6-6-6-bit input), 262K-Colors, 3Ah= "06h", MDT[1:0]= "00b"
83

8.8.18 16-bit data bus for 18-bit/pixel (RGB-6-6-6-bit input), 262K-Colors, 3Ah= "06h", MDT[1:0]= "01b"
84

8.8.19 16-bit data bus for 18-bit/pixel (RGB-6-6-6-bit input), 262K-Colors, 3Ah= "06h", MDT[1:0]= "10b"
84

8.8.20 16-bit data bus for 18-bit/pixel (RGB-6-6-6-bit input), 262K-Colors, 3Ah= "06h", MDT[1:0]= "11b"
86

| | | |
|--------|---|-----|
| 8.8.21 | 8080- I series 9-Bit Parallel Interface..... | 87 |
| 8.8.22 | Write 9-bit data for RGB 5-6-5-bit input (65K-Color), 3Ah="05h"..... | 87 |
| 8.8.23 | Write 9-bit data for RGB 6-6-6-bit input (262K-Color), 3Ah="06h", MDT[1:0]="00b"..... | 88 |
| 8.8.24 | Write 9-bit data for RGB 6-6-6-bit input (262K-Color), 3Ah="06h", MDT[1:0]="01b"..... | 89 |
| 8.8.25 | 8080- II series 9-bit Parallel Interface..... | 90 |
| 8.8.26 | Write 9-bit data for RGB 5-6-5-bit input (65K-Color), 3Ah="05h"..... | 90 |
| 8.8.27 | Write 9-bit data for RGB 6-6-6-bit input (262K-Color), 3Ah="06h", MDT[1:0]="00b"..... | 91 |
| 8.8.28 | Write 9-bit data for RGB 6-6-6-bit input (262K-Color), 3Ah="06h", MDT[1:0]="01b"..... | 92 |
| 8.8.29 | 8080- I series 18-Bit Parallel Interface..... | 93 |
| 8.8.30 | 18-bit data bus for 12-bit/pixel (RGB-4-4-4-bit input), 4K-colors, 3Ah="03h"..... | 94 |
| 8.8.31 | 18-bit data bus for 16-bit/pixel (RGB-5-6-5-bit input), 65K-colors, 3Ah="05h"..... | 95 |
| 8.8.32 | 18-bit data bus for 18-bit/pixel (RGB-6-6-6-bit input), 262K-colors, 3Ah="06h"..... | 97 |
| 8.8.33 | 8080- II series 18-Bit Parallel Interface..... | 98 |
| 8.8.34 | 18-bit data bus for 16-bit/pixel (RGB-5-6-5-bit input), 65K-colors, 3Ah="05h"..... | 99 |
| 8.8.35 | 18-bit data bus for 18-bit/pixel (RGB-6-6-6-bit input), 262K-colors, 3Ah="06h"..... | 101 |
| 8.8.36 | 3-Line Serial Interface..... | 102 |
| 8.8.37 | Write data for 12-bit/pixel (RGB-4-4-4 bit input), 4K-Colors, 3Ah="03h"..... | 102 |
| 8.8.38 | Write data for 16-bit/pixel (RGB 5-6-5-bit input), 65K-Colors, 3Ah="05h"..... | 103 |
| 8.8.39 | Write data for 18-bit/pixel (RGB-6-6-6-bit input), 262K-Colors, 3Ah="06h"..... | 103 |
| 8.8.40 | 2 Data Lane Serial Interface..... | 104 |
| 8.8.41 | Write data for 12-bit/pixel (RGB 4-4-4-bit input), 4K-Colors, 3Ah="03h"..... | 104 |
| 8.8.42 | Write data for 16-bit/pixel (RGB 5-6-5-bit input), 65K-Colors, 3Ah="05h"..... | 105 |
| 8.8.43 | Write data for 18-bit/pixel (RGB 6-6-6-bit input), 262K-Colors, 3Ah="06h"..... | 105 |
| 8.8.44 | 4-Line Serial Interface..... | 106 |
| 8.8.45 | Write data for 12-bit/pixel (RGB 4-4-4-bit input), 4K-Colors, 3Ah="03h"..... | 106 |
| 8.8.46 | Write data for 16-bit/pixel (RGB-5-6-5-bit input), 65K-Colors, 3Ah="05h"..... | 107 |
| 8.8.47 | Write data for 18-bit/pixel (RGB-6-6-6-bit input), 262K-Colors, 3Ah="06h"..... | 108 |
| 8.9 | RGB INTERFACE..... | 109 |
| 8.9.1 | RGB interface Selection..... | 109 |
| 8.9.2 | RGB Color Format..... | 109 |
| 8.9.3 | RGB Interface Definition..... | 115 |
| 8.9.4 | RGB Interface Mode Selection..... | 116 |
| 8.9.5 | RGB Interface Timing..... | 116 |
| 8.10 | VSYNC INTERFACE..... | 120 |
| 8.10.1 | 18-bit RGB Interface..... | 120 |
| 8.10.2 | VSYNC Interface Mode..... | 122 |
| 8.11 | DISPLAY DATA RAM..... | 124 |
| 8.11.1 | Configuration..... | 124 |

| | | |
|----------|---|------------|
| 8.11.2 | Memory to display address mapping..... | 125 |
| 8.12 | ADDRESS CONTROL..... | 126 |
| 8.13 | NORMAL DISPLAY ON OR PARTIAL MODE ON, VERTICAL SCROLL OFF | 128 |
| 8.14 | VERTICAL SCROLL MODE..... | 130 |
| 8.14.1 | Rolling scroll..... | 130 |
| 8.14.2 | Vertical Scroll Example..... | 132 |
| 8.15 | TEARING EFFECT..... | 134 |
| 8.15.1 | Tearing effect line modes..... | 134 |
| 8.15.2 | Tearign effect line timings..... | 135 |
| 8.15.3 | Example 1: MPU Write is faster than panel read..... | 136 |
| 8.15.4 | Example 2: MPU write is slower than panel read..... | 137 |
| 8.16 | POWER ON/OFF SEQUENCE..... | 138 |
| 8.16.1 | Uncontrolled Power Off..... | 139 |
| 8.17 | POWER LEVEL DEFINITION..... | 140 |
| 8.17.1 | Power Level..... | 140 |
| 8.18 | POWER FLOW CHART | 141 |
| 8.19 | GAMMA CORRECTION | 142 |
| 8.20 | GRAY VOLTAGE GENERATOR FOR DIGITAL GAMMA CORRECTION..... | 147 |
| 8.21 | DISPLAY DIMMING | 148 |
| 8.21.1 | General Description..... | 148 |
| 8.21.2 | Dimming Requirement..... | 148 |
| 8.21.3 | Definition of brightness transition time..... | 150 |
| 8.22 | CONTENT ADAPTIVE BRIGHTNESS CONTROL (CABC) | 152 |
| 8.22.1 | Definition of CABC | 152 |
| 8.22.2 | Minimum brightness setting of CABC function..... | 156 |
| 9 | COMMAND | 158 |
| 9.1 | SYSTEM FUNCTION COMMAND TABLE 1..... | 158 |
| 9.1.1 | NOP (00h)..... | 164 |
| 9.1.2 | SWRESET (01h): Software Reset..... | 165 |
| 9.1.3 | RDDID (04h): Read Display ID | 167 |
| 9.1.4 | RDDST (09h): Read Display Status..... | 169 |
| 9.1.5 | RDDPM (0Ah): Read Display Power Mode | 172 |
| 9.1.6 | RDDMADCTL (0Bh): Read Display MADCTL..... | 174 |
| 9.1.7 | RDDCOLMOD (0Ch): Read Display Pixel Format | 176 |
| 9.1.8 | RDDIM (0Dh): Read Display Image Mode | 178 |
| 9.1.9 | RDDSM (0Eh): Read Display Signal Mode..... | 180 |
| 9.1.10 | RDDSDR (0Fh): Read Display Self-Diagnostic Result..... | 182 |

| | | |
|--------|--|-----|
| 9.1.11 | <i>SLPIN (10h): Sleep in</i> | 184 |
| 9.1.12 | <i>SLPOUT (11h): Sleep Out</i> | 186 |
| 9.1.13 | <i>PTLON (12h): Partial Display Mode On</i> | 188 |
| 9.1.14 | <i>NORON (13h): Normal Display Mode On</i> | 189 |
| 9.1.15 | <i>INVOFF (20h): Display Inversion Off</i> | 190 |
| 9.1.16 | <i>INVON (21h): Display Inversion On</i> | 192 |
| 9.1.17 | <i>GAMSET (26h): Gamma Set</i> | 194 |
| 9.1.18 | <i>DISPOFF (28h): Display Off</i> | 196 |
| 9.1.19 | <i>DISPON (29h): Display On</i> | 198 |
| 9.1.20 | <i>CASET (2Ah): Column Address Set</i> | 200 |
| 9.1.21 | <i>RASET (2Bh): Row Address Set</i> | 202 |
| 9.1.22 | <i>RAMWR (2Ch): Memory Write</i> | 204 |
| 9.1.23 | <i>RAMRD (2Eh): Memory Read</i> | 206 |
| 9.1.24 | <i>PTLAR (30h): Partial Area</i> | 208 |
| 9.1.25 | <i>VSCRDEF (33h): Vertical Scrolling Definition</i> | 210 |
| 9.1.26 | <i>TEOFF (34h): Tearing Effect Line OFF</i> | 213 |
| 9.1.27 | <i>TEON (35h): Tearing Effect Line On</i> | 215 |
| 9.1.28 | <i>MADCTL (36h): Memory Data Access Control</i> | 217 |
| 9.1.29 | <i>VSCSAD (37h): Vertical Scroll Start Address of RAM</i> | 220 |
| 9.1.30 | <i>IDMOFF (38h): Idle Mode Off</i> | 222 |
| 9.1.31 | <i>IDMON (39h): Idle mode on</i> | 224 |
| 9.1.32 | <i>COLMOD (3Ah): Interface Pixel Format</i> | 226 |
| 9.1.33 | <i>WRMEMC (3Ch): Write Memory Continue</i> | 227 |
| 9.1.34 | <i>RDMEMC (3Eh): Read Memory Continue</i> | 229 |
| 9.1.35 | <i>STE (44h): Set Tear Scanline</i> | 231 |
| 9.1.36 | <i>GSCAN (45h): Get Scanline</i> | 233 |
| 9.1.37 | <i>WRDISBV (51h): Write Display Brightness</i> | 235 |
| 9.1.38 | <i>RDDISBV (52h): Read Display Brightness Value</i> | 237 |
| 9.1.39 | <i>WRCTRLD (53h): Write CTRL Display</i> | 239 |
| 9.1.40 | <i>RDCTRLD (54h): Read CTRL Value Display</i> | 241 |
| 9.1.41 | <i>WRCACE (55h): Write Content Adaptive Brightness Control and Color Enhancement</i> | 243 |
| 9.1.42 | <i>RDCABC (56h): Read Content Adaptive Brightness Control</i> | 245 |
| 9.1.43 | <i>WRCABCMB (5Eh): Write CABC Minimum Brightness</i> | 247 |
| 9.1.44 | <i>RDCABCMB (5Fh): Read CABC Minimum Brightness</i> | 249 |
| 9.1.45 | <i>RDABCSDR (68h): Read Automatic Brightness Control Self-Diagnostic Result</i> | 250 |
| 9.1.46 | <i>RDID1 (DAh): Read ID1</i> | 252 |
| 9.1.47 | <i>RDID2 (DBh): Read ID2</i> | 253 |
| 9.1.48 | <i>RDID3 (DCh): Read ID3</i> | 254 |

| | | |
|--------|---|-----|
| 9.2 | SYSTEM FUNCTION COMMAND TABLE 2..... | 255 |
| 9.2.1 | RAMCTRL (B0h): RAM Control..... | 260 |
| 9.2.2 | RGBCTRL (B1h): RGB Interface Control..... | 263 |
| 9.2.3 | PORCTRL (B2h): Porch Setting..... | 265 |
| 9.2.4 | FRCTRL1 (B3h): Frame Rate Control 1 (In partial mode/ idle colors)..... | 266 |
| 9.2.5 | PARCTRL (B5h): Partial Control..... | 268 |
| 9.2.6 | GCTRL (B7h): Gate Control..... | 269 |
| 9.2.7 | GTADJ (B8h): Gate On Timing Adjustment..... | 271 |
| 9.2.8 | DGMEN (BAh): Digital Gamma Enable..... | 273 |
| 9.2.9 | VCOMS (BBh): VCOM Setting..... | 274 |
| 9.2.10 | POWSAVE(BCh): Power Saving Mode..... | 276 |
| 9.2.11 | DLPOFFSAVE (BDh): Display off power save..... | 277 |
| 9.2.12 | LCMCTRL (C0h): LCM Control..... | 278 |
| 9.2.13 | IDSET (C1h): ID Code Setting..... | 279 |
| 9.2.14 | VDVVRHEN (C2h): VDV and VRH Command Enable..... | 280 |
| 9.2.15 | VRHS (C3h): VRH Set..... | 281 |
| 9.2.16 | VDVS (C4h): VDV Set..... | 283 |
| 9.2.17 | VCMOFSET (C5h): VCOM Offset Set..... | 285 |
| 9.2.18 | FRCTRL2 (C6h): Frame Rate Control in Normal Mode..... | 287 |
| 9.2.19 | CABCCTRL (C7h): CABC Control..... | 289 |
| 9.2.20 | REGSEL1 (C8h): Register Value Selection 1..... | 290 |
| 9.2.21 | REGSEL2 (CAh): Register Value Selection 2..... | 291 |
| 9.2.22 | PWMFRSEL (CCh): PWM Frequency Selection..... | 292 |
| 9.2.23 | PWCTRL1 (D0h): Power Control 1..... | 293 |
| 9.2.24 | VAPVANEN (D2h): Enable VAP/VAN signal output..... | 295 |
| 9.2.25 | CMD2EN (DFh): Command 2 Enable..... | 296 |
| 9.2.26 | PVGAMCTRL (E0h): Positive Voltage Gamma Control..... | 297 |
| 9.2.27 | NVGAMCTRL (E1h): Negative Voltage Gamma Control..... | 299 |
| 9.2.28 | DGMLUTR (E2h): Digital Gamma Look-up Table for Red..... | 301 |
| 9.2.29 | DGMLUTB (E3h): Digital Gamma Look-up Table for Blue..... | 303 |
| 9.2.30 | GATECTRL (E4h): Gate Control..... | 305 |
| 9.2.31 | SPI2EN (E7h): SPI2 Enable..... | 307 |
| 9.2.32 | PWCTRL2 (E8h): Power Control 2..... | 308 |
| 9.2.33 | EQCTRL (E9h): Equalize time control..... | 309 |
| 9.2.34 | PROMCTRL (ECh): Program Mode Control..... | 311 |
| 9.2.35 | PROMEN (FAh): Program Mode Enable..... | 312 |
| 9.2.36 | NVMSET (FCh): NVM Setting..... | 313 |
| 9.2.37 | PROMACT (FEh): Program action..... | 314 |

| | | |
|-----------|---|------------|
| 10 | APPLICATION | 315 |
| 10.1 | CONFIGURATION OF POWER SUPPLY CIRCUIT | 315 |
| 10.2 | VOLTAGE GENERATION..... | 316 |
| 10.3 | RELATIONSHIP ABOUT SOURCE VOLTAGE | 317 |
| 10.4 | APPLIED VOLTAGE TO THE TFT PANEL | 318 |
| 11 | REVISION HISTORY | 319 |

LIST OF FIGURES

FIGURE 1 PARALLEL INTERFACE TIMING CHARACTERISTICS (8080-SERIES MCU INTERFACE)..... 41

FIGURE 2 RISING AND FALLING TIMING FOR I/O SIGNAL 42

FIGURE 3 WRITE-TO-READ AND READ-TO-WRITE TIMING 42

FIGURE 4 3-LINE SERIAL INTERFACE TIMING CHARACTERISTICS 43

FIGURE 5 4-LINE SERIAL INTERFACE TIMING CHARACTERISTICS 44

FIGURE 6 RGB INTERFACE TIMING CHARACTERISTICS 46

FIGURE 7 RESET TIMING 48

FIGURE 8 8080-SERIES WRX PROTOCOL 52

FIGURE 9 8080-SERIES PARALLEL BUS PROTOCOL, WRITE TO REGISTER OR DISPLAY RAM 52

FIGURE 10 8080-SERIES RDX PROTOCOL 53

FIGURE 11 8080-SERIES PARALLEL BUS PROTOCOL, READ DATA FROM REGISTER OR DISPLAY RAM 53

FIGURE 12 SERIAL INTERFACE DATA STREAM FORMAT 56

FIGURE 13 3-LINE SERIAL INTERFACE WRITE PROTOCOL (WRITE TO REGISTER WITH CONTROL BIT IN TRANSMISSION)
..... 57

FIGURE 14 4-LINE SERIAL INTERFACE WRITE PROTOCOL (WRITE TO REGISTER WITH CONTROL BIT IN TRANSMISSION)
..... 57

FIGURE 15 3-LINE SERIAL INTERFACE READ PROTOCOL 59

FIGURE 16 4-LINE SERIAL INTERFACE READ PROTOCOL 61

FIGURE 17 HARDWARE SUGGESTION OF 2 DATA LANE SERIAL INTERFACE 62

FIGURE 18 3-LINE SERIAL INTERFACE WRITE PROTOCOL (WRITE TO REGISTER WITH CONTROL BIT IN TRANSMISSION)
..... 63

FIGURE 19 3-LINE SERIAL INTERFACE READ PROTOCOL 65

FIGURE 20 WRITE INTERRUPTS RECOVERY (SERIAL INTERFACE) 66

FIGURE 21 WRITE INTERRUPTS RECOVERY (BOTH SERIAL AND PARALLEL INTERFACE) 67

FIGURE 22 PARALLEL BUS PAUSE PROTOCOL (PAUSED BY CSX) 68

FIGURE 23 RGB INTERFACE DATA FORMAT 114

FIGURE 24 DRAM ACCESS AREA BY RGB INTERFACE 115

FIGURE 25 TIMING CHART OF SIGNALS IN RGB INTERFACE DE MODE 117

FIGURE 26 TIMING CHART OF RGB INTERFACE HV MOD 118

FIGURE 27 DATA TRANSMISSION THROUGH VSYNC INTERFACE 120

FIGURE 28 OPERATION THROUGH VSYNC INTERFACE 120

FIGURE 29 TIMING DIAGRAM OF VSYNC INTERFACE 121

FIGURE 30 OPERATION FOR LEADING MODE OF VSYNC INTERFACE 122

FIGURE 31 OPERATION FOR LAGGING MODE OF VSYNC INTERFACE 122

FIGURE 32 DISPLAY DATA RAM ORGANIZATION 124

FIGURE 33 DISPLAY DATA RAM ORGANIZATION 127

FIGURE 34 ROLLING SCROLL DEFINITION 130

| | |
|--|-----|
| FIGURE 35 GRAY SCALE VOLTAGE GENERATION (POSITIVE) | 142 |
| FIGURE 36 RELATIONSHIP BETWEEN SOURCE OUTPUT AND VCOM | 143 |
| FIGURE 37 BLOCK DIAGRAM OF DIGITAL GAMMA | 147 |
| FIGURE 38 POWER BOOSTER LEVEL | 316 |
| FIGURE 39 RELATIONSHIP ABOUT SOURCE VOLTAGE | 317 |
| FIGURE 40 VOLTAGE OUTPUT TO TFT LCD PANEL | 318 |

LIST OF TABLES

| | |
|---|-----|
| TABLE 1 ABSOLUTE OPERATION RANGE..... | 37 |
| TABLE 2 BASIC DC CHARACTERISTICS | 38 |
| TABLE 3 POWER CONSUMPTION | 40 |
| TABLE 4 8080 PARALLEL INTERFACE CHARACTERISTICS..... | 42 |
| TABLE 5 3-LINE SERIAL INTERFACE CHARACTERISTICS | 43 |
| TABLE 6 4-LINE SERIAL INTERFACE CHARACTERISTICS | 44 |
| TABLE 7 18/16 BITS RGB INTERFACE TIMING CHARACTERISTICS | 46 |
| TABLE 8 6 BITS RGB INTERFACE TIMING CHARACTERISTICS | 47 |
| TABLE 8 RESET TIMING | 48 |
| TABLE 9 INTERFACE TYPE SELECTION | 50 |
| TABLE 10 THE FUNCTION OF 8080-SERIES PARALLEL INTERFACE..... | 51 |
| TABLE 11 THE FUNCTION OF 8080- II SERIES PARALLEL INTERFACE..... | 54 |
| TABLE 12 SELECTION OF SERIAL INTERFACE..... | 55 |
| TABLE 13 PIN DESCRIPTION OF SERIAL INTERFACE | 56 |
| TABLE 14 IM PIN SELECTION..... | 62 |
| TABLE 15 PIN DESCRIPTION OF 2 DATA LANE SERIAL INTERFACE | 62 |
| TABLE 16 AC CHARACTERISTICS OF TEARING EFFECT SIGNAL IDLE MODE OFF (FRAME RATE = 60 HZ, TA=25°C) | 135 |
| TABLE 17 VOLTAGE LEVEL PERCENTAGE ADJUSTMENT DESCRIPTION | 143 |
| TABLE 18 SYSTEM FUNCTION COMMAND LIST | 163 |

1 GENERAL DESCRIPTION

The ST7789V2 is a single-chip controller/driver for 262K-color, graphic type TFT-LCD. It consists of 720 source line and 320 gate line driving circuits. This chip can directly connect to an external microprocessor, and accepts, 8-bits/9-bits/16-bits/18-bits parallel interface. Display data can be stored in the on-chip display data RAM of 240x320x18 bits. It can perform display data RAM read/write operation with no external operation clock to minimize power consumption. In addition, because of the integrated power supply circuit necessary to drive liquid crystal; it is possible to make a display system with the fewest components.

2 FEATURES

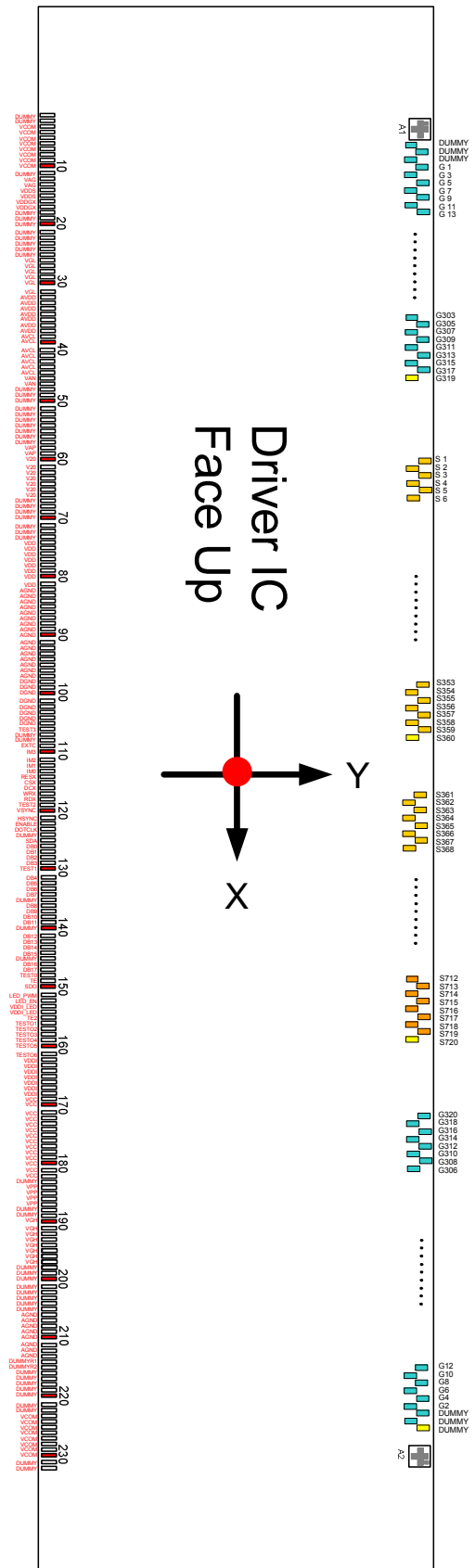
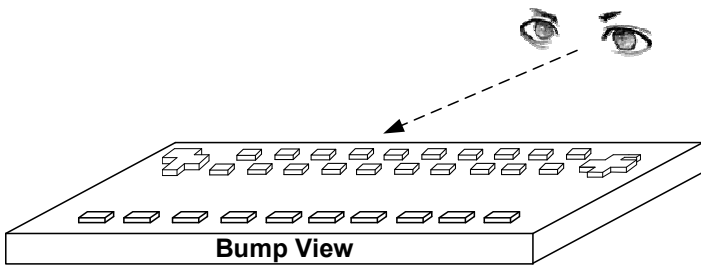
- Single chip TFT-LCD Controller/Driver with On-chip Frame Memory (FM)
- Display Resolution: 240*RGB (H) *320(V)
- Frame Memory Size: 240 x 320 x 18-bit = 1,382,400 bits
- LCD Driver Output Circuits
 - Source Outputs: 240 RGB Channels
 - Gate Outputs: 320 Channels
 - Common Electrode Output
- Display Colors (Color Mode)
 - Full Color: 262K, RGB=(666) max., Idle Mode Off
 - Color Reduce: 8-color, RGB=(111), Idle Mode On
- Programmable Pixel Color Format (Color Depth) for Various Display Data input Format
 - 12-bit/pixel: RGB=(444)
 - 16-bit/pixel: RGB=(565)
 - 18-bit/pixel: RGB=(666)
- MCU Interface
 - Parallel 8080-series MCU Interface (8-bit, 9-bit, 16-bit & 18-bit)
 - 6/16/18 RGB Interface(VSYNC, HSYNC, DOTCLK, ENABLE, DB[17:0])
 - Serial Peripheral Interface(SPI Interface)
 - VSYNC Interface
- Display Features
 - Programmable Partial Display Duty
 - CABC for saving current consumption
 - Color enhancement
- On Chip Build-In Circuits
 - DC/DC Converter
 - Adjustable VCOM Generation
 - Non-Volatile (NV) Memory to Store Initial Register Setting and Factory Default Value (Module ID, Module Version, etc)
 - Timing Controller
 - 4 preset Gamma curve with separated RGB Gamma setting
- Build-In NV Memory for LCD Initial Register Setting
 - 8-bits for ID1 setting
 - 8-bits for ID2 setting
 - 8-bits for ID3 setting
 - 6-bits for VCOM Offset adjustment
- Driving Algorithm

- Dot Inversion
- Column Inversion
- Wide Supply Voltage Range
 - I/O Voltage (VDDI to DGND): 1.65V ~ 3.3V ($VDDI \leq VDD$)
 - Analog Voltage (VDD to AGND): 2.4V ~ 3.3V
- On-Chip Power System
 - Source Voltage (VAP (GVDD) to VAN (GVCL)): +6.4~-4.6V
 - VCOM level: GND
 - Gate driver HIGH level (VGH to AGND): +12.2V ~ +14.97V
 - Gate driver LOW level (VGL to AGND): -12.5V ~ -7.16V
- Optimized layout for COG Assembly
- Operate temperature range: -30°C to +85°C
- Lower Power Consumption

3 PAD ARRANGEMENT

3.1 Output Bump Dimension

| | |
|----------------|--------------------------------|
| Au bump height | 9μm |
| Au bump size | 14μm x 100μm |
| | Gate : G1~G320 |
| | Source : S1~S720 |
| | 40μm x 56μm |
| | Input Pads : Pad 12 to Pad 239 |

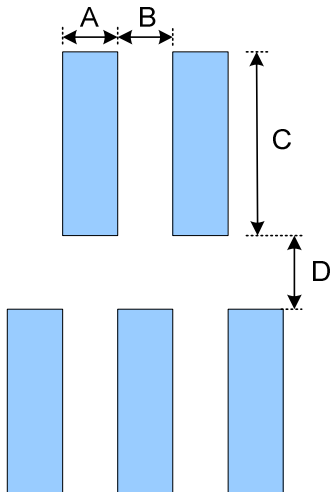


3.2 Input Bump Dimension

- Output Pads

S1~S720、G1~G320、DUMMY

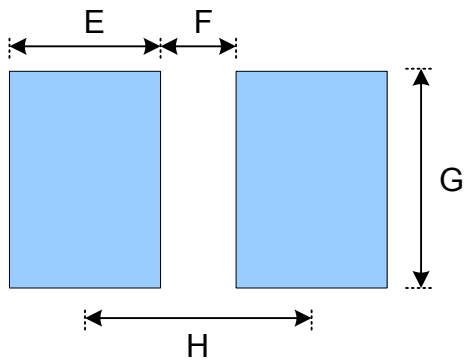
(No.233~1278)



| Symbol | Item | Size |
|--------|-------------------------|--------|
| A | Bump Width | 14 um |
| B | Bump Gap 1 (Horizontal) | 14 um |
| C | Bump Height | 100 um |
| D | Bump Gap 2 (Vertical) | 31 um |

- Input Pads

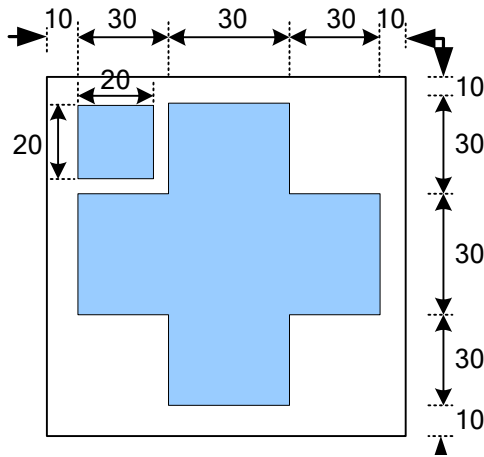
No.1~232



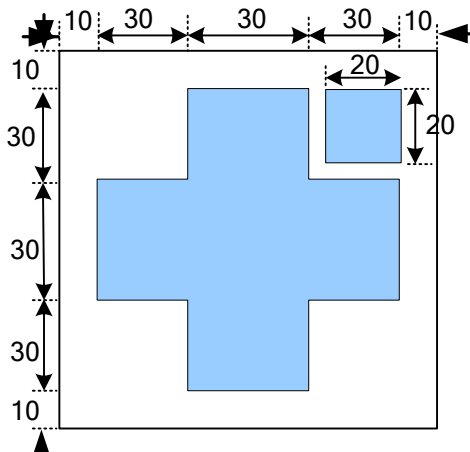
| Symbol | Item | Size |
|--------|-------------|---------------|
| E | Bump Width | 40 um |
| F | Bump Gap | 20、32.5、45 um |
| G | Bump Height | 56 um |
| H | Bump Pitch | 60、72.5、85 um |

3.3 Alignment Mark Dimension

- Alignment Mark : A1(X,Y)=(-7480,251.58)



- Alignment Mark : A2(X,Y)=(+7480,251.58)



3.4 Chip Information

| | |
|-------------------|----------------|
| Chip size | 15155μm x698μm |
| Chip thickness | 300μm |
| Pad Location | Pad center |
| Coordinate Origin | Chip center |

4 PAD CENTER COORDINATES

| PAD No. | PIN Name | X | Y | PAD No. | PIN Name | X | Y | PAD No. | PIN Name | X | Y |
|---------|----------|---------|---------|---------|----------|---------|---------|---------|----------|---------|---------|
| 1 | DUMMY | -7292.5 | -256.62 | 33 | AVDD | -5372.5 | -256.62 | 65 | V20 | -3452.5 | -256.62 |
| 2 | DUMMY | -7232.5 | -256.62 | 34 | AVDD | -5312.5 | -256.62 | 66 | V20 | -3392.5 | -256.62 |
| 3 | VCOM | -7172.5 | -256.62 | 35 | AVDD | -5252.5 | -256.62 | 67 | DUMMY | -3332.5 | -256.62 |
| 4 | VCOM | -7112.5 | -256.62 | 36 | AVDD | -5192.5 | -256.62 | 68 | DUMMY | -3272.5 | -256.62 |
| 5 | VCOM | -7052.5 | -256.62 | 37 | AVDD | -5132.5 | -256.62 | 69 | DUMMY | -3212.5 | -256.62 |
| 6 | VCOM | -6992.5 | -256.62 | 38 | AVDD | -5072.5 | -256.62 | 70 | DUMMY | -3152.5 | -256.62 |
| 7 | VCOM | -6932.5 | -256.62 | 39 | AVCL | -5012.5 | -256.62 | 71 | DUMMY | -3092.5 | -256.62 |
| 8 | VCOM | -6872.5 | -256.62 | 40 | AVCL | -4952.5 | -256.62 | 72 | DUMMY | -3032.5 | -256.62 |
| 9 | VCOM | -6812.5 | -256.62 | 41 | AVCL | -4892.5 | -256.62 | 73 | DUMMY | -2972.5 | -256.62 |
| 10 | VCOM | -6752.5 | -256.62 | 42 | AVCL | -4832.5 | -256.62 | 74 | VDD | -2912.5 | -256.62 |
| 11 | DUMMY | -6692.5 | -256.62 | 43 | AVCL | -4772.5 | -256.62 | 75 | VDD | -2852.5 | -256.62 |
| 12 | VAG | -6632.5 | -256.62 | 44 | AVCL | -4712.5 | -256.62 | 76 | VDD | -2792.5 | -256.62 |
| 13 | VAG | -6572.5 | -256.62 | 45 | AVCL | -4652.5 | -256.62 | 77 | VDD | -2732.5 | -256.62 |
| 14 | VDDS | -6512.5 | -256.62 | 46 | VAN | -4592.5 | -256.62 | 78 | VDD | -2672.5 | -256.62 |
| 15 | VDDS | -6452.5 | -256.62 | 47 | VAN | -4532.5 | -256.62 | 79 | VDD | -2612.5 | -256.62 |
| 16 | VDDGX | -6392.5 | -256.62 | 48 | DUMMY | -4472.5 | -256.62 | 80 | VDD | -2552.5 | -256.62 |
| 17 | VDDGX | -6332.5 | -256.62 | 49 | DUMMY | -4412.5 | -256.62 | 81 | VDD | -2492.5 | -256.62 |
| 18 | DUMMY | -6272.5 | -256.62 | 50 | DUMMY | -4352.5 | -256.62 | 82 | AGND | -2432.5 | -256.62 |
| 19 | DUMMY | -6212.5 | -256.62 | 51 | DUMMY | -4292.5 | -256.62 | 83 | AGND | -2372.5 | -256.62 |
| 20 | DUMMY | -6152.5 | -256.62 | 52 | DUMMY | -4232.5 | -256.62 | 84 | AGND | -2312.5 | -256.62 |
| 21 | DUMMY | -6092.5 | -256.62 | 53 | DUMMY | -4172.5 | -256.62 | 85 | AGND | -2252.5 | -256.62 |
| 22 | DUMMY | -6032.5 | -256.62 | 54 | DUMMY | -4112.5 | -256.62 | 86 | AGND | -2192.5 | -256.62 |
| 23 | DUMMY | -5972.5 | -256.62 | 55 | DUMMY | -4052.5 | -256.62 | 87 | AGND | -2132.5 | -256.62 |
| 24 | DUMMY | -5912.5 | -256.62 | 56 | DUMMY | -3992.5 | -256.62 | 88 | AGND | -2072.5 | -256.62 |
| 25 | DUMMY | -5852.5 | -256.62 | 57 | DUMMY | -3932.5 | -256.62 | 89 | AGND | -2012.5 | -256.62 |
| 26 | VGL | -5792.5 | -256.62 | 58 | VAP | -3872.5 | -256.62 | 90 | AGND | -1952.5 | -256.62 |
| 27 | VGL | -5732.5 | -256.62 | 59 | VAP | -3812.5 | -256.62 | 91 | AGND | -1892.5 | -256.62 |
| 28 | VGL | -5672.5 | -256.62 | 60 | V20 | -3752.5 | -256.62 | 92 | AGND | -1832.5 | -256.62 |
| 29 | VGL | -5612.5 | -256.62 | 61 | V20 | -3692.5 | -256.62 | 93 | AGND | -1772.5 | -256.62 |
| 30 | VGL | -5552.5 | -256.62 | 62 | V20 | -3632.5 | -256.62 | 94 | AGND | -1712.5 | -256.62 |
| 31 | VGL | -5492.5 | -256.62 | 63 | V20 | -3572.5 | -256.62 | 95 | AGND | -1652.5 | -256.62 |
| 32 | AVDD | -5432.5 | -256.62 | 64 | V20 | -3512.5 | -256.62 | 96 | AGND | -1592.5 | -256.62 |

| PAD No. | PIN Name | X | Y | PAD No. | PIN Name | X | Y | PAD No. | PIN Name | X | Y |
|---------|----------|---------|---------|---------|----------|--------|---------|---------|----------|--------|---------|
| 97 | AGND | -1532.5 | -256.62 | 131 | DB4 | 645 | -256.62 | 165 | VDDI | 3272.5 | -256.62 |
| 98 | DGND | -1472.5 | -256.62 | 132 | DB5 | 730 | -256.62 | 166 | VDDI | 3332.5 | -256.62 |
| 99 | DGND | -1412.5 | -256.62 | 133 | DB6 | 815 | -256.62 | 167 | VDDI | 3392.5 | -256.62 |
| 100 | DGND | -1352.5 | -256.62 | 134 | DB7 | 900 | -256.62 | 168 | VDDI | 3452.5 | -256.62 |
| 101 | DGND | -1292.5 | -256.62 | 135 | DUMMY | 972.5 | -256.62 | 169 | VCC | 3512.5 | -256.62 |
| 102 | DGND | -1232.5 | -256.62 | 136 | DB8 | 1045 | -256.62 | 170 | VCC | 3572.5 | -256.62 |
| 103 | DGND | -1172.5 | -256.62 | 137 | DB9 | 1130 | -256.62 | 171 | VCC | 3632.5 | -256.62 |
| 104 | DGND | -1112.5 | -256.62 | 138 | DB10 | 1215 | -256.62 | 172 | VCC | 3692.5 | -256.62 |
| 105 | DGND | -1052.5 | -256.62 | 139 | DB11 | 1300 | -256.62 | 173 | VCC | 3752.5 | -256.62 |
| 106 | TEST3 | -992.5 | -256.62 | 140 | DUMMY | 1372.5 | -256.62 | 174 | VCC | 3812.5 | -256.62 |
| 107 | DUMMY | -932.5 | -256.62 | 141 | DB12 | 1445 | -256.62 | 175 | VCC | 3872.5 | -256.62 |
| 108 | DUMMY | -872.5 | -256.62 | 142 | DB13 | 1530 | -256.62 | 176 | VCC | 3932.5 | -256.62 |
| 109 | EXTC | -812.5 | -256.62 | 143 | DB14 | 1615 | -256.62 | 177 | VCC | 3992.5 | -256.62 |
| 110 | IM3 | -752.5 | -256.62 | 144 | DB15 | 1700 | -256.62 | 178 | VCC | 4052.5 | -256.62 |
| 111 | IM2 | -692.5 | -256.62 | 145 | DUMMY | 1772.5 | -256.62 | 179 | VCC | 4112.5 | -256.62 |
| 112 | IM1 | -632.5 | -256.62 | 146 | DB16 | 1845 | -256.62 | 180 | VCC | 4172.5 | -256.62 |
| 113 | IM0 | -572.5 | -256.62 | 147 | DB17 | 1930 | -256.62 | 181 | VCC | 4232.5 | -256.62 |
| 114 | RESX | -512.5 | -256.62 | 148 | TEST0 | 2002.5 | -256.62 | 182 | VCC | 4292.5 | -256.62 |
| 115 | CSX | -452.5 | -256.62 | 149 | TE | 2075 | -256.62 | 183 | DUMMY | 4352.5 | -256.62 |
| 116 | DCX | -392.5 | -256.62 | 150 | SDO | 2160 | -256.62 | 184 | VPP | 4412.5 | -256.62 |
| 117 | WRX | -332.5 | -256.62 | 151 | LED_PWM | 2245 | -256.62 | 185 | VPP | 4472.5 | -256.62 |
| 118 | RDX | -272.5 | -256.62 | 152 | LED_EN | 2330 | -256.62 | 186 | VPP | 4532.5 | -256.62 |
| 119 | TEST2 | -212.5 | -256.62 | 153 | VDDI_LED | 2402.5 | -256.62 | 187 | VPP | 4592.5 | -256.62 |
| 120 | VSYNC | -152.5 | -256.62 | 154 | VDDI_LED | 2462.5 | -256.62 | 188 | DUMMY | 4652.5 | -256.62 |
| 121 | HSYNC | -92.5 | -256.62 | 155 | TE2 | 2535 | -256.62 | 189 | DUMMY | 4712.5 | -256.62 |
| 122 | ENABLE | -32.5 | -256.62 | 156 | TESTO1 | 2620 | -256.62 | 190 | VGH | 4772.5 | -256.62 |
| 123 | DOTCLK | 27.5 | -256.62 | 157 | TESTO2 | 2705 | -256.62 | 191 | VGH | 4832.5 | -256.62 |
| 124 | DUMMY | 87.5 | -256.62 | 158 | TESTO3 | 2790 | -256.62 | 192 | VGH | 4892.5 | -256.62 |
| 125 | SDA | 160 | -256.62 | 159 | TESTO4 | 2875 | -256.62 | 193 | VGH | 4952.5 | -256.62 |
| 126 | DB0 | 245 | -256.62 | 160 | TESTO5 | 2960 | -256.62 | 194 | VGH | 5012.5 | -256.62 |
| 127 | DB1 | 330 | -256.62 | 161 | TESTO6 | 3032.5 | -256.62 | 195 | VGH | 5072.5 | -256.62 |
| 128 | DB2 | 415 | -256.62 | 162 | VDDI | 3092.5 | -256.62 | 196 | VGH | 5132.5 | -256.62 |
| 129 | DB3 | 500 | -256.62 | 163 | VDDI | 3152.5 | -256.62 | 197 | VGH | 5192.5 | -256.62 |
| 130 | TEST1 | 572.5 | -256.62 | 164 | VDDI | 3212.5 | -256.62 | 198 | DUMMY | 5252.5 | -256.62 |

| PAD No. | PIN Name | X | Y | PAD No. | PIN Name | X | Y | PAD No. | PIN Name | X | Y |
|---------|----------|--------|---------|---------|----------|------|--------|---------|----------|------|--------|
| 199 | DUMMY | 5312.5 | -256.62 | 233 | DUMMY | 7399 | 250.58 | 267 | G64 | 6923 | 250.58 |
| 200 | DUMMY | 5372.5 | -256.62 | 234 | DUMMY | 7385 | 119.58 | 268 | G66 | 6909 | 119.58 |
| 201 | DUMMY | 5432.5 | -256.62 | 235 | DUMMY | 7371 | 250.58 | 269 | G68 | 6895 | 250.58 |
| 202 | DUMMY | 5492.5 | -256.62 | 236 | G2 | 7357 | 119.58 | 270 | G70 | 6881 | 119.58 |
| 203 | DUMMY | 5552.5 | -256.62 | 237 | G4 | 7343 | 250.58 | 271 | G72 | 6867 | 250.58 |
| 204 | DUMMY | 5612.5 | -256.62 | 238 | G6 | 7329 | 119.58 | 272 | G74 | 6853 | 119.58 |
| 205 | DUMMY | 5672.5 | -256.62 | 239 | G8 | 7315 | 250.58 | 273 | G76 | 6839 | 250.58 |
| 206 | AGND | 5732.5 | -256.62 | 240 | G10 | 7301 | 119.58 | 274 | G78 | 6825 | 119.58 |
| 207 | AGND | 5792.5 | -256.62 | 241 | G12 | 7287 | 250.58 | 275 | G80 | 6811 | 250.58 |
| 208 | AGND | 5852.5 | -256.62 | 242 | G14 | 7273 | 119.58 | 276 | G82 | 6797 | 119.58 |
| 209 | AGND | 5912.5 | -256.62 | 243 | G16 | 7259 | 250.58 | 277 | G84 | 6783 | 250.58 |
| 210 | AGND | 5972.5 | -256.62 | 244 | G18 | 7245 | 119.58 | 278 | G86 | 6769 | 119.58 |
| 211 | AGND | 6032.5 | -256.62 | 245 | G20 | 7231 | 250.58 | 279 | G88 | 6755 | 250.58 |
| 212 | AGND | 6092.5 | -256.62 | 246 | G22 | 7217 | 119.58 | 280 | G90 | 6741 | 119.58 |
| 213 | AGND | 6152.5 | -256.62 | 247 | G24 | 7203 | 250.58 | 281 | G92 | 6727 | 250.58 |
| 214 | DUMMYR1 | 6212.5 | -256.62 | 248 | G26 | 7189 | 119.58 | 282 | G94 | 6713 | 119.58 |
| 215 | DUMMYR2 | 6272.5 | -256.62 | 249 | G28 | 7175 | 250.58 | 283 | G96 | 6699 | 250.58 |
| 216 | DUMMY | 6332.5 | -256.62 | 250 | G30 | 7161 | 119.58 | 284 | G98 | 6685 | 119.58 |
| 217 | DUMMY | 6392.5 | -256.62 | 251 | G32 | 7147 | 250.58 | 285 | G100 | 6671 | 250.58 |
| 218 | DUMMY | 6452.5 | -256.62 | 252 | G34 | 7133 | 119.58 | 286 | G102 | 6657 | 119.58 |
| 219 | DUMMY | 6512.5 | -256.62 | 253 | G36 | 7119 | 250.58 | 287 | G104 | 6643 | 250.58 |
| 220 | DUMMY | 6572.5 | -256.62 | 254 | G38 | 7105 | 119.58 | 288 | G106 | 6629 | 119.58 |
| 221 | DUMMY | 6632.5 | -256.62 | 255 | G40 | 7091 | 250.58 | 289 | G108 | 6615 | 250.58 |
| 222 | DUMMY | 6692.5 | -256.62 | 250.58 | G42 | 7077 | 119.58 | 290 | G110 | 6601 | 119.58 |
| 223 | VCOM | 6752.5 | -256.62 | 257 | G44 | 7063 | 250.58 | 291 | G112 | 6587 | 250.58 |
| 224 | VCOM | 6812.5 | -256.62 | 258 | G46 | 7049 | 119.58 | 292 | G114 | 6573 | 119.58 |
| 225 | VCOM | 6872.5 | -256.62 | 259 | G48 | 7035 | 250.58 | 293 | G116 | 6559 | 250.58 |
| 226 | VCOM | 6932.5 | -256.62 | 260 | G50 | 7021 | 119.58 | 294 | G118 | 6545 | 119.58 |
| 227 | VCOM | 6992.5 | -256.62 | 261 | G52 | 7007 | 250.58 | 295 | G120 | 6531 | 250.58 |
| 228 | VCOM | 7052.5 | -256.62 | 262 | G54 | 6993 | 119.58 | 296 | G122 | 6517 | 119.58 |
| 229 | VCOM | 7112.5 | -256.62 | 263 | G56 | 6979 | 250.58 | 297 | G124 | 6503 | 250.58 |
| 230 | VCOM | 7172.5 | -256.62 | 264 | G58 | 6965 | 119.58 | 298 | G126 | 6489 | 119.58 |
| 231 | DUMMY | 7232.5 | -256.62 | 265 | G60 | 6951 | 250.58 | 299 | G128 | 6475 | 250.58 |
| 232 | DUMMY | 7292.5 | -256.62 | 266 | G62 | 6937 | 119.58 | 300 | G130 | 6461 | 119.58 |

| PAD No. | PIN Name | X | Y | PAD No. | PIN Name | X | Y | PAD No. | PIN Name | X | Y |
|---------|----------|------|--------|---------|----------|------|--------|---------|----------|------|--------|
| 301 | G132 | 6447 | 250.58 | 335 | G200 | 5971 | 250.58 | 369 | G268 | 5495 | 250.58 |
| 302 | G134 | 6433 | 119.58 | 336 | G202 | 5957 | 119.58 | 370 | G270 | 5481 | 119.58 |
| 303 | G136 | 6419 | 250.58 | 337 | G204 | 5943 | 250.58 | 371 | G272 | 5467 | 250.58 |
| 304 | G138 | 6405 | 119.58 | 338 | G206 | 5929 | 119.58 | 372 | G274 | 5453 | 119.58 |
| 305 | G140 | 6391 | 250.58 | 339 | G208 | 5915 | 250.58 | 373 | G276 | 5439 | 250.58 |
| 306 | G142 | 6377 | 119.58 | 340 | G210 | 5901 | 119.58 | 374 | G278 | 5425 | 119.58 |
| 307 | G144 | 6363 | 250.58 | 341 | G212 | 5887 | 250.58 | 375 | G280 | 5411 | 250.58 |
| 308 | G146 | 6349 | 119.58 | 342 | G214 | 5873 | 119.58 | 376 | G282 | 5397 | 119.58 |
| 309 | G148 | 6335 | 250.58 | 343 | G216 | 5859 | 250.58 | 377 | G284 | 5383 | 250.58 |
| 310 | G150 | 6321 | 119.58 | 344 | G218 | 5845 | 119.58 | 378 | G286 | 5369 | 119.58 |
| 311 | G152 | 6307 | 250.58 | 345 | G220 | 5831 | 250.58 | 379 | G288 | 5355 | 250.58 |
| 312 | G154 | 6293 | 119.58 | 346 | G222 | 5817 | 119.58 | 380 | G290 | 5341 | 119.58 |
| 313 | G156 | 6279 | 250.58 | 347 | G224 | 5803 | 250.58 | 381 | G292 | 5327 | 250.58 |
| 314 | G158 | 6265 | 119.58 | 348 | G226 | 5789 | 119.58 | 382 | G294 | 5313 | 119.58 |
| 315 | G160 | 6251 | 250.58 | 349 | G228 | 5775 | 250.58 | 383 | G296 | 5299 | 250.58 |
| 316 | G162 | 6237 | 119.58 | 350 | G230 | 5761 | 119.58 | 384 | G298 | 5285 | 119.58 |
| 317 | G164 | 6223 | 250.58 | 351 | G232 | 5747 | 250.58 | 385 | G300 | 5271 | 250.58 |
| 318 | G166 | 6209 | 119.58 | 352 | G234 | 5733 | 119.58 | 386 | G302 | 5257 | 119.58 |
| 319 | G168 | 6195 | 250.58 | 353 | G236 | 5719 | 250.58 | 387 | G304 | 5243 | 250.58 |
| 320 | G170 | 6181 | 119.58 | 354 | G238 | 5705 | 119.58 | 388 | G306 | 5229 | 119.58 |
| 321 | G172 | 6167 | 250.58 | 355 | G240 | 5691 | 250.58 | 389 | G308 | 5215 | 250.58 |
| 322 | G174 | 6153 | 119.58 | 356 | G242 | 5677 | 119.58 | 390 | G310 | 5201 | 119.58 |
| 323 | G176 | 6139 | 250.58 | 357 | G244 | 5663 | 250.58 | 391 | G312 | 5187 | 250.58 |
| 324 | G178 | 6125 | 119.58 | 358 | G246 | 5649 | 119.58 | 392 | G314 | 5173 | 119.58 |
| 325 | G180 | 6111 | 250.58 | 359 | G248 | 5635 | 250.58 | 393 | G316 | 5159 | 250.58 |
| 326 | G182 | 6097 | 119.58 | 360 | G250 | 5621 | 119.58 | 394 | G318 | 5145 | 119.58 |
| 327 | G184 | 6083 | 250.58 | 361 | G252 | 5607 | 250.58 | 395 | G320 | 5131 | 250.58 |
| 328 | G186 | 6069 | 119.58 | 362 | G254 | 5593 | 119.58 | 396 | S720 | 5075 | 119.58 |
| 329 | G188 | 6055 | 250.58 | 363 | G256 | 5579 | 250.58 | 397 | S719 | 5061 | 250.58 |
| 330 | G190 | 6041 | 119.58 | 364 | G258 | 5565 | 119.58 | 398 | S718 | 5047 | 119.58 |
| 331 | G192 | 6027 | 250.58 | 365 | G260 | 5551 | 250.58 | 399 | S717 | 5033 | 250.58 |
| 332 | G194 | 6013 | 119.58 | 366 | G262 | 5537 | 119.58 | 400 | S716 | 5019 | 119.58 |
| 333 | G196 | 5999 | 250.58 | 367 | G264 | 5523 | 250.58 | 401 | S715 | 5005 | 250.58 |
| 334 | G198 | 5985 | 119.58 | 368 | G266 | 5509 | 119.58 | 402 | S714 | 4991 | 119.58 |

| PAD No. | PIN Name | X | Y | PAD No. | PIN Name | X | Y | PAD No. | PIN Name | X | Y |
|---------|----------|------|--------|---------|----------|------|--------|---------|----------|------|--------|
| 403 | S713 | 4977 | 250.58 | 437 | S679 | 4501 | 250.58 | 471 | S645 | 4025 | 250.58 |
| 404 | S712 | 4963 | 119.58 | 438 | S678 | 4487 | 119.58 | 472 | S644 | 4011 | 119.58 |
| 405 | S711 | 4949 | 250.58 | 439 | S677 | 4473 | 250.58 | 473 | S643 | 3997 | 250.58 |
| 406 | S710 | 4935 | 119.58 | 440 | S676 | 4459 | 119.58 | 474 | S642 | 3983 | 119.58 |
| 407 | S709 | 4921 | 250.58 | 441 | S675 | 4445 | 250.58 | 475 | S641 | 3969 | 250.58 |
| 408 | S708 | 4907 | 119.58 | 442 | S674 | 4431 | 119.58 | 476 | S640 | 3955 | 119.58 |
| 409 | S707 | 4893 | 250.58 | 443 | S673 | 4417 | 250.58 | 477 | S639 | 3941 | 250.58 |
| 410 | S706 | 4879 | 119.58 | 444 | S672 | 4403 | 119.58 | 478 | S638 | 3927 | 119.58 |
| 411 | S705 | 4865 | 250.58 | 445 | S671 | 4389 | 250.58 | 479 | S637 | 3913 | 250.58 |
| 412 | S704 | 4851 | 119.58 | 446 | S670 | 4375 | 119.58 | 480 | S636 | 3899 | 119.58 |
| 413 | S703 | 4837 | 250.58 | 447 | S669 | 4361 | 250.58 | 481 | S635 | 3885 | 250.58 |
| 414 | S702 | 4823 | 119.58 | 448 | S668 | 4347 | 119.58 | 482 | S634 | 3871 | 119.58 |
| 415 | S701 | 4809 | 250.58 | 449 | S667 | 4333 | 250.58 | 483 | S633 | 3857 | 250.58 |
| 416 | S700 | 4795 | 119.58 | 450 | S666 | 4319 | 119.58 | 484 | S632 | 3843 | 119.58 |
| 417 | S699 | 4781 | 250.58 | 451 | S665 | 4305 | 250.58 | 485 | S631 | 3829 | 250.58 |
| 418 | S698 | 4767 | 119.58 | 452 | S664 | 4291 | 119.58 | 486 | S630 | 3815 | 119.58 |
| 419 | S697 | 4753 | 250.58 | 453 | S663 | 4277 | 250.58 | 487 | S629 | 3801 | 250.58 |
| 420 | S696 | 4739 | 119.58 | 454 | S662 | 4263 | 119.58 | 488 | S628 | 3787 | 119.58 |
| 421 | S695 | 4725 | 250.58 | 455 | S661 | 4249 | 250.58 | 489 | S627 | 3773 | 250.58 |
| 422 | S694 | 4711 | 119.58 | 456 | S660 | 4235 | 119.58 | 490 | S626 | 3759 | 119.58 |
| 423 | S693 | 4697 | 250.58 | 457 | S659 | 4221 | 250.58 | 491 | S625 | 3745 | 250.58 |
| 424 | S692 | 4683 | 119.58 | 458 | S658 | 4207 | 119.58 | 492 | S624 | 3731 | 119.58 |
| 425 | S691 | 4669 | 250.58 | 459 | S657 | 4193 | 250.58 | 493 | S623 | 3717 | 250.58 |
| 426 | S690 | 4655 | 119.58 | 460 | S656 | 4179 | 119.58 | 494 | S622 | 3703 | 119.58 |
| 427 | S689 | 4641 | 250.58 | 461 | S655 | 4165 | 250.58 | 495 | S621 | 3689 | 250.58 |
| 428 | S688 | 4627 | 119.58 | 462 | S654 | 4151 | 119.58 | 496 | S620 | 3675 | 119.58 |
| 429 | S687 | 4613 | 250.58 | 463 | S653 | 4137 | 250.58 | 497 | S619 | 3661 | 250.58 |
| 430 | S686 | 4599 | 119.58 | 464 | S652 | 4123 | 119.58 | 498 | S618 | 3647 | 119.58 |
| 431 | S685 | 4585 | 250.58 | 465 | S651 | 4109 | 250.58 | 499 | S617 | 3633 | 250.58 |
| 432 | S684 | 4571 | 119.58 | 466 | S650 | 4095 | 119.58 | 500 | S616 | 3619 | 119.58 |
| 433 | S683 | 4557 | 250.58 | 467 | S649 | 4081 | 250.58 | 501 | S615 | 3605 | 250.58 |
| 434 | S682 | 4543 | 119.58 | 468 | S648 | 4067 | 119.58 | 502 | S614 | 3591 | 119.58 |
| 435 | S681 | 4529 | 250.58 | 469 | S647 | 4053 | 250.58 | 503 | S613 | 3577 | 250.58 |
| 436 | S680 | 4515 | 119.58 | 470 | S646 | 4039 | 119.58 | 504 | S612 | 3563 | 119.58 |

| PAD No. | PIN Name | X | Y | PAD No. | PIN Name | X | Y | PAD No. | PIN Name | X | Y |
|---------|----------|------|--------|---------|----------|------|--------|---------|----------|------|--------|
| 505 | S611 | 3549 | 250.58 | 539 | S577 | 3073 | 250.58 | 573 | S543 | 2597 | 250.58 |
| 506 | S610 | 3535 | 119.58 | 540 | S576 | 3059 | 119.58 | 574 | S542 | 2583 | 119.58 |
| 507 | S609 | 3521 | 250.58 | 541 | S575 | 3045 | 250.58 | 575 | S541 | 2569 | 250.58 |
| 508 | S608 | 3507 | 119.58 | 542 | S574 | 3031 | 119.58 | 576 | S540 | 2555 | 119.58 |
| 509 | S607 | 3493 | 250.58 | 543 | S573 | 3017 | 250.58 | 577 | S539 | 2541 | 250.58 |
| 510 | S606 | 3479 | 119.58 | 544 | S572 | 3003 | 119.58 | 578 | S538 | 2527 | 119.58 |
| 511 | S605 | 3465 | 250.58 | 545 | S571 | 2989 | 250.58 | 579 | S537 | 2513 | 250.58 |
| 512 | S604 | 3451 | 119.58 | 546 | S570 | 2975 | 119.58 | 580 | S536 | 2499 | 119.58 |
| 513 | S603 | 3437 | 250.58 | 547 | S569 | 2961 | 250.58 | 581 | S535 | 2485 | 250.58 |
| 514 | S602 | 3423 | 119.58 | 548 | S568 | 2947 | 119.58 | 582 | S534 | 2471 | 119.58 |
| 515 | S601 | 3409 | 250.58 | 549 | S567 | 2933 | 250.58 | 583 | S533 | 2457 | 250.58 |
| 516 | S600 | 3395 | 119.58 | 550 | S566 | 2919 | 119.58 | 584 | S532 | 2443 | 119.58 |
| 517 | S599 | 3381 | 250.58 | 551 | S565 | 2905 | 250.58 | 585 | S531 | 2429 | 250.58 |
| 518 | S598 | 3367 | 119.58 | 552 | S564 | 2891 | 119.58 | 586 | S530 | 2415 | 119.58 |
| 519 | S597 | 3353 | 250.58 | 553 | S563 | 2877 | 250.58 | 587 | S529 | 2401 | 250.58 |
| 520 | S596 | 3339 | 119.58 | 554 | S562 | 2863 | 119.58 | 588 | S528 | 2387 | 119.58 |
| 521 | S595 | 3325 | 250.58 | 555 | S561 | 2849 | 250.58 | 589 | S527 | 2373 | 250.58 |
| 522 | S594 | 3311 | 119.58 | 556 | S560 | 2835 | 119.58 | 590 | S526 | 2359 | 119.58 |
| 523 | S593 | 3297 | 250.58 | 557 | S559 | 2821 | 250.58 | 591 | S525 | 2345 | 250.58 |
| 524 | S592 | 3283 | 119.58 | 558 | S558 | 2807 | 119.58 | 592 | S524 | 2331 | 119.58 |
| 525 | S591 | 3269 | 250.58 | 559 | S557 | 2793 | 250.58 | 593 | S523 | 2317 | 250.58 |
| 526 | S590 | 3255 | 119.58 | 560 | S556 | 2779 | 119.58 | 594 | S522 | 2303 | 119.58 |
| 527 | S589 | 3241 | 250.58 | 561 | S555 | 2765 | 250.58 | 595 | S521 | 2289 | 250.58 |
| 528 | S588 | 3227 | 119.58 | 562 | S554 | 2751 | 119.58 | 596 | S520 | 2275 | 119.58 |
| 529 | S587 | 3213 | 250.58 | 563 | S553 | 2737 | 250.58 | 597 | S519 | 2261 | 250.58 |
| 530 | S586 | 3199 | 119.58 | 564 | S552 | 2723 | 119.58 | 598 | S518 | 2247 | 119.58 |
| 531 | S585 | 3185 | 250.58 | 565 | S551 | 2709 | 250.58 | 599 | S517 | 2233 | 250.58 |
| 532 | S584 | 3171 | 119.58 | 566 | S550 | 2695 | 119.58 | 600 | S516 | 2219 | 119.58 |
| 533 | S583 | 3157 | 250.58 | 567 | S549 | 2681 | 250.58 | 601 | S515 | 2205 | 250.58 |
| 534 | S582 | 3143 | 119.58 | 568 | S548 | 2667 | 119.58 | 602 | S514 | 2191 | 119.58 |
| 535 | S581 | 3129 | 250.58 | 569 | S547 | 2653 | 250.58 | 603 | S513 | 2177 | 250.58 |
| 536 | S580 | 3115 | 119.58 | 570 | S546 | 2639 | 119.58 | 604 | S512 | 2163 | 119.58 |
| 537 | S579 | 3101 | 250.58 | 571 | S545 | 2625 | 250.58 | 605 | S511 | 2149 | 250.58 |
| 538 | S578 | 3087 | 119.58 | 572 | S544 | 2611 | 119.58 | 606 | S510 | 2135 | 119.58 |

| PAD No. | PIN Name | X | Y | PAD No. | PIN Name | X | Y | PAD No. | PIN Name | X | Y |
|---------|----------|------|--------|---------|----------|------|--------|---------|----------|------|--------|
| 607 | S509 | 2121 | 250.58 | 641 | S475 | 1645 | 250.58 | 675 | S441 | 1169 | 250.58 |
| 608 | S508 | 2107 | 119.58 | 642 | S474 | 1631 | 119.58 | 676 | S440 | 1155 | 119.58 |
| 609 | S507 | 2093 | 250.58 | 643 | S473 | 1617 | 250.58 | 677 | S439 | 1141 | 250.58 |
| 610 | S506 | 2079 | 119.58 | 644 | S472 | 1603 | 119.58 | 678 | S438 | 1127 | 119.58 |
| 611 | S505 | 2065 | 250.58 | 645 | S471 | 1589 | 250.58 | 679 | S437 | 1113 | 250.58 |
| 612 | S504 | 2051 | 119.58 | 646 | S470 | 1575 | 119.58 | 680 | S436 | 1099 | 119.58 |
| 613 | S503 | 2037 | 250.58 | 647 | S469 | 1561 | 250.58 | 681 | S435 | 1085 | 250.58 |
| 614 | S502 | 2023 | 119.58 | 648 | S468 | 1547 | 119.58 | 682 | S434 | 1071 | 119.58 |
| 615 | S501 | 2009 | 250.58 | 649 | S467 | 1533 | 250.58 | 683 | S433 | 1057 | 250.58 |
| 616 | S500 | 1995 | 119.58 | 650 | S466 | 1519 | 119.58 | 684 | S432 | 1043 | 119.58 |
| 617 | S499 | 1981 | 250.58 | 651 | S465 | 1505 | 250.58 | 685 | S431 | 1029 | 250.58 |
| 618 | S498 | 1967 | 119.58 | 652 | S464 | 1491 | 119.58 | 686 | S430 | 1015 | 119.58 |
| 619 | S497 | 1953 | 250.58 | 653 | S463 | 1477 | 250.58 | 687 | S429 | 1001 | 250.58 |
| 620 | S496 | 1939 | 119.58 | 654 | S462 | 1463 | 119.58 | 688 | S428 | 987 | 119.58 |
| 621 | S495 | 1925 | 250.58 | 655 | S461 | 1449 | 250.58 | 689 | S427 | 973 | 250.58 |
| 622 | S494 | 1911 | 119.58 | 656 | S460 | 1435 | 119.58 | 690 | S426 | 959 | 119.58 |
| 623 | S493 | 1897 | 250.58 | 657 | S459 | 1421 | 250.58 | 691 | S425 | 945 | 250.58 |
| 624 | S492 | 1883 | 119.58 | 658 | S458 | 1407 | 119.58 | 692 | S424 | 931 | 119.58 |
| 625 | S491 | 1869 | 250.58 | 659 | S457 | 1393 | 250.58 | 693 | S423 | 917 | 250.58 |
| 626 | S490 | 1855 | 119.58 | 660 | S456 | 1379 | 119.58 | 694 | S422 | 903 | 119.58 |
| 627 | S489 | 1841 | 250.58 | 661 | S455 | 1365 | 250.58 | 695 | S421 | 889 | 250.58 |
| 628 | S488 | 1827 | 119.58 | 662 | S454 | 1351 | 119.58 | 696 | S420 | 875 | 119.58 |
| 629 | S487 | 1813 | 250.58 | 663 | S453 | 1337 | 250.58 | 697 | S419 | 861 | 250.58 |
| 630 | S486 | 1799 | 119.58 | 664 | S452 | 1323 | 119.58 | 698 | S418 | 847 | 119.58 |
| 631 | S485 | 1785 | 250.58 | 665 | S451 | 1309 | 250.58 | 699 | S417 | 833 | 250.58 |
| 632 | S484 | 1771 | 119.58 | 666 | S450 | 1295 | 119.58 | 700 | S416 | 819 | 119.58 |
| 633 | S483 | 1757 | 250.58 | 667 | S449 | 1281 | 250.58 | 701 | S415 | 805 | 250.58 |
| 634 | S482 | 1743 | 119.58 | 668 | S448 | 1267 | 119.58 | 702 | S414 | 791 | 119.58 |
| 635 | S481 | 1729 | 250.58 | 669 | S447 | 1253 | 250.58 | 703 | S413 | 777 | 250.58 |
| 636 | S480 | 1715 | 119.58 | 670 | S446 | 1239 | 119.58 | 704 | S412 | 763 | 119.58 |
| 637 | S479 | 1701 | 250.58 | 671 | S445 | 1225 | 250.58 | 705 | S411 | 749 | 250.58 |
| 638 | S478 | 1687 | 119.58 | 672 | S444 | 1211 | 119.58 | 706 | S410 | 735 | 119.58 |
| 639 | S477 | 1673 | 250.58 | 673 | S443 | 1197 | 250.58 | 707 | S409 | 721 | 250.58 |
| 640 | S476 | 1659 | 119.58 | 674 | S442 | 1183 | 119.58 | 708 | S408 | 707 | 119.58 |

| PAD No. | PIN Name | X | Y | PAD No. | PIN Name | X | Y | PAD No. | PIN Name | X | Y |
|---------|----------|-----|--------|---------|----------|------|--------|---------|----------|------|--------|
| 709 | S407 | 693 | 250.58 | 743 | S373 | 217 | 250.58 | 777 | S339 | -343 | 250.58 |
| 710 | S406 | 679 | 119.58 | 744 | S372 | 203 | 119.58 | 778 | S338 | -357 | 119.58 |
| 711 | S405 | 665 | 250.58 | 745 | S371 | 189 | 250.58 | 779 | S337 | -371 | 250.58 |
| 712 | S404 | 651 | 119.58 | 746 | S370 | 175 | 119.58 | 780 | S336 | -385 | 119.58 |
| 713 | S403 | 637 | 250.58 | 747 | S369 | 161 | 250.58 | 781 | S335 | -399 | 250.58 |
| 714 | S402 | 623 | 119.58 | 748 | S368 | 147 | 119.58 | 782 | S334 | -413 | 119.58 |
| 715 | S401 | 609 | 250.58 | 749 | S367 | 133 | 250.58 | 783 | S333 | -427 | 250.58 |
| 716 | S400 | 595 | 119.58 | 750 | S366 | 119 | 119.58 | 784 | S332 | -441 | 119.58 |
| 717 | S399 | 581 | 250.58 | 751 | S365 | 105 | 250.58 | 785 | S331 | -455 | 250.58 |
| 718 | S398 | 567 | 119.58 | 752 | S364 | 91 | 119.58 | 786 | S330 | -469 | 119.58 |
| 719 | S397 | 553 | 250.58 | 753 | S363 | 77 | 250.58 | 787 | S329 | -483 | 250.58 |
| 720 | S396 | 539 | 119.58 | 754 | S362 | 63 | 119.58 | 788 | S328 | -497 | 119.58 |
| 721 | S395 | 525 | 250.58 | 755 | S361 | 49 | 250.58 | 789 | S327 | -511 | 250.58 |
| 722 | S394 | 511 | 119.58 | 756 | S360 | -49 | 119.58 | 790 | S326 | -525 | 119.58 |
| 723 | S393 | 497 | 250.58 | 757 | S359 | -63 | 250.58 | 791 | S325 | -539 | 250.58 |
| 724 | S392 | 483 | 119.58 | 758 | S358 | -77 | 119.58 | 792 | S324 | -553 | 119.58 |
| 725 | S391 | 469 | 250.58 | 759 | S357 | -91 | 250.58 | 793 | S323 | -567 | 250.58 |
| 726 | S390 | 455 | 119.58 | 760 | S356 | -105 | 119.58 | 794 | S322 | -581 | 119.58 |
| 727 | S389 | 441 | 250.58 | 761 | S355 | -119 | 250.58 | 795 | S321 | -595 | 250.58 |
| 728 | S388 | 427 | 119.58 | 762 | S354 | -133 | 119.58 | 796 | S320 | -609 | 119.58 |
| 729 | S387 | 413 | 250.58 | 763 | S353 | -147 | 250.58 | 797 | S319 | -623 | 250.58 |
| 730 | S386 | 399 | 119.58 | 764 | S352 | -161 | 119.58 | 798 | S318 | -637 | 119.58 |
| 731 | S385 | 385 | 250.58 | 765 | S351 | -175 | 250.58 | 799 | S317 | -651 | 250.58 |
| 732 | S384 | 371 | 119.58 | 766 | S350 | -189 | 119.58 | 800 | S316 | -665 | 119.58 |
| 733 | S383 | 357 | 250.58 | 767 | S349 | -203 | 250.58 | 801 | S315 | -679 | 250.58 |
| 734 | S382 | 343 | 119.58 | 768 | S348 | -217 | 119.58 | 802 | S314 | -693 | 119.58 |
| 735 | S381 | 329 | 250.58 | 769 | S347 | -231 | 250.58 | 803 | S313 | -707 | 250.58 |
| 736 | S380 | 315 | 119.58 | 770 | S346 | -245 | 119.58 | 804 | S312 | -721 | 119.58 |
| 737 | S379 | 301 | 250.58 | 771 | S345 | -259 | 250.58 | 805 | S311 | -735 | 250.58 |
| 738 | S378 | 287 | 119.58 | 772 | S344 | -273 | 119.58 | 806 | S310 | -749 | 119.58 |
| 739 | S377 | 273 | 250.58 | 773 | S343 | -287 | 250.58 | 807 | S309 | -763 | 250.58 |
| 740 | S376 | 259 | 119.58 | 774 | S342 | -301 | 119.58 | 808 | S308 | -777 | 119.58 |
| 741 | S375 | 245 | 250.58 | 775 | S341 | -315 | 250.58 | 809 | S307 | -791 | 250.58 |
| 742 | S374 | 231 | 119.58 | 776 | S340 | -329 | 119.58 | 810 | S306 | -805 | 119.58 |

| PAD No. | PIN Name | X | Y | PAD No. | PIN Name | X | Y | PAD No. | PIN Name | X | Y |
|---------|----------|-------|--------|---------|----------|-------|--------|---------|----------|-------|--------|
| 811 | S305 | -819 | 250.58 | 845 | S271 | -1295 | 250.58 | 879 | S237 | -1771 | 250.58 |
| 812 | S304 | -833 | 119.58 | 846 | S270 | -1309 | 119.58 | 880 | S236 | -1785 | 119.58 |
| 813 | S303 | -847 | 250.58 | 847 | S269 | -1323 | 250.58 | 881 | S235 | -1799 | 250.58 |
| 814 | S302 | -861 | 119.58 | 848 | S268 | -1337 | 119.58 | 882 | S234 | -1813 | 119.58 |
| 815 | S301 | -875 | 250.58 | 849 | S267 | -1351 | 250.58 | 883 | S233 | -1827 | 250.58 |
| 816 | S300 | -889 | 119.58 | 850 | S266 | -1365 | 119.58 | 884 | S232 | -1841 | 119.58 |
| 817 | S299 | -903 | 250.58 | 851 | S265 | -1379 | 250.58 | 885 | S231 | -1855 | 250.58 |
| 818 | S298 | -917 | 119.58 | 852 | S264 | -1393 | 119.58 | 886 | S230 | -1869 | 119.58 |
| 819 | S297 | -931 | 250.58 | 853 | S263 | -1407 | 250.58 | 887 | S229 | -1883 | 250.58 |
| 820 | S296 | -945 | 119.58 | 854 | S262 | -1421 | 119.58 | 888 | S228 | -1897 | 119.58 |
| 821 | S295 | -959 | 250.58 | 855 | S261 | -1435 | 250.58 | 889 | S227 | -1911 | 250.58 |
| 822 | S294 | -973 | 119.58 | 856 | S260 | -1449 | 119.58 | 890 | S226 | -1925 | 119.58 |
| 823 | S293 | -987 | 250.58 | 857 | S259 | -1463 | 250.58 | 891 | S225 | -1939 | 250.58 |
| 824 | S292 | -1001 | 119.58 | 858 | S258 | -1477 | 119.58 | 892 | S224 | -1953 | 119.58 |
| 825 | S291 | -1015 | 250.58 | 859 | S257 | -1491 | 250.58 | 893 | S223 | -1967 | 250.58 |
| 826 | S290 | -1029 | 119.58 | 860 | S256 | -1505 | 119.58 | 894 | S222 | -1981 | 119.58 |
| 827 | S289 | -1043 | 250.58 | 861 | S255 | -1519 | 250.58 | 895 | S221 | -1995 | 250.58 |
| 828 | S288 | -1057 | 119.58 | 862 | S254 | -1533 | 119.58 | 896 | S220 | -2009 | 119.58 |
| 829 | S287 | -1071 | 250.58 | 863 | S253 | -1547 | 250.58 | 897 | S219 | -2023 | 250.58 |
| 830 | S286 | -1085 | 119.58 | 864 | S252 | -1561 | 119.58 | 898 | S218 | -2037 | 119.58 |
| 831 | S285 | -1099 | 250.58 | 865 | S251 | -1575 | 250.58 | 899 | S217 | -2051 | 250.58 |
| 832 | S284 | -1113 | 119.58 | 866 | S250 | -1589 | 119.58 | 900 | S216 | -2065 | 119.58 |
| 833 | S283 | -1127 | 250.58 | 867 | S249 | -1603 | 250.58 | 901 | S215 | -2079 | 250.58 |
| 834 | S282 | -1141 | 119.58 | 868 | S248 | -1617 | 119.58 | 902 | S214 | -2093 | 119.58 |
| 835 | S281 | -1155 | 250.58 | 869 | S247 | -1631 | 250.58 | 903 | S213 | -2107 | 250.58 |
| 836 | S280 | -1169 | 119.58 | 870 | S246 | -1645 | 119.58 | 904 | S212 | -2121 | 119.58 |
| 837 | S279 | -1183 | 250.58 | 871 | S245 | -1659 | 250.58 | 905 | S211 | -2135 | 250.58 |
| 838 | S278 | -1197 | 119.58 | 872 | S244 | -1673 | 119.58 | 906 | S210 | -2149 | 119.58 |
| 839 | S277 | -1211 | 250.58 | 873 | S243 | -1687 | 250.58 | 907 | S209 | -2163 | 250.58 |
| 840 | S276 | -1225 | 119.58 | 874 | S242 | -1701 | 119.58 | 908 | S208 | -2177 | 119.58 |
| 841 | S275 | -1239 | 250.58 | 875 | S241 | -1715 | 250.58 | 909 | S207 | -2191 | 250.58 |
| 842 | S274 | -1253 | 119.58 | 876 | S240 | -1729 | 119.58 | 910 | S206 | -2205 | 119.58 |
| 843 | S273 | -1267 | 250.58 | 877 | S239 | -1743 | 250.58 | 911 | S205 | -2219 | 250.58 |
| 844 | S272 | -1281 | 119.58 | 878 | S238 | -1757 | 119.58 | 912 | S204 | -2233 | 119.58 |

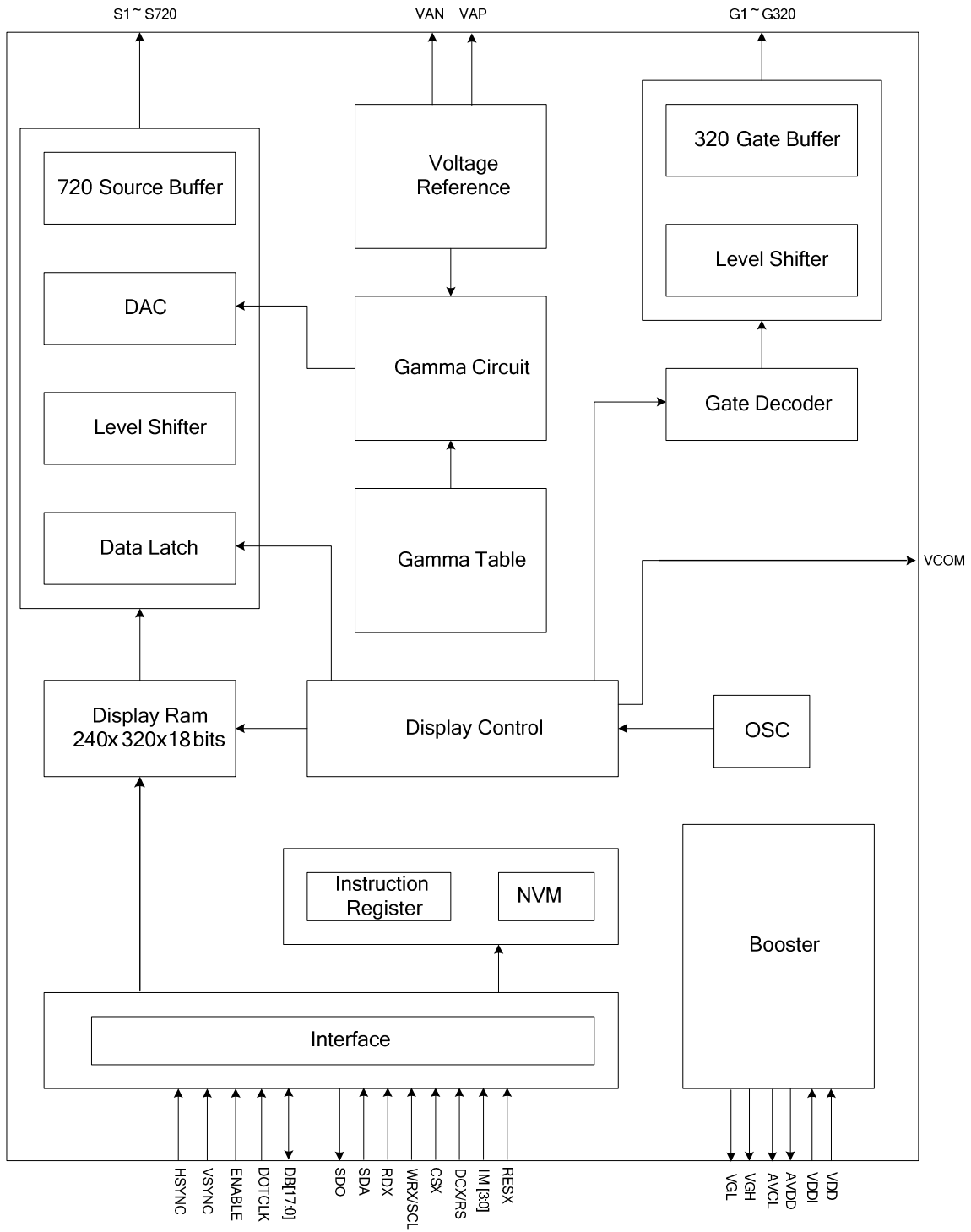
| PAD No. | PIN Name | X | Y | PAD No. | PIN Name | X | Y | PAD No. | PIN Name | X | Y |
|---------|----------|-------|--------|---------|----------|-------|--------|---------|----------|-------|--------|
| 913 | S203 | -2247 | 250.58 | 947 | S169 | -2723 | 250.58 | 981 | S135 | -3199 | 250.58 |
| 914 | S202 | -2261 | 119.58 | 948 | S168 | -2737 | 119.58 | 982 | S134 | -3213 | 119.58 |
| 915 | S201 | -2275 | 250.58 | 949 | S167 | -2751 | 250.58 | 983 | S133 | -3227 | 250.58 |
| 916 | S200 | -2289 | 119.58 | 950 | S166 | -2765 | 119.58 | 984 | S132 | -3241 | 119.58 |
| 917 | S199 | -2303 | 250.58 | 951 | S165 | -2779 | 250.58 | 985 | S131 | -3255 | 250.58 |
| 918 | S198 | -2317 | 119.58 | 952 | S164 | -2793 | 119.58 | 986 | S130 | -3269 | 119.58 |
| 919 | S197 | -2331 | 250.58 | 953 | S163 | -2807 | 250.58 | 987 | S129 | -3283 | 250.58 |
| 920 | S196 | -2345 | 119.58 | 954 | S162 | -2821 | 119.58 | 988 | S128 | -3297 | 119.58 |
| 921 | S195 | -2359 | 250.58 | 955 | S161 | -2835 | 250.58 | 989 | S127 | -3311 | 250.58 |
| 922 | S194 | -2373 | 119.58 | 956 | S160 | -2849 | 119.58 | 990 | S126 | -3325 | 119.58 |
| 923 | S193 | -2387 | 250.58 | 957 | S159 | -2863 | 250.58 | 991 | S125 | -3339 | 250.58 |
| 924 | S192 | -2401 | 119.58 | 958 | S158 | -2877 | 119.58 | 992 | S124 | -3353 | 119.58 |
| 925 | S191 | -2415 | 250.58 | 959 | S157 | -2891 | 250.58 | 993 | S123 | -3367 | 250.58 |
| 926 | S190 | -2429 | 119.58 | 960 | S156 | -2905 | 119.58 | 994 | S122 | -3381 | 119.58 |
| 927 | S189 | -2443 | 250.58 | 961 | S155 | -2919 | 250.58 | 995 | S121 | -3395 | 250.58 |
| 928 | S188 | -2457 | 119.58 | 962 | S154 | -2933 | 119.58 | 996 | S120 | -3409 | 119.58 |
| 929 | S187 | -2471 | 250.58 | 963 | S153 | -2947 | 250.58 | 997 | S119 | -3423 | 250.58 |
| 930 | S186 | -2485 | 119.58 | 964 | S152 | -2961 | 119.58 | 998 | S118 | -3437 | 119.58 |
| 931 | S185 | -2499 | 250.58 | 965 | S151 | -2975 | 250.58 | 999 | S117 | -3451 | 250.58 |
| 932 | S184 | -2513 | 119.58 | 966 | S150 | -2989 | 119.58 | 1000 | S116 | -3465 | 119.58 |
| 933 | S183 | -2527 | 250.58 | 967 | S149 | -3003 | 250.58 | 1001 | S115 | -3479 | 250.58 |
| 934 | S182 | -2541 | 119.58 | 968 | S148 | -3017 | 119.58 | 1002 | S114 | -3493 | 119.58 |
| 935 | S181 | -2555 | 250.58 | 969 | S147 | -3031 | 250.58 | 1003 | S113 | -3507 | 250.58 |
| 936 | S180 | -2569 | 119.58 | 970 | S146 | -3045 | 119.58 | 1004 | S112 | -3521 | 119.58 |
| 937 | S179 | -2583 | 250.58 | 971 | S145 | -3059 | 250.58 | 1005 | S111 | -3535 | 250.58 |
| 938 | S178 | -2597 | 119.58 | 972 | S144 | -3073 | 119.58 | 1006 | S110 | -3549 | 119.58 |
| 939 | S177 | -2611 | 250.58 | 973 | S143 | -3087 | 250.58 | 1007 | S109 | -3563 | 250.58 |
| 940 | S176 | -2625 | 119.58 | 974 | S142 | -3101 | 119.58 | 1008 | S108 | -3577 | 119.58 |
| 941 | S175 | -2639 | 250.58 | 975 | S141 | -3115 | 250.58 | 1009 | S107 | -3591 | 250.58 |
| 942 | S174 | -2653 | 119.58 | 976 | S140 | -3129 | 119.58 | 1010 | S106 | -3605 | 119.58 |
| 943 | S173 | -2667 | 250.58 | 977 | S139 | -3143 | 250.58 | 1011 | S105 | -3619 | 250.58 |
| 944 | S172 | -2681 | 119.58 | 978 | S138 | -3157 | 119.58 | 1012 | S104 | -3633 | 119.58 |
| 945 | S171 | -2695 | 250.58 | 979 | S137 | -3171 | 250.58 | 1013 | S103 | -3647 | 250.58 |
| 946 | S170 | -2709 | 119.58 | 980 | S136 | -3185 | 119.58 | 1014 | S102 | -3661 | 119.58 |

| PAD No. | PIN Name | X | Y | PAD No. | PIN Name | X | Y | PAD No. | PIN Name | X | Y |
|---------|----------|-------|--------|---------|----------|-------|--------|---------|----------|-------|--------|
| 1015 | S101 | -3675 | 250.58 | 1049 | S67 | -4151 | 250.58 | 1083 | S33 | -4627 | 250.58 |
| 1016 | S100 | -3689 | 119.58 | 1050 | S66 | -4165 | 119.58 | 1084 | S32 | -4641 | 119.58 |
| 1017 | S99 | -3703 | 250.58 | 1051 | S65 | -4179 | 250.58 | 1085 | S31 | -4655 | 250.58 |
| 1018 | S98 | -3717 | 119.58 | 1052 | S64 | -4193 | 119.58 | 1086 | S30 | -4669 | 119.58 |
| 1019 | S97 | -3731 | 250.58 | 1053 | S63 | -4207 | 250.58 | 1087 | S29 | -4683 | 250.58 |
| 1020 | S96 | -3745 | 119.58 | 1054 | S62 | -4221 | 119.58 | 1088 | S28 | -4697 | 119.58 |
| 1021 | S95 | -3759 | 250.58 | 1055 | S61 | -4235 | 250.58 | 1089 | S27 | -4711 | 250.58 |
| 1022 | S94 | -3773 | 119.58 | 1056 | S60 | -4249 | 119.58 | 1090 | S26 | -4725 | 119.58 |
| 1023 | S93 | -3787 | 250.58 | 1057 | S59 | -4263 | 250.58 | 1091 | S25 | -4739 | 250.58 |
| 1024 | S92 | -3801 | 119.58 | 1058 | S58 | -4277 | 119.58 | 1092 | S24 | -4753 | 119.58 |
| 1025 | S91 | -3815 | 250.58 | 1059 | S57 | -4291 | 250.58 | 1093 | S23 | -4767 | 250.58 |
| 1026 | S90 | -3829 | 119.58 | 1060 | S56 | -4305 | 119.58 | 1094 | S22 | -4781 | 119.58 |
| 1027 | S89 | -3843 | 250.58 | 1061 | S55 | -4319 | 250.58 | 1095 | S21 | -4795 | 250.58 |
| 1028 | S88 | -3857 | 119.58 | 1062 | S54 | -4333 | 119.58 | 1096 | S20 | -4809 | 119.58 |
| 1029 | S87 | -3871 | 250.58 | 1063 | S53 | -4347 | 250.58 | 1097 | S19 | -4823 | 250.58 |
| 1030 | S86 | -3885 | 119.58 | 1064 | S52 | -4361 | 119.58 | 1098 | S18 | -4837 | 119.58 |
| 1031 | S85 | -3899 | 250.58 | 1065 | S51 | -4375 | 250.58 | 1099 | S17 | -4851 | 250.58 |
| 1032 | S84 | -3913 | 119.58 | 1066 | S50 | -4389 | 119.58 | 1100 | S16 | -4865 | 119.58 |
| 1033 | S83 | -3927 | 250.58 | 1067 | S49 | -4403 | 250.58 | 1101 | S15 | -4879 | 250.58 |
| 1034 | S82 | -3941 | 119.58 | 1068 | S48 | -4417 | 119.58 | 1102 | S14 | -4893 | 119.58 |
| 1035 | S81 | -3955 | 250.58 | 1069 | S47 | -4431 | 250.58 | 1103 | S13 | -4907 | 250.58 |
| 1036 | S80 | -3969 | 119.58 | 1070 | S46 | -4445 | 119.58 | 1104 | S12 | -4921 | 119.58 |
| 1037 | S79 | -3983 | 250.58 | 1071 | S45 | -4459 | 250.58 | 1105 | S11 | -4935 | 250.58 |
| 1038 | S78 | -3997 | 119.58 | 1072 | S44 | -4473 | 119.58 | 1106 | S10 | -4949 | 119.58 |
| 1039 | S77 | -4011 | 250.58 | 1073 | S43 | -4487 | 250.58 | 1107 | S9 | -4963 | 250.58 |
| 1040 | S76 | -4025 | 119.58 | 1074 | S42 | -4501 | 119.58 | 1108 | S8 | -4977 | 119.58 |
| 1041 | S75 | -4039 | 250.58 | 1075 | S41 | -4515 | 250.58 | 1109 | S7 | -4991 | 250.58 |
| 1042 | S74 | -4053 | 119.58 | 1076 | S40 | -4529 | 119.58 | 1110 | S6 | -5005 | 119.58 |
| 1043 | S73 | -4067 | 250.58 | 1077 | S39 | -4543 | 250.58 | 1111 | S5 | -5019 | 250.58 |
| 1044 | S72 | -4081 | 119.58 | 1078 | S38 | -4557 | 119.58 | 1112 | S4 | -5033 | 119.58 |
| 1045 | S71 | -4095 | 250.58 | 1079 | S37 | -4571 | 250.58 | 1113 | S3 | -5047 | 250.58 |
| 1046 | S70 | -4109 | 119.58 | 1080 | S36 | -4585 | 119.58 | 1114 | S2 | -5061 | 119.58 |
| 1047 | S69 | -4123 | 250.58 | 1081 | S35 | -4599 | 250.58 | 1115 | S1 | -5075 | 250.58 |
| 1048 | S68 | -4137 | 119.58 | 1082 | S34 | -4613 | 119.58 | 1116 | G319 | -5131 | 119.58 |

| PAD No. | PIN Name | X | Y | PAD No. | PIN Name | X | Y | PAD No. | PIN Name | X | Y |
|---------|----------|-------|--------|---------|----------|-------|--------|---------|----------|-------|--------|
| 1117 | G317 | -5145 | 250.58 | 1151 | G249 | -5621 | 250.58 | 1185 | G181 | -6097 | 250.58 |
| 1118 | G315 | -5159 | 119.58 | 1152 | G247 | -5635 | 119.58 | 1186 | G179 | -6111 | 119.58 |
| 1119 | G313 | -5173 | 250.58 | 1153 | G245 | -5649 | 250.58 | 1187 | G177 | -6125 | 250.58 |
| 1120 | G311 | -5187 | 119.58 | 1154 | G243 | -5663 | 119.58 | 1188 | G175 | -6139 | 119.58 |
| 1121 | G309 | -5201 | 250.58 | 1155 | G241 | -5677 | 250.58 | 1189 | G173 | -6153 | 250.58 |
| 1122 | G307 | -5215 | 119.58 | 1156 | G239 | -5691 | 119.58 | 1190 | G171 | -6167 | 119.58 |
| 1123 | G305 | -5229 | 250.58 | 1157 | G237 | -5705 | 250.58 | 1191 | G169 | -6181 | 250.58 |
| 1124 | G303 | -5243 | 119.58 | 1158 | G235 | -5719 | 119.58 | 1192 | G167 | -6195 | 119.58 |
| 1125 | G301 | -5257 | 250.58 | 1159 | G233 | -5733 | 250.58 | 1193 | G165 | -6209 | 250.58 |
| 1126 | G299 | -5271 | 119.58 | 1160 | G231 | -5747 | 119.58 | 1194 | G163 | -6223 | 119.58 |
| 1127 | G297 | -5285 | 250.58 | 1161 | G229 | -5761 | 250.58 | 1195 | G161 | -6237 | 250.58 |
| 1128 | G295 | -5299 | 119.58 | 1162 | G227 | -5775 | 119.58 | 1196 | G159 | -6251 | 119.58 |
| 1129 | G293 | -5313 | 250.58 | 1163 | G225 | -5789 | 250.58 | 1197 | G157 | -6265 | 250.58 |
| 1130 | G291 | -5327 | 119.58 | 1164 | G223 | -5803 | 119.58 | 1198 | G155 | -6279 | 119.58 |
| 1131 | G289 | -5341 | 250.58 | 1165 | G221 | -5817 | 250.58 | 1199 | G153 | -6293 | 250.58 |
| 1132 | G287 | -5355 | 119.58 | 1166 | G219 | -5831 | 119.58 | 1200 | G151 | -6307 | 119.58 |
| 1133 | G285 | -5369 | 250.58 | 1167 | G217 | -5845 | 250.58 | 1201 | G149 | -6321 | 250.58 |
| 1134 | G283 | -5383 | 119.58 | 1168 | G215 | -5859 | 119.58 | 1202 | G147 | -6335 | 119.58 |
| 1135 | G281 | -5397 | 250.58 | 1169 | G213 | -5873 | 250.58 | 1203 | G145 | -6349 | 250.58 |
| 1136 | G279 | -5411 | 119.58 | 1170 | G211 | -5887 | 119.58 | 1204 | G143 | -6363 | 119.58 |
| 1137 | G277 | -5425 | 250.58 | 1171 | G209 | -5901 | 250.58 | 1205 | G141 | -6377 | 250.58 |
| 1138 | G275 | -5439 | 119.58 | 1172 | G207 | -5915 | 119.58 | 1206 | G139 | -6391 | 119.58 |
| 1139 | G273 | -5453 | 250.58 | 1173 | G205 | -5929 | 250.58 | 1207 | G137 | -6405 | 250.58 |
| 1140 | G271 | -5467 | 119.58 | 1174 | G203 | -5943 | 119.58 | 1208 | G135 | -6419 | 119.58 |
| 1141 | G269 | -5481 | 250.58 | 1175 | G201 | -5957 | 250.58 | 1209 | G133 | -6433 | 250.58 |
| 1142 | G267 | -5495 | 119.58 | 1176 | G199 | -5971 | 119.58 | 1210 | G131 | -6447 | 119.58 |
| 1143 | G265 | -5509 | 250.58 | 1177 | G197 | -5985 | 250.58 | 1211 | G129 | -6461 | 250.58 |
| 1144 | G263 | -5523 | 119.58 | 1178 | G195 | -5999 | 119.58 | 1212 | G127 | -6475 | 119.58 |
| 1145 | G261 | -5537 | 250.58 | 1179 | G193 | -6013 | 250.58 | 1213 | G125 | -6489 | 250.58 |
| 1146 | G259 | -5551 | 119.58 | 1180 | G191 | -6027 | 119.58 | 1214 | G123 | -6503 | 119.58 |
| 1147 | G257 | -5565 | 250.58 | 1181 | G189 | -6041 | 250.58 | 1215 | G121 | -6517 | 250.58 |
| 1148 | G255 | -5579 | 119.58 | 1182 | G187 | -6055 | 119.58 | 1216 | G119 | -6531 | 119.58 |
| 1149 | G253 | -5593 | 250.58 | 1183 | G185 | -6069 | 250.58 | 1217 | G117 | -6545 | 250.58 |
| 1150 | G251 | -5607 | 119.58 | 1184 | G183 | -6083 | 119.58 | 1218 | G115 | -6559 | 119.58 |

| PAD No. | PIN Name | X | Y | PAD No. | PIN Name | X | Y | PAD No. | PIN Name | X | Y |
|---------|----------|-------|--------|---------|----------|-------|--------|---------|----------|-------|--------|
| 1219 | G113 | -6573 | 250.58 | 1240 | G71 | -6867 | 119.58 | 1261 | G29 | -7161 | 250.58 |
| 1220 | G111 | -6587 | 119.58 | 1241 | G69 | -6881 | 250.58 | 1262 | G27 | -7175 | 119.58 |
| 1221 | G109 | -6601 | 250.58 | 1242 | G67 | -6895 | 119.58 | 1263 | G25 | -7189 | 250.58 |
| 1222 | G107 | -6615 | 119.58 | 1243 | G65 | -6909 | 250.58 | 1264 | G23 | -7203 | 119.58 |
| 1223 | G105 | -6629 | 250.58 | 1244 | G63 | -6923 | 119.58 | 1265 | G21 | -7217 | 250.58 |
| 1224 | G103 | -6643 | 119.58 | 1245 | G61 | -6937 | 250.58 | 1266 | G19 | -7231 | 119.58 |
| 1225 | G101 | -6657 | 250.58 | 1246 | G59 | -6951 | 119.58 | 1267 | G17 | -7245 | 250.58 |
| 1226 | G99 | -6671 | 119.58 | 1247 | G57 | -6965 | 250.58 | 1268 | G15 | -7259 | 119.58 |
| 1227 | G97 | -6685 | 250.58 | 1248 | G55 | -6979 | 119.58 | 1269 | G13 | -7273 | 250.58 |
| 1228 | G95 | -6699 | 119.58 | 1249 | G53 | -6993 | 250.58 | 1270 | G11 | -7287 | 119.58 |
| 1229 | G93 | -6713 | 250.58 | 1250 | G51 | -7007 | 119.58 | 1271 | G9 | -7301 | 250.58 |
| 1230 | G91 | -6727 | 119.58 | 1251 | G49 | -7021 | 250.58 | 1272 | G7 | -7315 | 119.58 |
| 1231 | G89 | -6741 | 250.58 | 1252 | G47 | -7035 | 119.58 | 1273 | G5 | -7329 | 250.58 |
| 1232 | G87 | -6755 | 119.58 | 1253 | G45 | -7049 | 250.58 | 1274 | G3 | -7343 | 119.58 |
| 1233 | G85 | -6769 | 250.58 | 1254 | G43 | -7063 | 119.58 | 1275 | G1 | -7357 | 250.58 |
| 1234 | G83 | -6783 | 119.58 | 1255 | G41 | -7077 | 250.58 | 1276 | DUMMY | -7371 | 119.58 |
| 1235 | G81 | -6797 | 250.58 | 1256 | G39 | -7091 | 119.58 | 1277 | DUMMY | -7385 | 250.58 |
| 1236 | G79 | -6811 | 119.58 | 1257 | G37 | -7105 | 250.58 | 1278 | DUMMY | -7399 | 119.58 |
| 1237 | G77 | -6825 | 250.58 | 1258 | G35 | -7119 | 119.58 | | A1 | -7480 | 251.58 |
| 1238 | G75 | -6839 | 119.58 | 1259 | G33 | -7133 | 250.58 | | A2 | 7480 | 255.58 |
| 1239 | G73 | -6853 | 250.58 | 1260 | G31 | -7147 | 119.58 | | | | |

5 BLOCK DIAGRAM



6 PIN DESCRIPTION

6.1 Power Supply Pins

| Name | I/O | Description | Connect Pin |
|----------|-----|--|-------------|
| VDD | I | Power Supply for Analog, Digital System and Booster Circuit. | VDD |
| VDDI | I | Power Supply for I/O System. | VDDI |
| VDDI_LED | I | Power Supply for LED driver. If not used, please fix this pad to GND level. | - |
| AGND | I | System Ground for Analog System and Booster Circuit. | GND |
| DGND | I | System Ground for I/O System and Digital System. | GND |

6.2 Interface Logic Pins

| Name | I/O | Description | Connect Pin | | | | | | | | | | | | | | | | | | | | | | | | | | | | | | | | | | | | | | | | | | | | | | | | | | | | | | | | | | | | | | | | | | | | | | | | | | | | | | | | |
|--------------------|-----|--|-------------|---------------------------|----------------------|-----|--------------------------|------------------------|----------|---|---|---|---|----------------------|---------|---|---|---|---|-----------------------|----------|---|---|---|---|----------------------|---------|---|---|---|---|-----------------------|-----------|---|---|---|---|------------------------|-------------|------------------------|------------------------|---|---|---|---|------------------------|-------------|---|---|---|---|--------------------------|-----------------------|---|---|---|---|-------------------------|-----------|---|---|---|---|--------------------------|-----------|---|---|---|---|-------------------------|----------|---|---|---|---|---------------------------|----------------------|---|---|---|---|---------------------------|---------------------|
| IM3, IM2, IM1, IM0 | I | -The MCU interface mode select. | DGND/VDDI | | | | | | | | | | | | | | | | | | | | | | | | | | | | | | | | | | | | | | | | | | | | | | | | | | | | | | | | | | | | | | | | | | | | | | | | | | | | | | | | |
| | | <table border="1"> <thead> <tr> <th>IM3</th> <th>IM2</th> <th>IM1</th> <th>IM0</th> <th>MPU Interface Mode</th> <th>Data pin</th> </tr> </thead> <tbody> <tr> <td>0</td> <td>0</td> <td>0</td> <td>0</td> <td>80-8bit parallel I/F</td> <td>DB[7:0]</td> </tr> <tr> <td>0</td> <td>0</td> <td>0</td> <td>1</td> <td>80-16bit parallel I/F</td> <td>DB[15:0]</td> </tr> <tr> <td>0</td> <td>0</td> <td>1</td> <td>0</td> <td>80-9bit parallel I/F</td> <td>DB[8:0]</td> </tr> <tr> <td>0</td> <td>0</td> <td>1</td> <td>1</td> <td>80-18bit parallel I/F</td> <td>DB[17:0],</td> </tr> <tr> <td rowspan="2">0</td> <td rowspan="2">1</td> <td rowspan="2">0</td> <td rowspan="2">1</td> <td>3-line 9bit serial I/F</td> <td>SDA: in/out</td> </tr> <tr> <td>2 data lane serial I/F</td> <td>SDA: in/out WRX: in</td> </tr> <tr> <td>0</td> <td>1</td> <td>1</td> <td>0</td> <td>4-line 8bit serial I/F</td> <td>SDA: in/out</td> </tr> <tr> <td>1</td> <td>0</td> <td>0</td> <td>0</td> <td>80-16bit parallel I/F II</td> <td>DB[17:10], DB[8:1]</td> </tr> <tr> <td>1</td> <td>0</td> <td>0</td> <td>1</td> <td>80-8bit parallel I/F II</td> <td>DB[17:10]</td> </tr> <tr> <td>1</td> <td>0</td> <td>1</td> <td>0</td> <td>80-18bit parallel I/F II</td> <td>DB[17:0],</td> </tr> <tr> <td>1</td> <td>0</td> <td>1</td> <td>1</td> <td>80-9bit parallel I/F II</td> <td>DB[17:9]</td> </tr> <tr> <td>1</td> <td>1</td> <td>0</td> <td>1</td> <td>3-line 9bit serial I/F II</td> <td>SDA: in/ SDO: out</td> </tr> <tr> <td>1</td> <td>1</td> <td>1</td> <td>0</td> <td>4-line 8bit serial I/F II</td> <td>SDA:in/ SDO: out</td> </tr> </tbody> </table> | | IM3 | IM2 | IM1 | IM0 | MPU Interface Mode | Data pin | 0 | 0 | 0 | 0 | 80-8bit parallel I/F | DB[7:0] | 0 | 0 | 0 | 1 | 80-16bit parallel I/F | DB[15:0] | 0 | 0 | 1 | 0 | 80-9bit parallel I/F | DB[8:0] | 0 | 0 | 1 | 1 | 80-18bit parallel I/F | DB[17:0], | 0 | 1 | 0 | 1 | 3-line 9bit serial I/F | SDA: in/out | 2 data lane serial I/F | SDA: in/out WRX: in | 0 | 1 | 1 | 0 | 4-line 8bit serial I/F | SDA: in/out | 1 | 0 | 0 | 0 | 80-16bit parallel I/F II | DB[17:10], DB[8:1] | 1 | 0 | 0 | 1 | 80-8bit parallel I/F II | DB[17:10] | 1 | 0 | 1 | 0 | 80-18bit parallel I/F II | DB[17:0], | 1 | 0 | 1 | 1 | 80-9bit parallel I/F II | DB[17:9] | 1 | 1 | 0 | 1 | 3-line 9bit serial I/F II | SDA: in/ SDO: out | 1 | 1 | 1 | 0 | 4-line 8bit serial I/F II | SDA:in/ SDO: out |
| | | IM3 | | IM2 | IM1 | IM0 | MPU Interface Mode | Data pin | | | | | | | | | | | | | | | | | | | | | | | | | | | | | | | | | | | | | | | | | | | | | | | | | | | | | | | | | | | | | | | | | | | | | | | | | | | |
| | | 0 | | 0 | 0 | 0 | 80-8bit parallel I/F | DB[7:0] | | | | | | | | | | | | | | | | | | | | | | | | | | | | | | | | | | | | | | | | | | | | | | | | | | | | | | | | | | | | | | | | | | | | | | | | | | | |
| | | 0 | | 0 | 0 | 1 | 80-16bit parallel I/F | DB[15:0] | | | | | | | | | | | | | | | | | | | | | | | | | | | | | | | | | | | | | | | | | | | | | | | | | | | | | | | | | | | | | | | | | | | | | | | | | | | |
| | | 0 | | 0 | 1 | 0 | 80-9bit parallel I/F | DB[8:0] | | | | | | | | | | | | | | | | | | | | | | | | | | | | | | | | | | | | | | | | | | | | | | | | | | | | | | | | | | | | | | | | | | | | | | | | | | | |
| | | 0 | | 0 | 1 | 1 | 80-18bit parallel I/F | DB[17:0], | | | | | | | | | | | | | | | | | | | | | | | | | | | | | | | | | | | | | | | | | | | | | | | | | | | | | | | | | | | | | | | | | | | | | | | | | | | |
| | | 0 | | 1 | 0 | 1 | 3-line 9bit serial I/F | SDA: in/out | | | | | | | | | | | | | | | | | | | | | | | | | | | | | | | | | | | | | | | | | | | | | | | | | | | | | | | | | | | | | | | | | | | | | | | | | | | |
| | | | | | | | 2 data lane serial I/F | SDA: in/out WRX: in | | | | | | | | | | | | | | | | | | | | | | | | | | | | | | | | | | | | | | | | | | | | | | | | | | | | | | | | | | | | | | | | | | | | | | | | | | | |
| | | 0 | | 1 | 1 | 0 | 4-line 8bit serial I/F | SDA: in/out | | | | | | | | | | | | | | | | | | | | | | | | | | | | | | | | | | | | | | | | | | | | | | | | | | | | | | | | | | | | | | | | | | | | | | | | | | | |
| | | 1 | | 0 | 0 | 0 | 80-16bit parallel I/F II | DB[17:10], DB[8:1] | | | | | | | | | | | | | | | | | | | | | | | | | | | | | | | | | | | | | | | | | | | | | | | | | | | | | | | | | | | | | | | | | | | | | | | | | | | |
| | | 1 | | 0 | 0 | 1 | 80-8bit parallel I/F II | DB[17:10] | | | | | | | | | | | | | | | | | | | | | | | | | | | | | | | | | | | | | | | | | | | | | | | | | | | | | | | | | | | | | | | | | | | | | | | | | | | |
| | | 1 | | 0 | 1 | 0 | 80-18bit parallel I/F II | DB[17:0], | | | | | | | | | | | | | | | | | | | | | | | | | | | | | | | | | | | | | | | | | | | | | | | | | | | | | | | | | | | | | | | | | | | | | | | | | | | |
| 1 | 0 | 1 | 1 | 80-9bit parallel I/F II | DB[17:9] | | | | | | | | | | | | | | | | | | | | | | | | | | | | | | | | | | | | | | | | | | | | | | | | | | | | | | | | | | | | | | | | | | | | | | | | | | | | | | |
| 1 | 1 | 0 | 1 | 3-line 9bit serial I/F II | SDA: in/ SDO: out | | | | | | | | | | | | | | | | | | | | | | | | | | | | | | | | | | | | | | | | | | | | | | | | | | | | | | | | | | | | | | | | | | | | | | | | | | | | | | |
| 1 | 1 | 1 | 0 | 4-line 8bit serial I/F II | SDA:in/ SDO: out | | | | | | | | | | | | | | | | | | | | | | | | | | | | | | | | | | | | | | | | | | | | | | | | | | | | | | | | | | | | | | | | | | | | | | | | | | | | | | |
| EXTC | I | -Select to access extension command (“Low”: system command 1, “High”: system command 1 and 2). -When programming NVM, this pin should connect to high level. | DGND/VDDI | | | | | | | | | | | | | | | | | | | | | | | | | | | | | | | | | | | | | | | | | | | | | | | | | | | | | | | | | | | | | | | | | | | | | | | | | | | | | | | | |
| VPP | I | -When programming NVM, it needs external power supply voltage (7.5V); the current of Ivpp must be more than 10mA. -If not used, let this pin open. | - | | | | | | | | | | | | | | | | | | | | | | | | | | | | | | | | | | | | | | | | | | | | | | | | | | | | | | | | | | | | | | | | | | | | | | | | | | | | | | | | |
| RESX | I | -This signal will reset the device and it must be applied to properly initialize the chip. -Signal is active low. | MCU | | | | | | | | | | | | | | | | | | | | | | | | | | | | | | | | | | | | | | | | | | | | | | | | | | | | | | | | | | | | | | | | | | | | | | | | | | | | | | | | |
| CSX | I | -Chip selection pin Low enable. High disable. | MCU | | | | | | | | | | | | | | | | | | | | | | | | | | | | | | | | | | | | | | | | | | | | | | | | | | | | | | | | | | | | | | | | | | | | | | | | | | | | | | | | |
| DCX | I | -Display data/command selection pin in parallel interface. -This pin is used to be serial interface clock. | MCU | | | | | | | | | | | | | | | | | | | | | | | | | | | | | | | | | | | | | | | | | | | | | | | | | | | | | | | | | | | | | | | | | | | | | | | | | | | | | | | | |

| Name | I/O | Description | Connect Pin |
|----------|-----|---|-------------|
| | | DCX='1': display data or parameter. DCX='0': command data. -If not used, please fix this pin at VDDI or DGND. | |
| RDX | I | -Read enable in 8080 MCU parallel interface. -If not used, please fix this pin at VDDI or DGND. | MCU |
| WRX | I | -Write enable in MCU parallel interface. - Display data/command selection pin in 4-line serial interface. - Second Data lane in 2 data lane serial interface. -If not used, please fix this pin at VDDI or DGND. | MCU |
| VSYNC | I | -Vertical (Frame) synchronizing input signal for RGB interface operation. -If not used, please fix to the VDDI or DGND. | MCU |
| HSYNC | I | -Horizontal (Line) synchronizing input signal for RGB interface operation. - If not used, please fix to VDDI or DGND. | MCU |
| ENABLE | I | -Data enable signal for RGB interface operation. -If not used, please fix this pin at VDDI or DGND. | MCU |
| DOTCLK | I | -Dot clock signal for RGB interface operation. -If not used, please fix this pin at VDDI or DGND. | MCU |
| SDA | I/O | -When IM3: Low, SPI interface input/output pin. -When IM3: High, SPI interface input pin. -The data is latched on the rising edge of the SCL signal. -If not used, please fix this pin at VDDI or DGND level. | MCU |
| SDO | O | -SPI interface output pin. -The data is output on the falling edge of the SCL signal. -If not used, let this pin open. | MCU |
| DB[17:0] | I/O | -DB[17:0] are used as MCU parallel interface data bus. 8-bit I/F: when IM3:0, DB[7:0] are used; when IM3:1, DB[17:10] are used. 9-bit I/F: when IM3:0, DB[8:0] are used; when IM3:1, DB[17:9] are used. 16-bit I/F: when IM3:0, DB[15:0] are used; when IM3:1, DB[17:10] and DB[8:1] are used. 18-bit I/F: DB[17:0] are used. -DB[17:0] are used as RGB interface data bus. 6-bit RGB I/F: DB[5:0] are used. 16-bit RGB I/F: DB[17:13], DB[11:1] are used. 18-bit RGB I/F: DB[17:0] are used. -If not used, please fix this pin at VDDI or DGND. | MCU |
| TE | O | -Tearing effect signal is used to synchronize MCU to frame memory | MCU |

| Name | I/O | Description | Connect Pin |
|------|-----|--|-------------|
| | | writing. -If not used, please let this pin open | |

Note1. "1" = VDDI level, "0" = DGND level.

Note2. When in parallel mode, unused data pins must be connected to "1" or "0".

Note3. When CSX="1", there is no influence to the parallel and serial interface.

6.3 Driver Output Pins

| Name | I/O | Description | Connect pin |
|------------|-----|--|-------------|
| S1 to S720 | O | -Source driver output pad. | LCD |
| G1 to G320 | O | -Gate driver output pad. VGH: Selecting Gate Lines Level. VGL: Non-selecting Gate Lines Level. | LCD |
| AVDD | O | -Power pad for analog circuit. | OPEN |
| VAP(GVDD) | O | - A power output of grayscale voltage generator. | OPEN |
| AVCL | O | - A power supply pin for generating VAN. | OPEN |
| VAN(GVCL) | O | - A power output (Negative) of grayscale voltage generator. | OPEN |
| VGH | O | - Power output pin for gate driver | OPEN |
| VGL | O | - Power output (Negative) pin for gate driver | OPEN |
| VCC | O | - Monitoring pin of internal digital reference voltage. | OPEN |
| VCOM | O | - A power supply for the TFT-LCD common electrode. | GND |
| LED_PWM | O | -Output pad for PWM output signal to driving LED. -If not used, keep it open. | - |
| LED_EN | O | -Output pad for enabling LED. -If not used, keep it open. | - |

6.4 Test and other pins

| | | | |
|-----------------------------|---|--|------|
| TEST3~TEST0 | I | Input pins for testing. Please open these pins. | OPEN |
| TE2 | O | Output pin for testing. Please keep this pin floating. | OPEN |
| TESTO6~TESTO1 | O | Output pins for testing. Please keep these pins floating. | OPEN |
| DUMMY | - | These pins are dummy (no electrical characteristic) Can pass signal through these pads on TFT panel. Please open these pins. | OPEN |
| DUMMYR1 DUMMYR2 | - | These pins are dummy (no electrical characteristic). DUMMYR1 and DUMMYR2 are connected each other internally. | OPEN |
| VAG VDDS VDDGX V20 | O | Used for monitoring Please keep these pins floating. | OPEN |

7 DRIVER ELECTRICAL CHARACTERISTICS

7.1 Absolute Operation Range

| Item | Symbol | Rating | Unit |
|-----------------------------|---------|-------------------|------|
| Supply Voltage | VDD | - 0.3 ~ +4.6 | V |
| Supply Voltage (Logic) | VDDI | - 0.3 ~ +4.6 | V |
| Driver Supply Voltage | VGH-VGL | -0.3 ~ +30.0 | V |
| Logic Input Voltage Range | VIN | -0.3 ~ VDDI + 0.5 | V |
| Logic Output Voltage Range | VO | -0.3 ~ VDDI + 0.5 | V |
| Operating Temperature Range | TOPR | -30 ~ +85 | °C |
| Storage Temperature Range | TSTG | -40 ~ +125 | °C |

Table 1 Absolute Operation Range

Note: If one of the above items is exceeded its maximum limitation momentarily, the quality of the product may be degraded.

Absolute maximum limitation, therefore, specify the values exceeding which the product may be physically damaged. Be sure to use the product within the recommend range.

7.2 DC Characteristics

| Parameter | Symbol | Condition | Specification | | | Unit | Related Pins |
|-----------------------------------|---------|--------------------------|---------------|------|---------|------|--------------|
| | | | MIN. | TYP. | MAX. | | |
| Power & Operation Voltage | | | | | | | |
| System Voltage | VDD | Operating voltage | 2.4 | 2.75 | 3.3 | V | |
| Interface Operation Voltage | VDDI | I/O Supply Voltage | 1.65 | 1.8 | 3.3 | V | |
| Gate Driver High Voltage | VGH | | 12.2 | | 14.97 | V | Note 4 |
| Gate Driver Low Voltage | VGL | | -12.5 | | -7.16 | V | |
| Gate Driver Supply Voltage | | VGH-VGL | 19.36 | | 27.47 | V | Note 5 |
| Input / Output | | | | | | | |
| Logic-High Input Voltage | VIH | | 0.7VDDI | | VDDI | V | Note 1 |
| Logic-Low Input Voltage | VIL | | VSS | | 0.3VDDI | V | Note 1 |
| Logic-High Output Voltage | VOH | IOH = -1.0mA | 0.8VDDI | | VDDI | V | Note 1 |
| Logic-Low Output Voltage | VOL | IOL = +1.0mA | VSS | | 0.2VDDI | V | Note 1 |
| Logic-High Input Current | IIH | VIN = VDDI | | | 1 | uA | Note 1 |
| Logic-Low Input Current | IIL | VIN = VSS | -1 | | | uA | Note 1 |
| Input Leakage Current | IIL | IOH = -1.0mA | -0.1 | | +0.1 | uA | Note 1 |
| VCOM Voltage | | | | | | | |
| VCOM amplitude | VCOM | | | VSS | | V | |
| Source Driver | | | | | | | |
| Source Output Range | Vsout | | VAN | | VAP | V | |
| Gamma Reference Voltage(Positive) | VAP | | 4.45 | | 6.4 | V | Note 6 |
| Gamma Reference Voltage(Negative) | VAN | | -4.6 | | -2.65 | V | |
| Source Output Settling Time | Tr | Below with 99% precision | | | 20 | us | Note 2 |
| Output Offset Voltage | VOFFSET | | | | 35 | mV | Note 3 |

Table 2 Basic DC Characteristics

Notes:

1. TA= -30 to 70°C (to +85°C no damage).
2. Source channel loading= 2KΩ+12pF/channel, Gate channel loading=5KΩ+40pF/channel.
3. The Max. value is between measured point of source output and gamma setting value.
4. When evaluating the maximum and minimum of VGH, VDD=2.8V.

5. The maximum value of $|V_{GH}-V_{GL}|$ can no over 30V.

6. Default register setting of V_{com} and $V_{comoffset}$ is 20h

7.3 Power Consumption

Ta=25°C, Frame rate = 60Hz, Registers setting are IC default setting.

| Operation Mode | Image | Current Consumption | | | |
|--------------------------------|-------|---------------------|-------------|--------------|-------------|
| | | Typical | | Maximum | |
| | | IDD1 (mA) | IDD (mA) | IDD1 (mA) | IDD (mA) |
| Normal Mode | Black | 0.005 | 6.0 | 0.01 | 7.5 |
| Partial + Idle Mode (48 lines) | Black | 0.005 | 5.0 | 0.01 | 6.0 |
| Sleep-in Mode | N/A | 0.005 | 0.015 | 0.01 | 0.03 |

Table 3 Power Consumption

Notes:

1. The Current Consumption is DC characteristics of ST7789V2.
2. Typical: VDDI=1.8V, VDD=2.75V; Maximum: VDDI=1.65 to 3.3V, VDD=2.4 to 3.3V

7.4 AC Characteristics

7.4.1 8080 Series MCU Parallel Interface Characteristics: 18/16/9/8-bit Bus

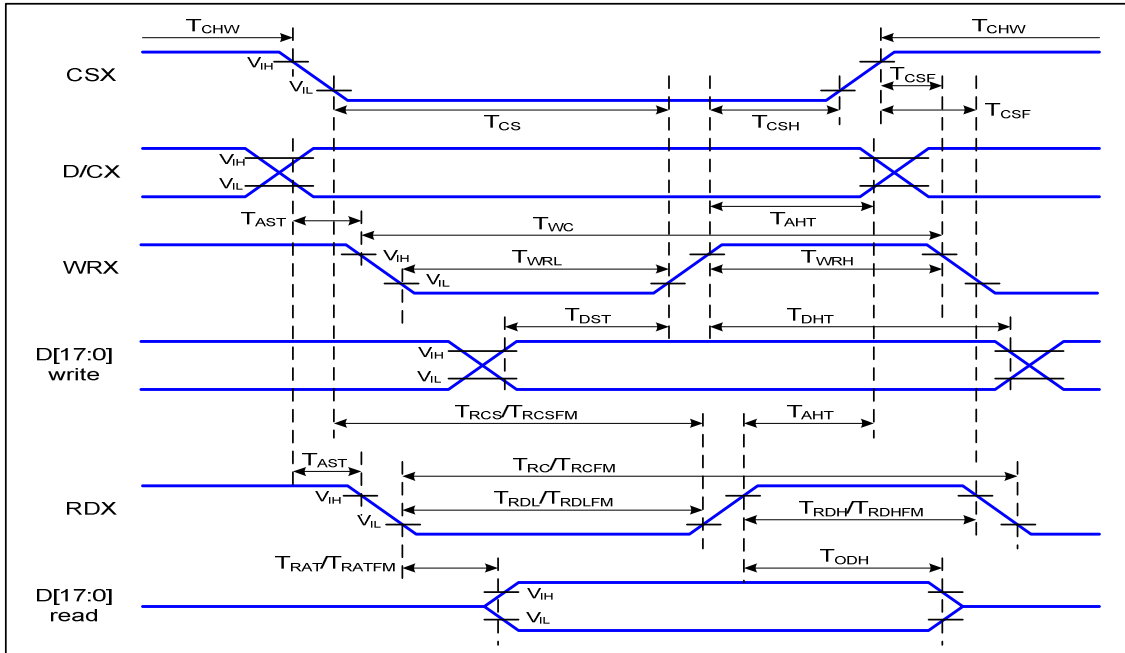


Figure 1 Parallel Interface Timing Characteristics (8080-Series MCU Interface)

VDDI=1.65 to 3.3V, VDD=2.4 to 3.3V, AGND=DGND=0V, Ta=25°C

| Signal | Symbol | Parameter | Min | Max | Unit | Description |
|----------|--------------------|------------------------------------|-----|-----|------|-----------------------------|
| D/CX | T _{AST} | Address setup time | 0 | | ns | - |
| | T _{AHT} | Address hold time (Write/Read) | 10 | | ns | |
| CSX | T _{CHW} | Chip select "H" pulse width | 0 | | ns | - |
| | T _{CS} | Chip select setup time (Write) | 15 | | ns | |
| | T _{RCS} | Chip select setup time (Read ID) | 45 | | ns | |
| | T _{RCSFM} | Chip select setup time (Read FM) | 355 | | ns | |
| | T _{CSE} | Chip select wait time (Write/Read) | 10 | | ns | |
| | T _{CSH} | Chip select hold time | 10 | | ns | |
| WRX | T _{WC} | Write cycle | 66 | | ns | - |
| | T _{WRH} | Control pulse "H" duration | 15 | | ns | |
| | T _{WRL} | Control pulse "L" duration | 15 | | ns | |
| RDX (ID) | T _{RC} | Read cycle (ID) | 160 | | ns | When read ID data |
| | T _{RDH} | Control pulse "H" duration (ID) | 90 | | ns | |
| | T _{RDL} | Control pulse "L" duration (ID) | 45 | | ns | |
| RDX (FM) | T _{RCFM} | Read cycle (FM) | 450 | | ns | When read from frame memory |
| | T _{RDHFM} | Control pulse "H" duration (FM) | 90 | | ns | |
| | T _{RDLFM} | Control pulse "L" duration (FM) | 355 | | ns | |
| D[17:0] | T _{DST} | Data setup time | 10 | | ns | For CL=30pF |

| | | | | | |
|--|-------------|-----------------------|----|-----|----|
| | T_{DHT} | Data hold time | 10 | | ns |
| | T_{RAT} | Read access time (ID) | | 40 | ns |
| | T_{RATFM} | Read access time (FM) | | 340 | ns |
| | T_{ODH} | Output disable time | 20 | 80 | ns |

Table 4 8080 Parallel Interface Characteristics

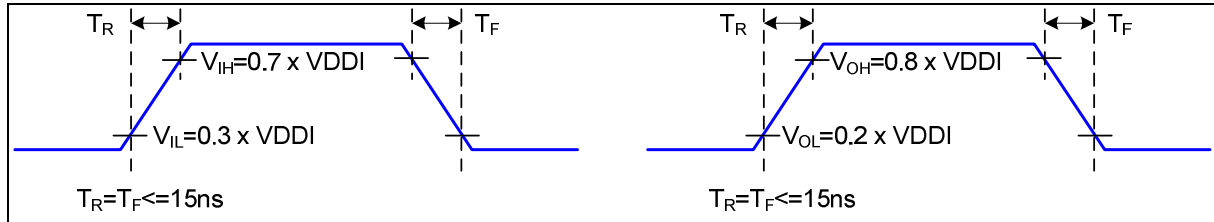


Figure 2 Rising and Falling Timing for I/O Signal

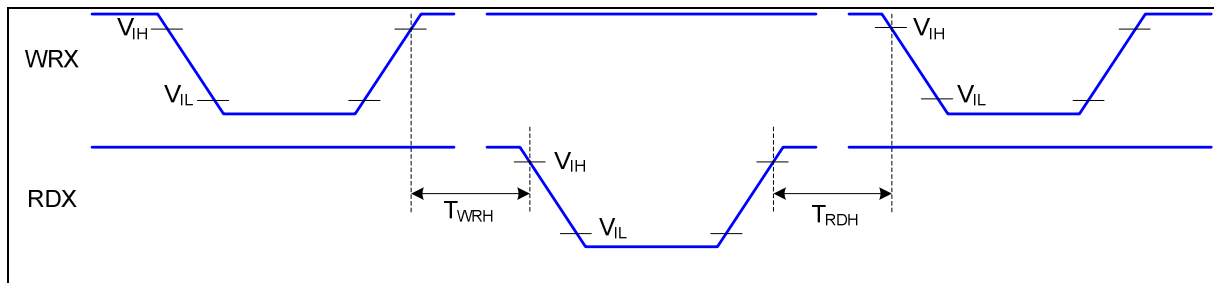


Figure 3 Write-to-Read and Read-to-Write Timing

Note: The rising time and falling time (T_r , T_f) of input signal and fall time are specified at 15 ns or less. Logic high and low levels are specified as 30% and 70% of VDDI for Input signals.

7.4.2 Serial Interface Characteristics (3-line serial):

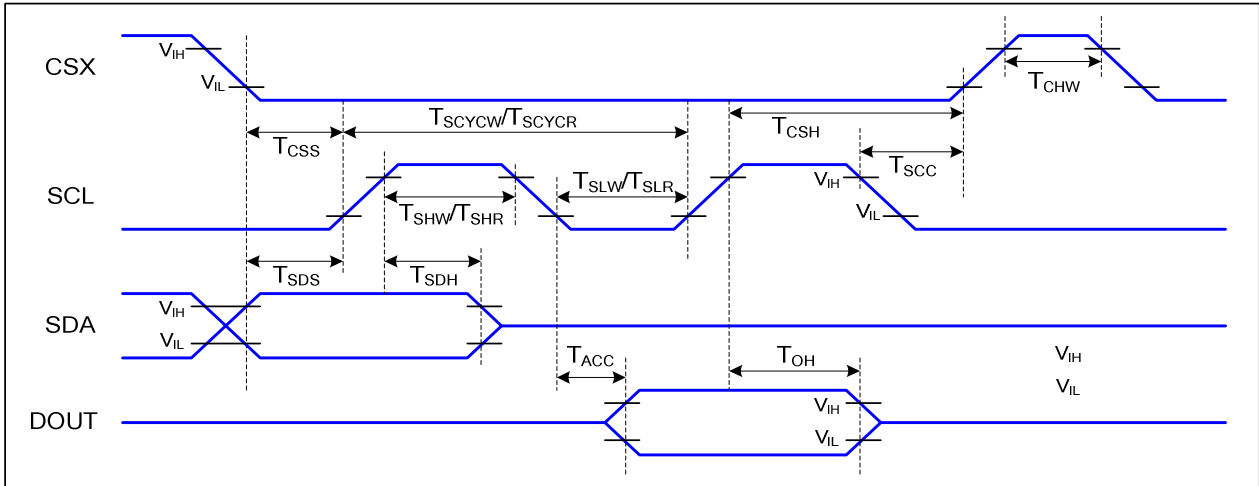


Figure 4 3-line serial Interface Timing Characteristics

VDDI=1.65 to 3.3V, VDD=2.4 to 3.3V, AGND=DGND=0V, Ta=25°C

| Signal | Symbol | Parameter | Min | Max | Unit | Description |
|--------------|--------------------|--------------------------------|-----|-----|------|---------------------|
| CSX | T _{CSS} | Chip select setup time (write) | 15 | | ns | |
| | T _{CSH} | Chip select hold time (write) | 15 | | ns | |
| | T _{CSS} | Chip select setup time (read) | 60 | | ns | |
| | T _{SCC} | Chip select hold time (read) | 65 | | ns | |
| | T _{CHW} | Chip select "H" pulse width | 40 | | ns | |
| SCL | T _{SCYCW} | Serial clock cycle (Write) | 16 | | ns | |
| | T _{SHW} | SCL "H" pulse width (Write) | 7 | | ns | |
| | T _{SLW} | SCL "L" pulse width (Write) | 7 | | ns | |
| | T _{SCYCR} | Serial clock cycle (Read) | 150 | | ns | |
| | T _{SHR} | SCL "H" pulse width (Read) | 60 | | ns | |
| | T _{SLR} | SCL "L" pulse width (Read) | 60 | | ns | |
| SDA (DIN) | T _{SDS} | Data setup time | 7 | | ns | |
| | T _{SDH} | Data hold time | 7 | | ns | |
| DOUT | T _{ACC} | Access time | 10 | 50 | ns | For maximum CL=30pF |
| | T _{OH} | Output disable time | 15 | 50 | ns | For minimum CL=8pF |

Table 5 3-line serial Interface Characteristics

Note : The rising time and falling time (Tr, Tf) of input signal are specified at 15 ns or less. Logic high and low levels are specified as 30% and 70% of VDDI for Input signals.

7.4.3 Serial Interface Characteristics (4-line serial):

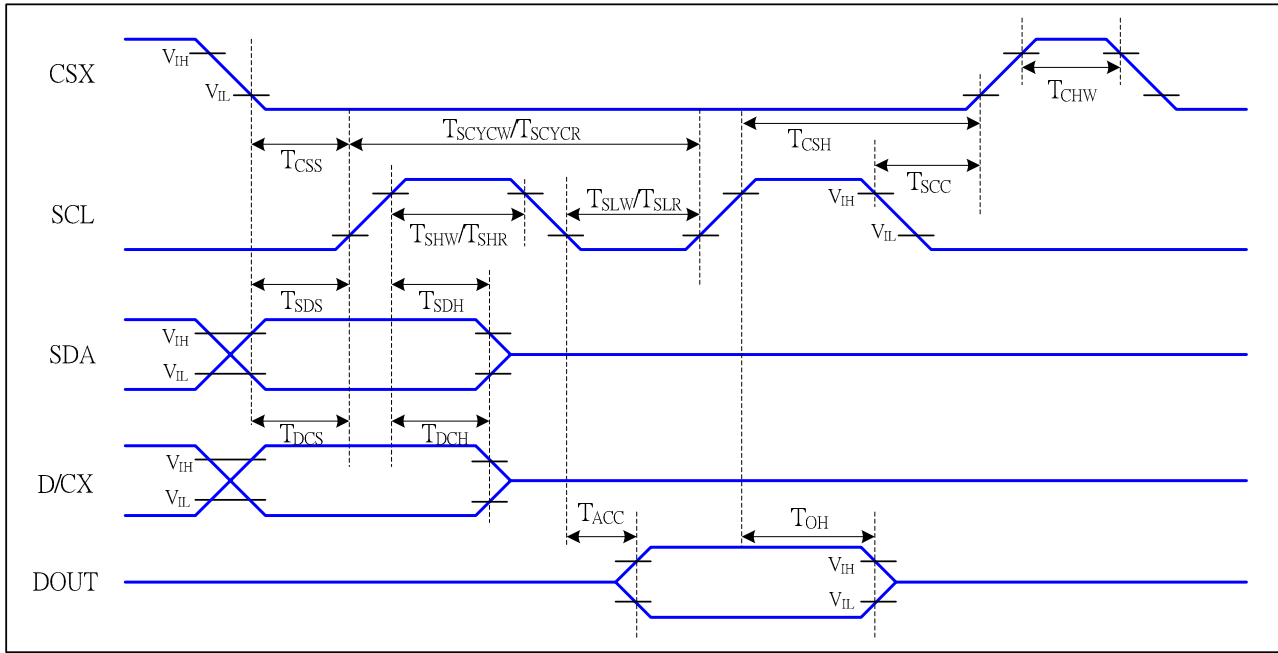


Figure 5 4-line serial Interface Timing Characteristics

VDDI=1.65 to 3.3V, VDD=2.4 to 3.3V, AGND=DGND=0V, Ta=25°C

| Signal | Symbol | Parameter | MIN | MAX | Unit | Description |
|-----------|--------------------|--------------------------------|-----|-----|------|---------------------------|
| CSX | T _{CSS} | Chip select setup time (write) | 15 | | ns | |
| | T _{CSH} | Chip select hold time (write) | 15 | | ns | |
| | T _{CSS} | Chip select setup time (read) | 60 | | ns | |
| | T _{SCC} | Chip select hold time (read) | 65 | | ns | |
| | T _{CHW} | Chip select "H" pulse width | 40 | | ns | |
| SCL | T _{SCYCW} | Serial clock cycle (Write) | 16 | | ns | -write command & data ram |
| | T _{SHW} | SCL "H" pulse width (Write) | 7 | | ns | |
| | T _{SLW} | SCL "L" pulse width (Write) | 7 | | ns | |
| | T _{SCYCR} | Serial clock cycle (Read) | 150 | | ns | -read command & data ram |
| | T _{SHR} | SCL "H" pulse width (Read) | 60 | | ns | |
| | T _{SLR} | SCL "L" pulse width (Read) | 60 | | ns | |
| D/CX | T _{DCS} | D/CX setup time | 10 | | ns | |
| | T _{DCH} | D/CX hold time | 10 | | ns | |
| SDA (DIN) | T _{SDS} | Data setup time | 7 | | ns | |
| | T _{SDH} | Data hold time | 7 | | ns | |
| DOUT | T _{ACC} | Access time | 10 | 50 | ns | For maximum CL=30pF |
| | T _{OH} | Output disable time | 15 | 50 | ns | For minimum CL=8pF |

Table 6 4-line serial Interface Characteristics

Note : The rising time and falling time (Tr, Tf) of input signal are specified at 15 ns or less. Logic high and low levels are specified as

30% and 70% of VDDI for Input signals.

7.4.4 RGB Interface Characteristics:

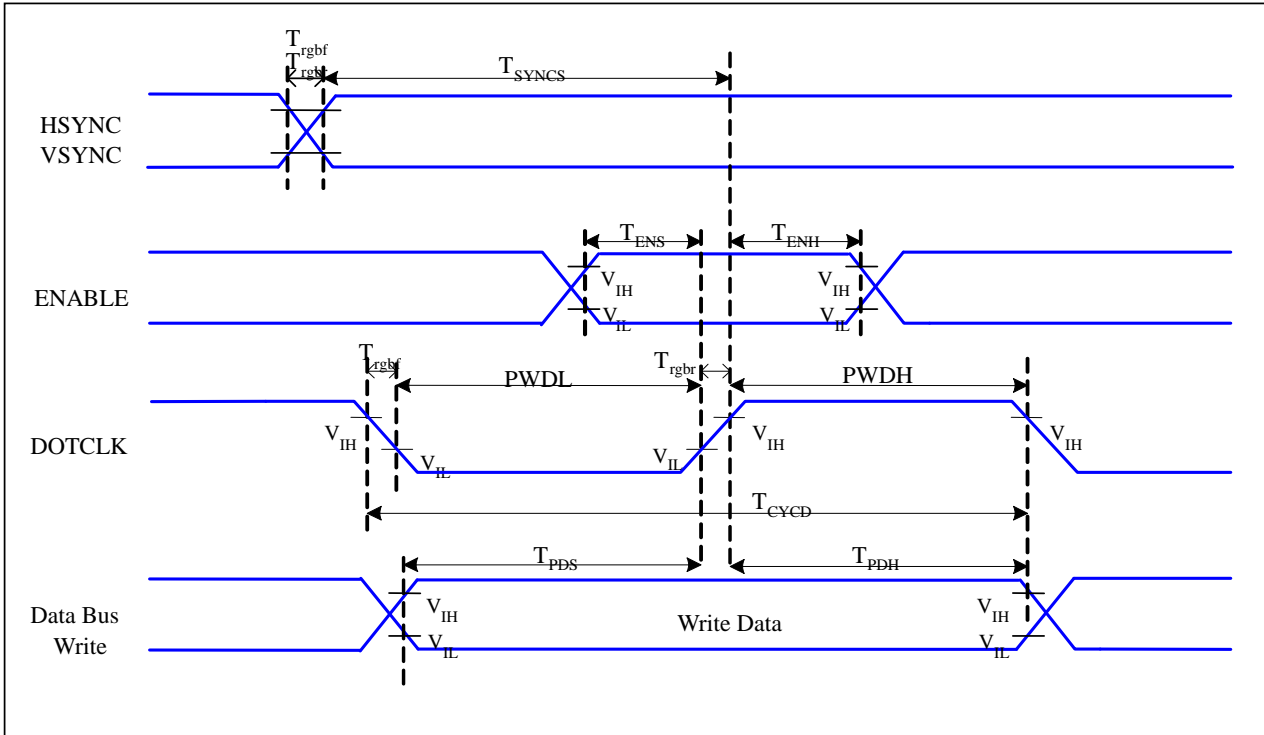


Figure 6 RGB Interface Timing Characteristics

VDDI=1.65 to 3.3V, VDD=2.4 to 3.3V, AGND=DGND=0V, Ta=25°C

| Signal | Symbol | Parameter | MIN | MAX | Unit | Description |
|--------------|--------------|-------------------------------|-----|-----|------|-------------|
| HSYNC, VSYNC | T_{SYNCS} | VSYNC, HSYNC Setup Time | 30 | - | ns | |
| ENABLE | T_{ENS} | Enable Setup Time | 25 | - | ns | |
| | T_{ENH} | Enable Hold Time | 25 | - | ns | |
| DOTCLK | PWDH | DOTCLK High-level Pulse Width | 60 | - | ns | |
| | PWDL | DOTCLK Low-level Pulse Width | 60 | - | ns | |
| | T_{CYCD} | DOTCLK Cycle Time | 120 | - | ns | |
| | Trghr, Trghf | DOTCLK Rise/Fall time | - | 20 | ns | |
| DB | T_{PDS} | PD Data Setup Time | 50 | - | ns | |
| | T_{PDH} | PD Data Hold Time | 50 | - | ns | |

Table 7 18/16 Bits RGB Interface Timing Characteristics

| Signal | Symbol | Parameter | MIN | MAX | Unit | Description |
|--------------|-------------|-------------------------|-----|-----|------|-------------|
| HSYNC, VSYNC | T_{SYNCS} | VSYNC, HSYNC Setup Time | 35 | - | ns | |
| ENABLE | T_{ENS} | Enable Setup Time | 35 | - | ns | |

| | | | | | | |
|--------|-------------------|-------------------------------|----|----|----|--|
| | T _{ENH} | Enable Hold Time | 35 | - | ns | |
| DOTCLK | PWDH | DOTCLK High-level Pulse Width | 35 | - | ns | |
| | PWDL | DOTCLK Low-level Pulse Width | 35 | - | ns | |
| | T _{CYCD} | DOTCLK Cycle Time | 80 | - | ns | |
| | Trghr, Trghf | DOTCLK Rise/Fall time | - | 10 | ns | |
| DB | T _{PDS} | PD Data Setup Time | 35 | - | ns | |
| | T _{PDH} | PD Data Hold Time | 35 | - | ns | |

Table 8 6 Bits RGB Interface Timing Characteristics

7.4.5 Reset Timing:

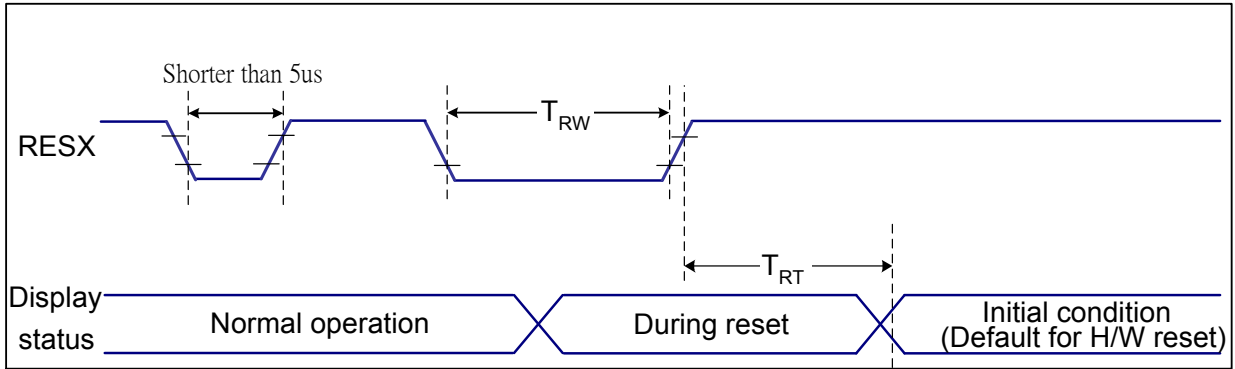


Figure 7 Reset Timing

VDDI=1.65 to 3.3V, VDD=2.4 to 3.3V, AGND=DGND=0V, Ta=25°C

| Related Pins | Symbol | Parameter | MIN | MAX | Unit |
|--------------|--------|----------------------|--------------------|---------------|------|
| RESX | TRW | Reset pulse duration | 10 | - | us |
| | TRT | Reset cancel | - | 5 (Note 1, 5) | ms |
| | | | 120 (Note 1, 6, 7) | ms | |

Table 9 Reset Timing

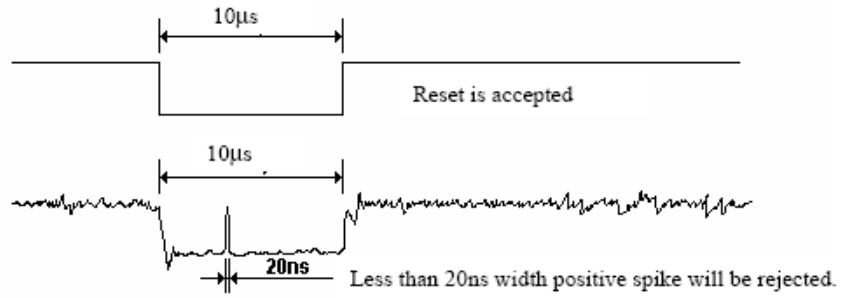
Notes:

- The reset cancel includes also required time for loading ID bytes, VCOM setting and other settings from NVM (or similar device) to registers. This loading is done every time when there is HW reset cancel time (tRT) within 5 ms after a rising edge of RESX.
- Spike due to an electrostatic discharge on RESX line does not cause irregular system reset according to the table below:

| RESX Pulse | Action |
|---------------------|----------------|
| Shorter than 5us | Reset Rejected |
| Longer than 9us | Reset |
| Between 5us and 9us | Reset starts |

3. During the Resetting period, the display will be blanked (The display is entering blanking sequence, which maximum time is 120 ms, when Reset Starts in Sleep Out –mode. The display remains the blank state in Sleep In –mode.) and then return to Default condition for Hardware Reset.

4. Spike Rejection also applies during a valid reset pulse as shown below:



5. When Reset applied during Sleep In Mode.

6. When Reset applied during Sleep Out Mode.

7. It is necessary to wait 5msec after releasing RESX before sending commands. Also Sleep Out command cannot be sent for 120msec.

8 FUNCTION DESCRIPTION

8.1 MPU Interface Type Selection

ST7789V2 supports 8/16/9/18 bit parallel data bus for 8080 series CPU, RGB serial interfaces. Selection of these interfaces are set by IM[3:0] pins as shown below.

| IM3 | IM2 | IM1 | IM0 | Interface | Read Back Data Bus Selection |
|-----|-----|-----|-----|---------------------------|------------------------------|
| 0 | 0 | 0 | 0 | 80-8bit parallel I/F | DB[7:0] |
| 0 | 0 | 0 | 1 | 80-16bit parallel I/F | DB[15:0] |
| 0 | 0 | 1 | 0 | 80-9bit parallel I/F | DB[8:0] |
| 0 | 0 | 1 | 1 | 80-18bit parallel I/F | DB[17:0], |
| 0 | 1 | 0 | 1 | 3-line 9bit serial I/F | SDA: in/out |
| | | | | 2 data lane serial I/F | SDA: in/out, WRX: in |
| 0 | 1 | 1 | 0 | 4-line 8bit serial I/F | SDA: in/out |
| 1 | 0 | 0 | 0 | 80-16bit parallel I/F II | DB[17:10], DB[8:1] |
| 1 | 0 | 0 | 1 | 80-8bit parallel I/F II | DB[17:10] |
| 1 | 0 | 1 | 0 | 80-18bit parallel I/F II | DB[17:0], |
| 1 | 0 | 1 | 1 | 80-9bit parallel I/F II | DB[17:9] |
| 1 | 1 | 0 | 1 | 3-line 9bit serial I/F II | SDA: in/ SDO: out |
| 1 | 1 | 1 | 0 | 4-line 8bit serial I/F II | SDA: in/ SDO: out |

Table 10 Interface Type Selection

8.2 8080- I Series MCU Parallel Interface

The MCU can use one of following interfaces: 11-lines with 8-data parallel interface, 12-lines with 9-data parallel interface, 19-line with 16-data parallel interface or 21-lines with 18-data parallel interface. The chip-select CSX (active low) enables/disables the parallel interface. RESX (active low) is an external reset signal. WRX is the parallel data write enable, RDX is the parallel data read enable and D[17:0] is parallel data bus.

The LCD driver reads the data at the rising edge of WRX signal. The D/CX is the data/command flag. When D/CX='1', D[17:0] bits is either display data or command parameter. When D/C='0', D[17:0] bits is command. The interface functions of 8080-series parallel interface are given in following table.

| IM3 | IM2 | IM1 | IM0 | Interface | D/CX | RDX | WRX | Read back selection |
|-----|-----|-----|-----|-----------------|------|-----|-----|--|
| 0 | 0 | 0 | 0 | 8-bit parallel | 0 | 1 | ↑ | Write 8-bit command (D7 to D0) |
| | | | | | 1 | 1 | ↑ | Write 8-bit display data or 8-bit parameter (D7 to D0) |
| | | | | | 1 | ↑ | 1 | Read 8-bit display data (D7 to D0) |
| | | | | | 1 | ↑ | 1 | Read 8-bit parameter or status (D7 to D0) |
| 0 | 0 | 0 | 1 | 16-bit parallel | 0 | 1 | ↑ | Write 8-bit command (D7 to D0) |
| | | | | | 1 | 1 | ↑ | Write 16-bit display data or 8-bit parameter (D15 to D0) |
| | | | | | 1 | ↑ | 1 | Read 16-bit display data (D15 to D0) |
| | | | | | 1 | ↑ | 1 | Read 8-bit parameter or status (D7 to D0) |
| 0 | 0 | 1 | 0 | 9-bit parallel | 0 | 1 | ↑ | Write 8-bit command (D7 to D0) |
| | | | | | 1 | 1 | ↑ | Write 9-bit display data or 8-bit parameter (D8 to D0) |
| | | | | | 1 | ↑ | 1 | Read 9-bit display data (D8 to D0) |
| | | | | | 1 | ↑ | 1 | Read 8-bit parameter or status (D7 to D0) |
| 0 | 0 | 1 | 1 | 18-bit parallel | 0 | 1 | ↑ | Write 8-bit command (D7 to D0) |
| | | | | | 1 | 1 | ↑ | Write 18-bit display data or 8-bit parameter (D17 to D0) |
| | | | | | 1 | ↑ | 1 | Read 18-bit display data (D17 to D0) |
| | | | | | 1 | ↑ | 1 | Read 8-bit parameter or status (D7 to D0) |

Table 11 the function of 8080-series parallel interface

8.2.1 Write cycle sequence

The write cycle means that the host writes information (command / data) to the display via the interface. Each write cycle (WRX high-low-high sequence) consists of 3 control signals (DCX, RDX, WRX) and data signals (DB[17:0]). DCX bit is a control signal, which tells if the data is a command or a data. The data signals are the command if the control signal is low (=‘0’) and vice versa it is data (=‘1’).

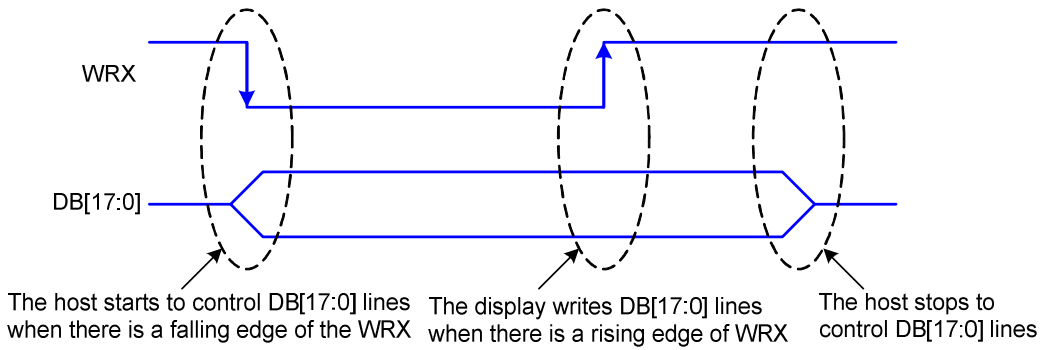


Figure 8 8080-Series WRX Protocol

Note: WRX is an unsynchronized signal (It can be stopped).

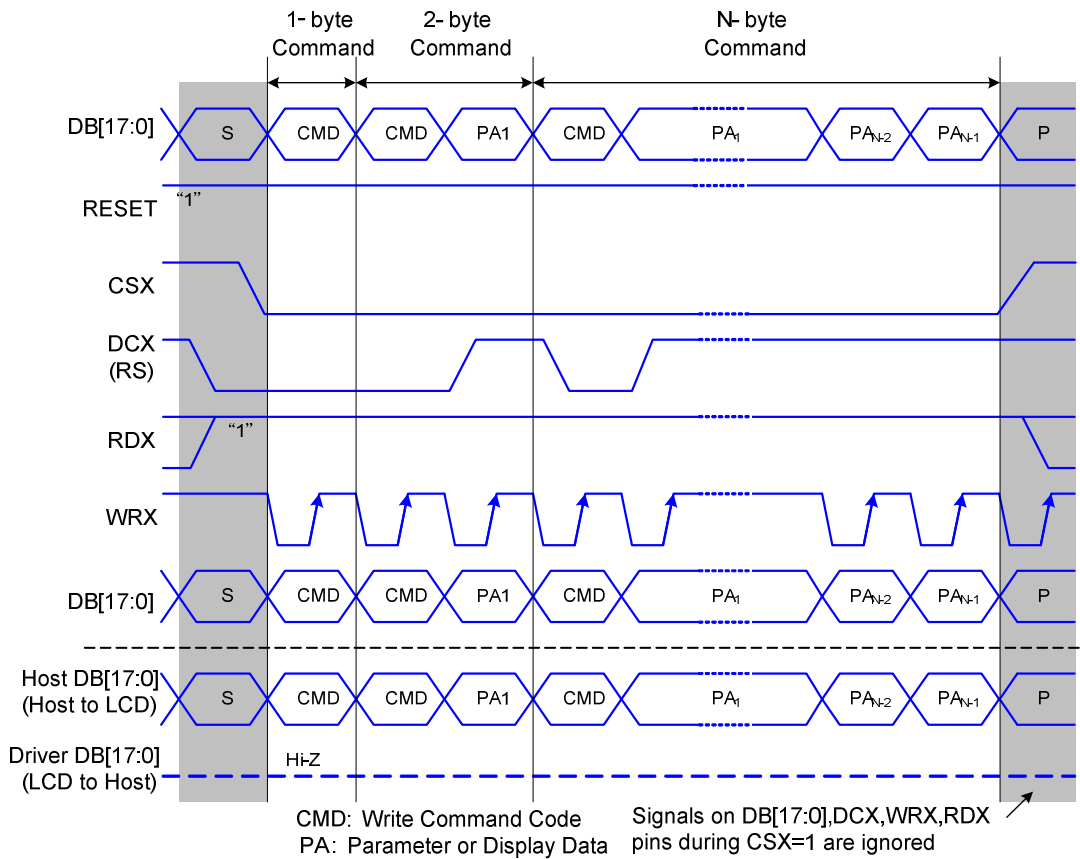


Figure 9 8080-Series Parallel Bus Protocol, Write to Register or Display RAM

8.2.2 Read cycle sequence

The read cycle (RDX high-low-high sequence) means that the host reads information from LCD driver via interface. The driver sends data (D[17:0]) to the host when there is a falling edge of RDX and the host reads data when there is a rising edge of RDX.

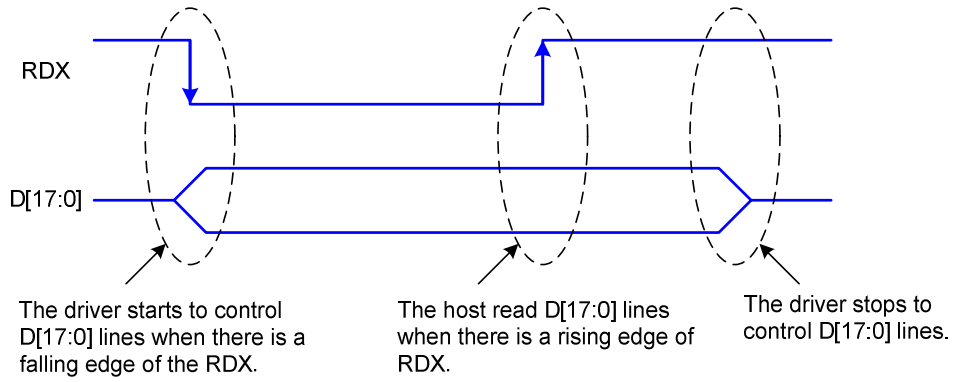


Figure 10 8080-series RDX protocol

Note: RDX is an unsynchronized signal (It can be stopped).

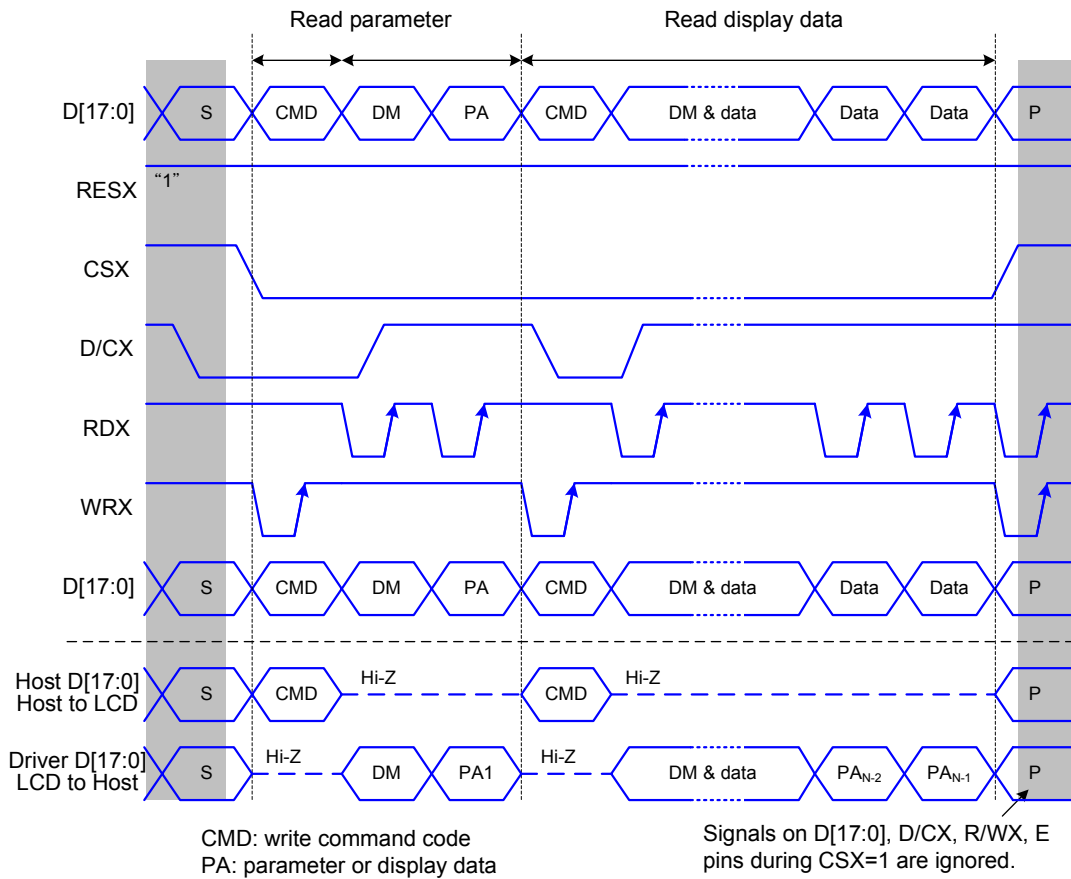


Figure 11 8080-series parallel bus protocol, read data from register or display RAM

8.3 8080-II series MCU Parallel Interface

The MCU uses one of following interface: 11-lines with 8-data parallel interface, 12-lines with 9-data parallel interface, 19-lines with 16-data parallel interface, or 21-lines with 18-data parallel interface. The chip-select CSX(active low) enables and disables the parallel interface. RESX (active low) is an external reset signal. The R/WX is the Read/Write flag and D[17:0] is parallel data bus.

The LCD driver reads the data at the rising edge of WRX signal. The D/CX is the data/command flag. When D/CX='1', D[17:0] bits is either display data or command parameter. When D/C='0', D[17:0] bits is command.

The 8080-II series bi-directional interface can be used for communication between the micro controller and LCD driver. Interface bus width can be selected with IM3, IM2, IM1 and IM0.The interface functions of 8080-II series parallel interface are given in Table 12 The function of 8080-II series parallel interface.

| IM3 | IM2 | IM1 | IM0 | Interface | D/CX | RDX | WRX | Function |
|-----|-----|-----|-----|-----------------|------|-----|-----|---|
| 1 | 0 | 0 | 0 | 16-bit Parallel | 0 | 1 | ↑ | Write 8-bit command (D[8:1]) |
| | | | | | 1 | 1 | ↑ | Write 16-bit display data or 8-bit parameter (D[17:10], D[8:1]) |
| | | | | | 1 | ↑ | 1 | Read 16-bit Display data (D[17:10], D[8:1]) |
| | | | | | 1 | ↑ | 1 | Read 8-bit parameter or status (D[8:1]) |
| 1 | 0 | 0 | 1 | 8-bit Parallel | 0 | 1 | ↑ | Write 8-bit command (D[17:10]) |
| | | | | | 1 | 1 | ↑ | Write 8-bit display data or 8-bit parameter (D[17:10]) |
| | | | | | 1 | ↑ | 1 | Read 8-bit Display data (D[17:10]) |
| | | | | | 1 | ↑ | 1 | Read 8-bit parameter or status (D[17:10]) |
| 1 | 0 | 1 | 0 | 18-bit Parallel | 0 | 1 | ↑ | Write 8-bit command (D[8:1]) |
| | | | | | 1 | 1 | ↑ | Write 18-bit display data or 8-bit parameter (D[17:0], D[8:1]) |
| | | | | | 1 | ↑ | 1 | Read 18-bit Display data (D[17:0]) |
| | | | | | 1 | ↑ | 1 | Read 8-bit parameter or status (D[8:1]) |
| 1 | 0 | 1 | 1 | 9-bit Parallel | 0 | 1 | ↑ | Write 8-bit command (D[17:10]) |
| | | | | | 1 | 1 | ↑ | Write 9-bit display data or 8-bit parameter (D[17:9]) |
| | | | | | 1 | ↑ | 1 | Read 9-bit Display data (D[17:9]) |
| | | | | | 1 | ↑ | 1 | Read 8-bit parameter or status (D[17:10]) |

Table 12 The function of 8080-II series parallel interface

8.4 Serial Interface

| IM3 | IM2 | IM1 | IM0 | Interface | Read back selection |
|-----|-----|-----|-----|----------------------------|--|
| 0 | 1 | 0 | 1 | 3-line serial interface I | Via the read instruction (8-bit, 24-bit and 32-bit read parameter) |
| 0 | 1 | 1 | 0 | 4-line serial interface I | |
| 1 | 1 | 0 | 1 | 3-line serial interface II | |
| 1 | 1 | 1 | 0 | 4-line serial interface II | |

Table 13 Selection of serial interface

The serial interface is either 3-lines/9-bits or 4-lines/8-bits bi-directional interface for communication between the micro controller and the LCD driver. The 3-lines serial interface use: CSX (chip enable), SCL (serial clock) and SDA (serial data input/output), and the 4-lines serial interface use: CSX (chip enable), D/CX (data/ command flag), SCL (serial clock) and SDA (serial data input/output). Serial clock (SCL) is used for interface with MCU only, so it can be stopped when no communication is necessary.

8.4.1 Pin description

3-line serial interface I

| Pin Name | Description |
|----------|--------------------------|
| CSX | Chip selection signal |
| DCX | Clock signal |
| SDA | Serial input/output data |

4-line serial interface I

| Pin Name | Description |
|----------|---|
| CSX | Chip selection signal |
| WRX | Data is regarded as a command when WRX is low Data is regarded as a parameter or data when WRX is high |
| DCX | Clock signal |
| SDA | Serial input/output data |

3-line serial interface II

| Pin Name | Description |
|----------|-----------------------|
| CSX | Chip selection signal |
| DCX | Clock signal |
| SDA | Serial input data |
| SDO | Serial output data |

4-line serial interface II

| Pin Name | Description |
|----------|---|
| CSX | Chip selection signal |
| WRX | Data is regarded as a command when WRX is low Data is regarded as a parameter or data when WRX is high |

| | |
|-----|--------------------|
| DCX | Clock signal |
| SDA | Serial input data |
| SDO | Serial output data |

Table 14 pin description of serial interface

8.4.2 Command write mode

The write mode of the interface means the micro controller writes commands and data to the LCD driver. 3-lines serial data packet contains a control bit D/CX and a transmission byte. In 4-lines serial interface, data packet contains just transmission byte and control bit D/CX is transferred by the D/CX pin. If D/CX is “low”, the transmission byte is interpreted as a command byte. If D/CX is “high”, the transmission byte is stored in the display data RAM (memory write command), or command register as parameter.

Any instruction can be sent in any order to the driver. The MSB is transmitted first. The serial interface is initialized when CSX is high. In this state, SCL clock pulse or SDA data have no effect. A falling edge on CSX enables the serial interface and indicates the start of data transmission.

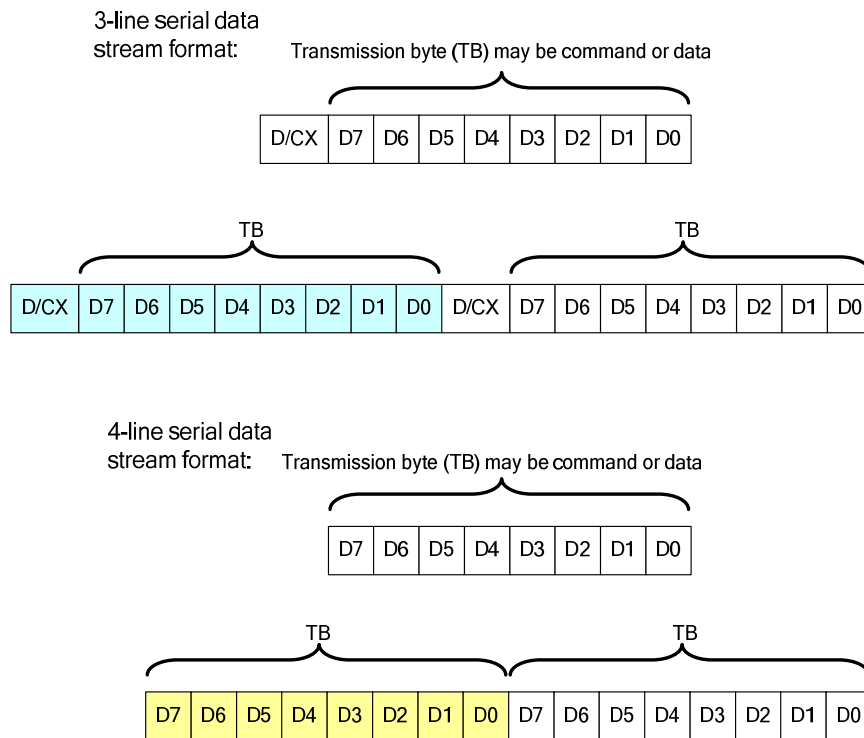


Figure 12 Serial interface data stream format

When CSX is “high”, SCL clock is ignored. During the high period of CSX the serial interface is initialized. At the falling edge of CSX, SCL can be high or low. SDA is sampled at the rising edge of SCL. D/CX indicates whether the byte is command (D/CX=’0’) or parameter/RAM data (D/CX=’1’). D/CX is sampled when first rising edge of SCL (3-line serial interface) or 8th rising edge of SCL (4-line serial interface). If CSX stays low after the last bit of command/data byte, the serial interface expects the D/CX bit (3-line serial interface) or D7

(4-line serial interface) of the next byte at the next rising edge of SCL..

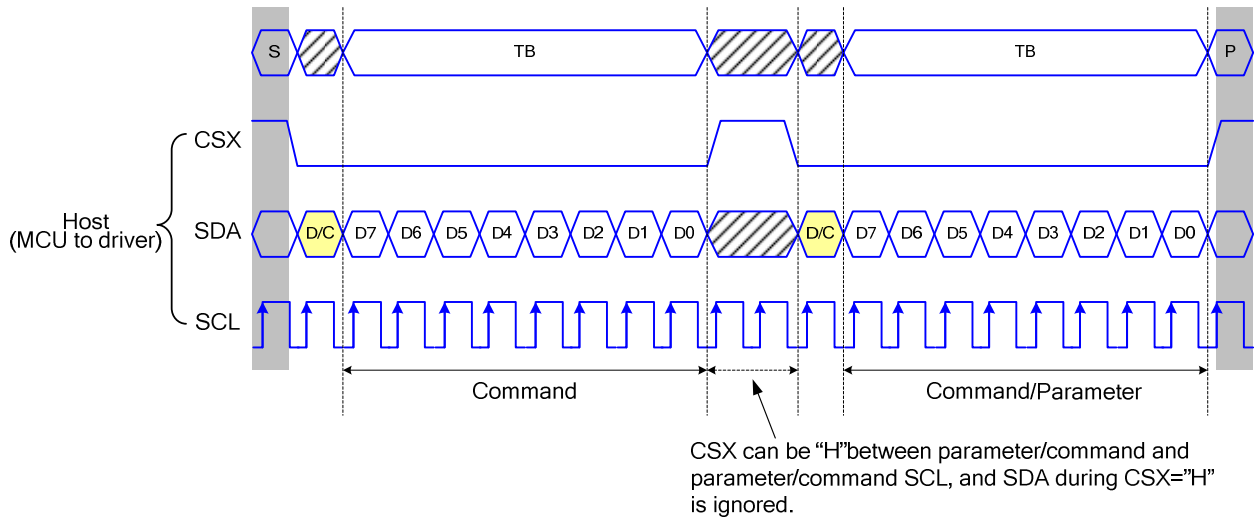


Figure 13 3-line serial interface write protocol (write to register with control bit in transmission)

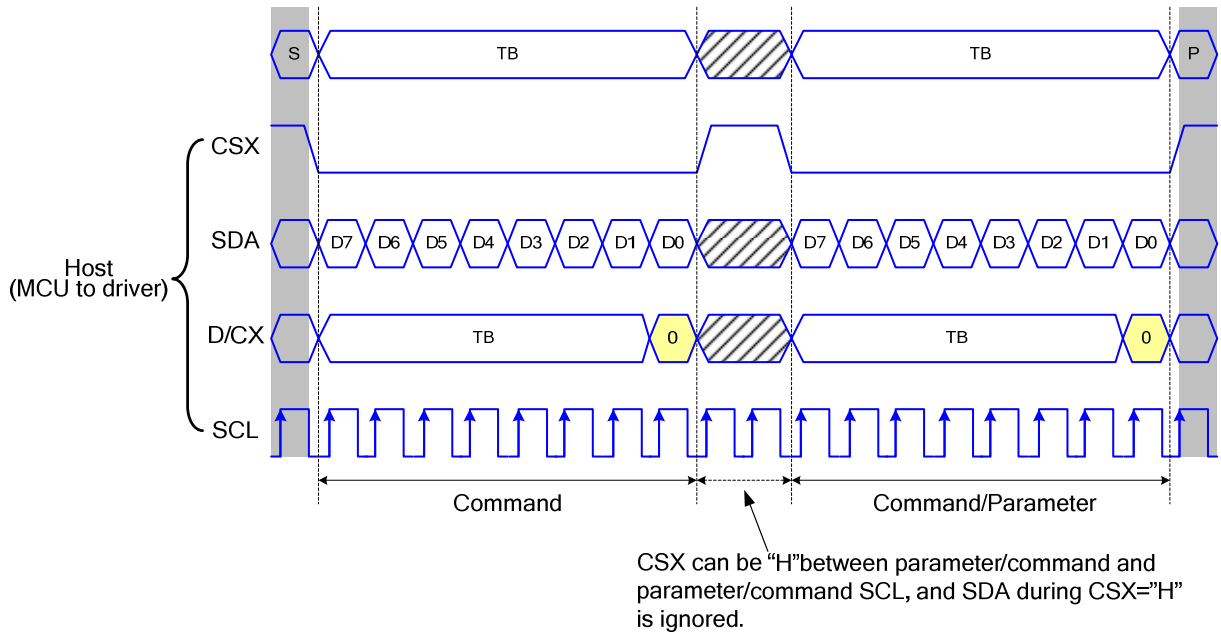


Figure 14 4-line serial interface write protocol (write to register with control bit in transmission)

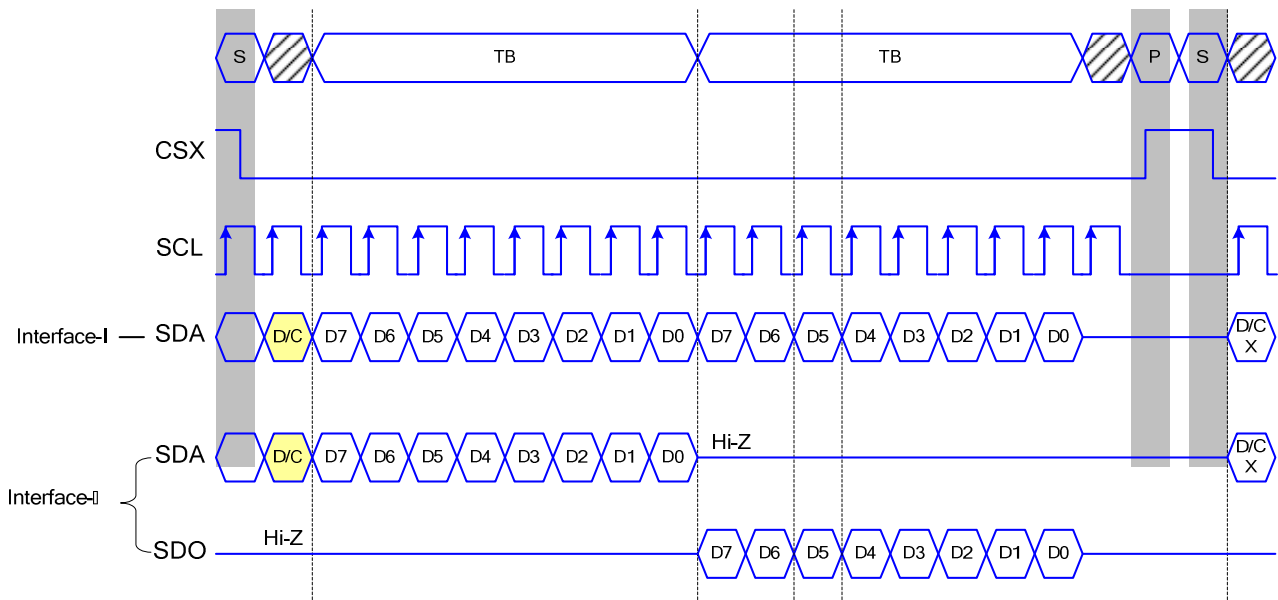
8.4.3 Read function

The read mode of the interface means that the micro controller reads register value from the driver. To achieve read function, the micro controller first has to send a command (read ID or register command) and then the following byte is transmitted in the opposite direction. After that CSX is required to go to high before a new command is send (see the below figure). The driver samples the SDA (input data) at rising edge of SCL, but shifts SDA (output data) at the falling edge of SCL. Thus the micro controller is supported to read at the rising edge of SCL.

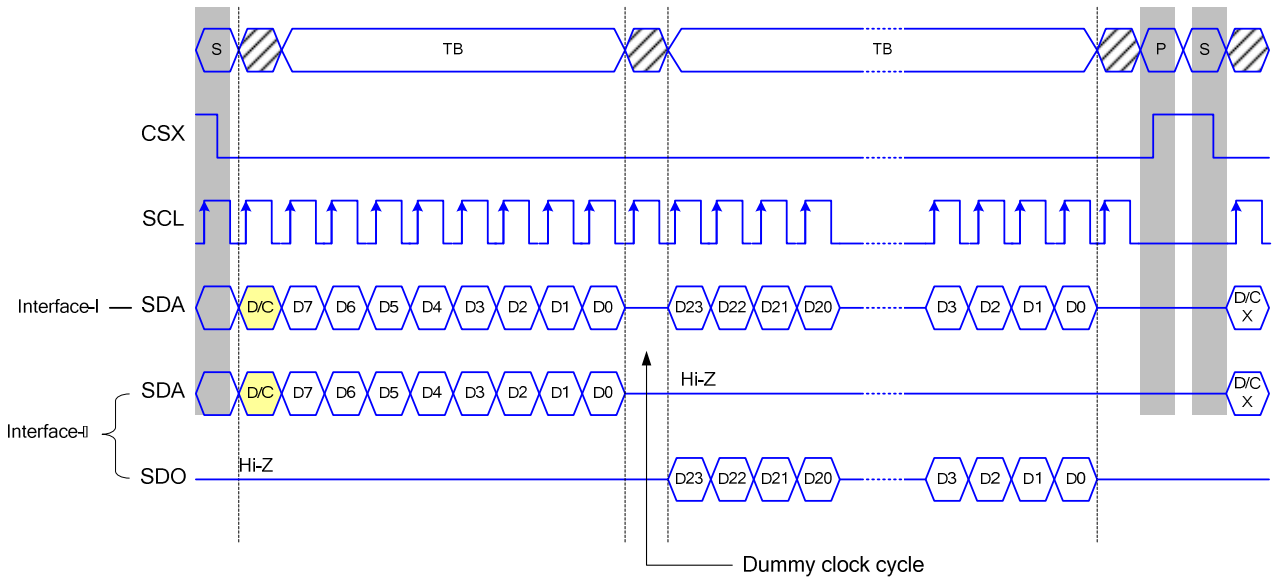
After the read status command has been sent, the SDA line must be set to tri-state no later than at the falling edge of SCL of the last bit.

8.4.4 3-line serial interface I / II protocol

3-line serial protocol (for RDID1/RDID2/RDID3/0Ah/0Bh/0Ch/0Dh/0Eh/0Fh command: 8-bit read):



3-line serial protocol (for RDDID command: 24-bit read)



3-line Serial Protocol (for RDDST command: 32-bit read)

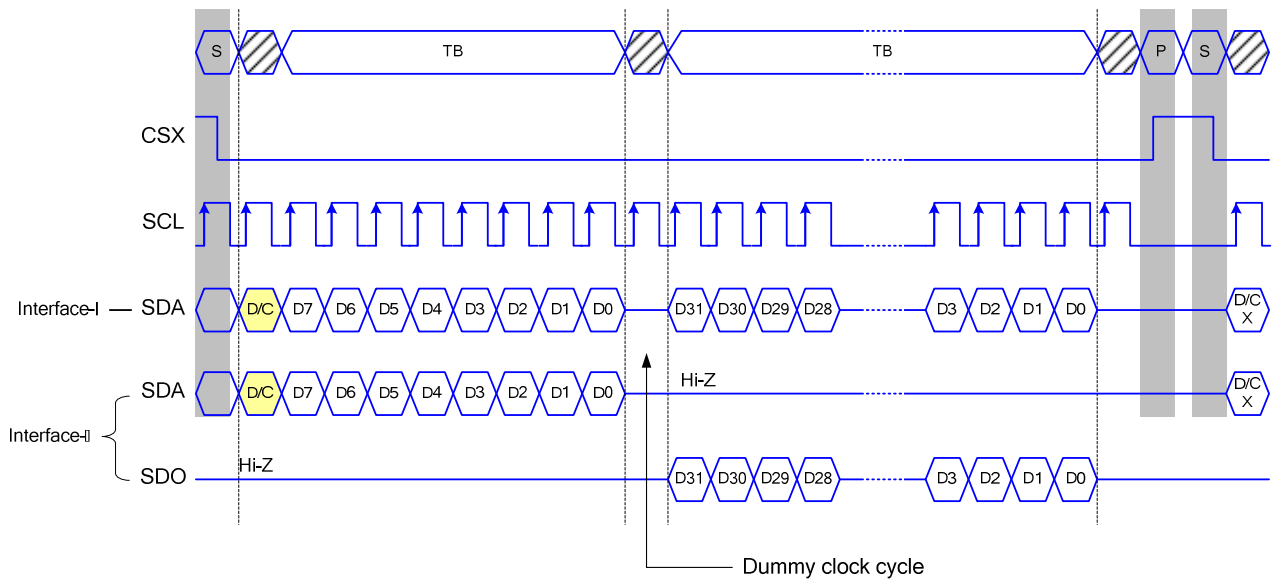
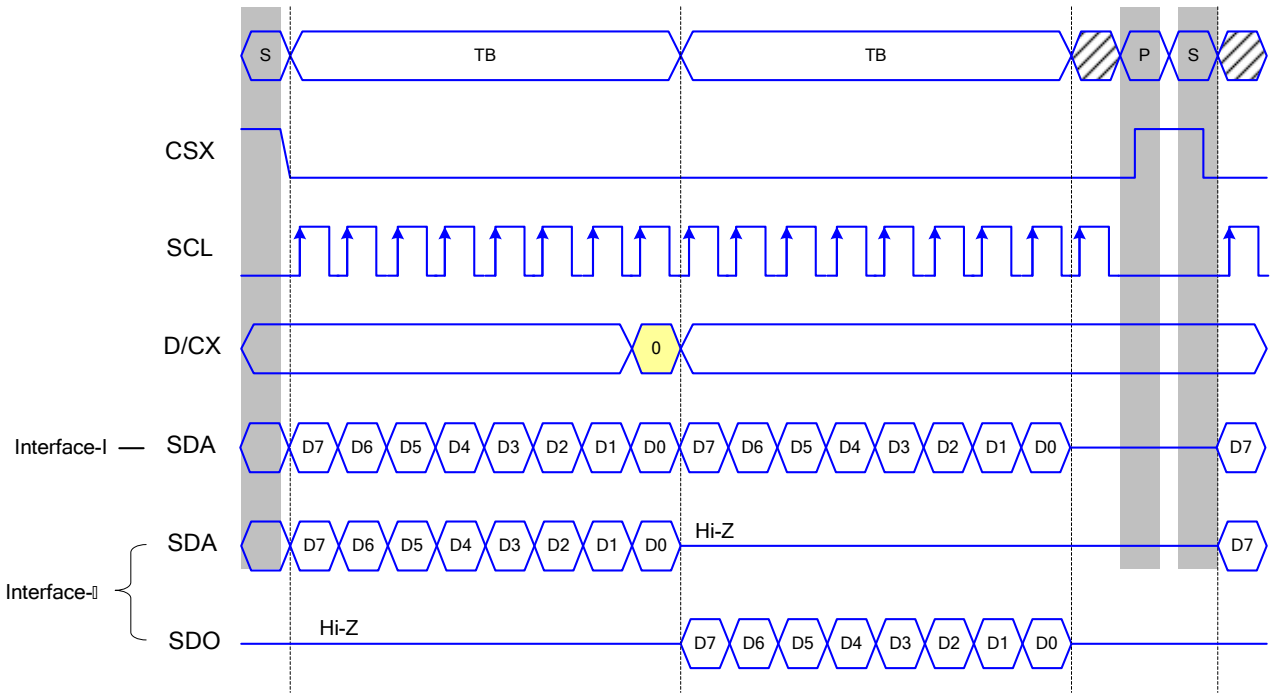


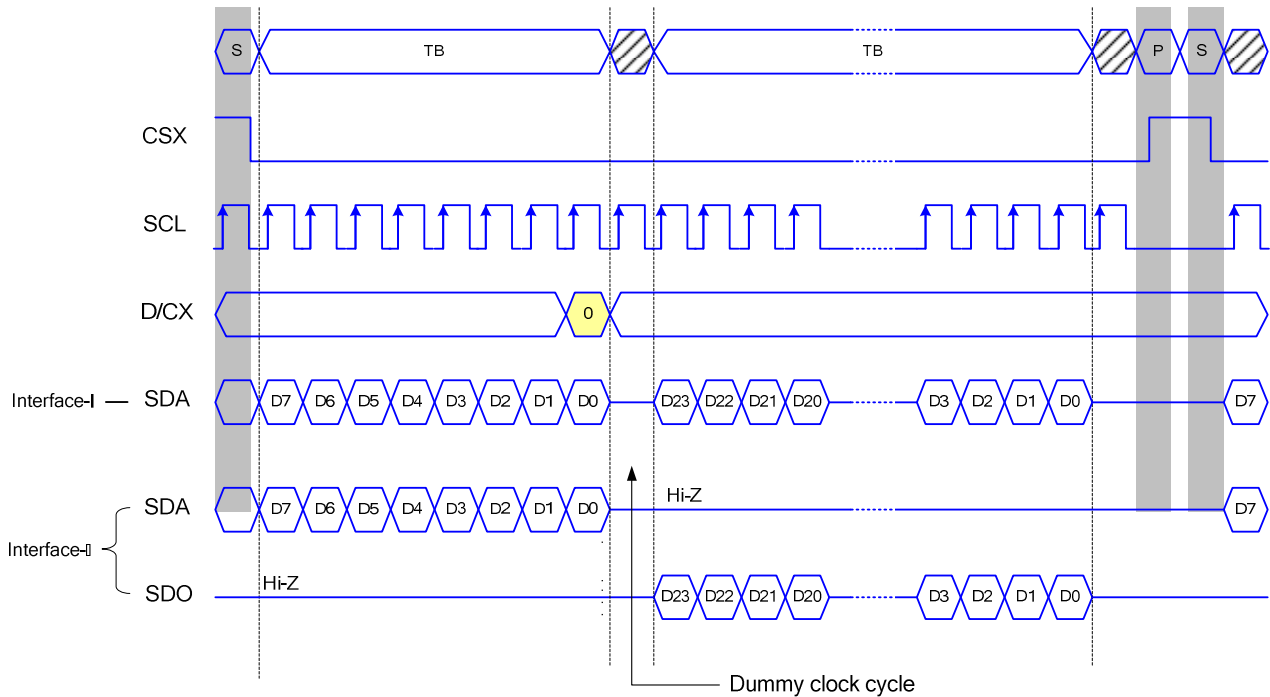
Figure 15 3-line serial interface read protocol

8.4.5 4-line serial protocol

4-line serial protocol (for RDID1/RDID2/RDID3/0Ah/0Bh/0Ch/0Dh/0Eh/0Fh command: 8-bit read):



4-line serial protocol (for RDDID command: 24-bit read)



4-line Serial Protocol (for RDDST command: 32-bit read)

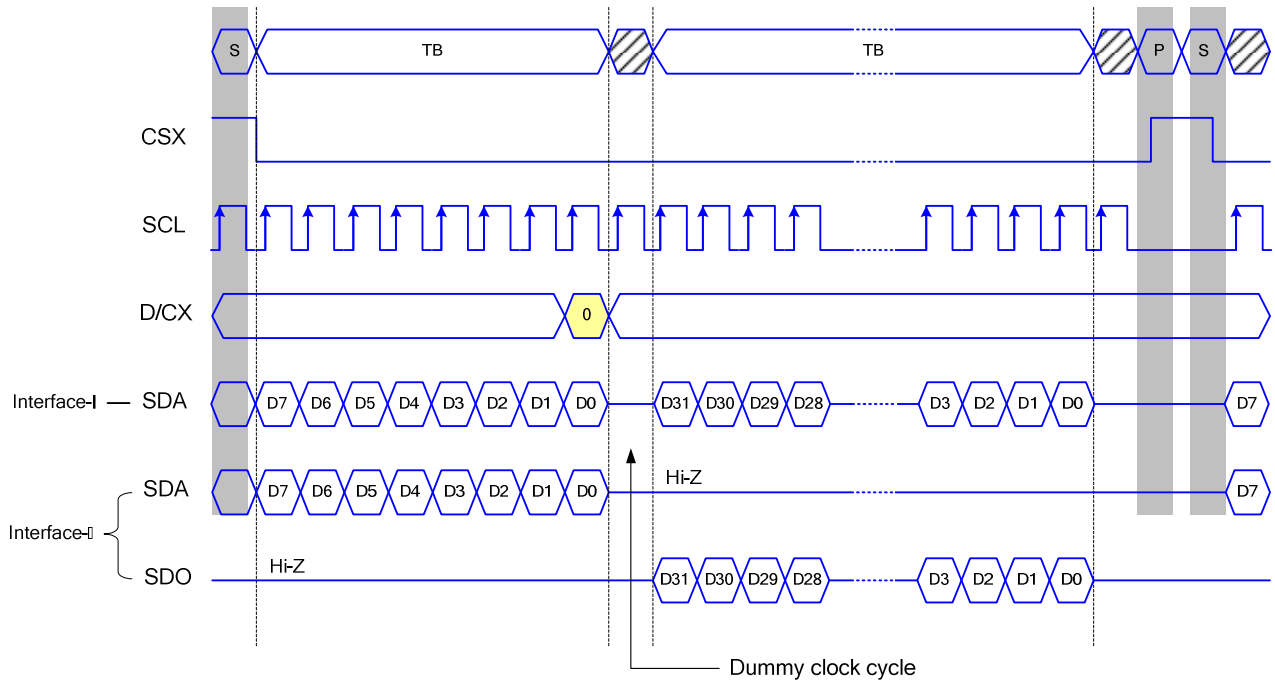


Figure 16 4-line serial interface read protocol

8.4.6 2 data lane serial Interface

Interface selection:

| IM3 | IM2 | IM1 | IM0 | Interface | Read back selection |
|-----|-----|-----|-----|------------------------------|--|
| 0 | 1 | 0 | 1 | 2 data lane serial interface | Via the read instruction (8-bit, 24-bit and 32-bit read) |

Table 15 IM pin selection

2-wire data lane serial interface use: CSX (chip enable), DCX (serial clock) and SDA (serial data input/output 1), and WRX (serial data input 2). To enter this interface, command E7h need set 10h.

2 data lane hardware suggestion and Pin description:

2 data lane serial interface, IM[3:0]=0101

2 data lane serial interface

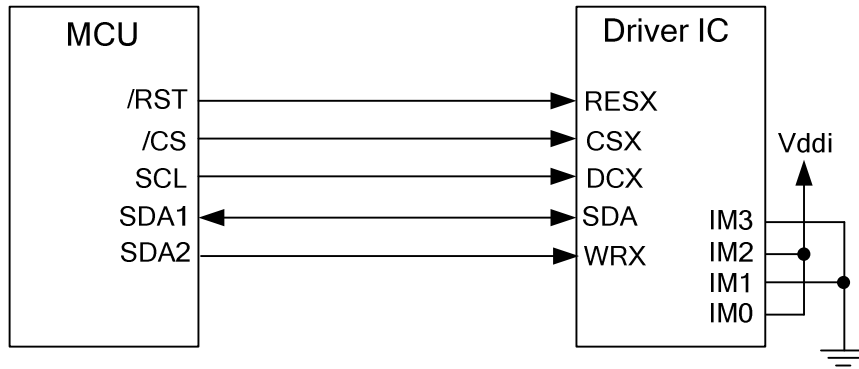


Figure 17 Hardware suggestion of 2 data lane serial interface

| Pin Name | Description |
|----------|---------------------------|
| CSX | Chip selection signal |
| DCX | Clock signal |
| SDA | Serial data input/output1 |
| WRX | Serial data input2 |

Table 16 Pin description of 2 data lane serial interface

Command write mode:

The command write protocol of 2-wire data lane serial interface is the same with the 3-line serial interface, so users can ignore the input data of WRX.

Any instruction can be sent in any order to the driver. The MSB is transmitted first. The serial interface is initialized when CSX is high. In this state, SCL clock pulse or SDA data have no effect. A falling edge on CSX enables the serial interface and indicates the start of data transmission.

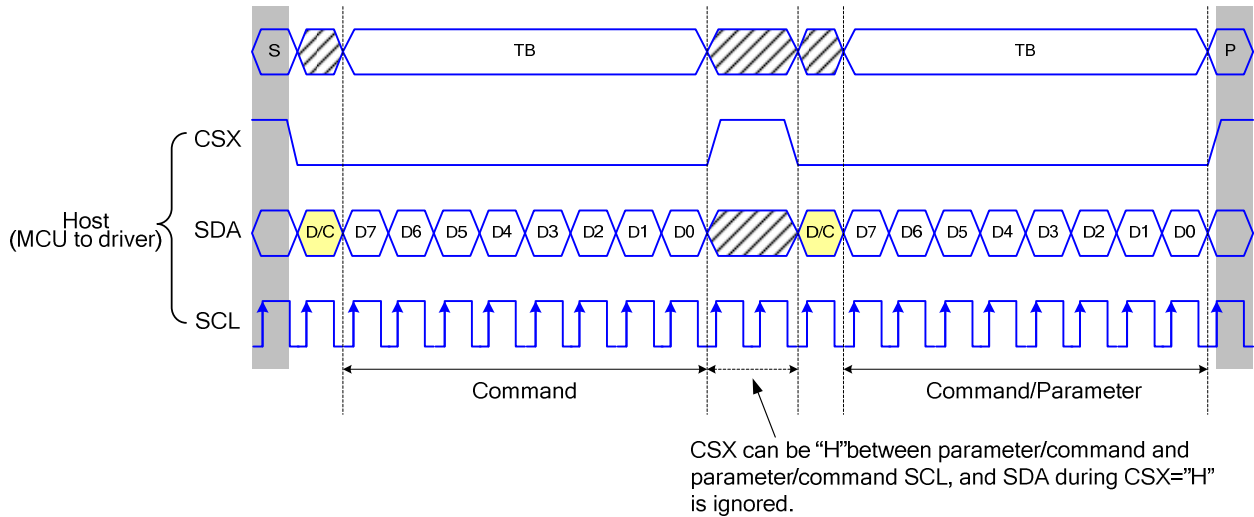


Figure 18 3-line serial interface write protocol (write to register with control bit in transmission)

SRAM write mode:

The SRAM write mode of 2-wire data line serial interface need use SDA pin and WRX pin to be data input pins.

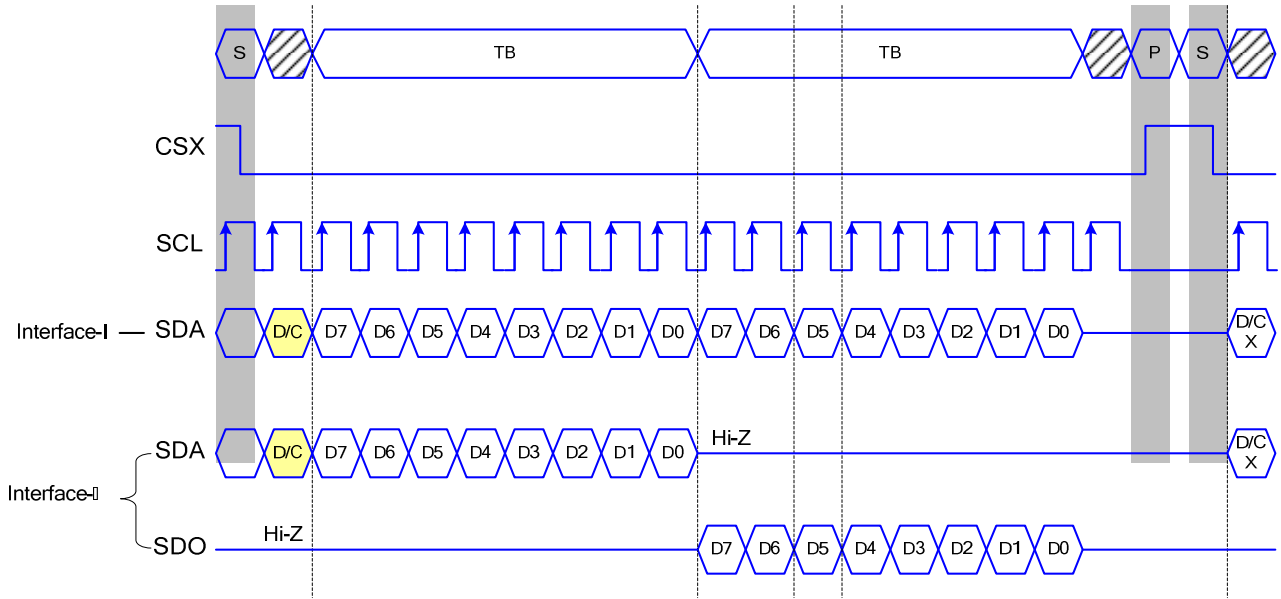
Read function:

The read mode of 2-wire data lane serial interface is the same with the 3-line serial interface and WRX pin can be ignored. To achieve read function, the micro controller first has to send a command (read ID or register command) and then the following byte is transmitted in the opposite direction. After that CSX is required to go to high before a new command is send (see the below figure). The driver samples the SDA (input data) at rising edge of SCL, but shifts SDA (output data) at the falling edge of SCL. Thus the micro controller is supported to read at the rising edge of SCL.

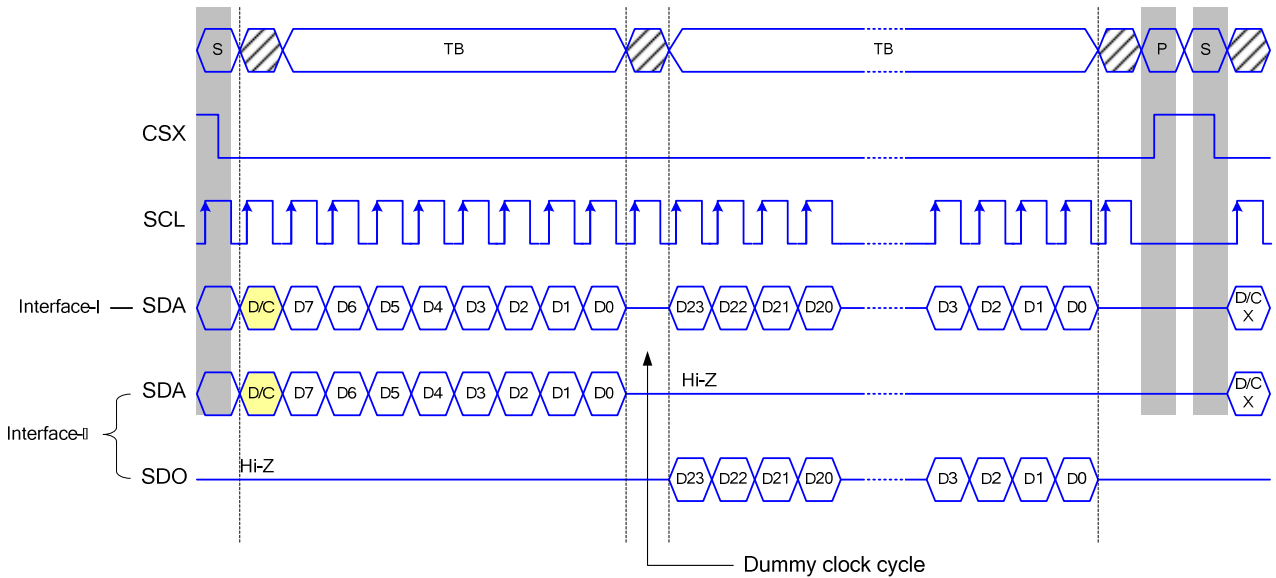
After the read status command has been sent, the SDA line must be set to tri-state no later than at the falling edge of SCL of the last bit.

3-line serial interface I / II protocol:

3-line serial protocol (for RDID1/RDID2/RDID3/0Ah/0Bh/0Ch/0Dh/0Eh/0Fh command: 8-bit read):



3-line serial protocol (for RDDID command: 24-bit read)



3-line Serial Protocol (for RDDST command: 32-bit read)

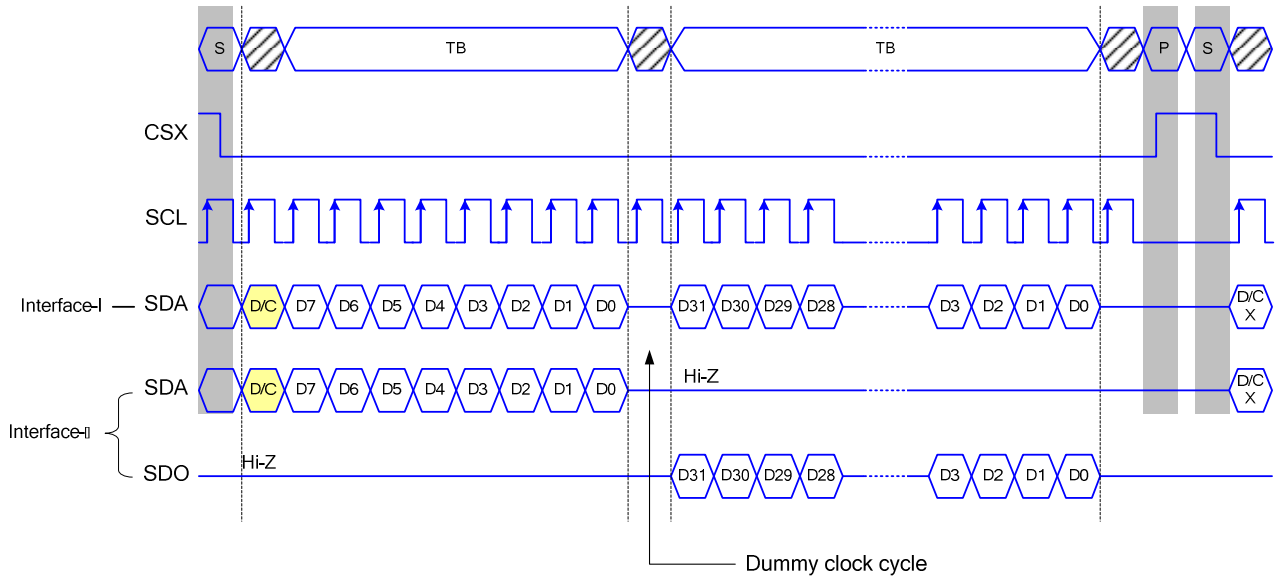


Figure 19 3-line serial interface read protocol

8.5 Data Transfer Break and Recovery

If there is a break in data transmission by RESX pulse, while transferring a command or frame memory data or multiple parameter command data, before Bit D0 of the byte has been completed, then driver will reject the previous bits and have reset the interface such that it will be ready to receive command data again when the chip select line (CSX) is next activated after RESX have been HIGH state.

If there is a break in data transmission by CSX pulse, while transferring a command or frame memory data or multiple parameter command data, before Bit D0 of the byte has been completed, then driver will reject the previous bits and have reset the interface such that it will be ready to receive the same byte re-transmitted when the chip select line (CSX) is next activated.

If 1, 2 or more parameter commands are being sent and a break occurs while sending any parameter before the last one and if the host then sends a new command rather than re-transmitting the parameter that was interrupted, then the parameters that were successfully sent are stored and the parameter where the break occurred is rejected. The interface is ready to receive next byte as shown below.

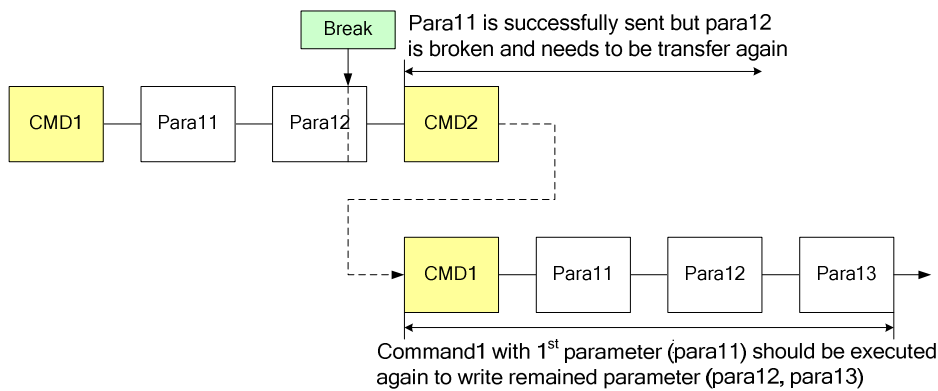


Figure 20 Write interrupts recovery (serial interface)

If a 2 or more parameter commands are being sent and a break occurs by the other command before the last one is sent, then the parameters that were successfully sent are stored and the other parameter of that command remains previous value.

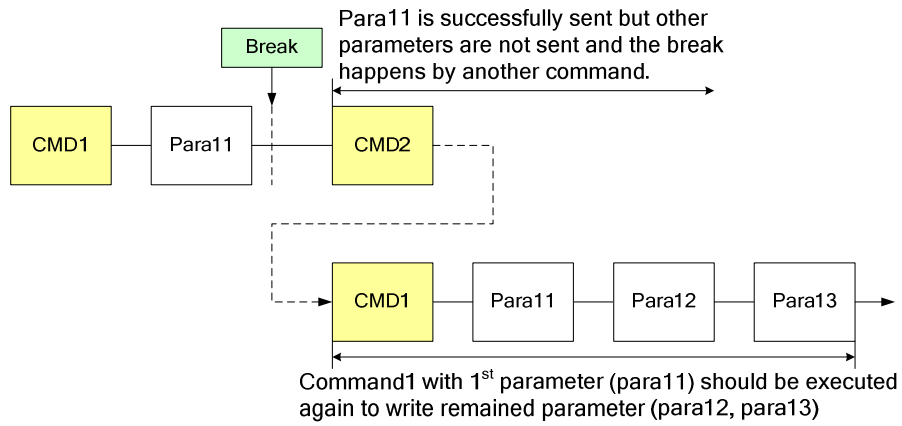


Figure 21 Write interrupts recovery (both serial and parallel Interface)

8.6 Data Transfer Pause

It will be possible when transferring a command, frame memory data or multiple parameter data to invoke a pause in the data transmission. If the chip select line is released after a whole byte of a frame memory data or multiple parameter data has been completed, then driver will wait and continue the frame memory data or parameter data transmission from the point where it was paused. If the chip select Line is released after a whole byte of a command has been completed, then the display module will receive either the command's parameters (if appropriate) or a new command when the chip select line is next enabled as shown below.

This applies to the following 4 conditions:

- 1) Command-Pause-Command
- 2) Command-Pause-Parameter
- 3) Parameter-Pause-Command
- 4) Parameter-Pause-Parameter

8.6.1 Parallel interface pause

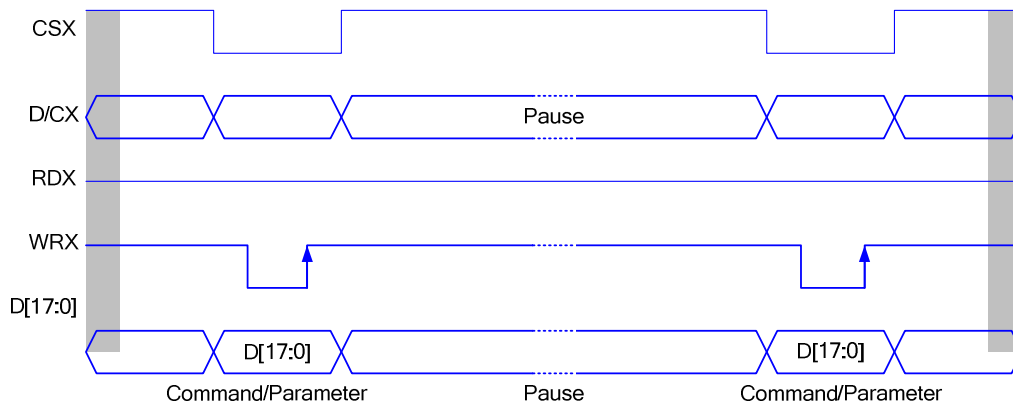


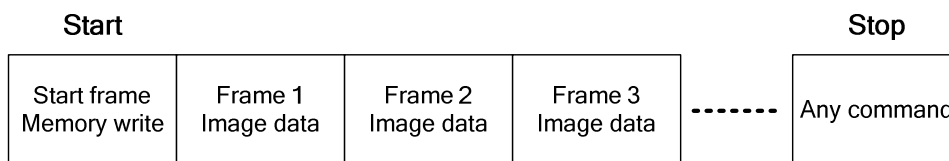
Figure 22 Parallel bus pause protocol (paused by CSX)

8.7 Data Transfer Mode

The module has three kinds color modes for transferring data to the display RAM. These are 12-bit color per pixel, 16-bit color per pixel and 18-bit color per pixel. The data format is described for each interface. Data can be downloaded to the frame memory by 2 methods.

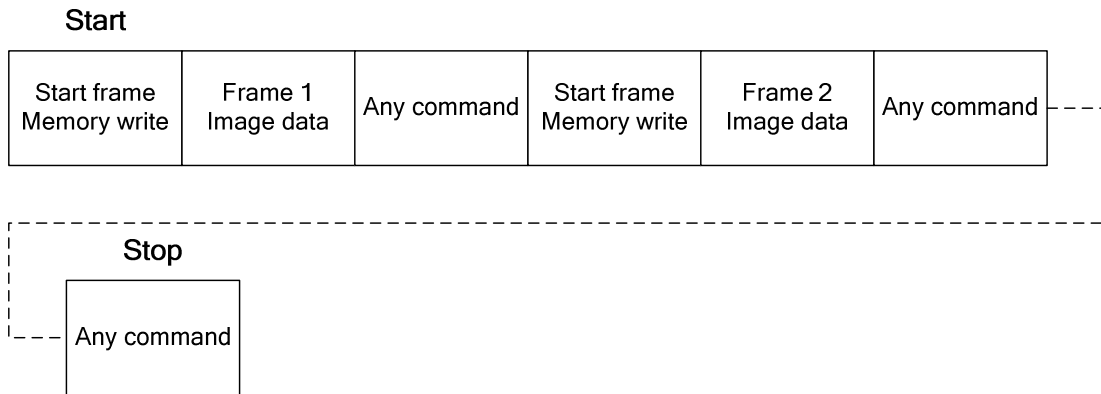
8.7.1 Method 1

The image data is sent to the frame memory in successive frame writes, each time the frame memory is filled, the frame memory pointer is reset to the start point and the next frame is written.



8.7.2 Method 2

The image data is sent and at the end of each frame memory download, a command is sent to stop frame memory write. Then start memory write command is sent, and a new frame is downloaded.



Note 1: These apply to all data transfer Color modes on both serial and parallel interfaces.

Note 2: The frame memory can contain both odd and even number of pixels for both methods. Only complete pixel data will be stored in the frame memory.

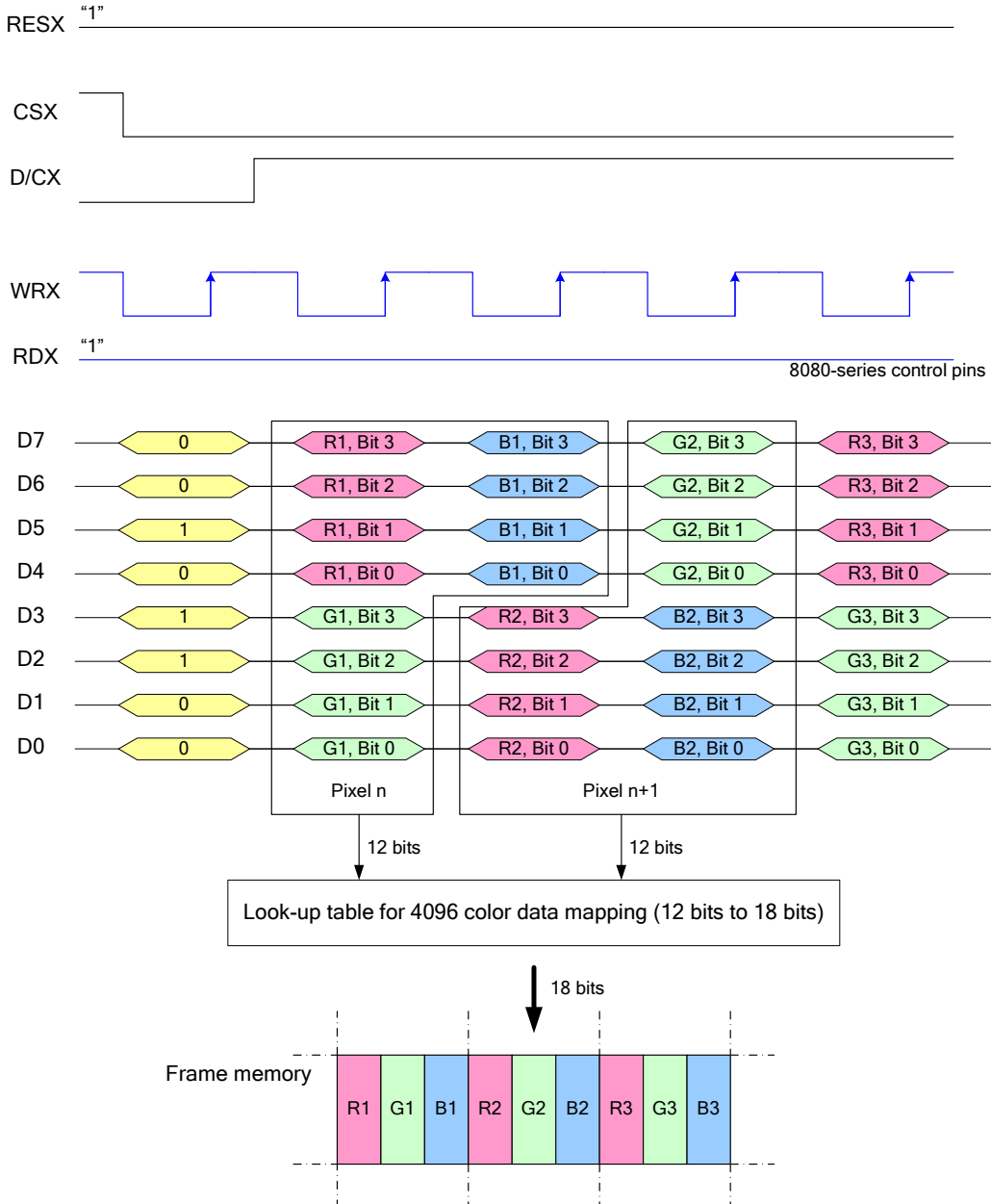
8.8 Data Color Coding

8.8.1 8080- I series 8-bit Parallel Interface

The 8080- I series 8-bit parallel interface of ST7789V2 can be used by setting IM[3:0]=”0000b”. Different display data formats are available for three Colors depth supported by listed below.

- 4k colors, RGB 4,4,4-bit input.
- 65k colors, RGB 5,6,5-bit input.
- 262k colors, RGB 6,6,6-bit input.

8.8.2 8-bit data bus for 12-bit/pixel (RGB 4-4-4-bit input), 4K-Colors, 3Ah=”03h”



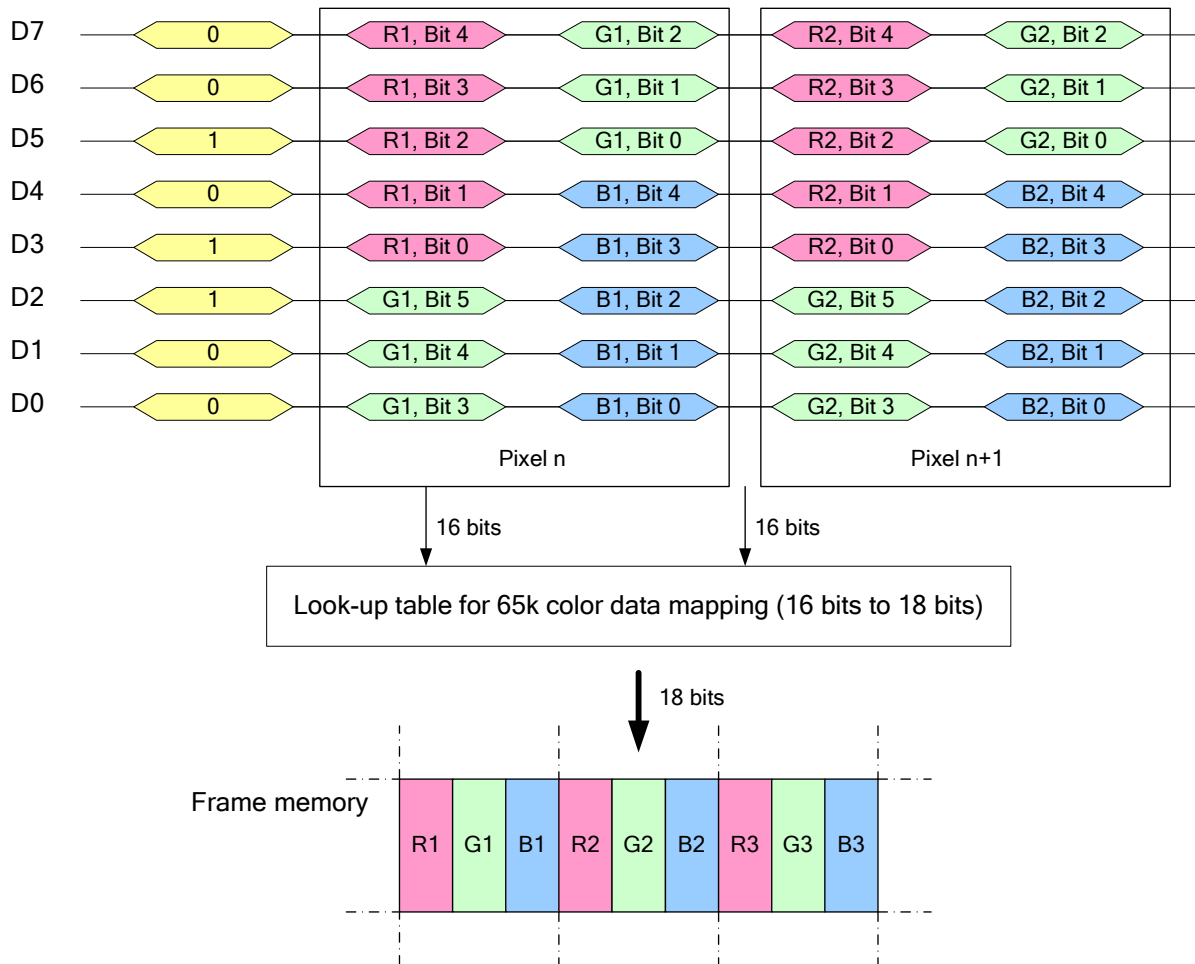
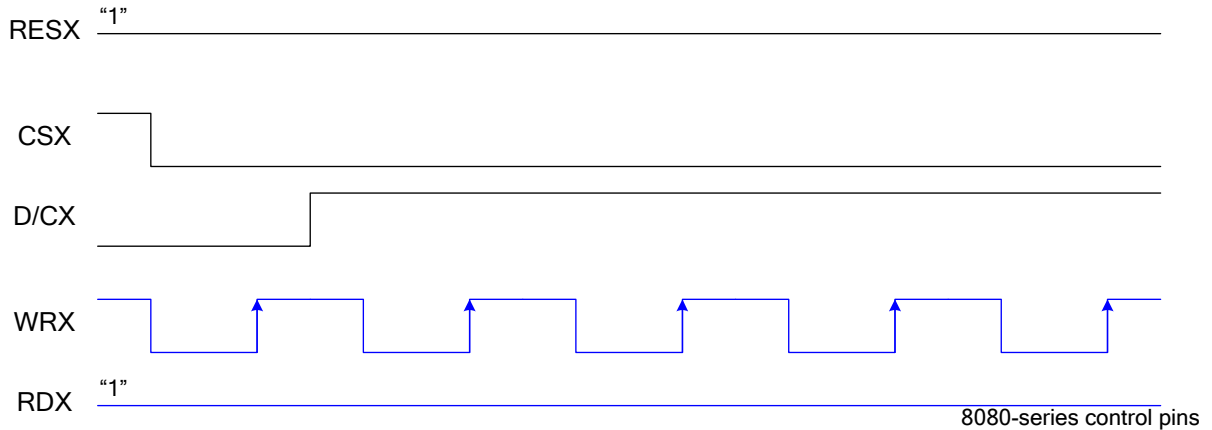
Note 1: The data order is as follows, MSB=D7, LSB=D0 and picture data is MSB=Bit 3, LSB=Bit 0 for Red, Green and Blue data.

Note 2: 3-time transfer is used to transmit 2 pixel data with the 12-bit color depth information.

Note 3: ‘-’ = Don’t care – Can be set to ‘0’ or ‘1’

8.8.3 8-bit data bus for 16-bit/pixel (RGB 5-6-5-bit input), 65K-Colors, 3Ah="05h"

There is 1pixel (3 sub-pixels) per 2-byte



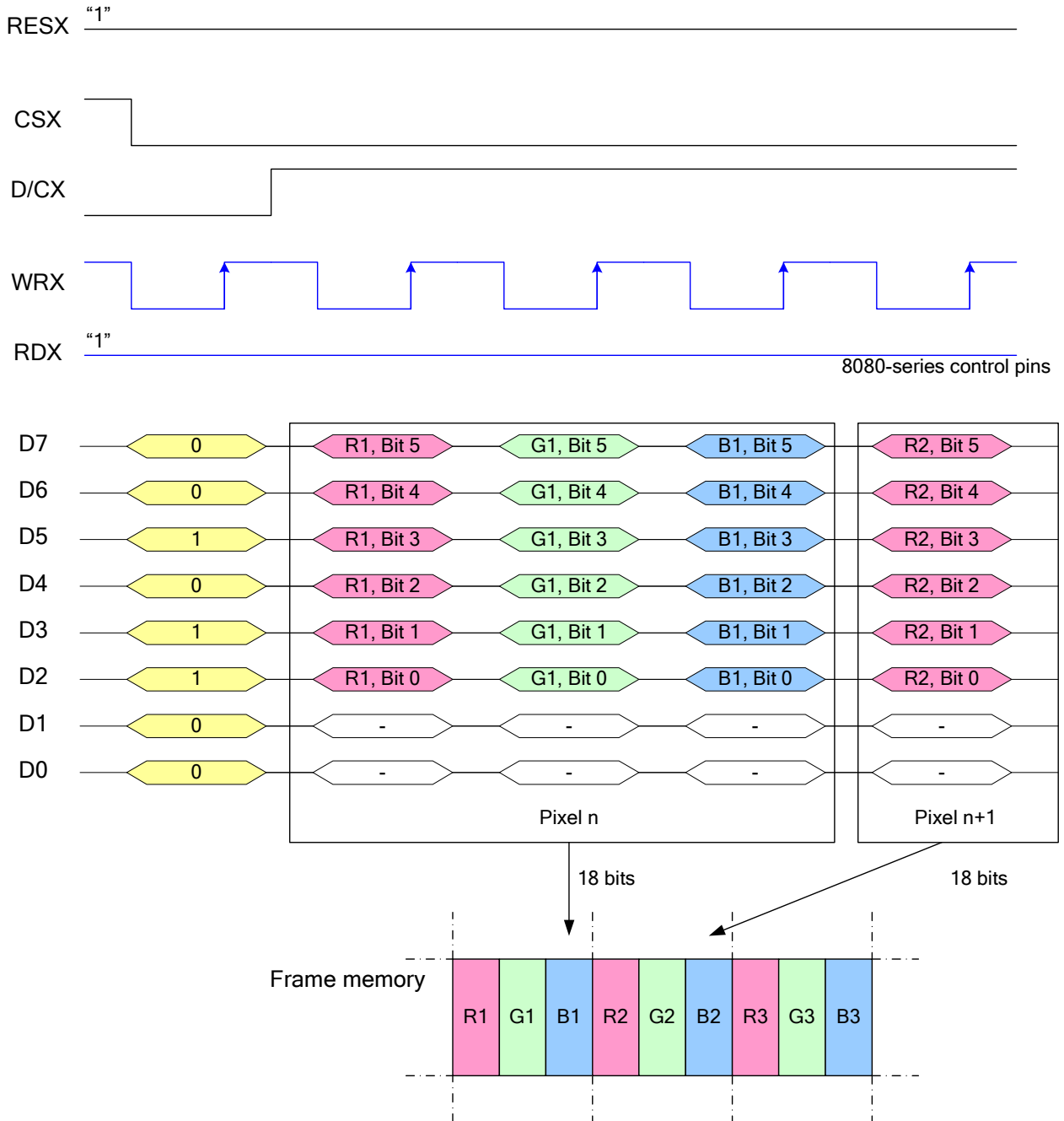
Note 1: The data order is as follows, MSB=D15, LSB=D0 and picture data is MSB=Bit 5, LSB=Bit 0 for Green, and MSB=Bit 4, LSB=Bit 0 for Red and Blue data.

Note 2: 2-times transfer is used to transmit 1 pixel data with the 16-bit color depth information.

Note 3: '-' = Don't care – Can be set to '0' or '1'

8.8.4 8-bit data bus for 18-bit/pixel (RGB-6-6-6-bit input), 262K-Colors, 3Ah="06h"

There is 1pixel (3 sub-pixels) per 3-bytes.



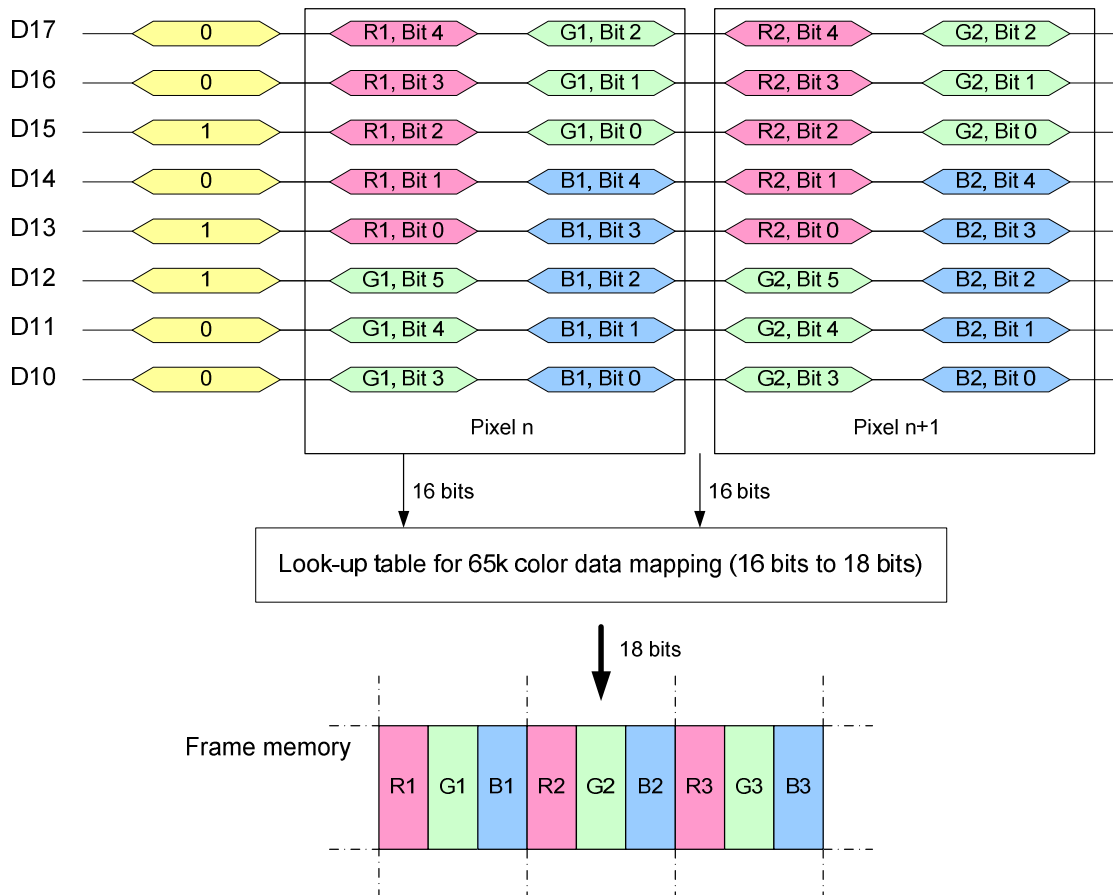
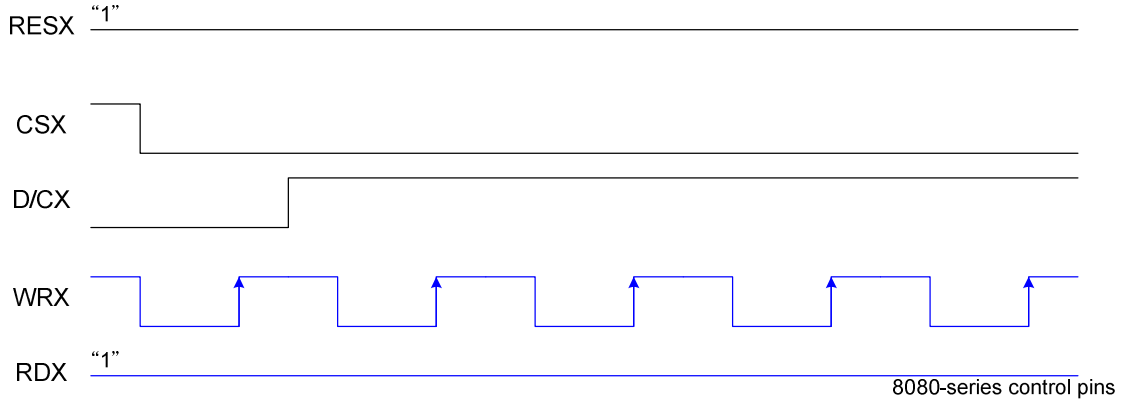
Note 1: The data order is as follows, MSB=D7, LSB=D0 and picture data is MSB=Bit 5, LSB=Bit 0 for Red, Green and Blue data.
 Note 2: 3-times transfer is used to transmit 1 pixel data with the 18-bit color depth information.
 Note 3: '-' = Don't care – Can be set to '0' or '1'

8.8.5 8080- II series 8-bit Parallel Interface

The 8080- II series 8-bit parallel interface of ST7789V2 can be used by setting IM[3:0]="1001b". Different display data formats are available for three Colors depth supported by listed below.

- 65k colors, RGB 5,6,5-bit input.
- 262k colors, RGB 6,6,6-bit input.

8.8.6 8-bit data bus for 16-bit/pixel (RGB 5-6-5-bit input), 65K-Colors, 3Ah="05h"

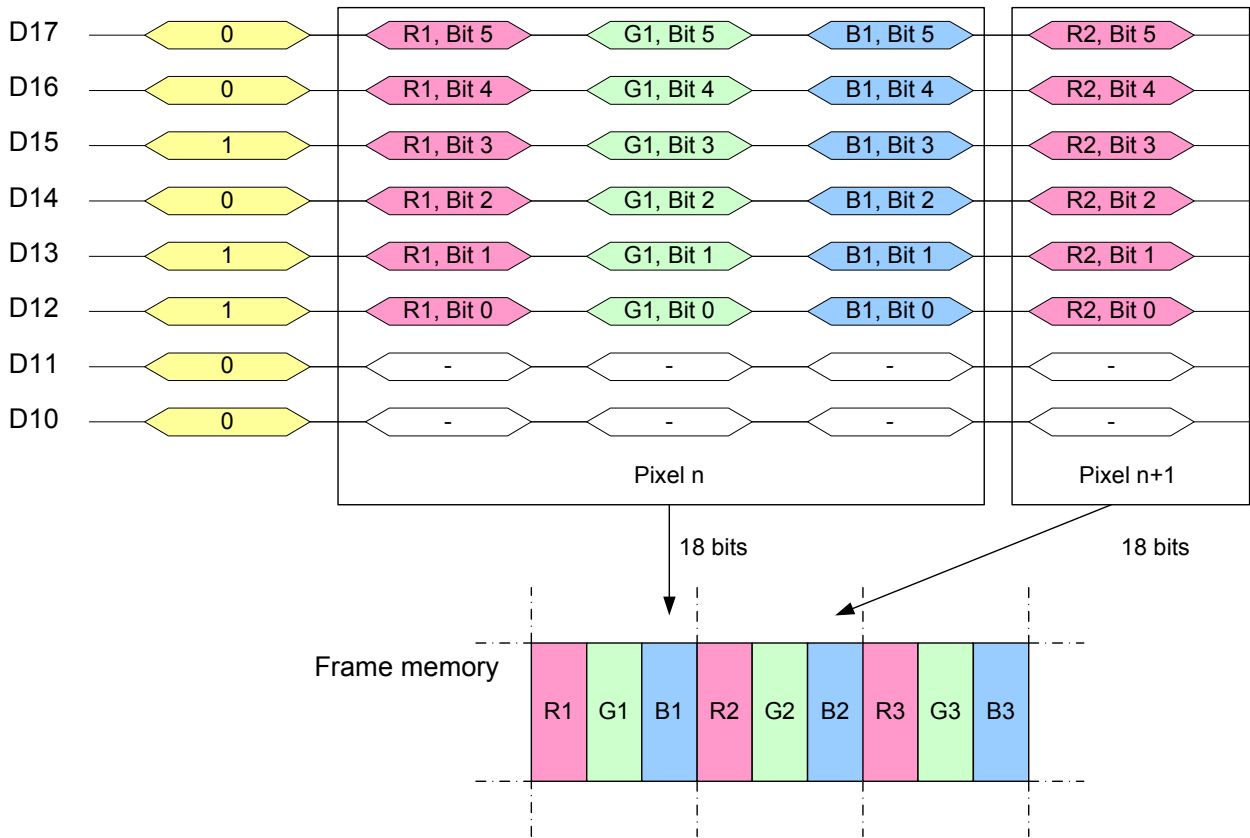
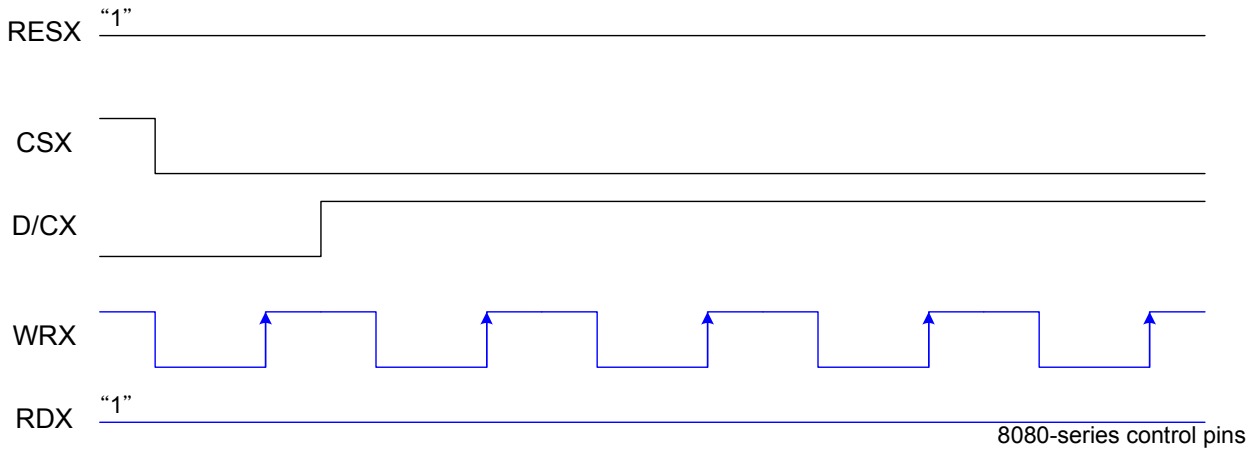


Note 1: The data order is as follows, MSB=D17, LSB=D10 and picture data is MSB=Bit 5, LSB=Bit 0 for Green, and MSB=Bit 4, LSB=Bit 0 for Red and Blue data.

Note 2: 2-times transfer transmit 1 pixel data with the 16-bit color depth information.

Note 3: '-' = Don't care – Can be set to '0' or '1'

8.8.7 8-bit data bus for 18-bit/pixel (RGB 6-6-6-bit input), 262K-Colors, 3Ah="06h"



Note 1: The data order is as follows, MSB=D17, LSB=D10 and picture data is MSB=Bit 5, LSB=Bit 0 for Red, Green and Blue data.
 Note 2: 3-times transfer is used to transmit 1 pixel data with the 18-bit color depth information.
 Note 3: '-' = Don't care – Can be set to '0' or '1'

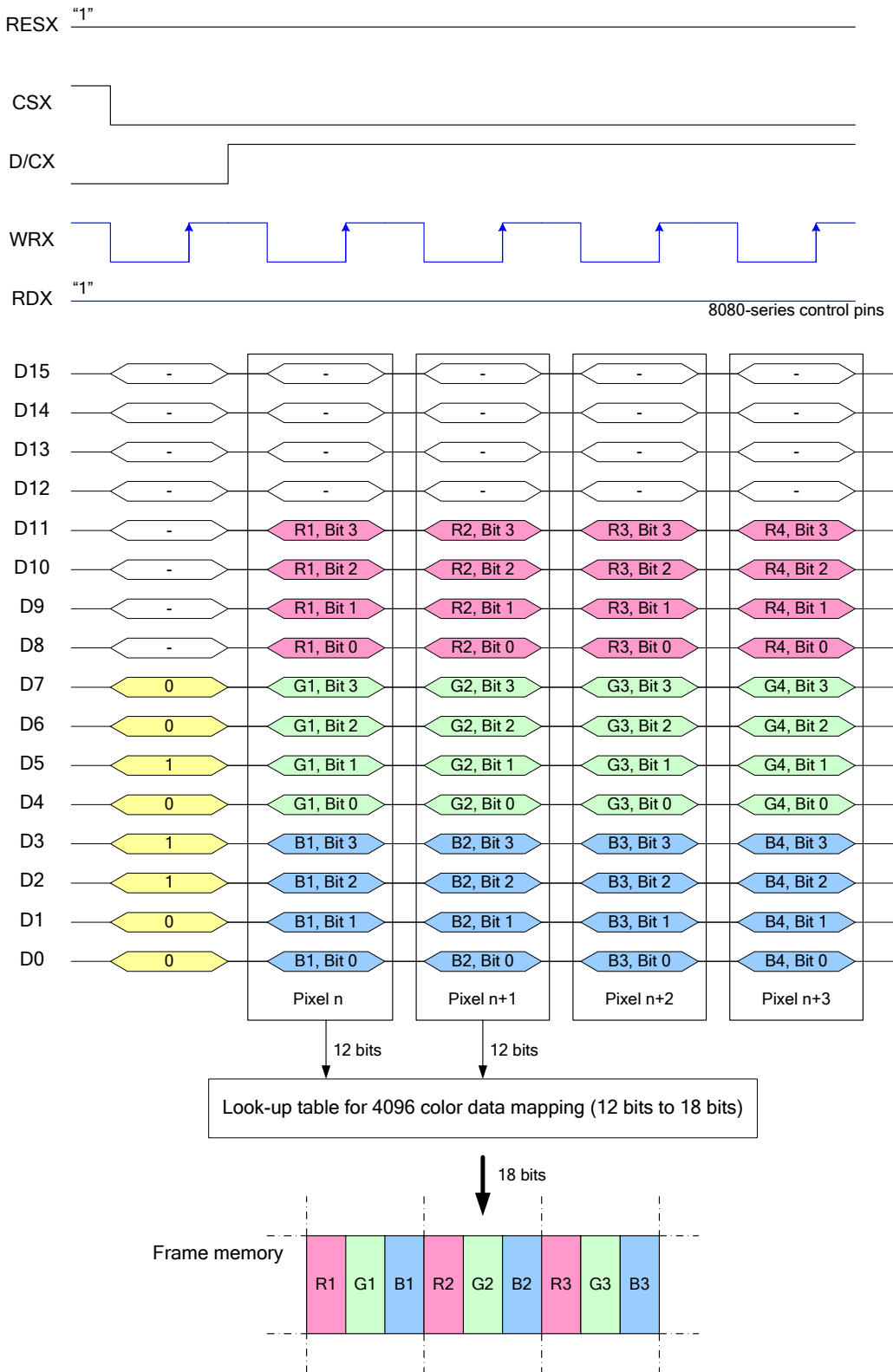
8.8.8 8080- I series 16-Bit Parallel Interface

The 8080- I series 16-bit parallel interface of ST7789V2 can be used by setting IM[3:0]="0001b". Different display data formats are available for three colors depth supported by listed below.

- 4k colors, RGB 4,4,4-bit input
- 65k colors, RGB 5,6,5-bit input
- 262k colors, RGB 6,6,6-bit input

8.8.9 16-bit data bus for 12-bit/pixel (RGB 4-4-4-bit input), 4K-Colors, 3Ah="03h"

There is 1pixel (3 sub-pixels) per 1byte

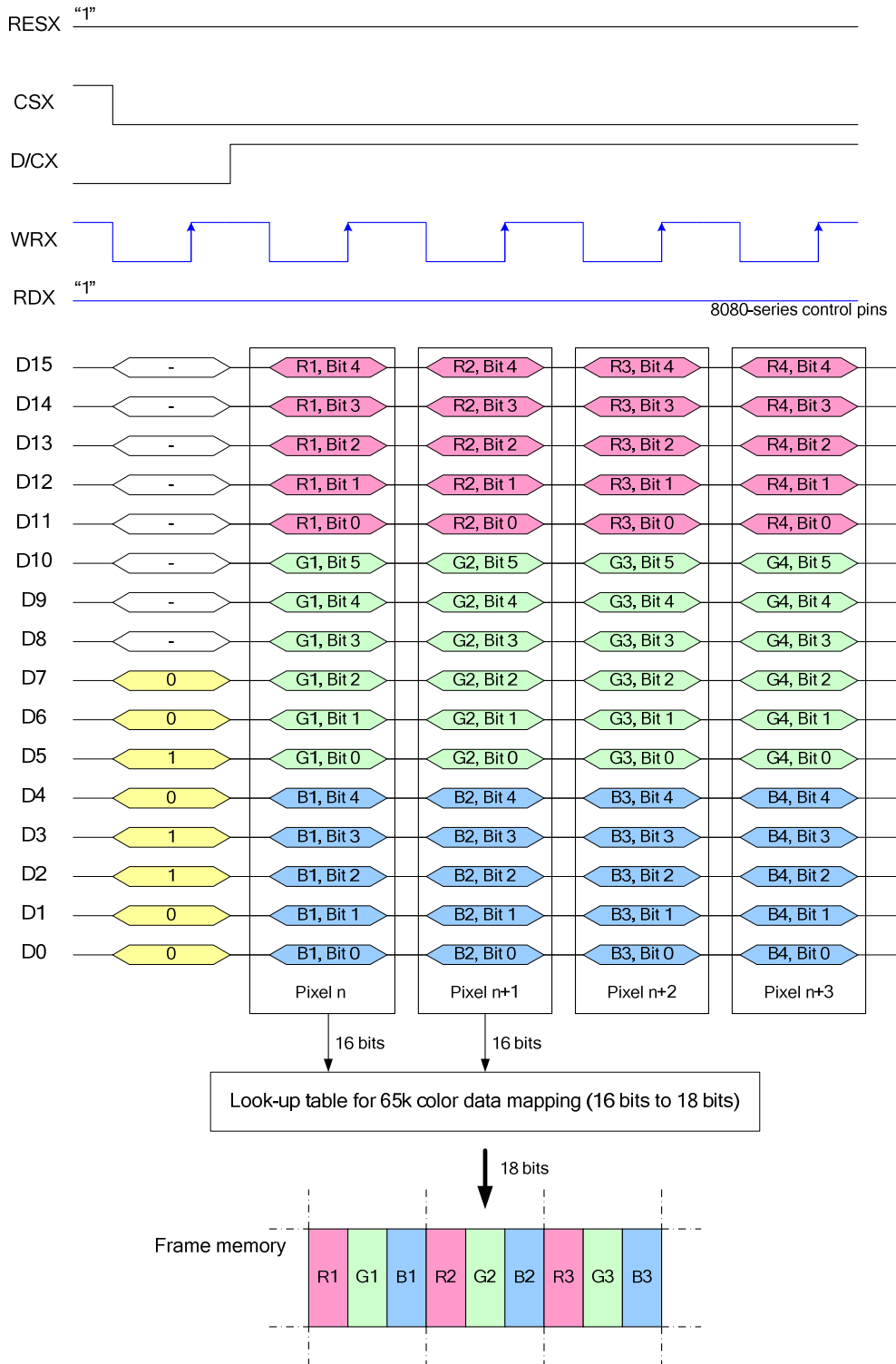


Note 1: The data order is as follows, MSB=D11, LSB=D0 and picture data is MSB=Bit 3, LSB=Bit 0 for Red, Green and Blue data.

Note 2: 1-times transfer (D11 to D0) is used to transmit 1 pixel data with the 12-bit color depth information.

8.8.10 16-bit data bus for 16-bit/pixel (RGB 5-6-5-bit input) 65K-Color, 3Ah="05h"

There is 1 pixel (3 sub-pixels) per 1 byte



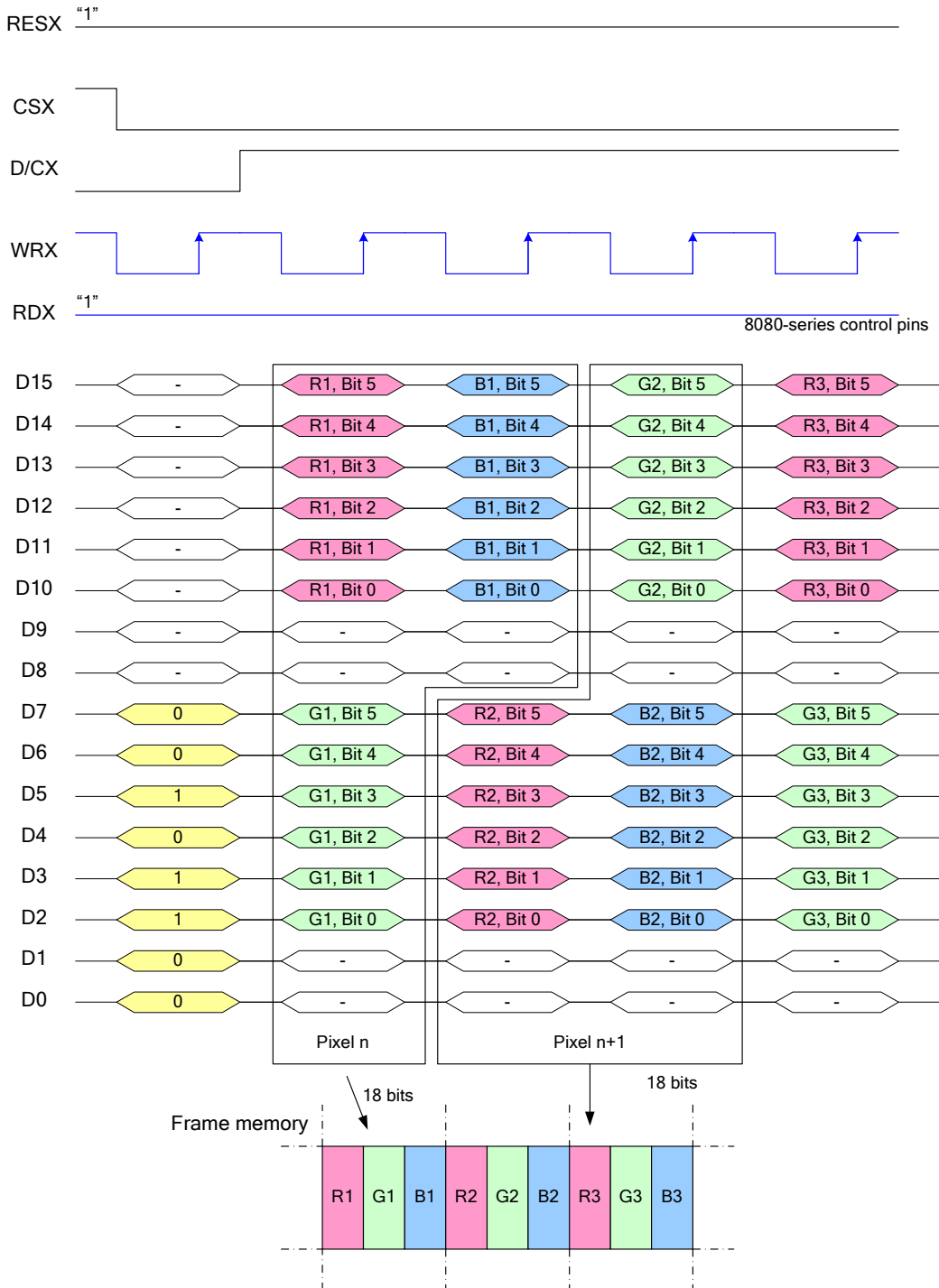
Note 1: The data order is as follows, MSB=D15, LSB=D0 and picture data is MSB=Bit 5, LSB=Bit 0 for Green, and MSB=Bit 4, LSB=Bit 0 for Red and Blue data.

Note 2: 1-times transfer (D15 to D0) is used to transmit 1 pixel data with the 16-bit color depth information.

Note 3: '-' = Don't care – Can be set to '0' or '1'

8.8.11 16-bit data bus for 18-bit/pixel (RGB-6-6-6-bit input), 262K-Colors, 3Ah="06h",
MDT[1:0]="00b"

There are 2 pixels (6 sub-pixels) per 3 bytes

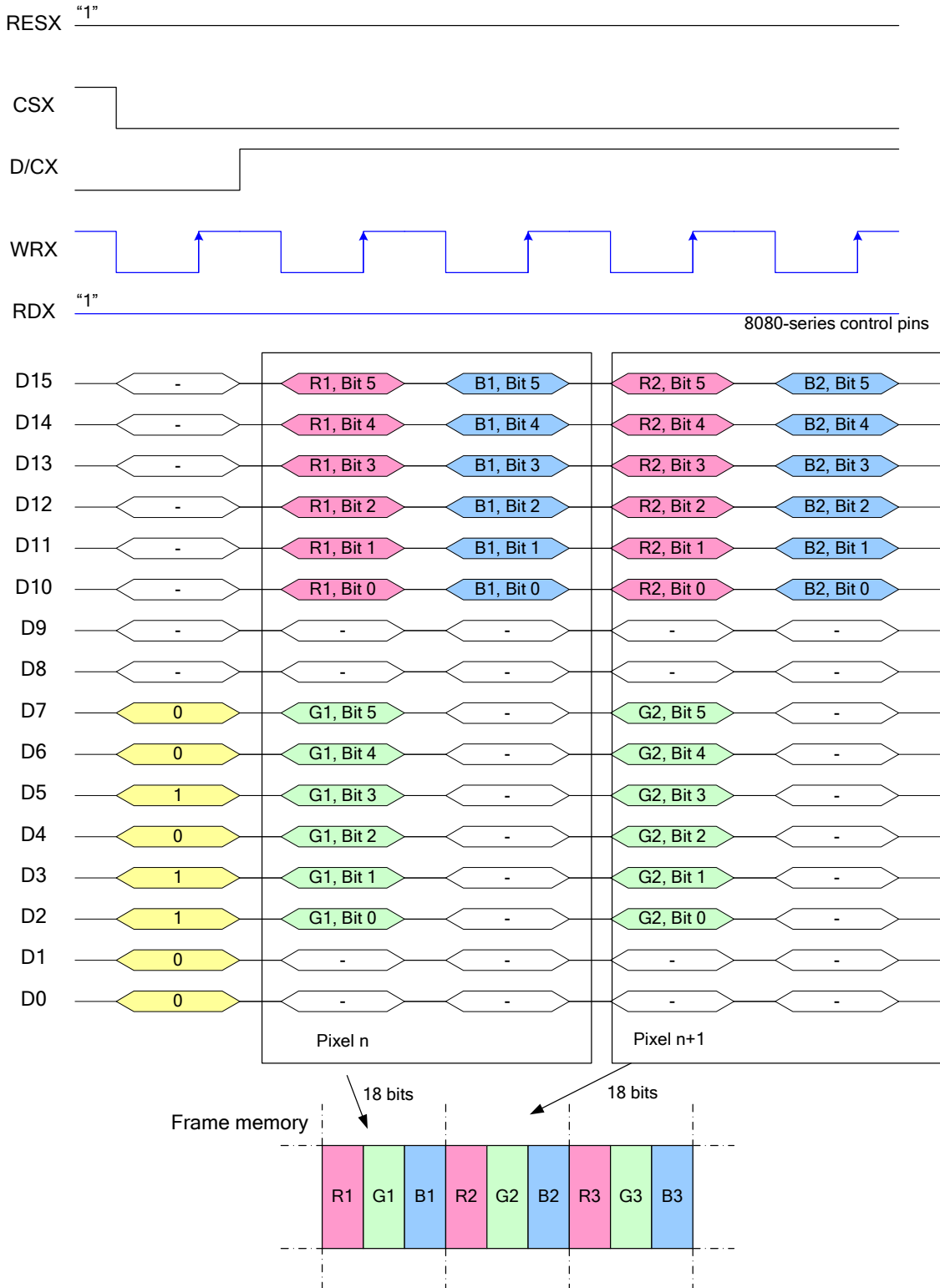


Note 1: The data order is as follows, MSB=D15, LSB=D0 and picture data is MSB=Bits 5, LSB=Bit 0 for Red, Green and Blue data.

Note 2: 3-times transfer is used to transmit 1 pixel data with the 18-bit color depth information.

Note 3: '-' = Don't care – Can be set to '0' or '1'

8.8.12 16-bit data bus for 18-bit/pixel (RGB-6-6-6-bit input), 262K-Colors, 3Ah="06h",
MDT[1:0]="01b"

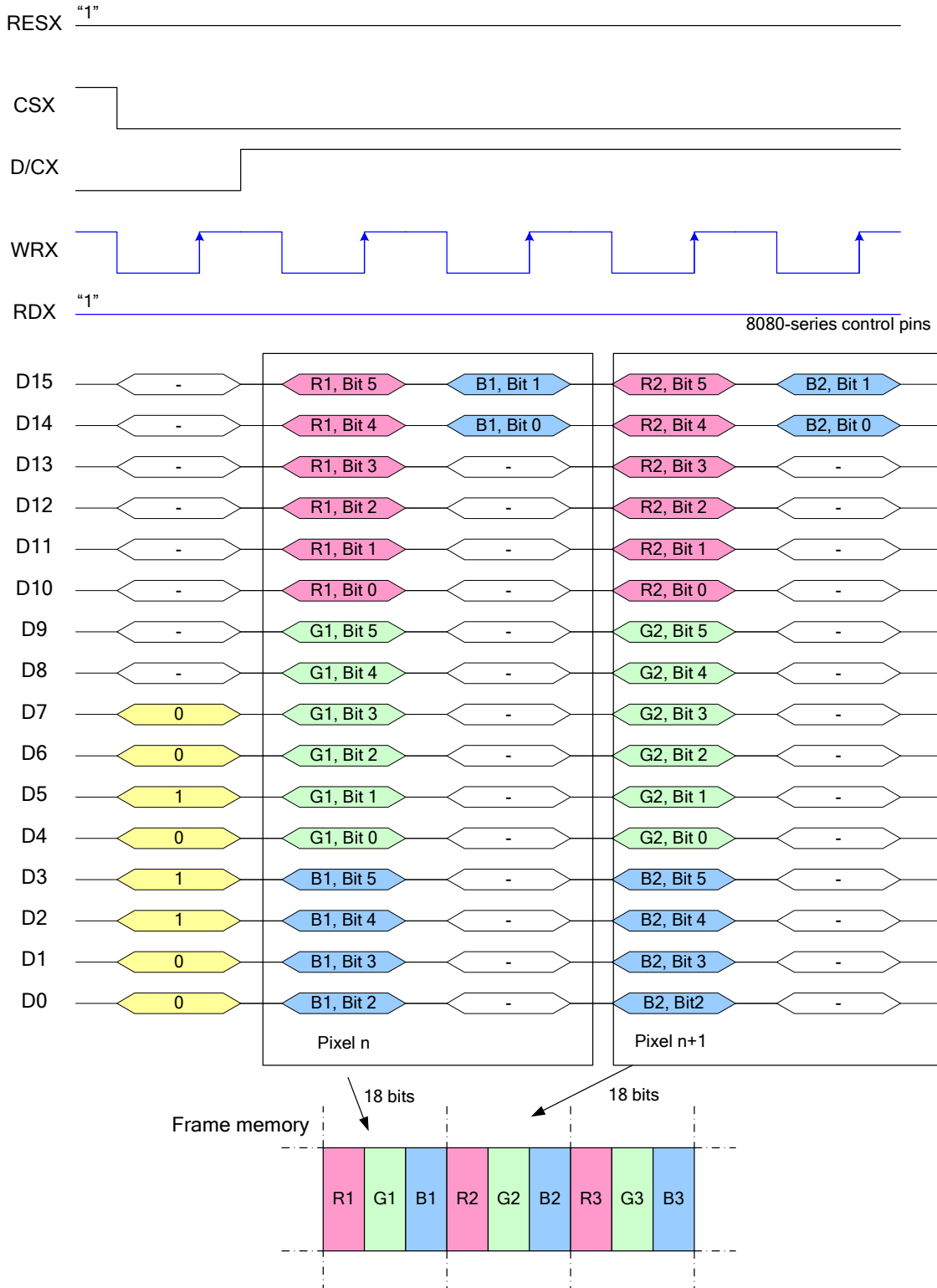


Note 1: The data order is as follows, MSB=D15, LSB=D0 and picture data is MSB=Bits 5, LSB=Bit 0 for Red, Green and Blue data.

Note 2: 2-times transfer is used to transmit 1 pixel data with the 18-bit color depth information.

Note 3: '-' = Don't care – Can be set to '0' or '1'

8.8.13 16-bit data bus for 18-bit/pixel (RGB-6-6-6-bit input), 262K-Colors, 3Ah="06h", MDT[1:0]="10b"

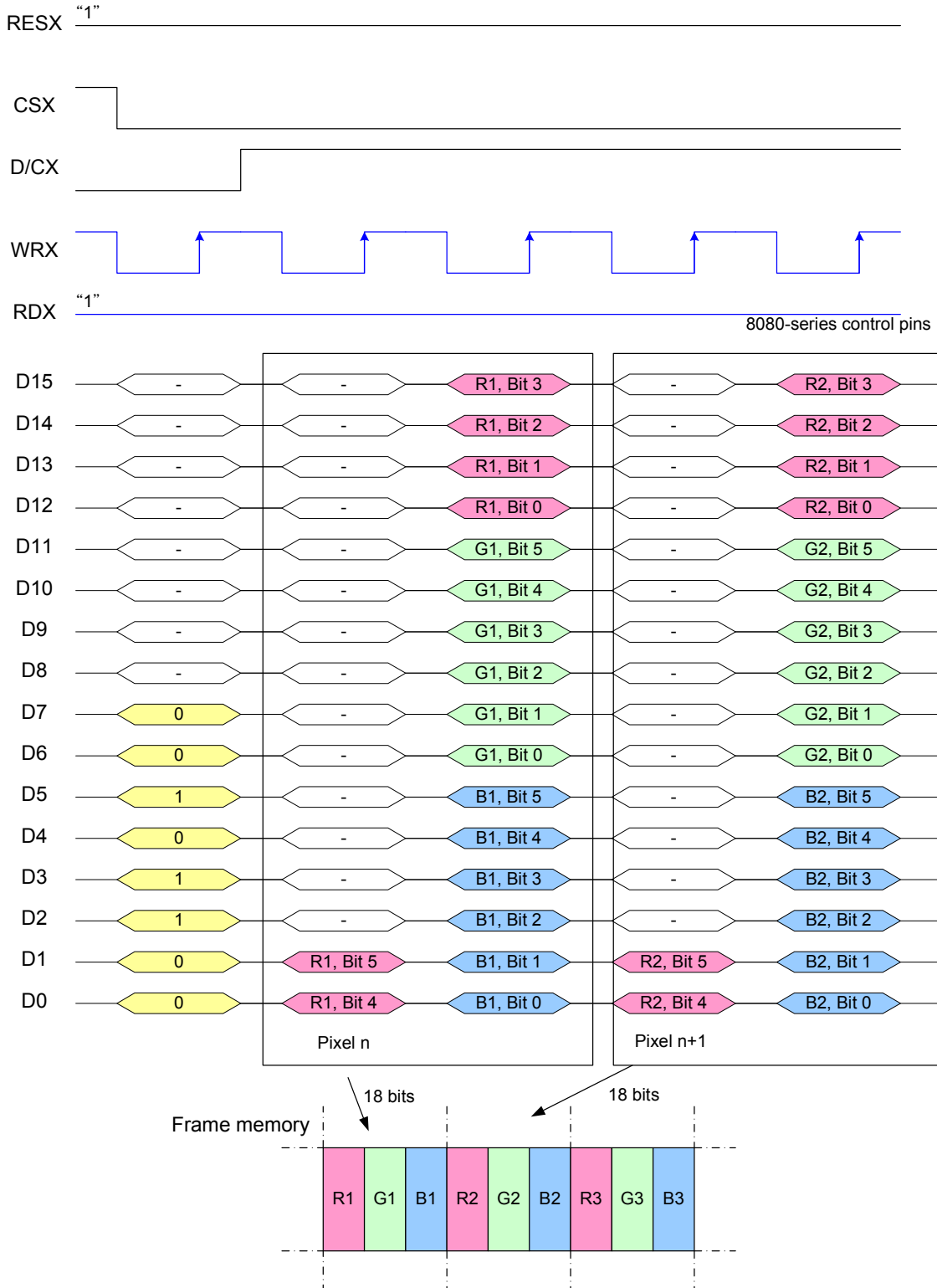


Note 1: The data order is as follows, MSB=D15, LSB=D0 and picture data is MSB=Bits 5, LSB=Bit 0 for Red, Green and Blue data.

Note 2: 2-times transfer is used to transmit 1 pixel data with the 18-bit color depth information.

Note 3: '-' = Don't care – Can be set to '0' or '1'

8.8.14 16-bit data bus for 18-bit/pixel (RGB-6-6-6-bit input), 262K-Colors, 3Ah="06h",
MDT[1:0]="11b"



Note 1: The data order is as follows, MSB=D15, LSB=D0 and picture data is MSB=Bits 5, LSB=Bit 0 for Red, Green and Blue data.

Note 2: 2-times transfer is used to transmit 1 pixel data with the 18-bit color depth information.

Note 3: '-' = Don't care – Can be set to '0' or '1'

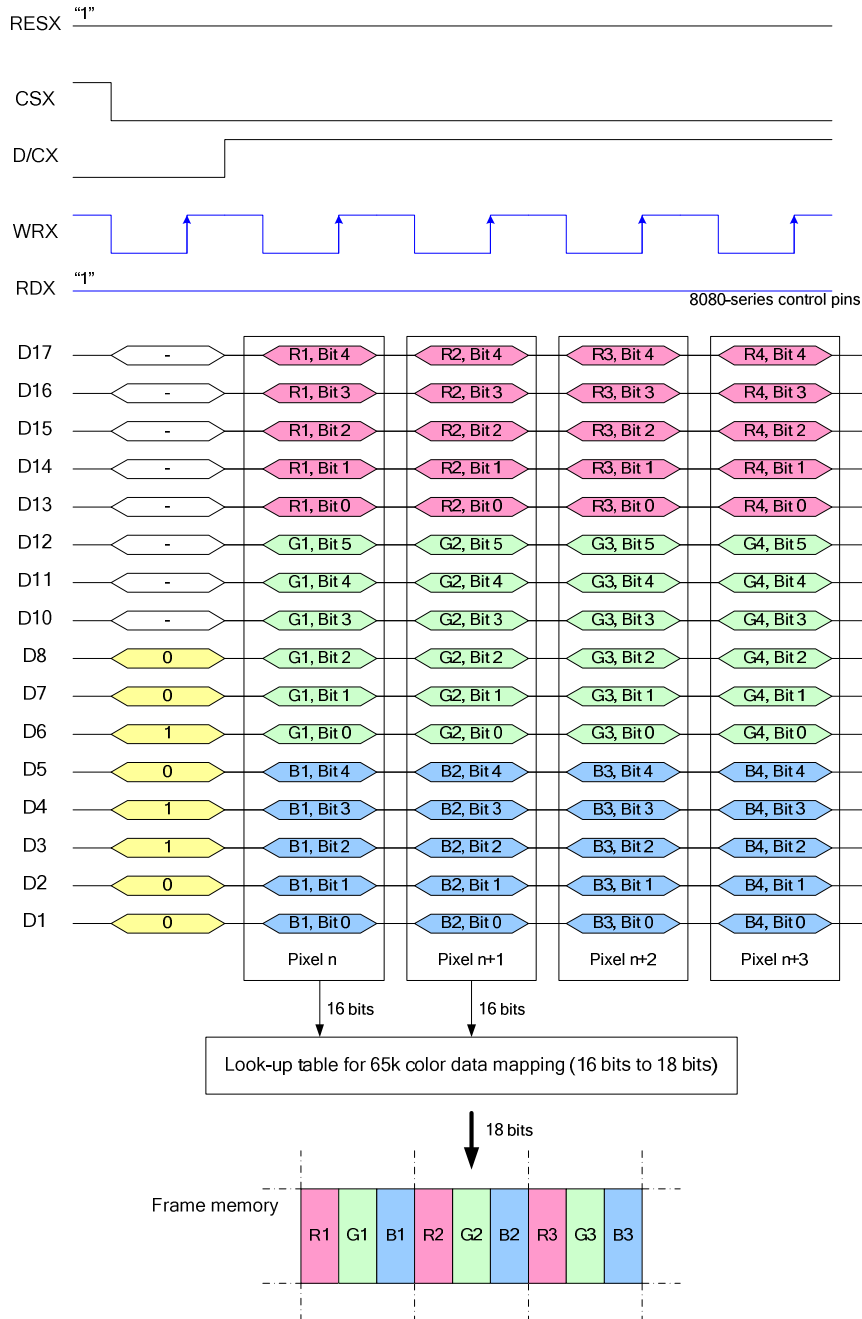
8.8.15 8080- II series 16-Bit Parallel Interface

The 8080- II series 16-bit parallel interface of ST7789V2 can be used by setting IM[3:0]=”1000b”. Different display data formats are available for two colors depth supported by listed below.

- 65k colors, RGB 5,6,5-bit input
- 262k colors, RGB 6,6,6-bit input

8.8.16 16-bit data bus for 16-bit/pixel (RGB 5-6-5-bit input) 65K-Color, 3Ah=”05h”

There is 1 pixel (3 sub-pixels) per 1 byte



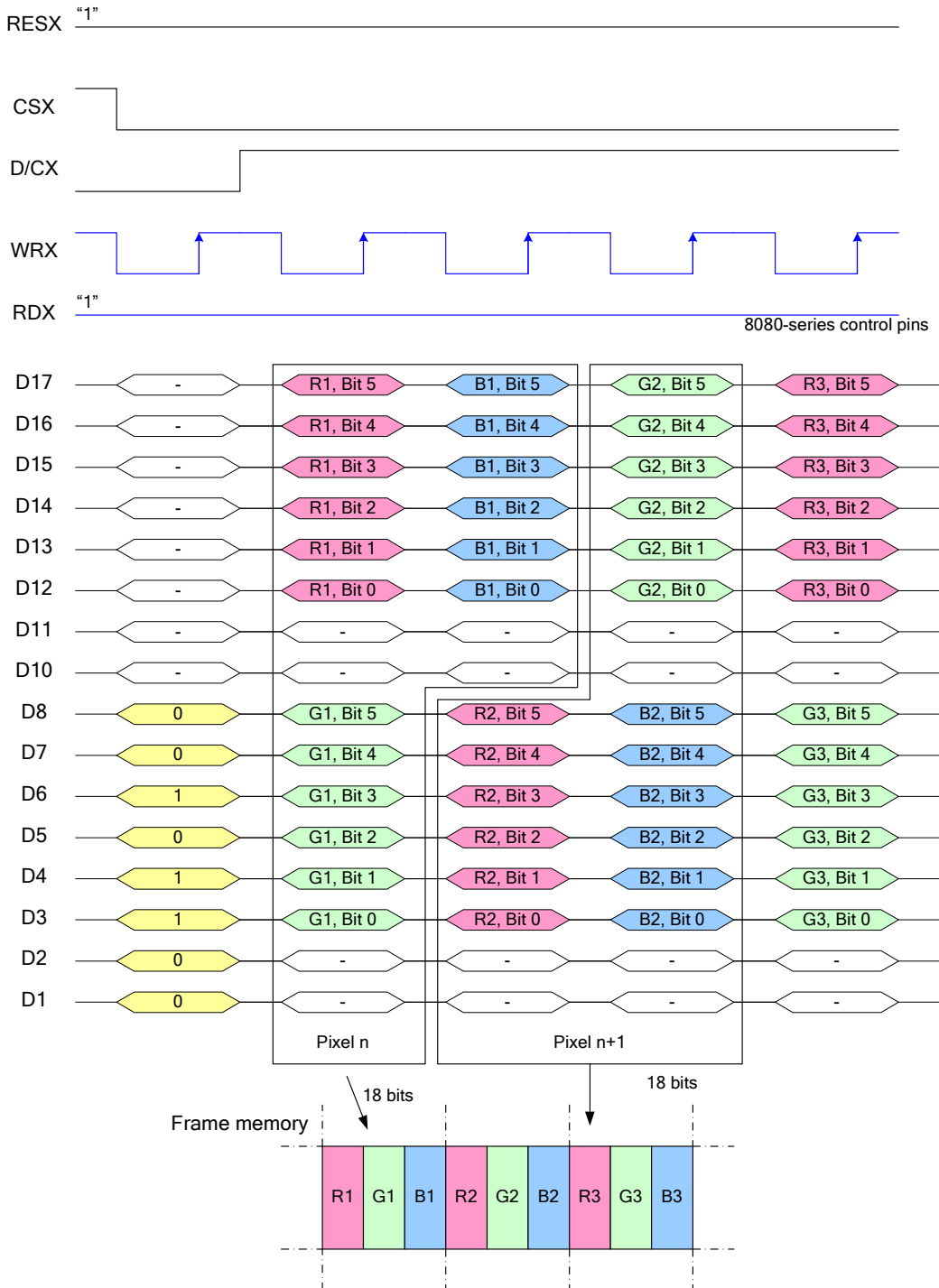
Note 1: The data order is as follows, MSB=D17, LSB=D1 and picture data is MSB=Bit 5, LSB=Bit 0 for Green, and MSB=Bit 4, LSB=Bit 0 for Red and Blue data.

Note 2: 1-times transfer (D17~D10, D8~D1) is used to transmit 1 pixel data with the 16-bit color depth information.

Note 3: ‘-’ = Don’t care – Can be set to ‘0’ or ‘1’

8.8.17 16-bit data bus for 18-bit/pixel (RGB-6-6-6-bit input), 262K-Colors, 3Ah="06h",
MDT[1:0]="00b"

There are 2 pixels (6 sub-pixels) per 3 bytes

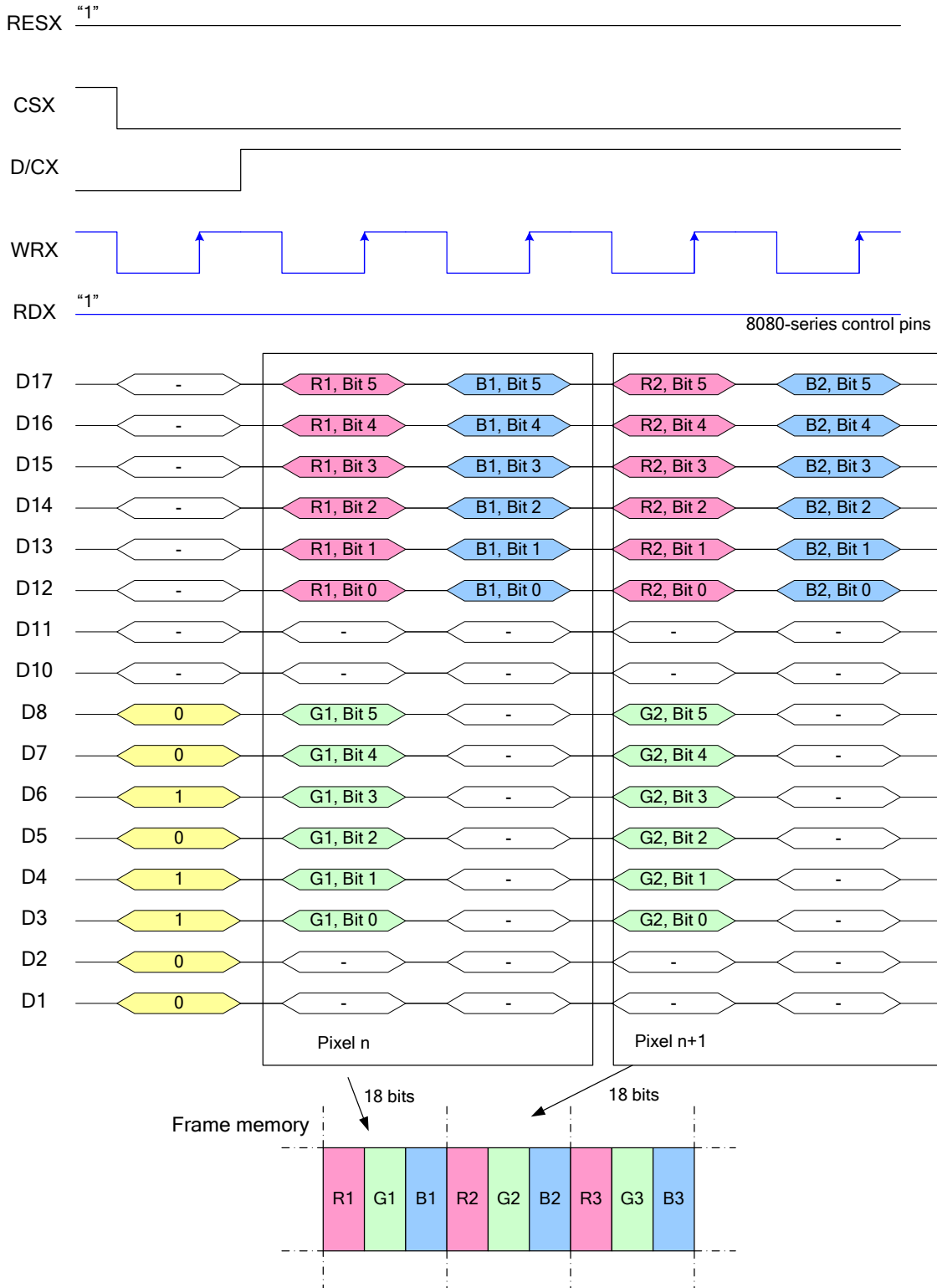


Note 1: The data order is as follows, MSB=D17, LSB=D1 and picture data is MSB=Bits 5, LSB=Bit 0 for Red, Green and Blue data.

Note 2: 3-times transfer is used to transmit 1 pixel data with the 18-bit color depth information.

Note 3: '-' = Don't care – Can be set to '0' or '1'

8.8.18 16-bit data bus for 18-bit/pixel (RGB-6-6-6-bit input), 262K-Colors, 3Ah="06h", MDT[1:0]="01b"



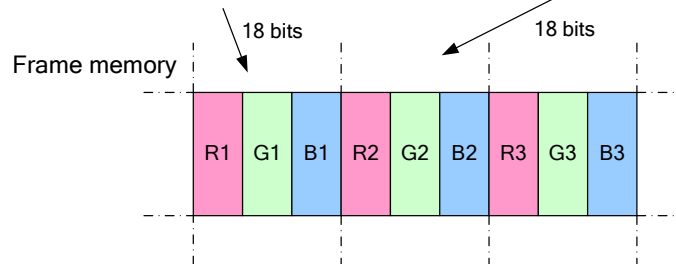
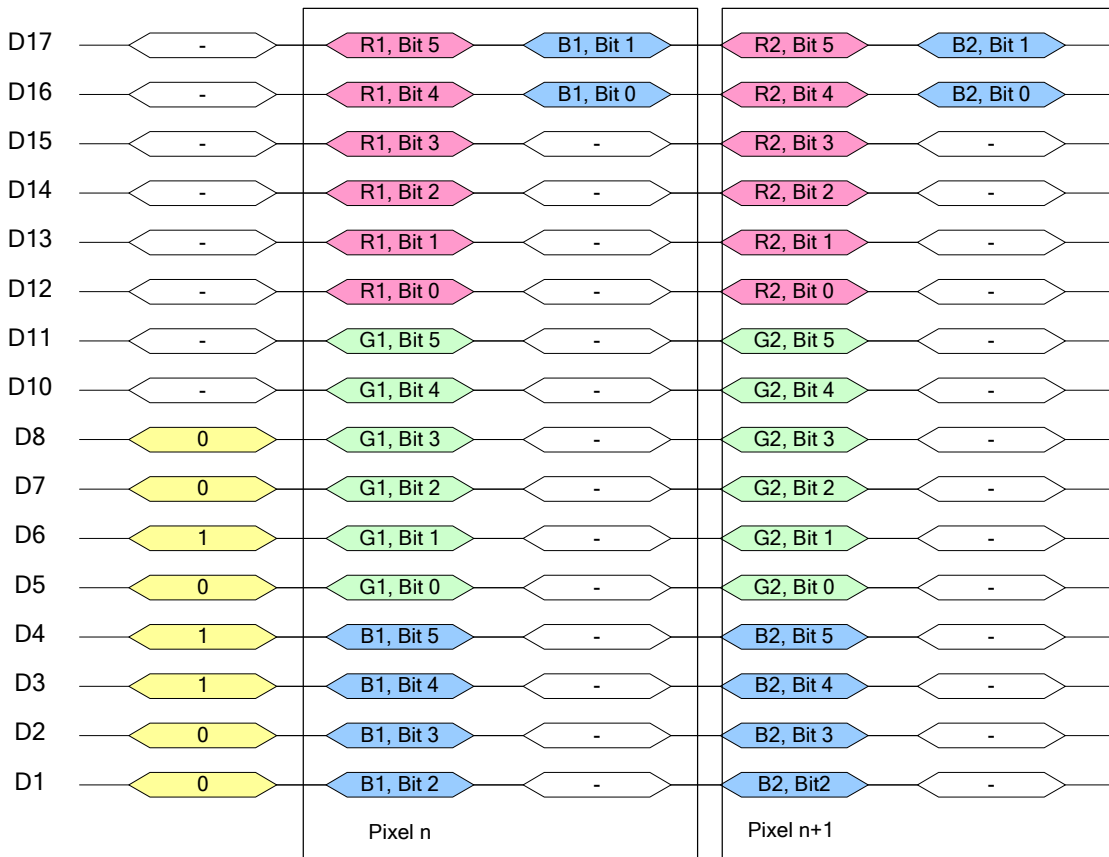
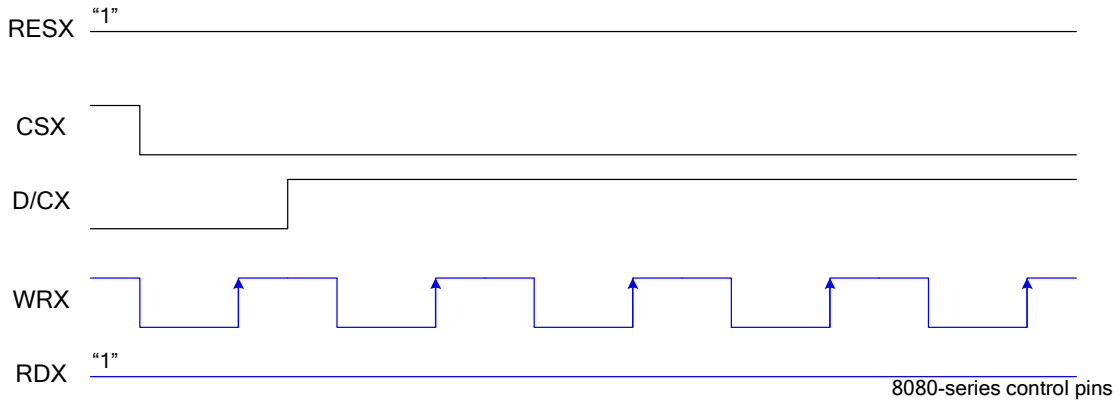
Note 1: The data order is as follows, MSB=D17, LSB=D1 and picture data is MSB=Bits 5, LSB=Bit 0 for Red, Green and Blue data.

Note 2: 2-times transfer is used to transmit 1 pixel data with the 18-bit color depth information.

Note 3: '-' = Don't care - Can be set to '0' or '1'

8.8.19 16-bit data bus for 18-bit/pixel (RGB-6-6-6-bit input), 262K-Colors, 3Ah="06h",

MDT[1:0]="10b"

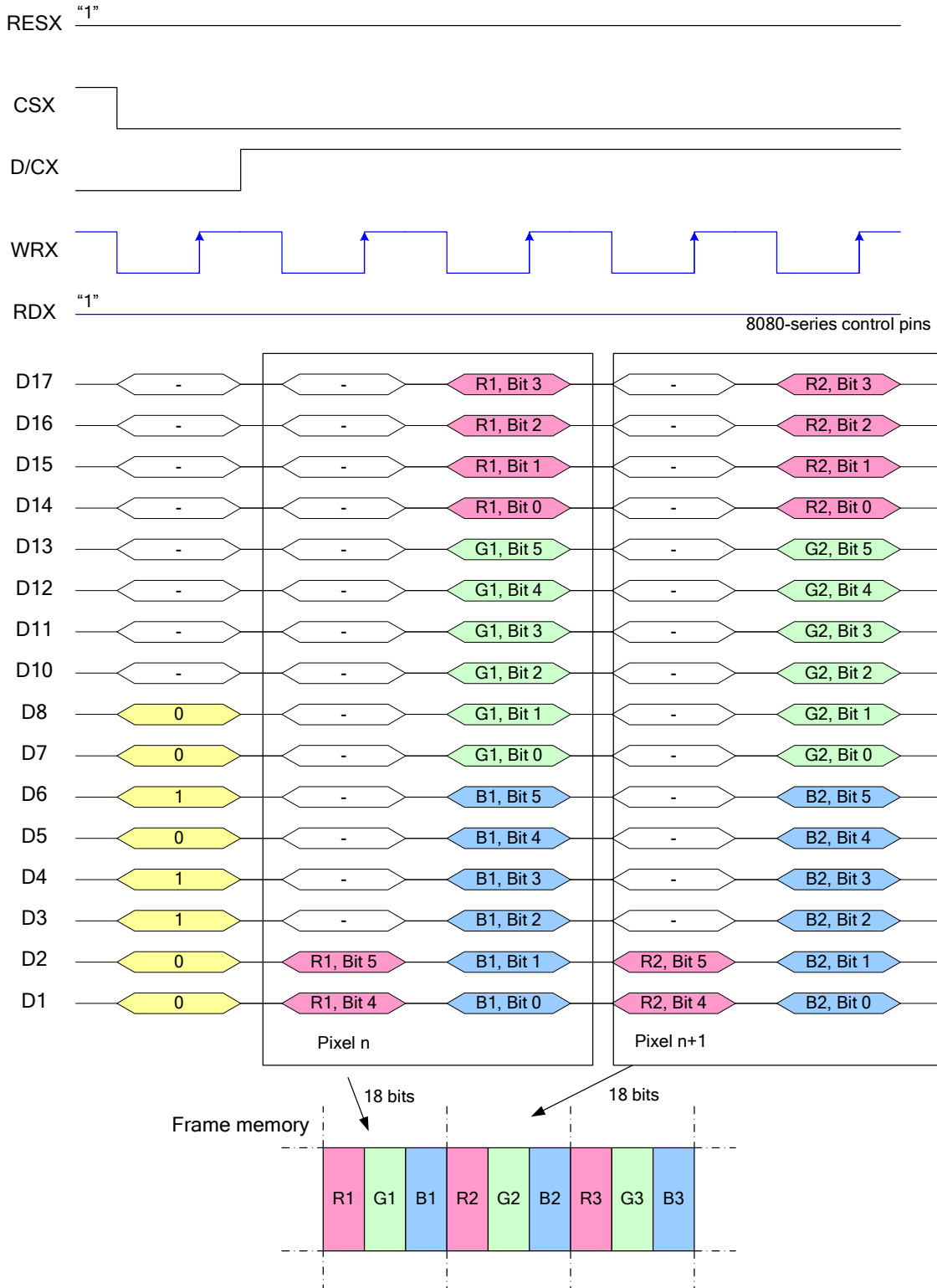


Note 1: The data order is as follows, MSB=D17, LSB=D0 and picture data is MSB=Bits 5, LSB=Bit 0 for Red, Green and Blue data.

Note 2: 2-times transfer is used to transmit 1 pixel data with the 18-bit color depth information.

Note 3: '-' = Don't care - Can be set to '0' or '1'

8.8.20 16-bit data bus for 18-bit/pixel (RGB-6-6-6-bit input), 262K-Colors, 3Ah="06h",
MDT[1:0]="11b"



Note 1: The data order is as follows, MSB=D17, LSB=D1 and picture data is MSB=Bits 5, LSB=Bit 0 for Red, Green and Blue data.

Note 2: 2-times transfer is used to transmit 1 pixel data with the 18-bit color depth information.

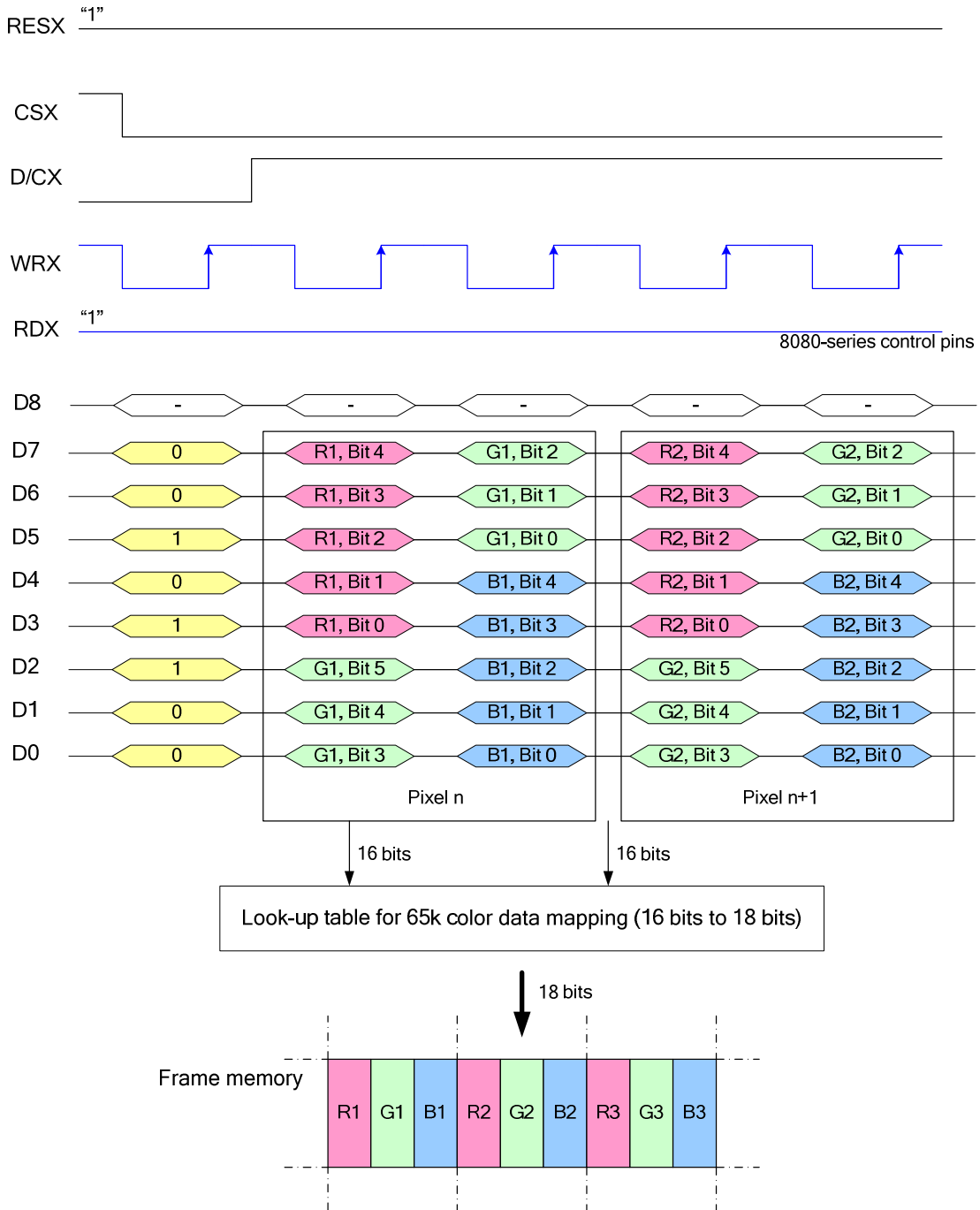
Note 3: '-' = Don't care – Can be set to '0' or '1'

8.8.21 8080- I series 9-Bit Parallel Interface

The 8080- I series 9-bit parallel interface of ST7789V2 can be used by setting IM[3:0]=”0010b” Different display data formats are available for two colors depth supported by listed below.

- 65k colors, RGB 5,6,5-bit input
- 262k colors, RGB 6,6,6-bit input

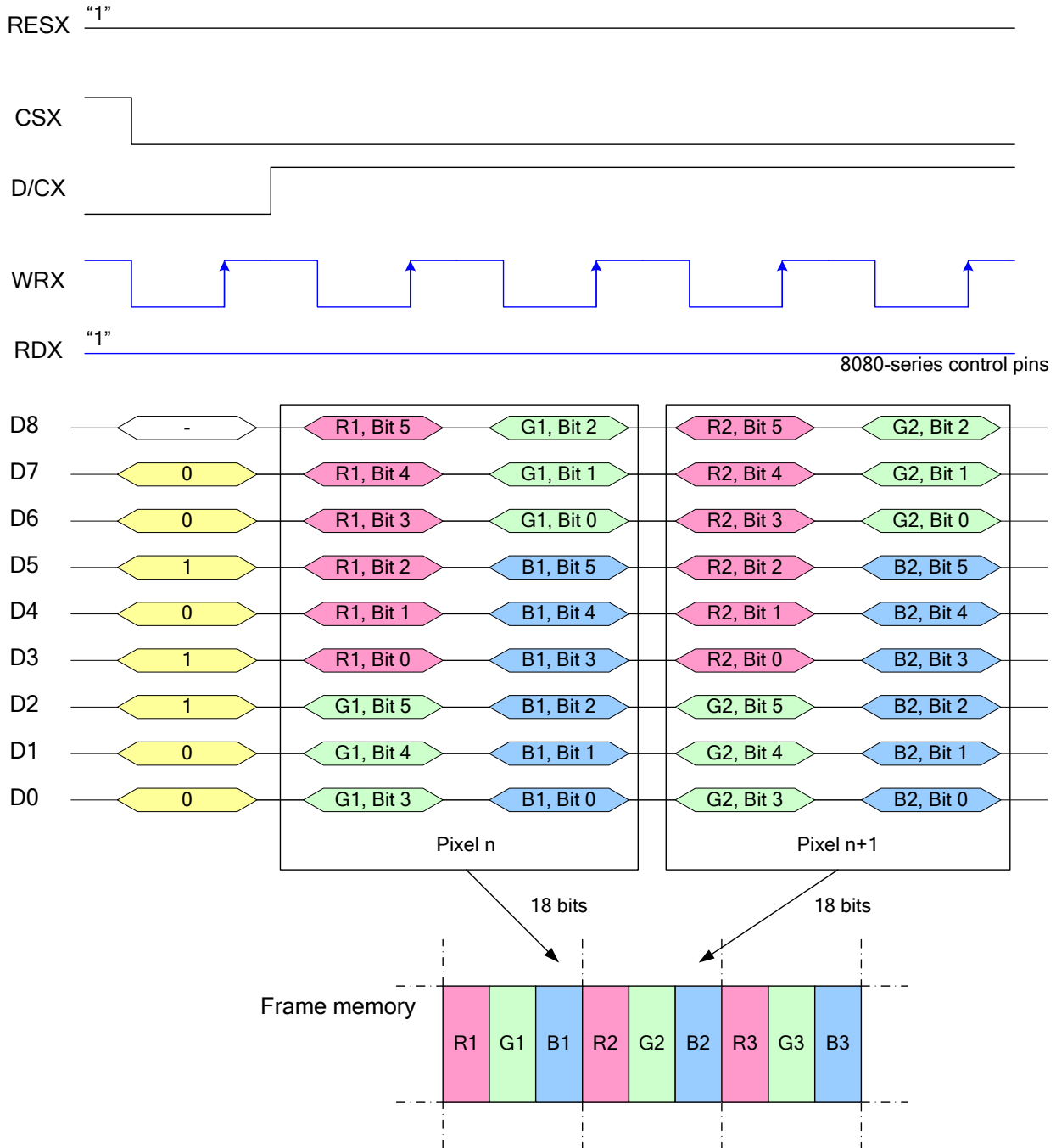
8.8.22 Write 9-bit data for RGB 5-6-5-bit input (65K-Color), 3Ah=”05h”



Note 1: The data order is as follows, MSB=D7, LSB=D0 and picture data is MSB=Bit 4, LSB=Bit 0 for Red, Green and Blue data.
 Note 2: 2-time transfer is used to transmit 1 pixel data with the 16-bit color depth information.
 Note 3: ‘-’ = Don’t care – Can be set to ‘0’ or ‘1’

8.8.23 Write 9-bit data for RGB 6-6-6-bit input (262K-Color), 3Ah="06h", MDT[1:0]="00b"

There is 1 pixel (3 sub-pixels) per 2bytes

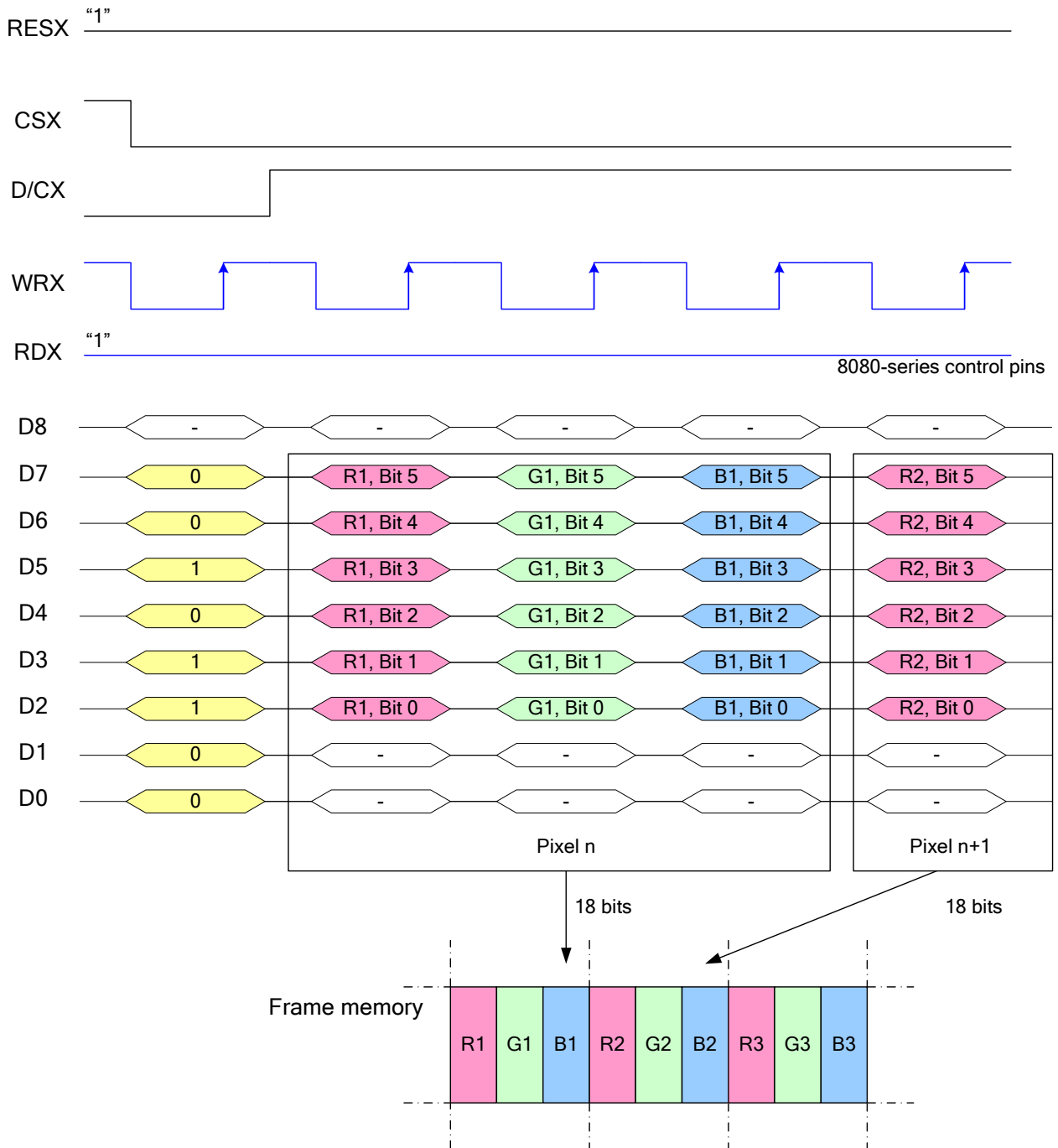


Note 1: The data order is as follows, MSB=D8, LSB=D0 and picture data is MSB=Bit 5, LSB=Bit 0 for Red, Green and Blue data.

Note 2: 2-time transfer is used to transmit 1 pixel data with the 18-bit color depth information.

Note 3: '-' = Don't care - Can be set to '0' or '1'

8.8.24 Write 9-bit data for RGB 6-6-6-bit input (262K-Color), 3Ah="06h", MDT[1:0]="01b"



Note 1: The data order is as follows, MSB=D8, LSB=D0 and picture data is MSB=Bit 5, LSB=Bit 0 for Red, Green and Blue data.

Note 2: 3-time transfer is used to transmit 1 pixel data with the 18-bit color depth information.

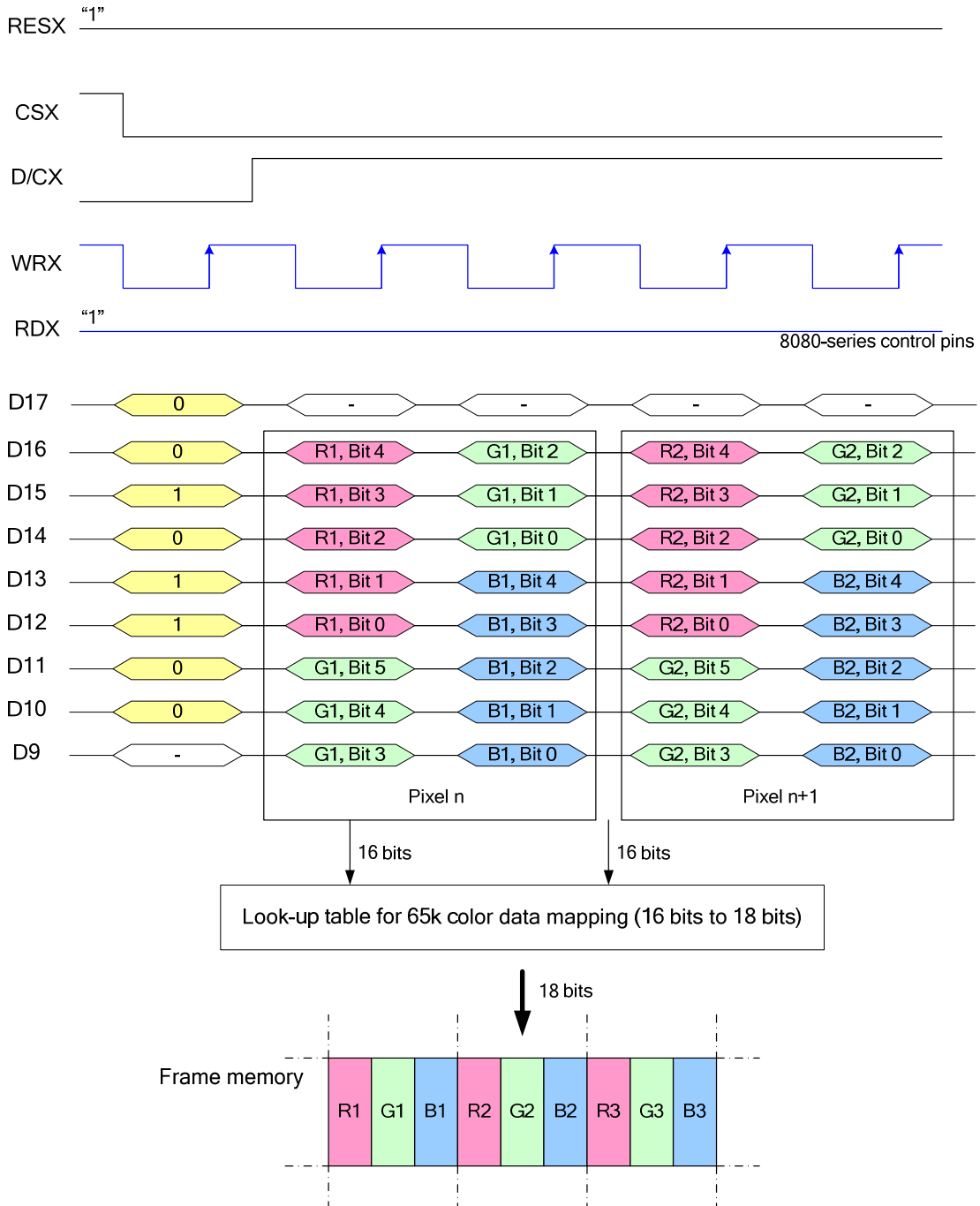
Note 3: '-' = Don't care - Can be set to '0' or '1'

8.8.25 8080- II series 9-bit Parallel Interface

The 8080- II series 9-bit parallel interface of ST7789V2 can be used by setting IM[3:0]="1011b". Different display data formats are available for two colors depth supported by listed below.

- 65k colors, RGB 5,6,5-bit input
- 262k colors, RGB 6,6,6-bit input

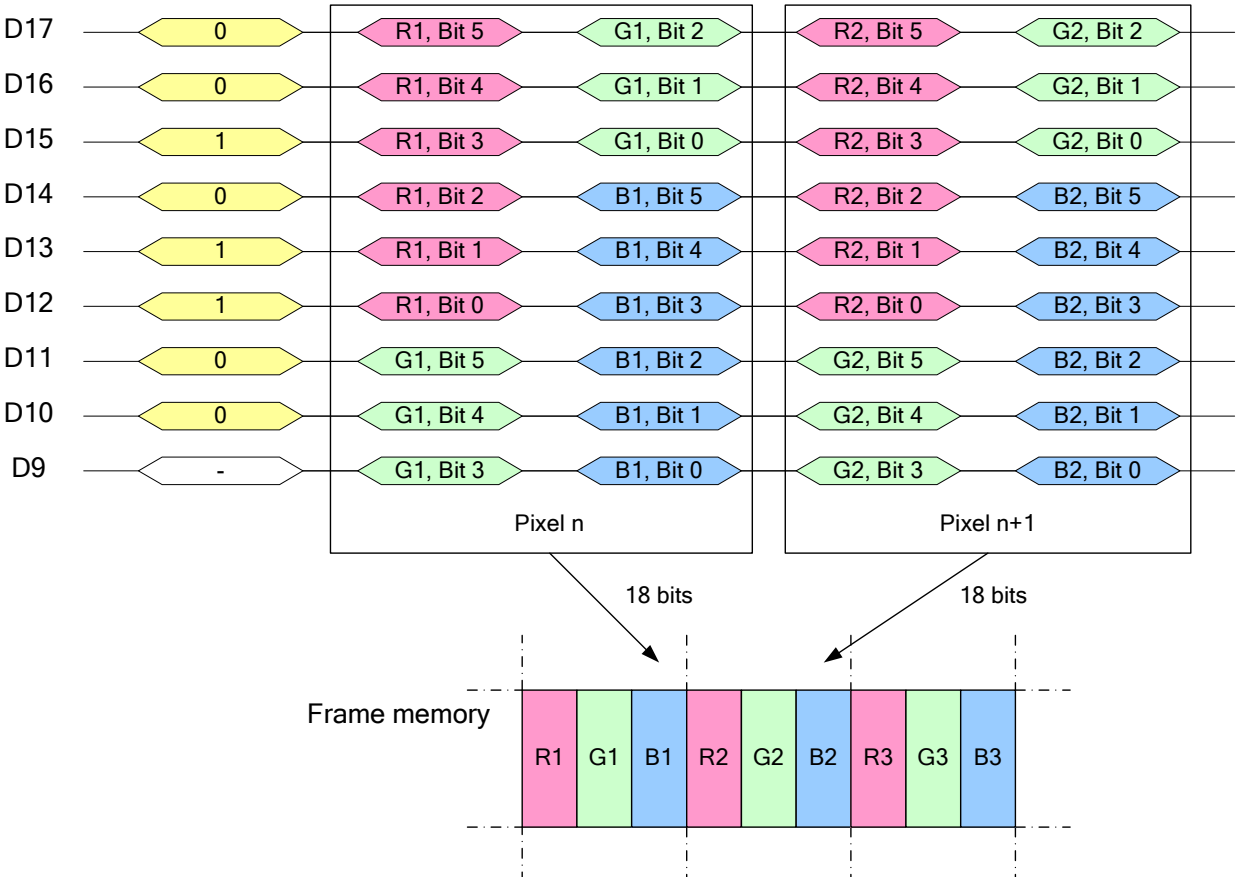
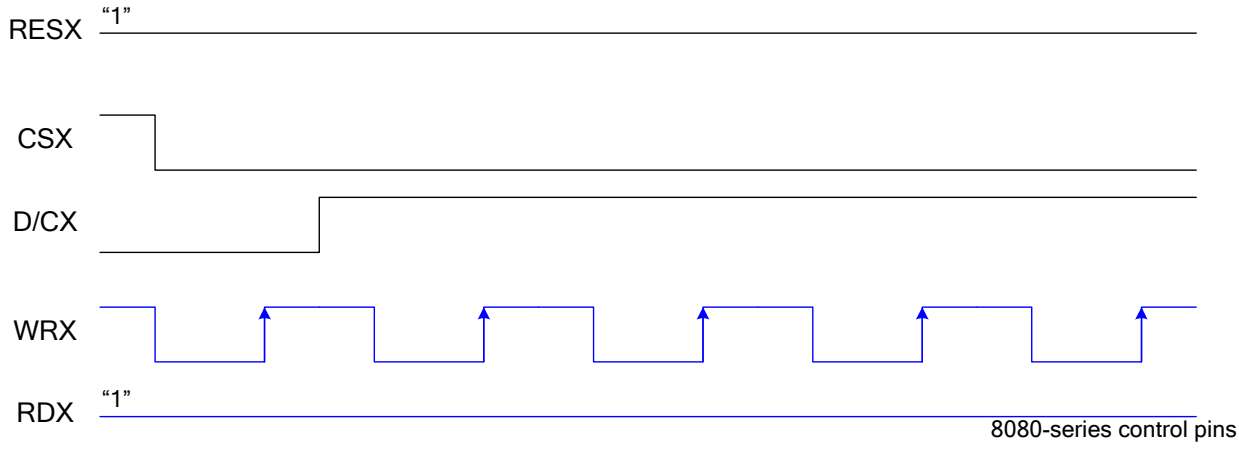
8.8.26 Write 9-bit data for RGB 5-6-5-bit input (65K-Color), 3Ah="05h"



Note 1: The data order is as follows, MSB=D16, LSB=D9 and picture data is MSB=Bit 4, LSB=Bit 0 for Red, Green and Blue data.
 Note 2: 2-time transfer is used to transmit 1 pixel data with the 16-bit color depth information.
 Note 3: '-' = Don't care – Can be set to '0' or '1'

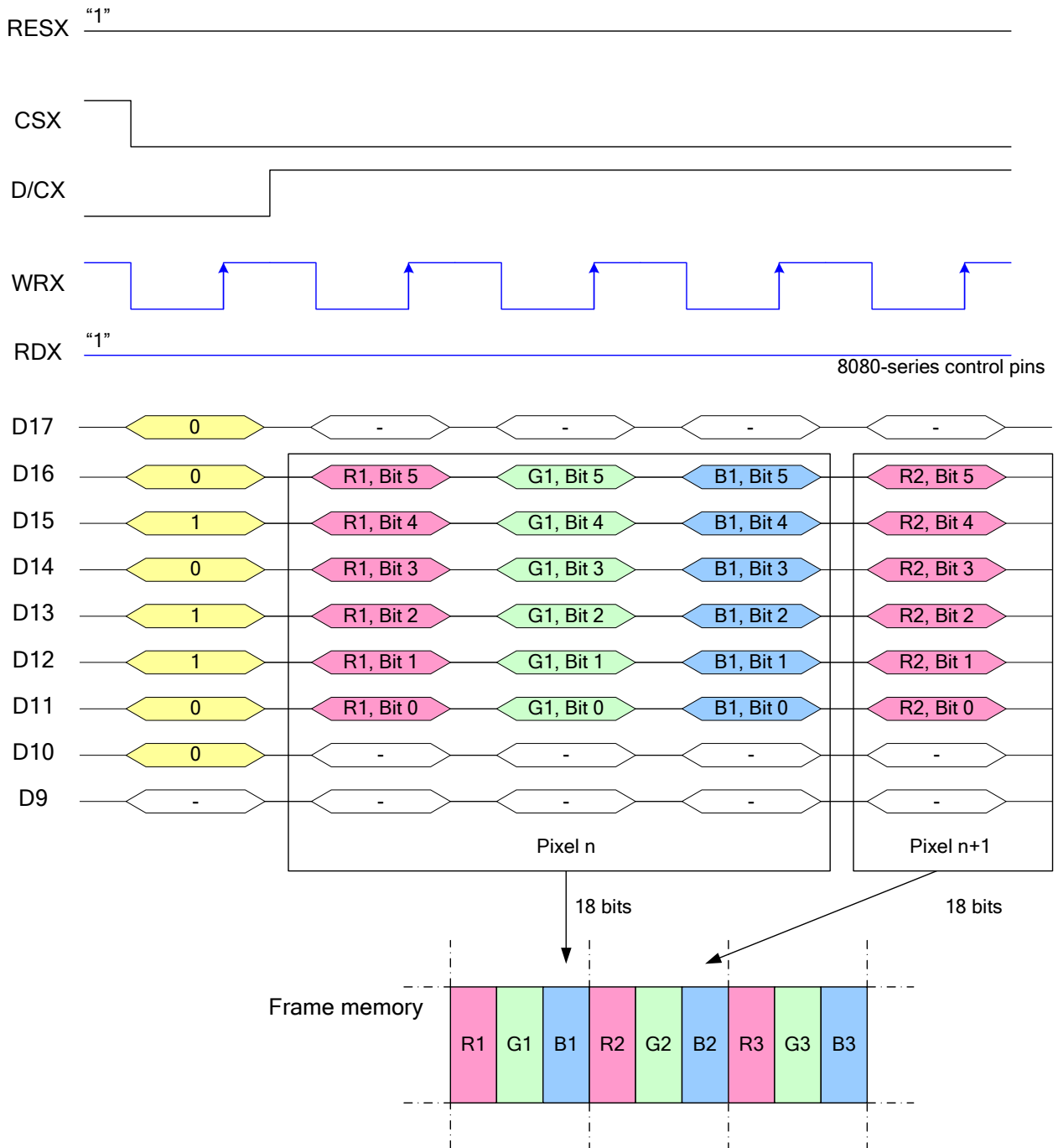
8.8.27 Write 9-bit data for RGB 6-6-6-bit input (262K-Color), 3Ah="06h", MDT[1:0]="00b"

There is 1 pixel (3 sub-pixels) per 2bytes



Note 1: The data order is as follows, MSB=D17, LSB=D9 and picture data is MSB=Bit 5, LSB=Bit 0 for Red, Green and Blue data.
 Note 2: 2-time transfer is used to transmit 1 pixel data with the 18-bit color depth information.
 Note 3: '-' = Don't care – Can be set to '0' or '1'

8.8.28 Write 9-bit data for RGB 6-6-6-bit input (262K-Color), 3Ah="06h", MDT[1:0]="01b"



Note 1: The data order is as follows, MSB=D16, LSB=D11 and picture data is MSB=Bit 5, LSB=Bit 0 for Red, Green and Blue data.
 Note 2: 3-time transfer is used to transmit 1 pixel data with the 18-bit color depth information.
 Note 3: '-' = Don't care - Can be set to '0' or '1'

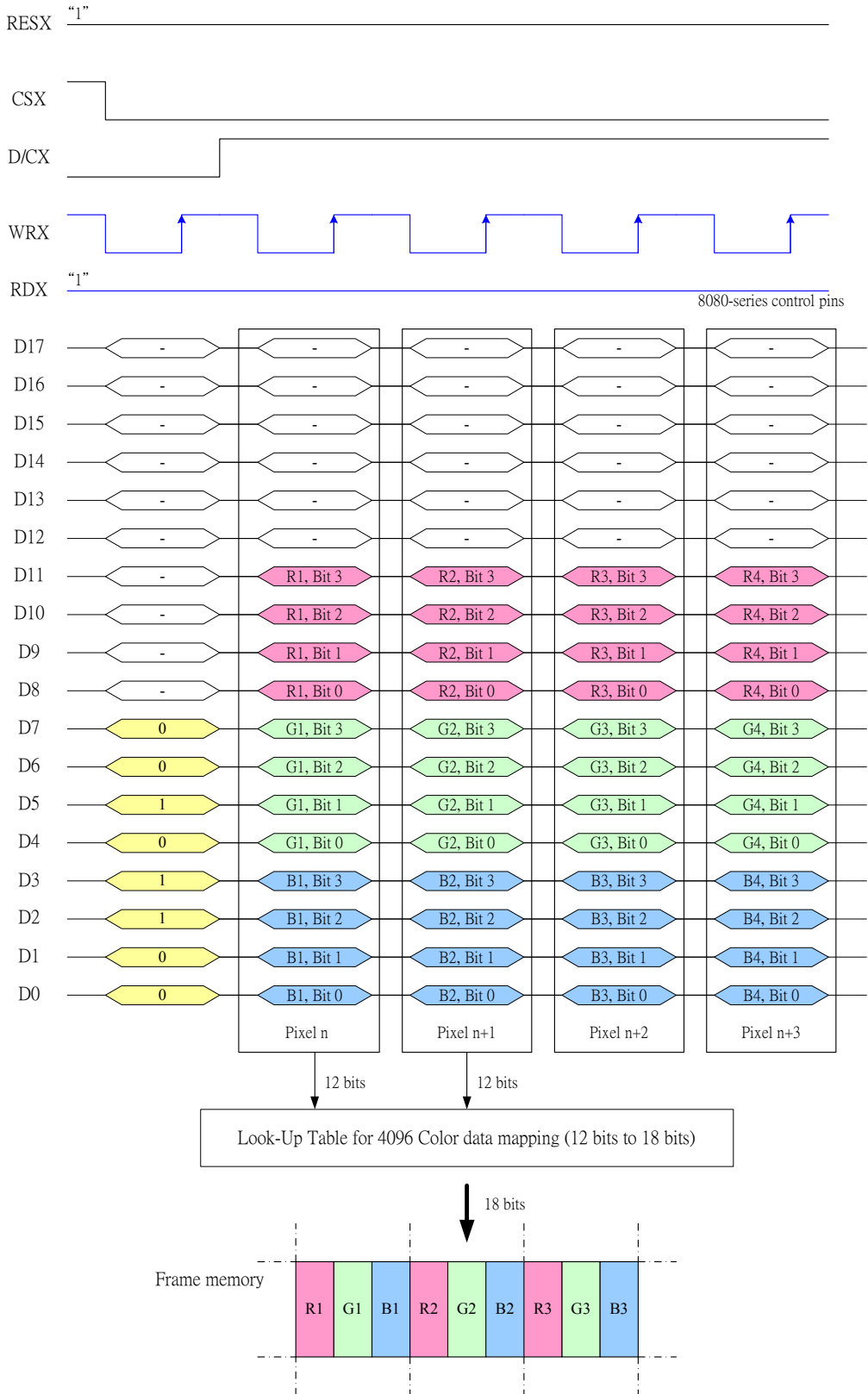
8.8.29 8080- I series 18-Bit Parallel Interface

The 8080- I series 18-bit parallel interface of ST7789V2 can be used by setting IM[3:0]="0011b". Different display data formats are available for three colors depth supported by listed below.

- 4k colors, RGB 4,4,4-bit input
- 65k colors, RGB 5,6,5-bit input
- 262k colors, RGB 6,6,6-bit input.

8.8.30 18-bit data bus for 12-bit/pixel (RGB-4-4-4-bit input), 4K-colors, 3Ah="03h"

There is 1 pixel (3 sub-pixels) per byte

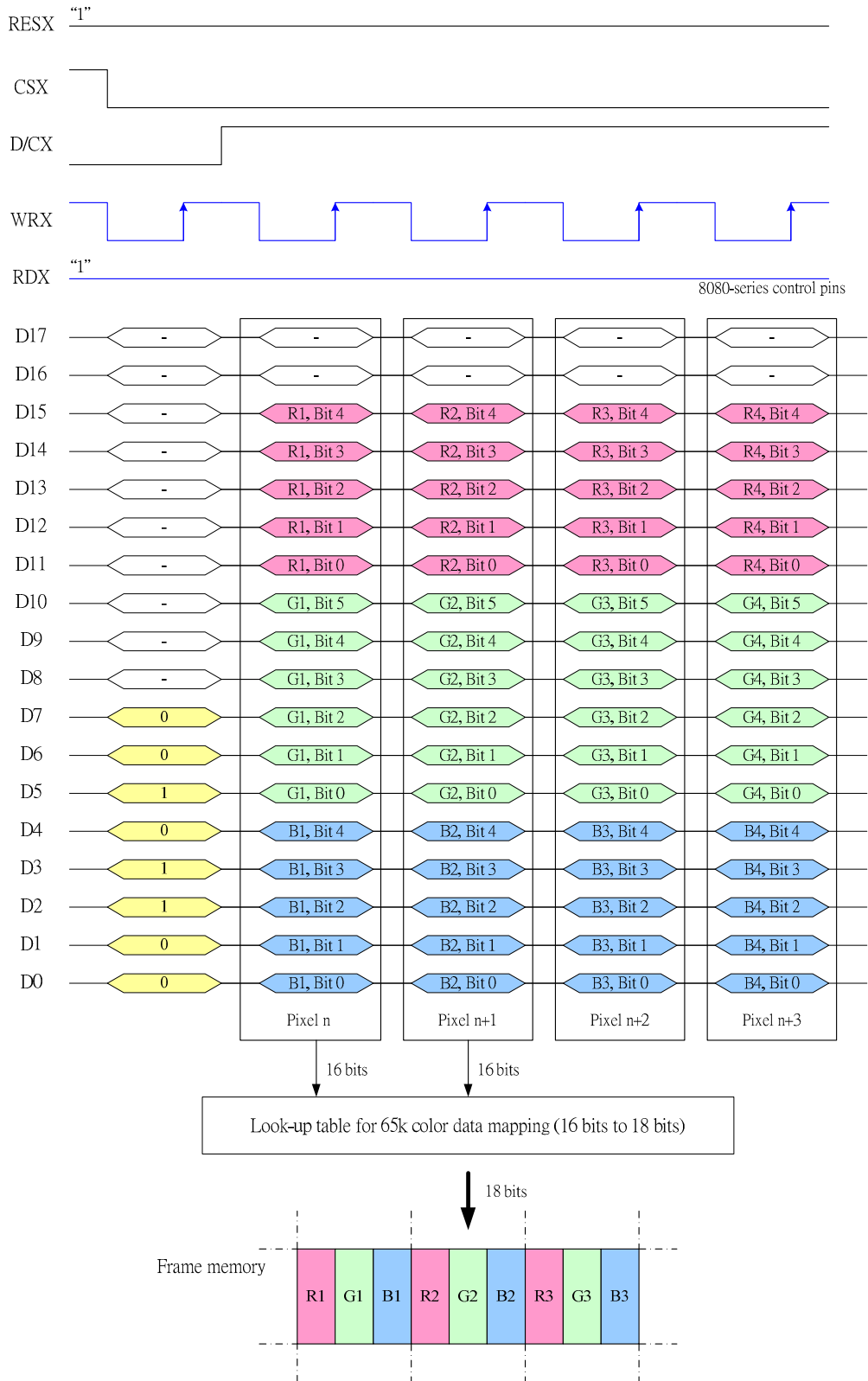


Note 1: The data order is as follows, MSB=D11, LSB=D0 and picture data is MSB=Bit 3, LSB=Bit 0 for Red, Green and Blue data.

Note 2: 1-times transfer is used to transmit 1 pixel data with the 12-bit color depth information.

8.8.31 18-bit data bus for 16-bit/pixel (RGB-5-6-5-bit input), 65K-colors, 3Ah="05h"

There is one pixel (3 sub-pixels) per byte

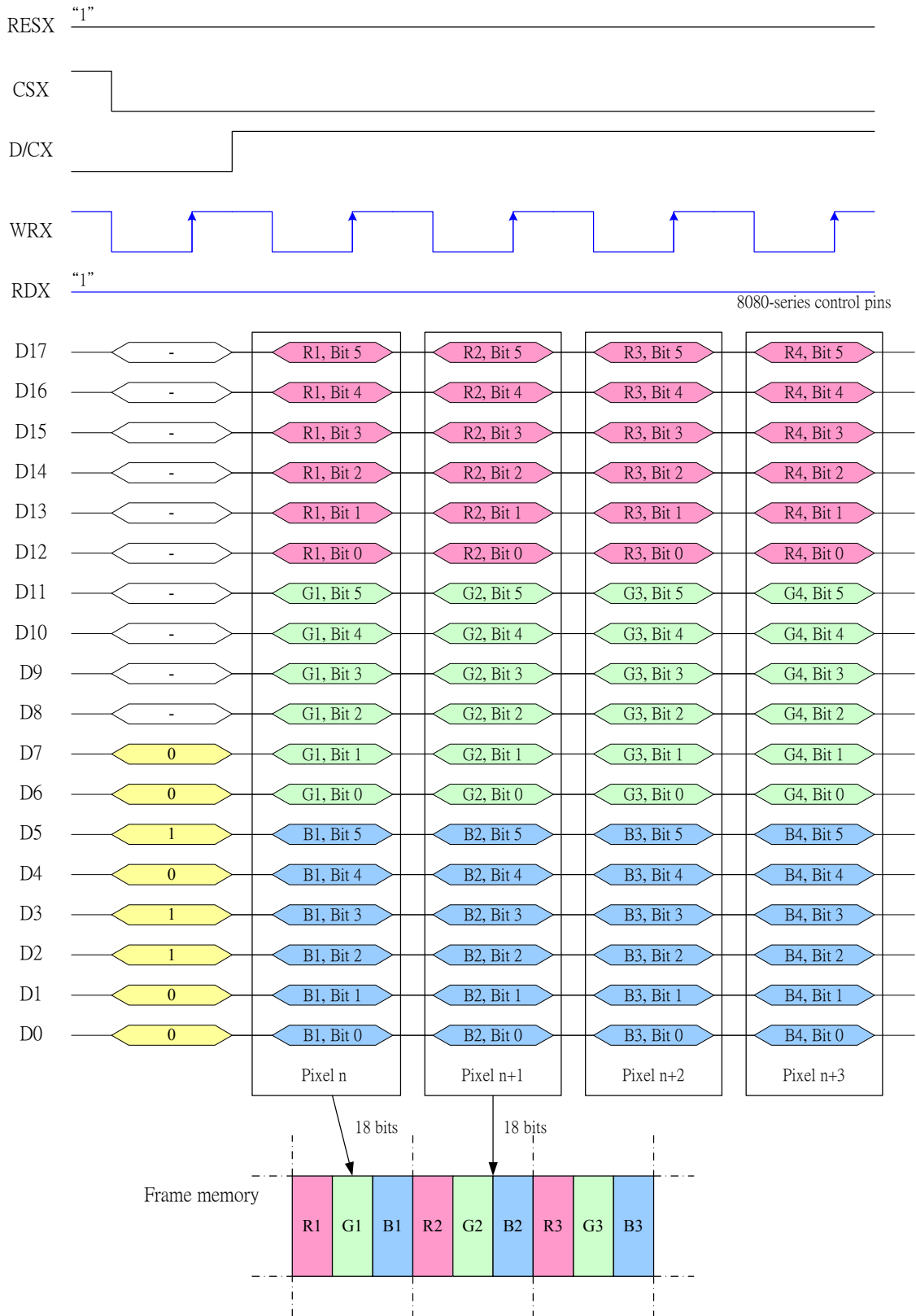


Note 1: The data order is as follows, MSB=D15, LSB=D0 and picture data is MSB=Bit 5, LSB=Bit 0 for Green, and MSB=Bit 4, LSB=Bit 0 for Red and Blue data.

Note 2: 1-time transfer is used to transmit 1 pixel data with the 16-bit color depth information.

8.8.32 18-bit data bus for 18-bit/pixel (RGB-6-6-6-bit input), 262K-colors, 3Ah="06h"

There is 1 pixel (3 sub-pixels) per byte



Note 1: The data order is as follows, MSB=D17, LSB=D0 and picture data is MSB=Bit 5, LSB=Bit 0 for Read, Green and Blue data.

Note 2: 1-times transfer (D17 to D0) is used to transmit 1 pixel data with the 18-bit color depth information.

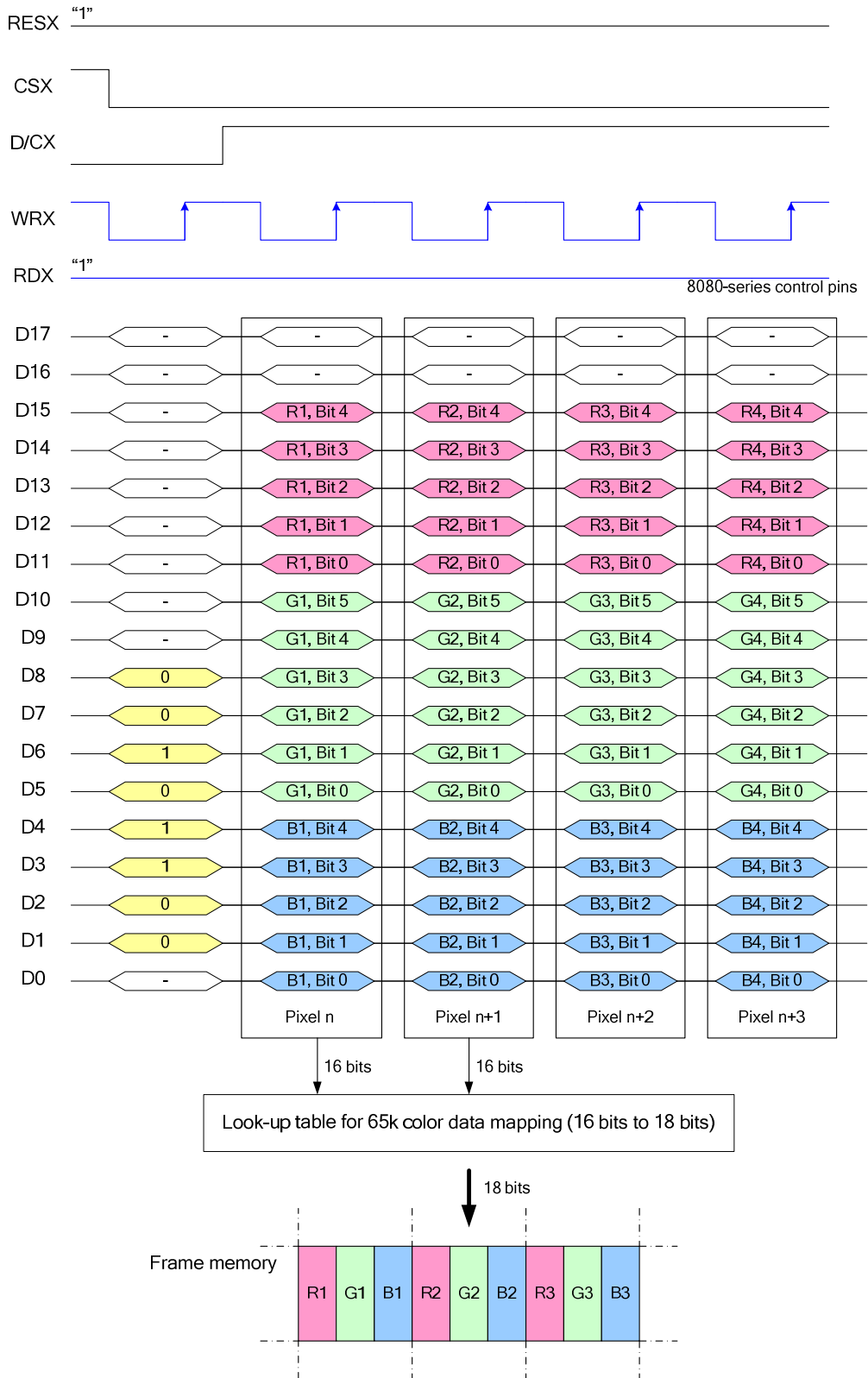
8.8.33 8080- II series 18-Bit Parallel Interface

The 8080- II series 18-bit parallel interface of ST7789V2 can be used by setting IM[3:0]="1010b". Different display data formats are available for two colors depth supported by listed below.

- 65k colors, RGB 5,6,5-bit input
- 262k colors, RGB 6,6,6-bit input.

8.8.34 18-bit data bus for 16-bit/pixel (RGB-5-6-5-bit input), 65K-colors, 3Ah="05h"

There is one pixel (3 sub-pixels) per byte

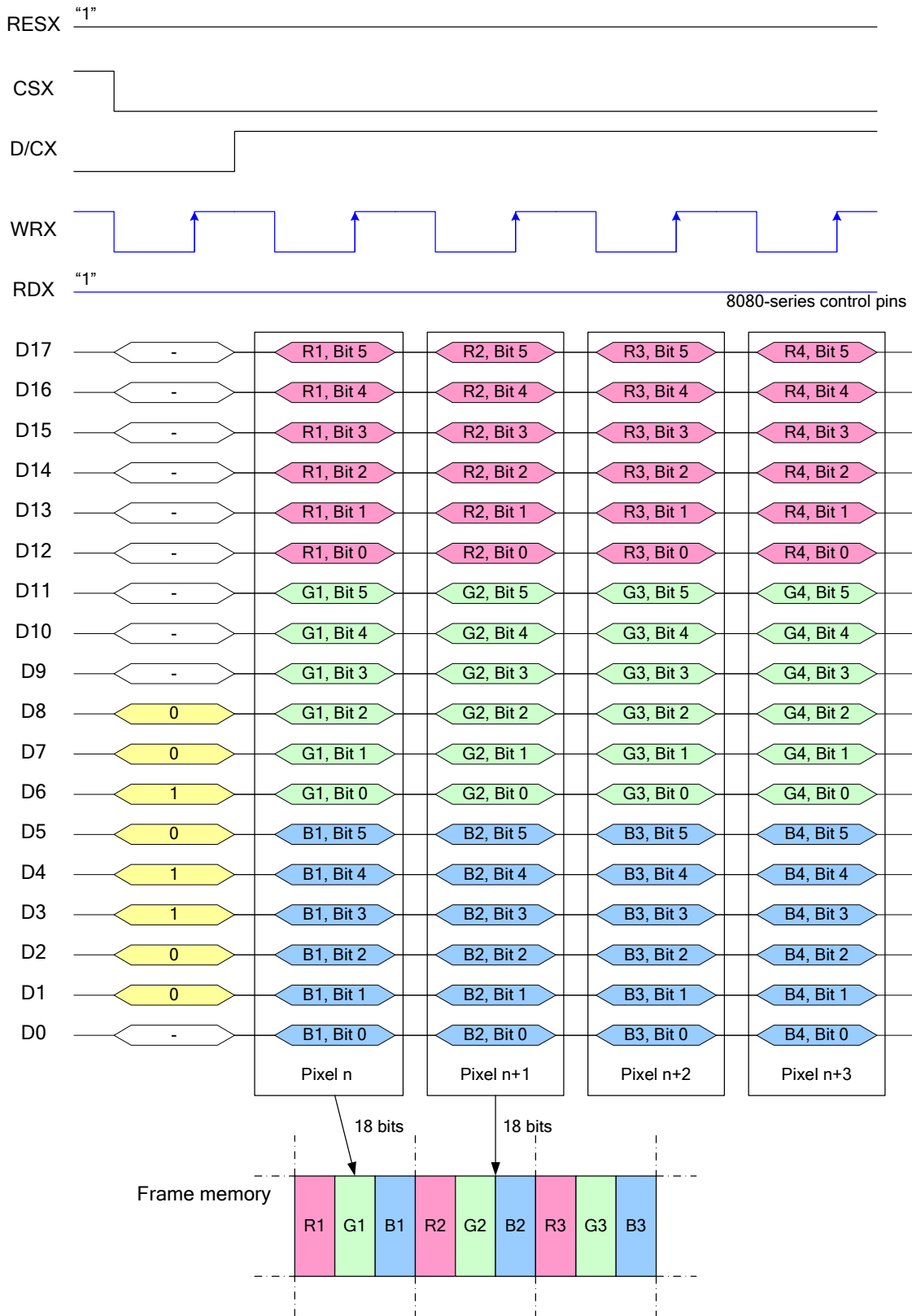


Note 1: The data order is as follows, MSB=D15, LSB=D0 and picture data is MSB=Bit 5, LSB=Bit 0 for Green, and MSB=Bit 4, LSB=Bit 0 for Red and Blue data.

Note 2: 1-time transfer is used to transmit 1 pixel data with the 16-bit color depth information.

8.8.35 18-bit data bus for 18-bit/pixel (RGB-6-6-6-bit input), 262K-colors, 3Ah="06h"

There is 1 pixel (3 sub-pixels) per byte



Note 1: The data order is as follows, MSB=D17, LSB=D0 and picture data is MSB=Bit 5, LSB=Bit 0 for Read, Green and Blue data.

Note 2: 1-times transfer (D17 to D0) is used to transmit 1 pixel data with the 18-bit color depth information.

8.8.36 3-Line Serial Interface

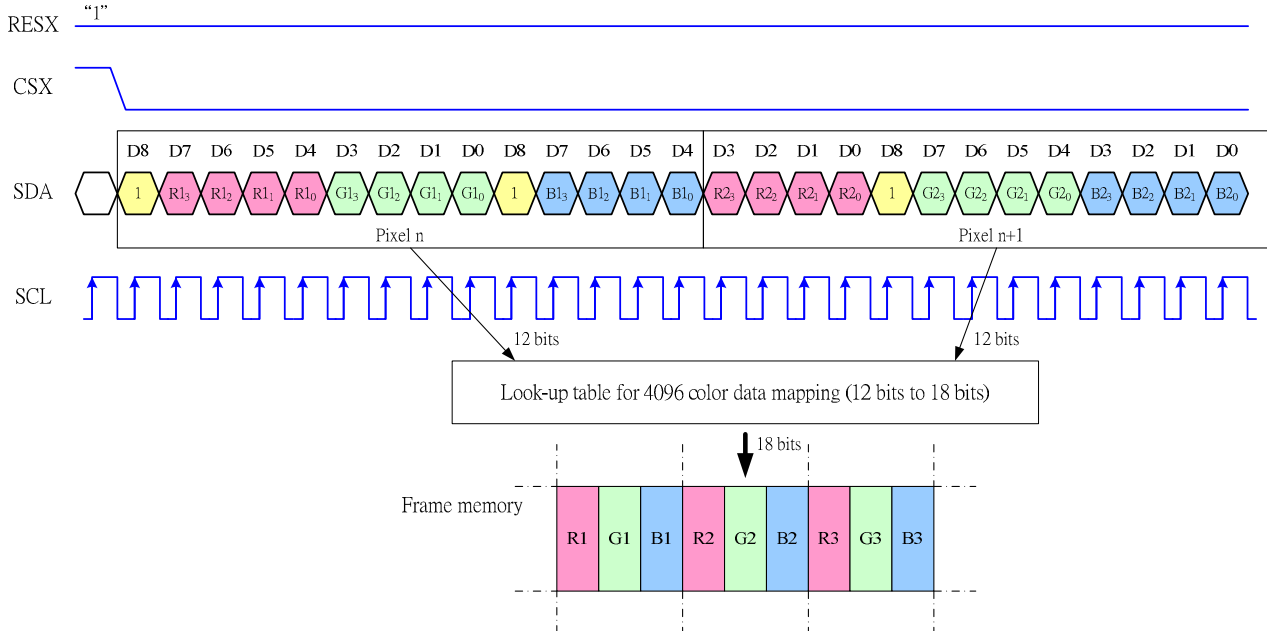
Different display data formats are available for three colors depth supported by the LCM listed below.

4k colors, RGB 4-4-4-bit input

65k colors, RGB 5-6-5-bit input

262k colors, RGB 6-6-6-bit input

8.8.37 Write data for 12-bit/pixel (RGB-4-4-4 bit input), 4K-Colors, 3Ah="03h"

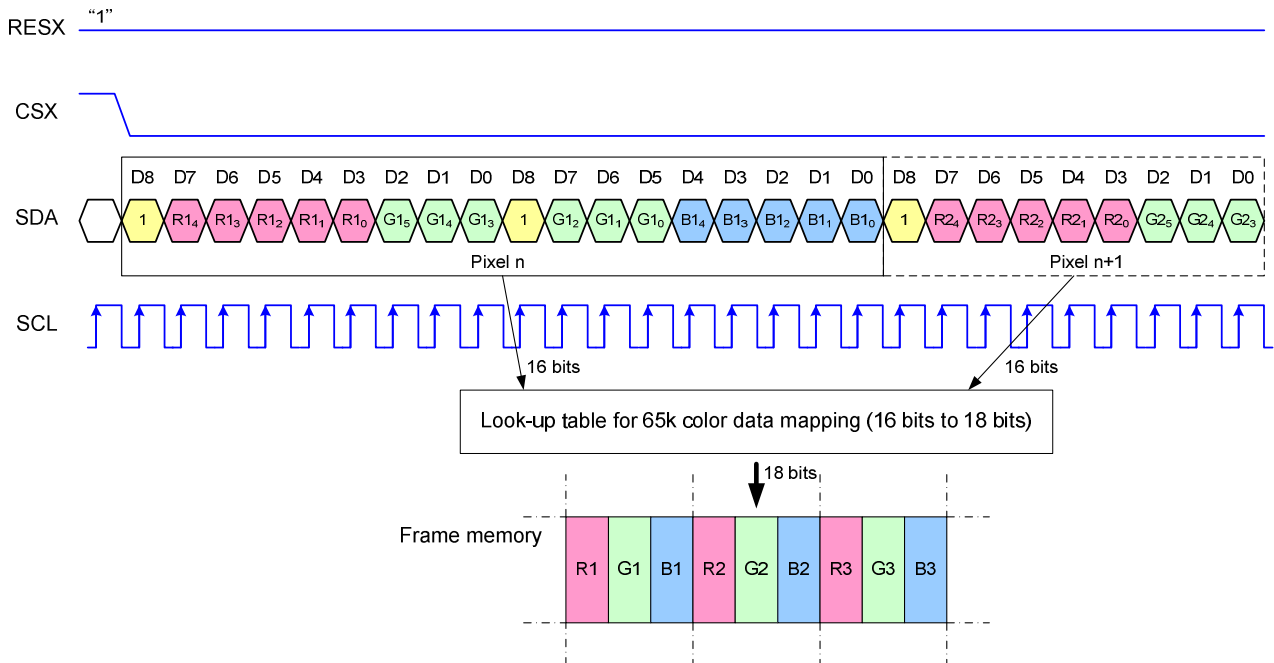


Note 1: Pixel data with the 12-bit color depth information

Note 2: The most significant bits are: Rx3, Gx3 and Bx3

Note 3: The least significant bits are: Rx0, Gx0 and Bx0

8.8.38 Write data for 16-bit/pixel (RGB 5-6-5-bit input), 65K-Colors, 3Ah="05h"

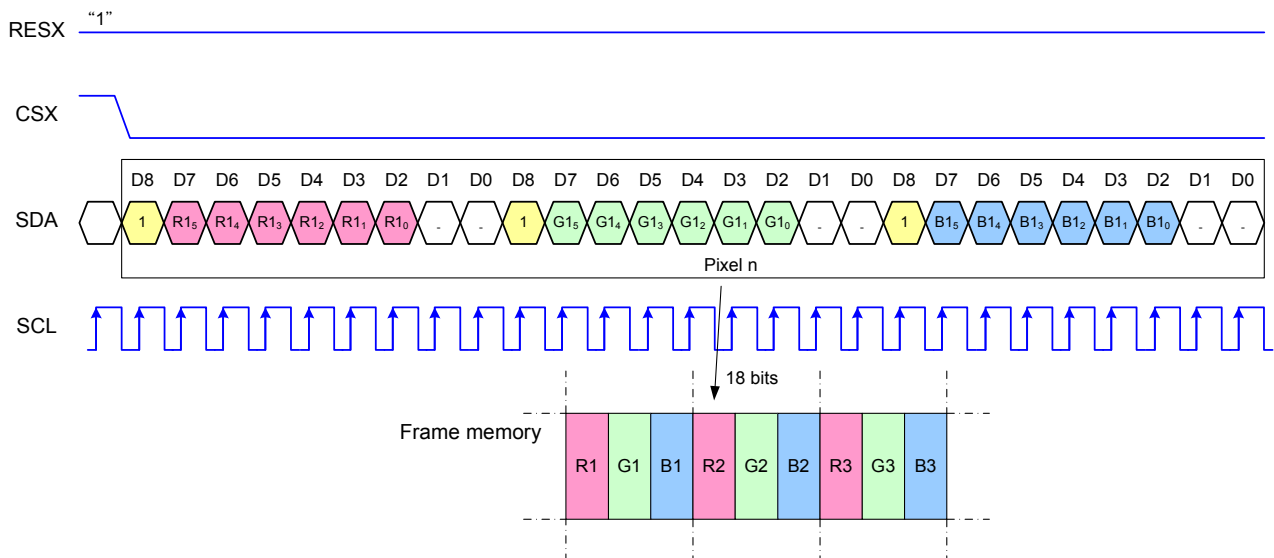


Note 1: Pixel data with the 16-bit color depth information

Note 2: The most significant bits are: Rx4, Gx5 and Bx4

Note 3: The least significant bits are: Rx0, Gx0 and Bx0

8.8.39 Write data for 18-bit/pixel (RGB-6-6-6-bit input), 262K-Colors, 3Ah="06h"



Note 1: Pixel data with the 18-bit color depth information

Note 2: The most significant bits are: Rx5, Gx5 and Bx5

Note 3: The least significant bits are: Rx0, Gx0 and Bx0

8.8.40 2 Data Lane Serial Interface

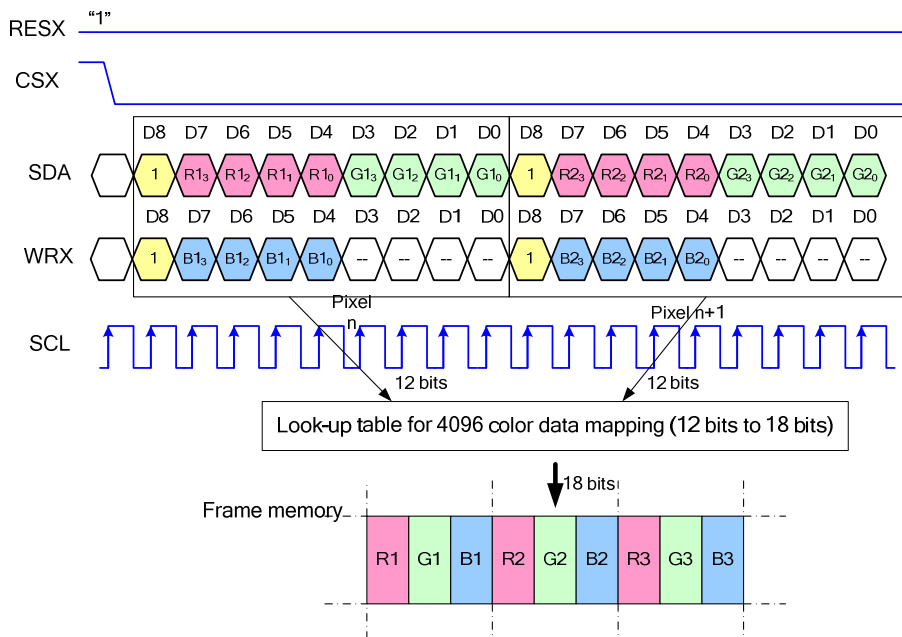
Different display data formats are available for three colors depth supported by the LCM listed below.

4k colors, RGB 4-4-4-bit input

65k colors, RGB 5-6-5-bit input

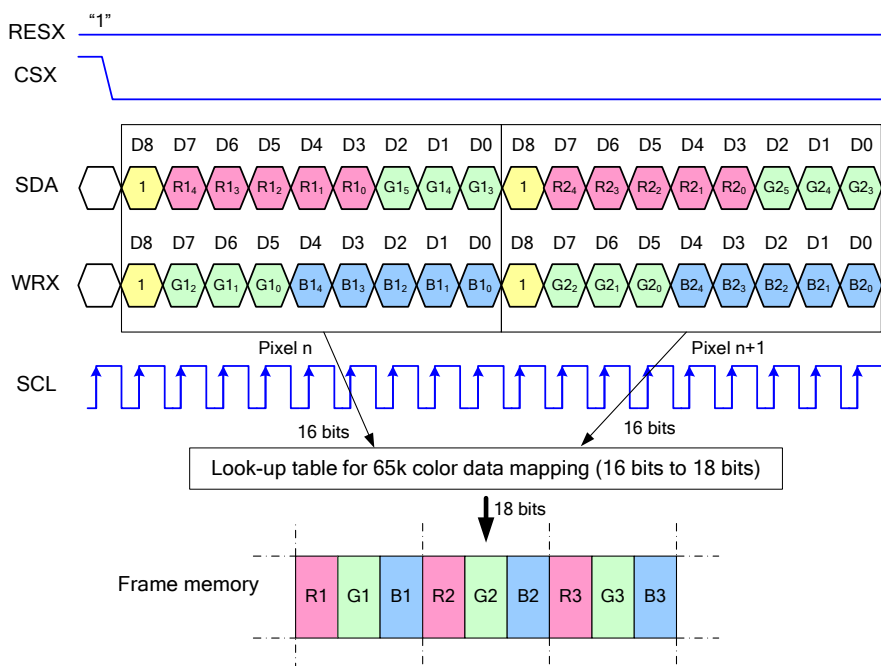
262k colors, RGB 6-6-6-bit input

8.8.41 Write data for 12-bit/pixel (RGB 4-4-4-bit input), 4K-Colors, 3Ah="03h"



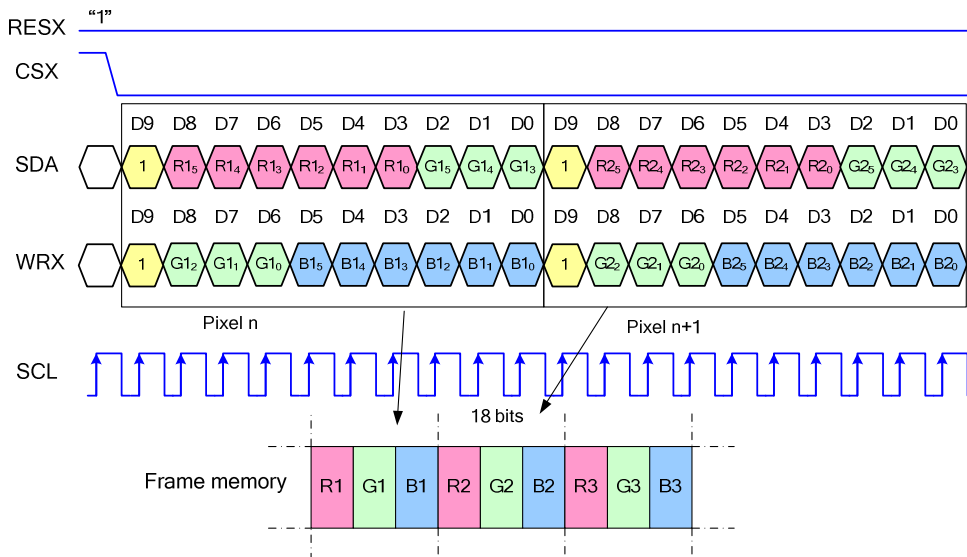
- Note 1: Pixel data with the 12-bit color depth information
- Note 2: The most significant bits are: Rx3, Gx3 and Bx3
- Note 3: The least significant bits are: Rx0, Gx0 and Bx0

8.8.42 Write data for 16-bit/pixel (RGB 5-6-5-bit input), 65K-Colors, 3Ah="05h"



- Note 1: Pixel data with the 16-bit color depth information
- Note 2: The most significant bits are: Rx4, Gx5 and Bx4
- Note 3: The least significant bits are: Rx0, Gx0 and Bx0

8.8.43 Write data for 18-bit/pixel (RGB 6-6-6-bit input), 262K-Colors, 3Ah="06h"



- Note 1: Pixel data with the 18-bit color depth information
- Note 2: The most significant bits are: Rx5, Gx5 and Bx5
- Note 3: The least significant bits are: Rx0, Gx0 and Bx0

8.8.44 4-Line Serial Interface

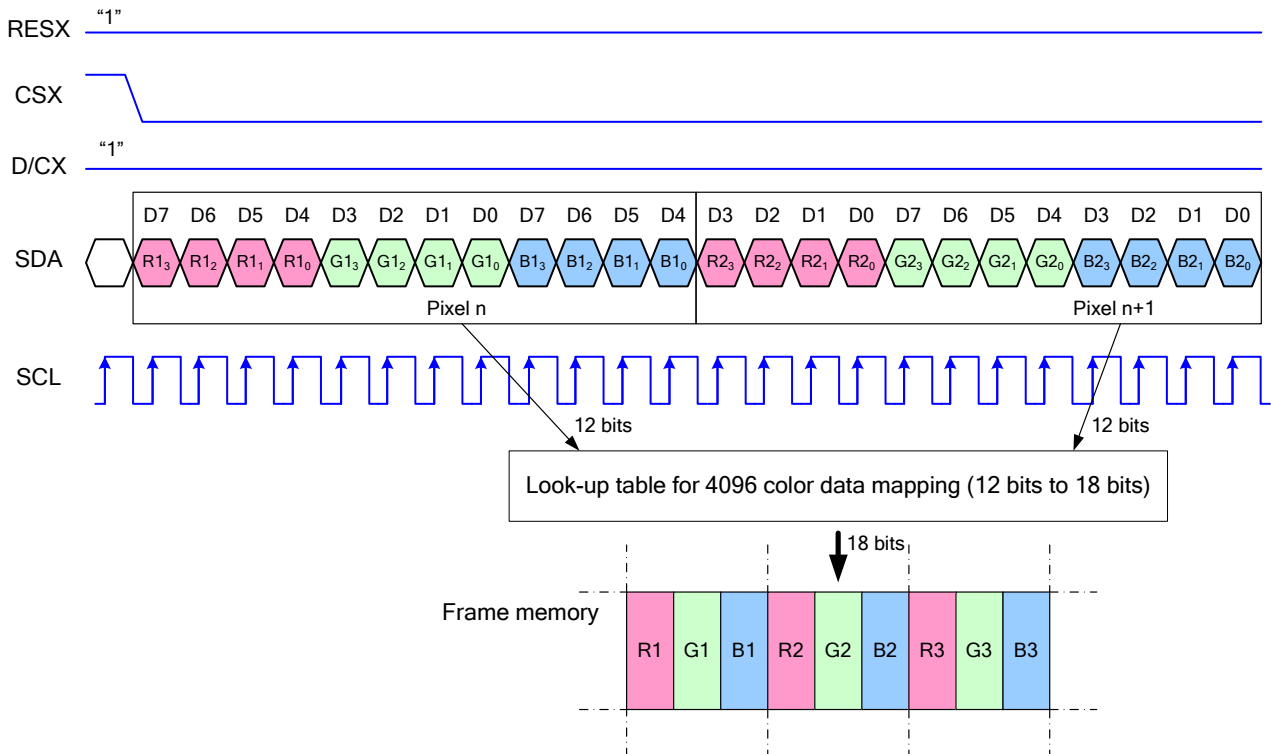
Different display data formats are available for three colors depth supported by the LCM listed below.

4k colors, RGB 4-4-4-bit input

65k colors, RGB 5-6-5-bit input

262k colors, RGB 6-6-6-bit input

8.8.45 Write data for 12-bit/pixel (RGB 4-4-4-bit input), 4K-Colors, 3Ah="03h"

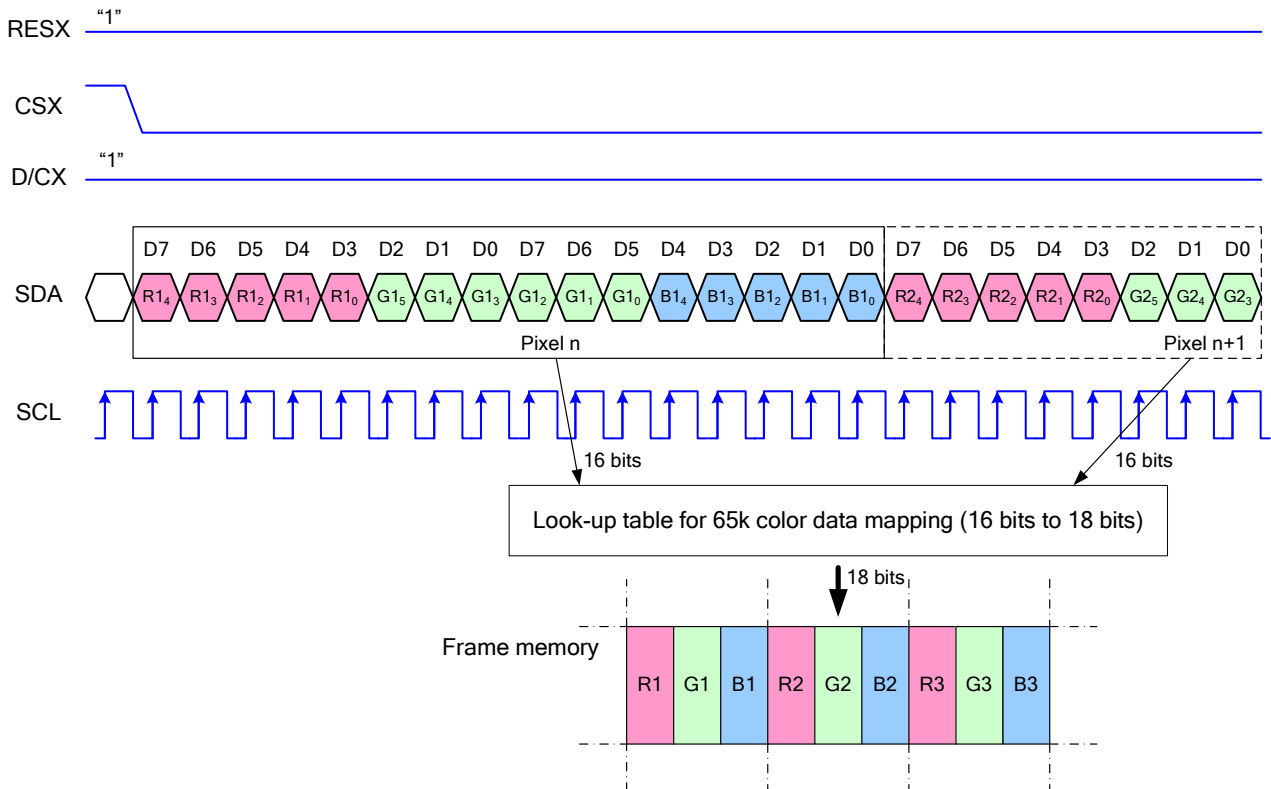


Note 1. pixel data with the 12-bit color depth information

Note 2. The most significant bits are: Rx3, Gx3 and Bx3

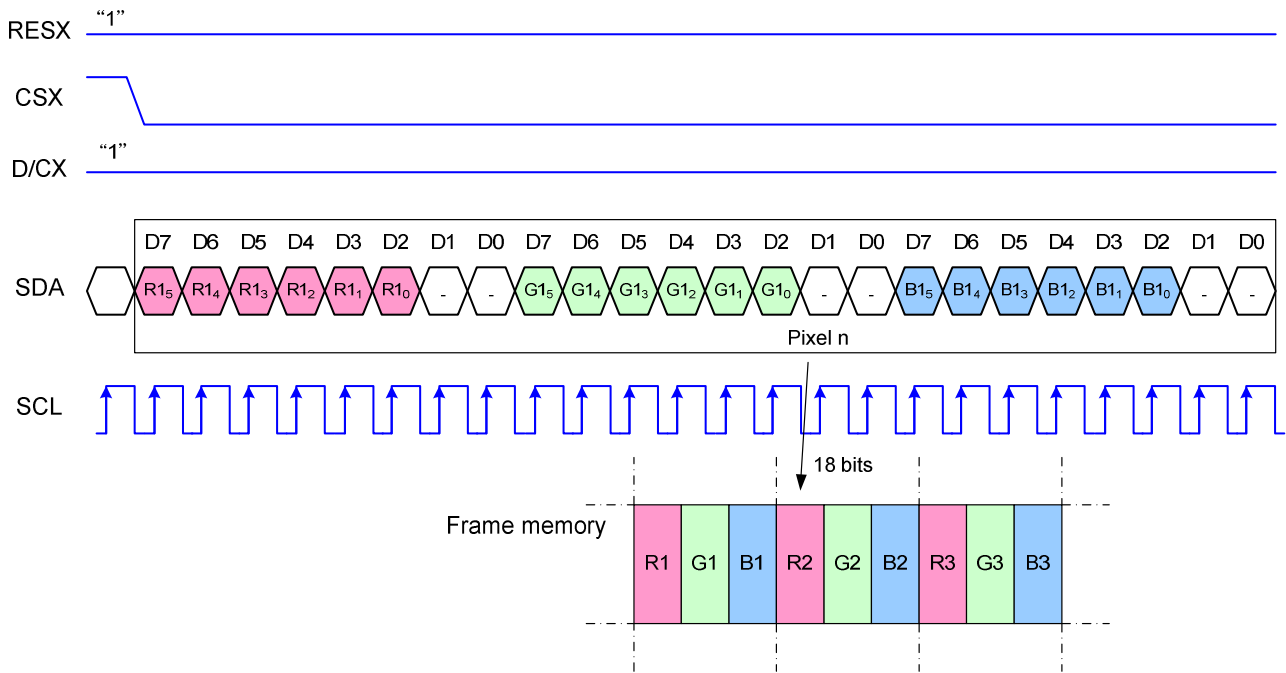
Note 3. The least significant bits are: Rx0, Gx0 and Bx0

8.8.46 Write data for 16-bit/pixel (RGB-5-6-5-bit input), 65K-Colors, 3Ah="05h"



Note 1. pixel data with the 16-bit color depth information
 Note 2. The most significant bits are: Rx4, Gx5 and Bx4
 Note 3. The least significant bits are: Rx0, Gx0 and Bx0

8.8.47 Write data for 18-bit/pixel (RGB-6-6-6-bit input), 262K-Colors, 3Ah="06h"



- Note 1. pixel data with the 18-bit color depth information
- Note 2. The most significant bits are: Rx5, Gx5 and Bx5
- Note 3. The least significant bits are: Rx0, Gx0 and Bx0

8.9 RGB Interface

8.9.1 RGB interface Selection

The color format selection of RGB Interface for ST7789V2 is selected by setting the RIM and command 3Ah, DB[6:4].

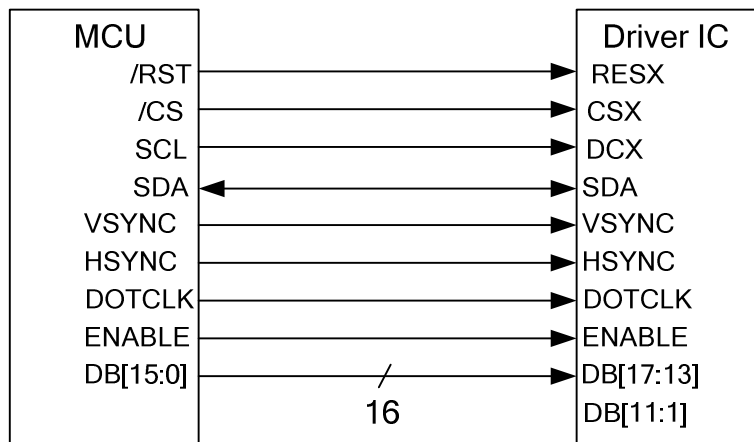
| RIM | 3Ah, DB[6:4] | RGB Interface Mode | Data pins |
|-----|--------------|---------------------------|---------------------|
| 0 | 110 | 18-bit 262K RGB Interface | DB[17:0] |
| 0 | 101 | 16-bit 65K RGB Interface | DB[17:13], DB[11:1] |
| 1 | 110 | 6-bit 262K RGB Interface | DB[5:0] |
| 1 | 101 | 6-bit 65K RGB Interface | DB[5:0] |

8.9.2 RGB Color Format

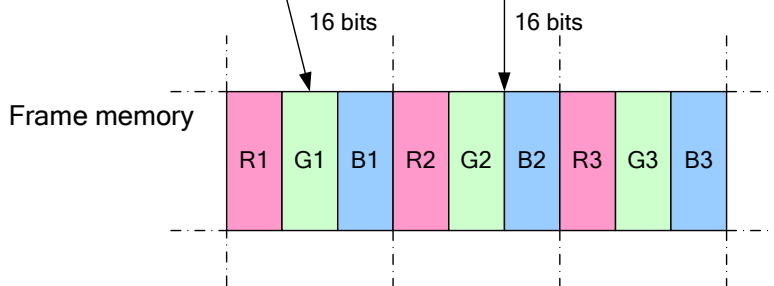
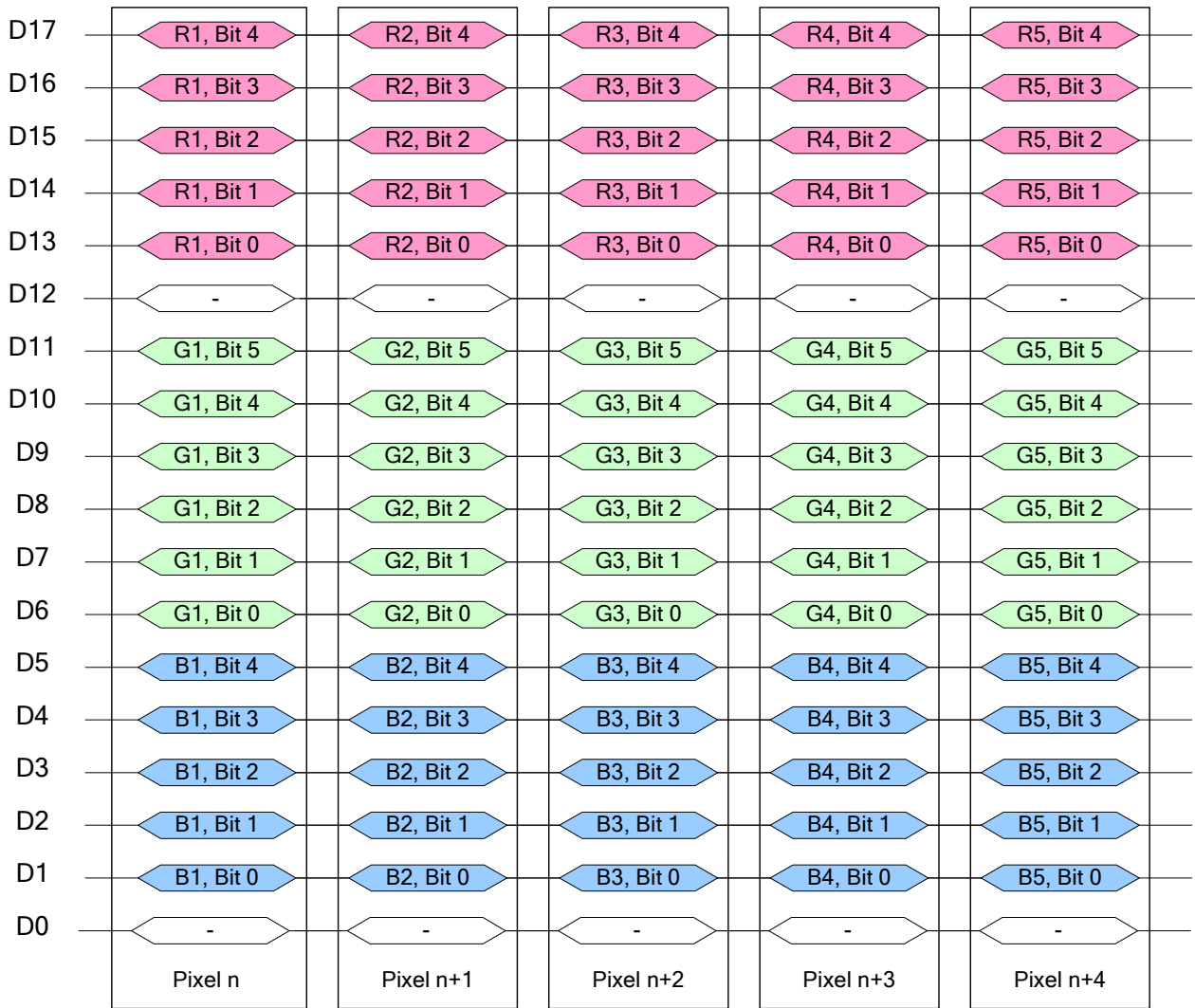
ST7789V2 supports two kinds of RGB interface, DE mode and HV mode, and 6bit/18bit data format. When DE mode is selected and the VSYNC, HSYNC, DOTCLK, DE, D[17:0] pins can be used; when HV mode is selected and the VSYNC, HSYNC, DOTCLK, D[17:0] pins can be used. When using RGB interface, only serial interface can be selected.

16-bit RGB interface Hardware suggestion, IM[3:0]=0101.

16-bit RGB Interface

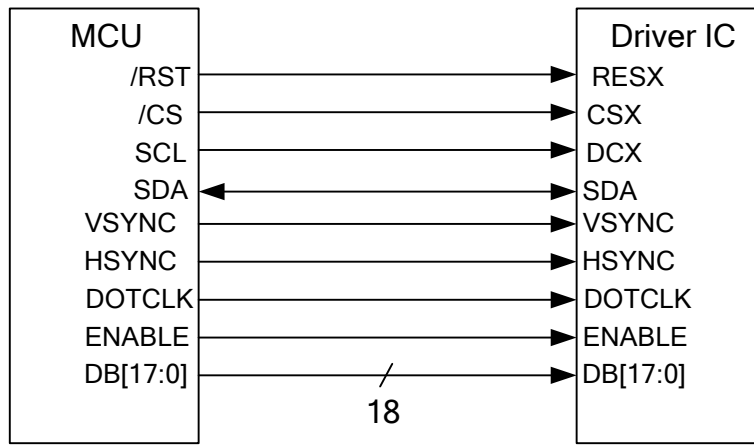


Write data for 16-bit/pixel (RGB 5-6-5-bit input), 65K-Colors

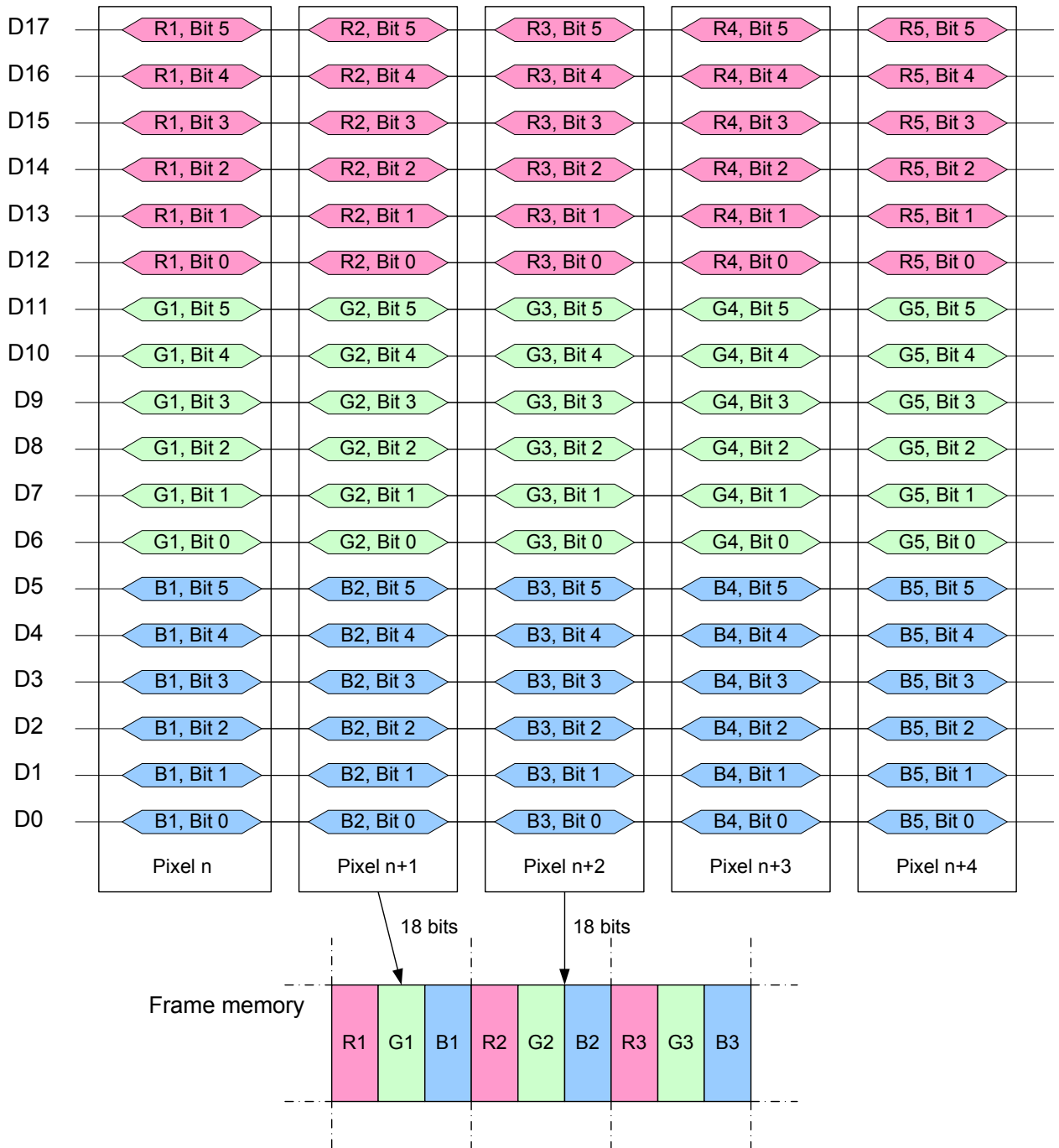


18-bit RGB interface hardware suggestion, IM[3:0]=0101.

18-bit RGB Interface

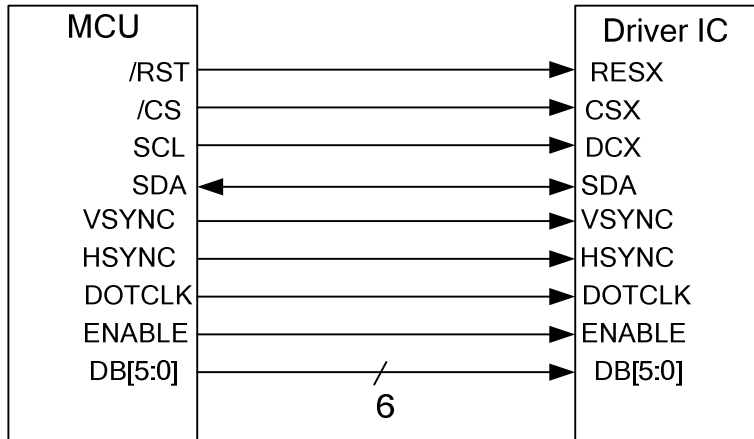


Write data for 18-bit/pixel (RGB 6-6-6-bit input), 262K-Colors

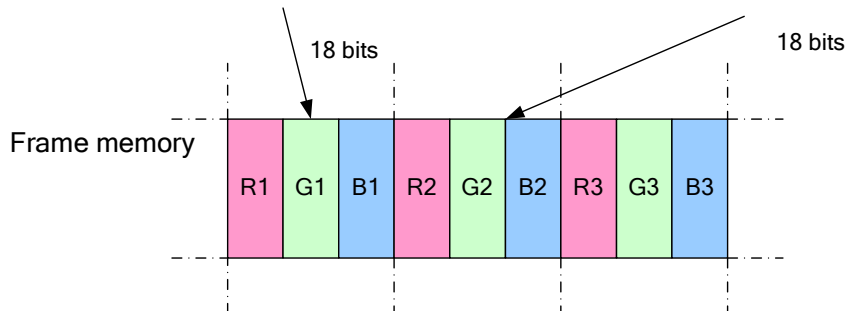
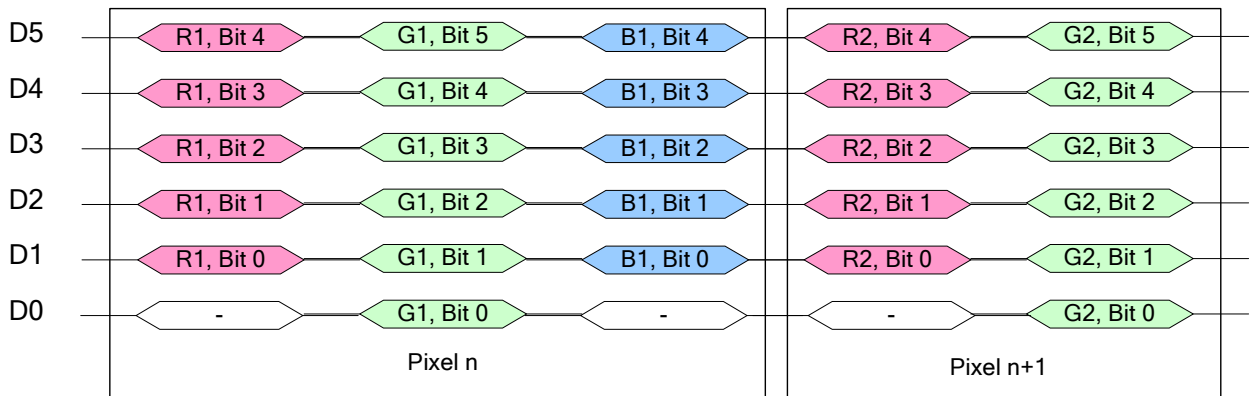


6-bit RGB interface hardware suggestion, IM[3:0]=0101.

6-bit RGB Interface



Write data for 6-bit/pixel (RGB 5-6-5-bit input), 65K-Colors



Write data for 6-bit/pixel (RGB 6-6-6-bit input), 262K-Colors

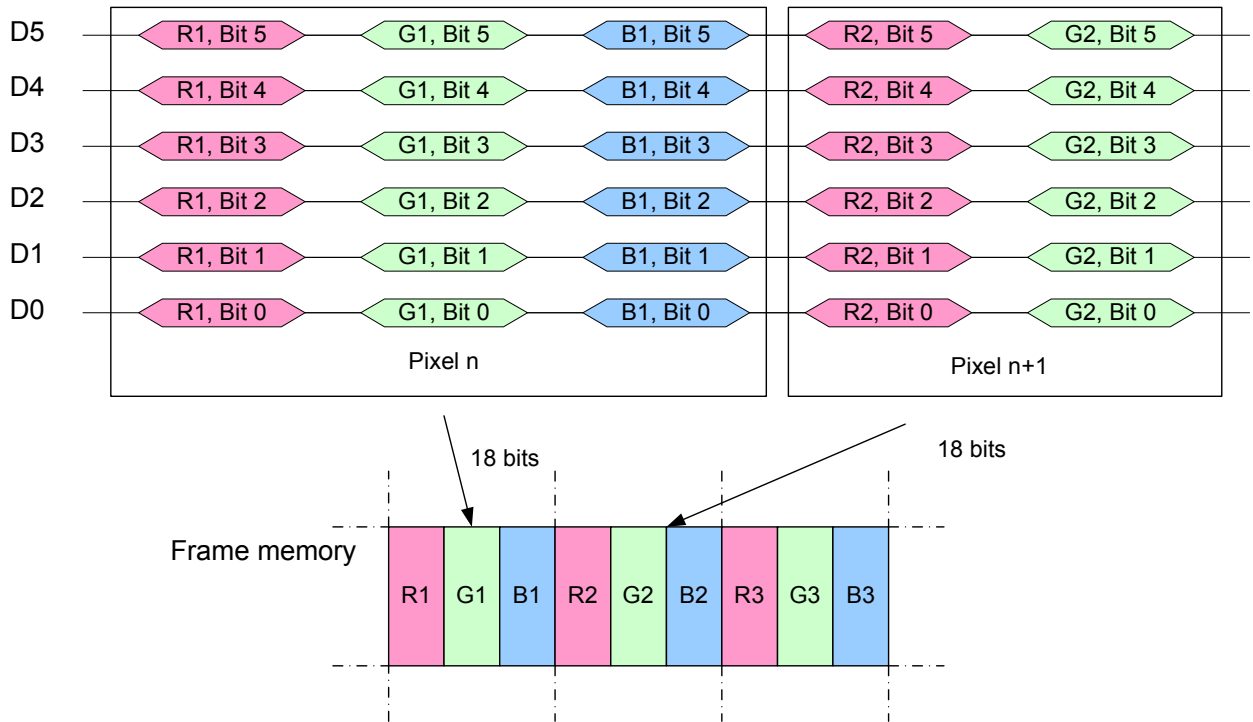


Figure 23 RGB Interface Data Format

8.9.3 RGB Interface Definition

The display operation via the RGB interface is synchronized with the VSYNC, HSYNC, and DOTCLK signals. The data can be written only within the specified area with low power consumption by using window address function. The back porch and front porch are used to set the RGB interface timing.

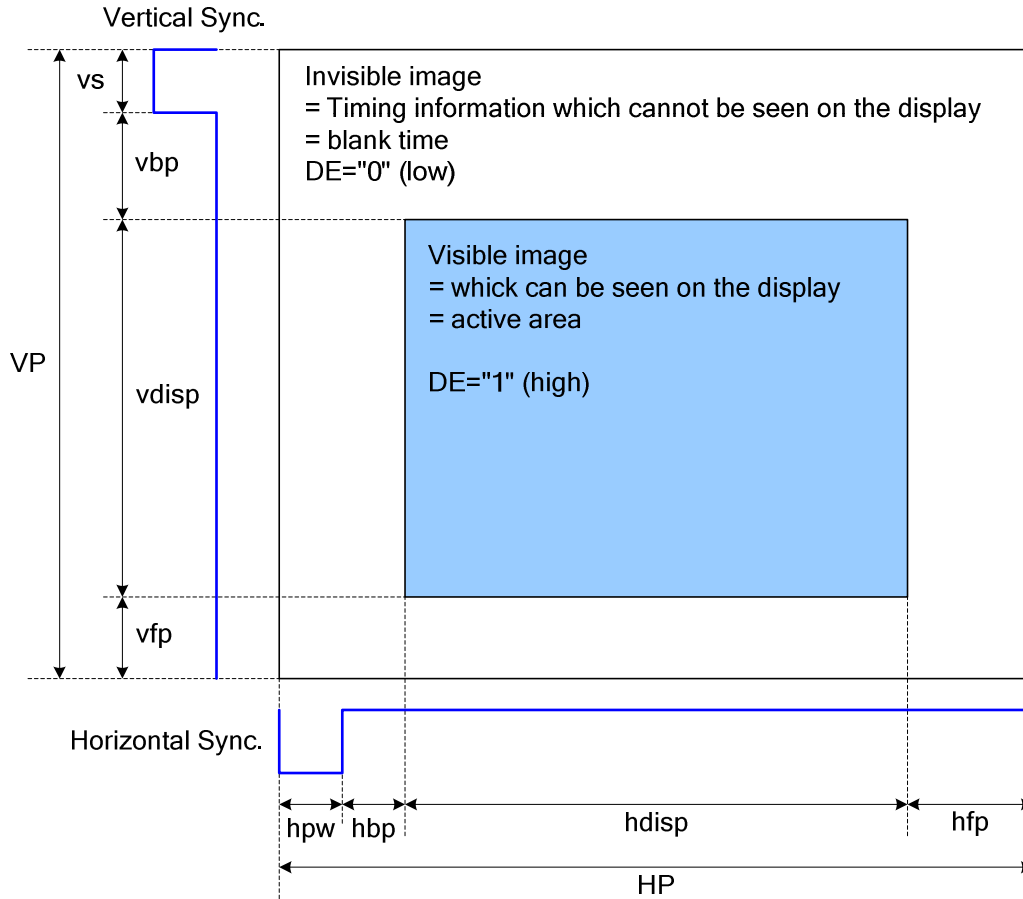


Figure 24 DRAM Access Area by RGB Interface

Please refer to the following table for the setting limitation of RGB interface signals.

| Parameter | Symbol | Min. | Typ. | Max. | Unit |
|------------------------------|--------|------|------|------------|-------|
| Horizontal Sync. Width | hpw | 2 | 10 | hpw+hbp=31 | Clock |
| Horizontal Sync. Back Porch | hbp | 4 | 10 | | Clock |
| Horizontal Sync. Front Porch | hfp | 2 | 38 | - | Clock |
| Vertical Sync. Width | vs | 2 | 4 | vs+vbp=127 | Line |
| Vertical Sync. Back Porch | vbp | 2 | 4 | | Line |
| Vertical Sync. Front Porch | vfp | 2 | 8 | - | Line |

Note:

Typical value are related to the setting of dot clock is 7MHz and frame rate is 70Hz..

If the setting of hpw is 10 dot clocks and hbp is 10 dot clocks, the setting of HBP in command B1h is 20 dot clocks

In with ram mode, $hpw+hbp+hfp \geq 22$

In without ram mode, $hpw+hbp \geq 20$

6bit RGB interface:

| Parameter | Symbol | Min. | Typ. | Max. | Unit |
|------------------------------|--------|------|------|------------|-------|
| Horizontal Sync. Width | hpw | 6 | 30 | hpw+hbp=93 | Clock |
| Horizontal Sync. Back Porch | hbp | 12 | 30 | | Clock |
| Horizontal Sync. Front Porch | hfp | 6 | 60 | - | Clock |
| Vertical Sync. Width | vs | 2 | 4 | vs+vbp=127 | Line |
| Vertical Sync. Back Porch | vbp | 2 | 4 | | Line |
| Vertical Sync. Front Porch | vfp | 2 | 8 | - | Line |

Note:

Typical value are related to the setting of dot clock is 17MHz and frame rate is 60Hz, $VDD=VDDI=2.8V$.

In with ram mode, $hpw+hbp+hfp \geq 66$

In without ram mode, $hpw+hbp \geq 60$

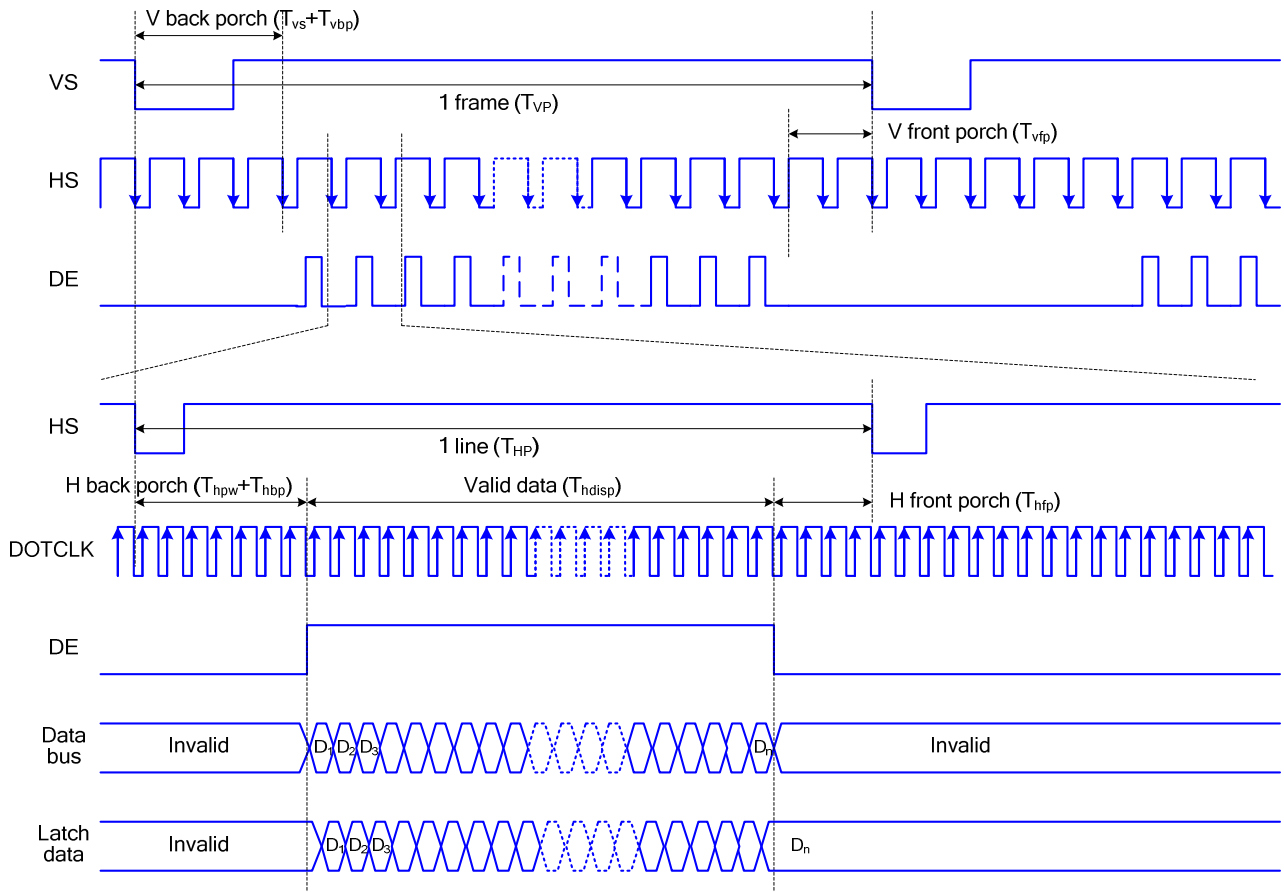
8.9.4 RGB Interface Mode Selection

ST7789V2 supports two kinds of RGB interface, DE mode and HV mode. Each mode also can select with ram and without ram. The table shown below uses command B1h to select RGB interface mode.

| RCM[1:0] | WO | RGB Mode | Data Path |
|----------|----|----------|------------------------------|
| 10 | 0 | DE mode | Ram |
| | 1 | | Shift register (without Ram) |
| 11 | 0 | HV mode | Ram |
| | 1 | | Shift register (without Ram) |

8.9.5 RGB Interface Timing

The timing chart of RGB interface DE mode is shown as follows.



Note: The setting of front porch and back porch in host must match that in IC as this mode.

Figure 25 Timing Chart of Signals in RGB Interface DE Mode

The timing chart of RGB interface HV mode is shown as follows.

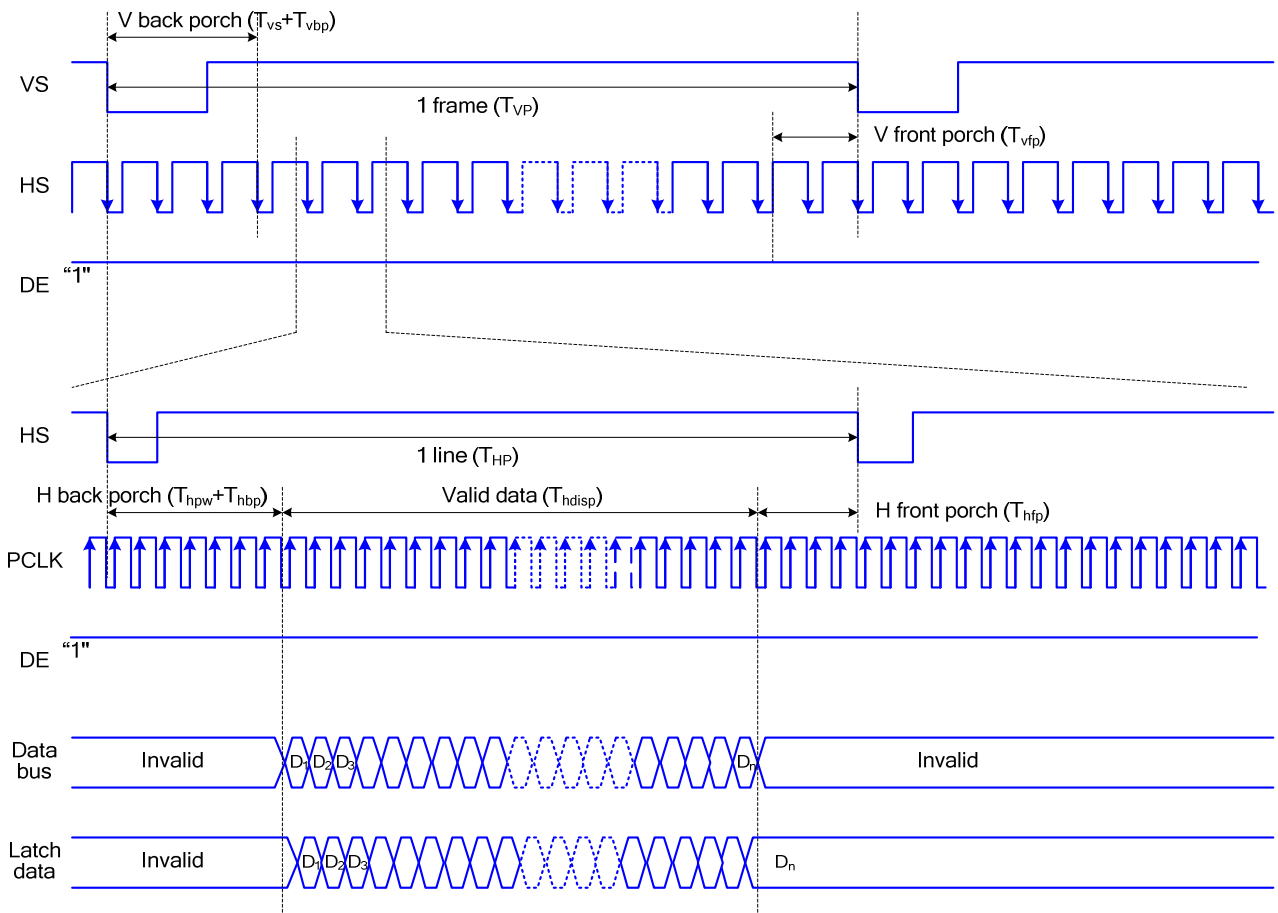


Figure 26 Timing chart of RGB interface HV mod

The following are the functions not available in RGB Input Interface mode.

| Function | RGB Interface | I80 System Interface |
|-----------------------------|---------------|----------------------|
| Partial display | Not available | Available |
| Scroll function | Not available | Available |
| Interlaced scan | Not available | Available |
| Graphics operation function | Not available | Available |

VSYNC, HSYNC, and DOTCLK signals must be supplied during a display operation period.

In RGB interface mode, the panel controlling signals are generated from DOTCLK, not the internal clock generated from the internal oscillator.

In 6-bit RGB interface mode, each of RGB dots are transferred in synchronization with DOTCLK signals. In other words, one pixel data needs to take three DOTCLKs to transfer.

In 6-bit RGB interface mode, the cycles of VSYNC, HSYNC, ENABLE, DOTCLK signals must be set correctly so that the data transfer is completed in units of pixels.

When switching between the internal operation mode and the external display interface operation mode, follow the sequences below in setting instruction.

In RGB interface mode, the front porch period continues until the next VSYNC input is detected after drawing one frame.

In RGB interface mode, a RAM address is set in the address counter every frame on the falling edge of VSYNC.

8.10 VSYNC Interface

8.10.1 18-bit RGB Interface

The ST7789V2 incorporates VSYNC interface, which enables motion pictures to be displayed with only the conventional system interface and the frame synchronization signal (VSYNC). This interface requires minimal changes from the conventional system to display motion pictures. In this interface the internal display operation is synchronized with VSYNC. Data for display is written to RAM via the system interface with higher speed than for internal display operation. This method enables tearing-free display of motion pictures with the conventional interface.

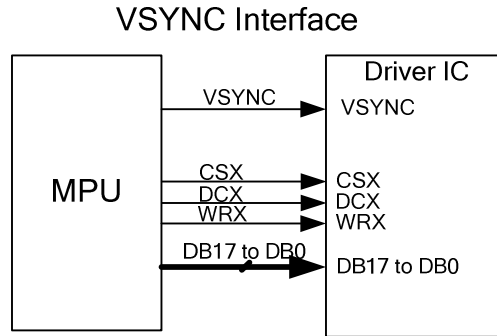


Figure 27 Data transmission through VSYNC interface

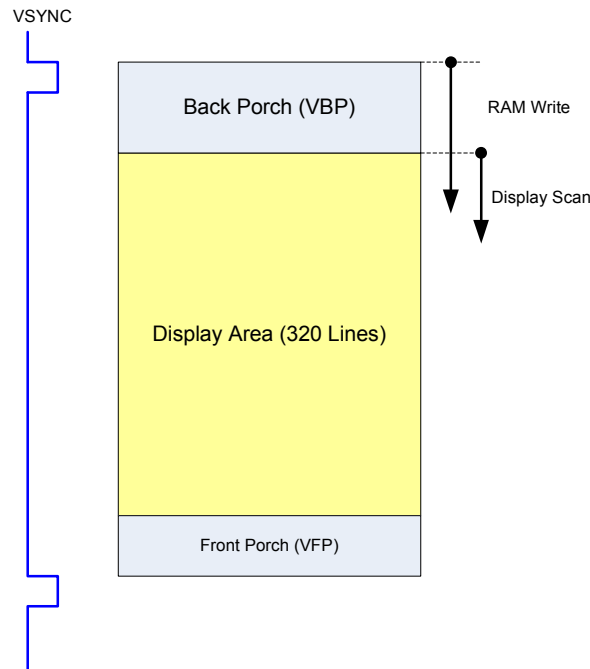


Figure 28 Operation through VSYNC Interface

Display operation can be achieved by using the internal clock generated by the internal oscillator and the VSYNC input. Because all the data for display is written to RAM, only the data to be rewritten is transferred. This method reduces the amount of data transferred during motion picture display operation.

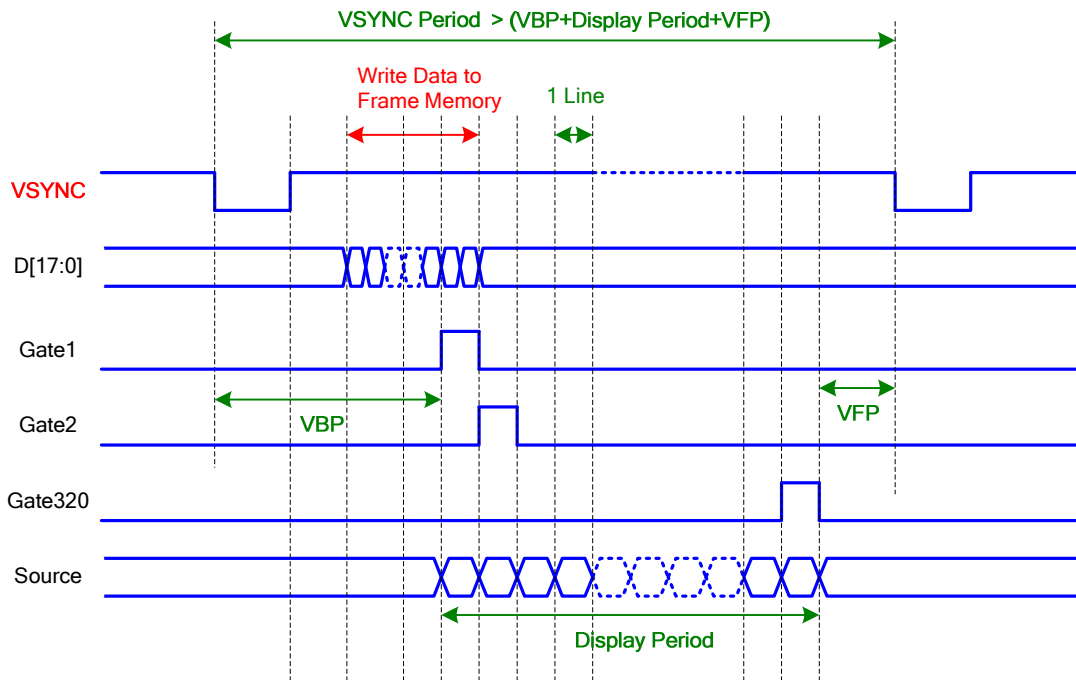


Figure 29 Timing Diagram of VSYNC Interface

VSYNC interface requires taking the minimum speed for RAM writing via the system interface and the frequency of the internal clock into consideration. RAM writing should be performed with higher speed than the result obtained from the calculation shown below. The internal memory writing address counter is reset by VSYNC. So, insure interval time between VSYNC falling and DRAM data writing.

Note:

1. VSYNC period should always be constant. If not, some degradation of display such as flicker may occur in LCD system.
2. Display data don't need to be written for every VSYNC period. For example, any system is working under 60Hz frame rate and 30-fps motion picture condition. So being written display data for every other frame would be enough.

8.10.2 VSYNC Interface Mode

Leading Mode

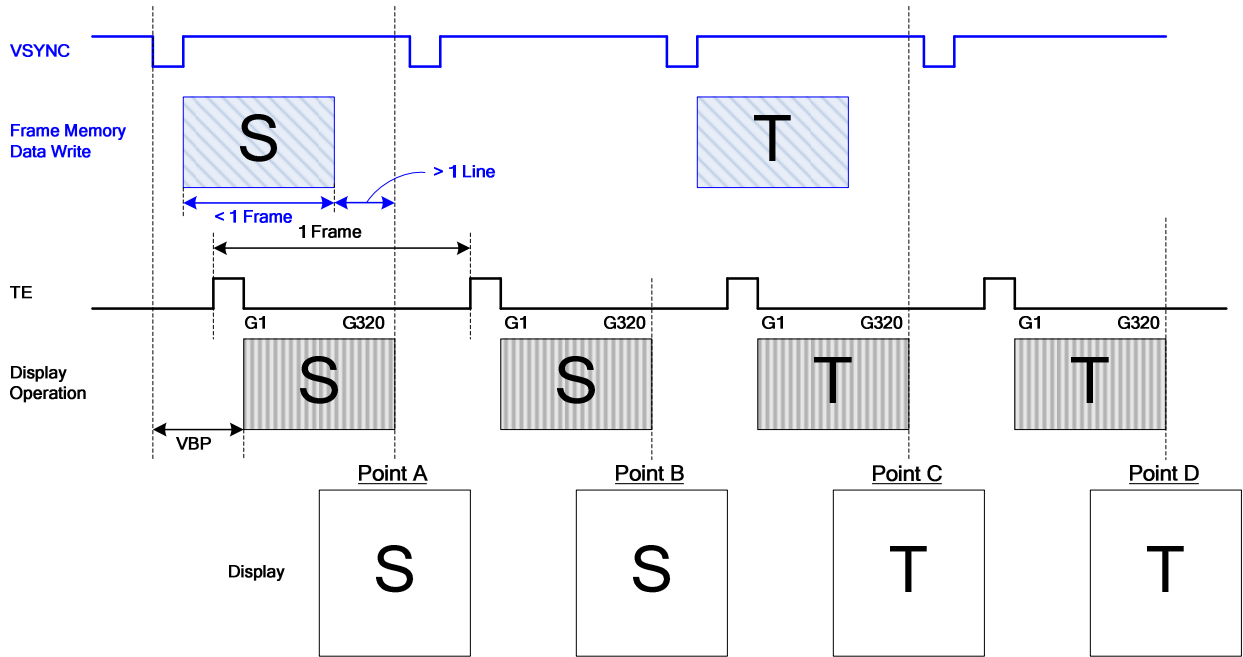


Figure 30 Operation for Leading Mode of VSYNC Interface

Lagging Mode

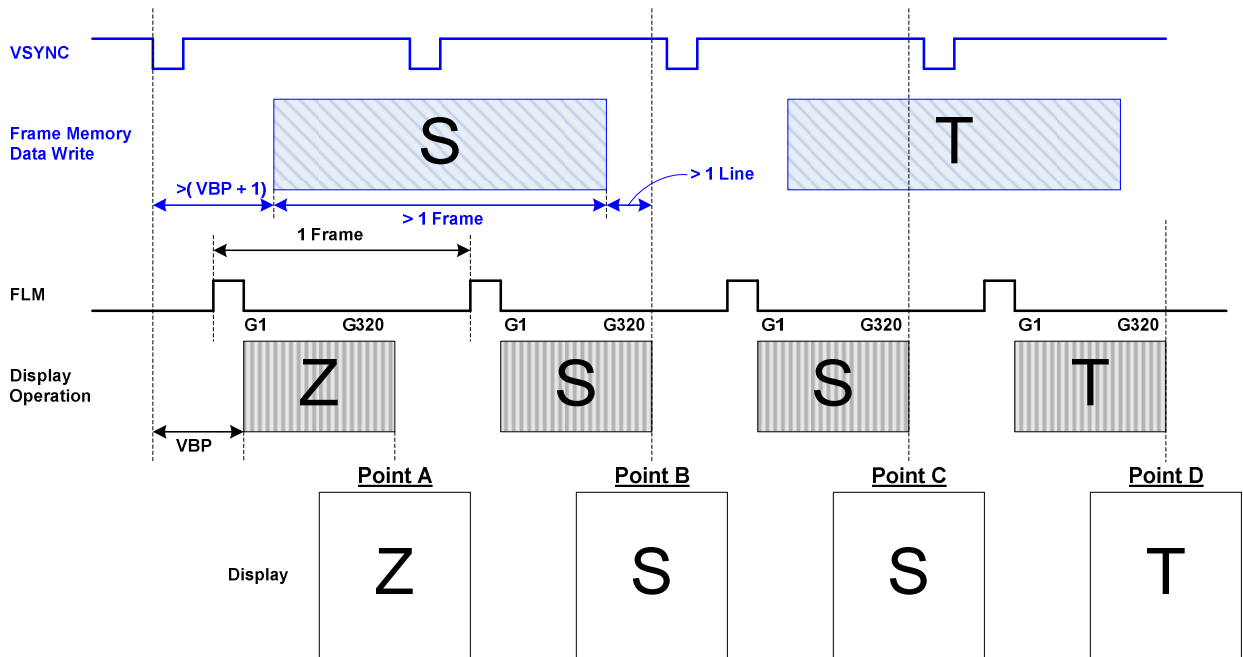


Figure 31 Operation for Lagging Mode of VSYNC Interface

Notes:

1. When RAM writing does not start immediately after the falling edge of VSYNC, the time between the falling edge of VSYNC and the RAM writing start timing must also be considered.

1. The minimum DRAM write speed must be satisfied and the frequency variation must be taken into consideration.

2. The display frame rate is determined by the VSYNC signal and the period of VSYNC must be longer than the scan period of an entire display.

3. When switching from the internal clock operation mode to the VSYNC interface mode or inversely, the switching starts from the next VSYNC cycle, i.e. after completing the display of the frame.

4. The partial display, vertical scroll, and interlaced scan functions are not available in VSYNC interface mode and set the AM bit to "0" to transfer display data.

8.11 Display Data RAM

8.11.1 Configuration

The display module has an integrated 240x320x18-bit graphic type static RAM. This 1382400-bit memory allows storing on-chip a 240xRGBx320 image with an 18-bpp resolution (262K-color). There will be no abnormal visible effect on the display when there is a simultaneous Panel Read and Interface Read or Write to the same location of the Frame Memory.

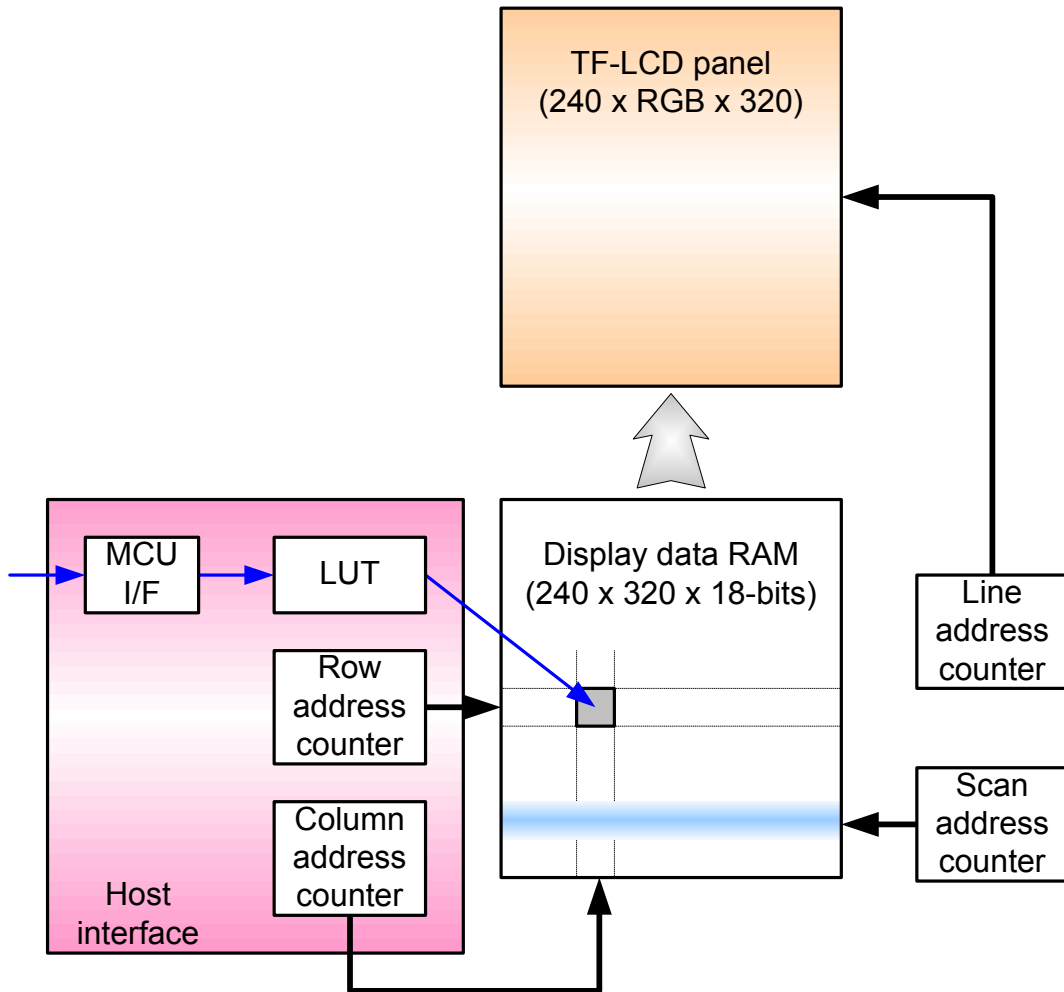


Figure 32 Display data RAM organization

8.11.2 Memory to display address mapping

| | | | | RGB alignment | | | | | | | | | | | |
|----------------------|--|---------------|---------------|---------------|-----|---|---|---|---|--|--|-----|-----|-----|-----|
| Data control command | | | | Column | | | | | | | | | | | |
| | | (MADCTR) MX=0 | | 0 | 1 | | | | | | | | | | 239 |
| | | | | | | | | | | | | | | | |
| | | (MADCTR) MX=1 | | 239 | 238 | | | | | | | | | | 0 |
| | | | | | | | | | | | | | | | |
| | | Color | | R | G | B | R | G | B | | | R | G | B | |
| | | Data | | R | G | B | R | G | B | | | R | G | B | |
| | | Page | | | | | | | | | | | | | |
| | | (MADCTR) MY=0 | (MADCTR) MY=1 | | | | | | | | | | | | |
| | | 0 | 319 | | | | | | | | | | | | |
| | | 1 | 318 | | | | | | | | | | | | |
| | | 2 | 317 | | | | | | | | | | | | |
| | | 3 | 316 | | | | | | | | | | | | |
| | | 4 | 315 | | | | | | | | | | | | |
| | | 5 | 314 | | | | | | | | | | | | |
| | | 6 | 313 | | | | | | | | | | | | |
| | | 7 | 312 | | | | | | | | | | | | |
| | | : | : | | | | | | | | | | | | |
| | | 312 | 7 | | | | | | | | | | | | |
| | | 313 | 6 | | | | | | | | | | | | |
| | | 314 | 5 | | | | | | | | | | | | |
| | | 315 | 4 | | | | | | | | | | | | |
| | | 316 | 3 | | | | | | | | | | | | |
| | | 317 | 2 | | | | | | | | | | | | |
| | | 318 | 1 | | | | | | | | | | | | |
| | | 319 | 0 | | | | | | | | | | | | |
| Source output | | | | 0 | 1 | 2 | 3 | 4 | 5 | | | 717 | 718 | 719 | |

8.12 Address Control

The address counter sets the addresses of the display data RAM for writing and reading.

Data is written pixel-wise into the RAM matrix of DRIVER. The data for one pixel or two pixels is collected (RGB 6-6-6-bit), according to the data formats. As soon as this pixel-data information is complete the “Write access” is activated on the RAM. The locations of RAM are addressed by the address pointers. The address ranges are X=0 to X=239 (Efh) and Y=0 to Y=319 (13Fh). Addresses outside these ranges are not allowed. Before writing to the RAM, a window must be defined that will be written. The window is programmable via the command registers XS, YS designating the start address and XE, YE designating the end address.

For example the whole display contents will be written, the window is defined by the following values: XS=0 (0h) YS=0 (0h) and XE=239 (Efh), YE=319 (13Fh).

In vertical addressing mode (MV=1), the Y-address increments after each byte, after the last Y-address (Y=YE), Y wraps around to YS and X increments to address the next column. In horizontal addressing mode (V=0), the X-address increments after each byte, after the last X-address (X=XE), X wraps around to XS and Y increments to address the next row. After the every last address (X=XE and Y=YE) the address pointers wrap around to address (X=XS and Y=YS).

For flexibility in handling a wide variety of display architectures, the commands “CASET, RASET and MADCTL”, define flags MX and MY, which allows mirroring of the X-address and Y-address. All combinations of flags are allowed. Section 8.12 show the available combinations of writing to the display RAM. When MX, MY and MV will be changed the data must be rewritten to the display RAM.

For each image condition, the controls for the column and row counters apply as below

| Condition | Column Counter | Row Counter |
|---|-------------------------------|----------------------------|
| When RAMWR/RAMRD command is accepted | Return to “Start Column (XS)” | Return to “Start Row (YS)” |
| Complete Pixel Read / Write action | Increment by 1 | No change |
| The Column counter value is larger than “End Column (XE)” | Return to “Start Column (XS)” | Increment by 1 |
| The Column counter value is larger than “End Column (XE)” and the Row counter value is larger than “End Row (YE)” | Return to “Start Column (XS)” | Return to “Start Row (YS)” |

| Display Data Direction | MADCTR Parameter | | | Image in the Host (MPU) | Image in the Driver (DDRAM) |
|--------------------------------|------------------|----|----|-------------------------|-----------------------------|
| | MV | MX | MY | | |
| Normal | 0 | 0 | 0 | | |
| Y-Mirror | 0 | 0 | 1 | | |
| X-Mirror | 0 | 1 | 0 | | |
| X-Mirror Y-Mirror | 0 | 1 | 1 | | |
| X-Y Exchange | 1 | 0 | 0 | | |
| X-Y Exchange Y-Mirror | 1 | 0 | 1 | | |
| X-Y Exchange X-Mirror | 1 | 1 | 0 | | |
| X-Y Exchange X-Mirror Y-Mirror | 1 | 1 | 1 | | |

Figure 33 Display data RAM organization

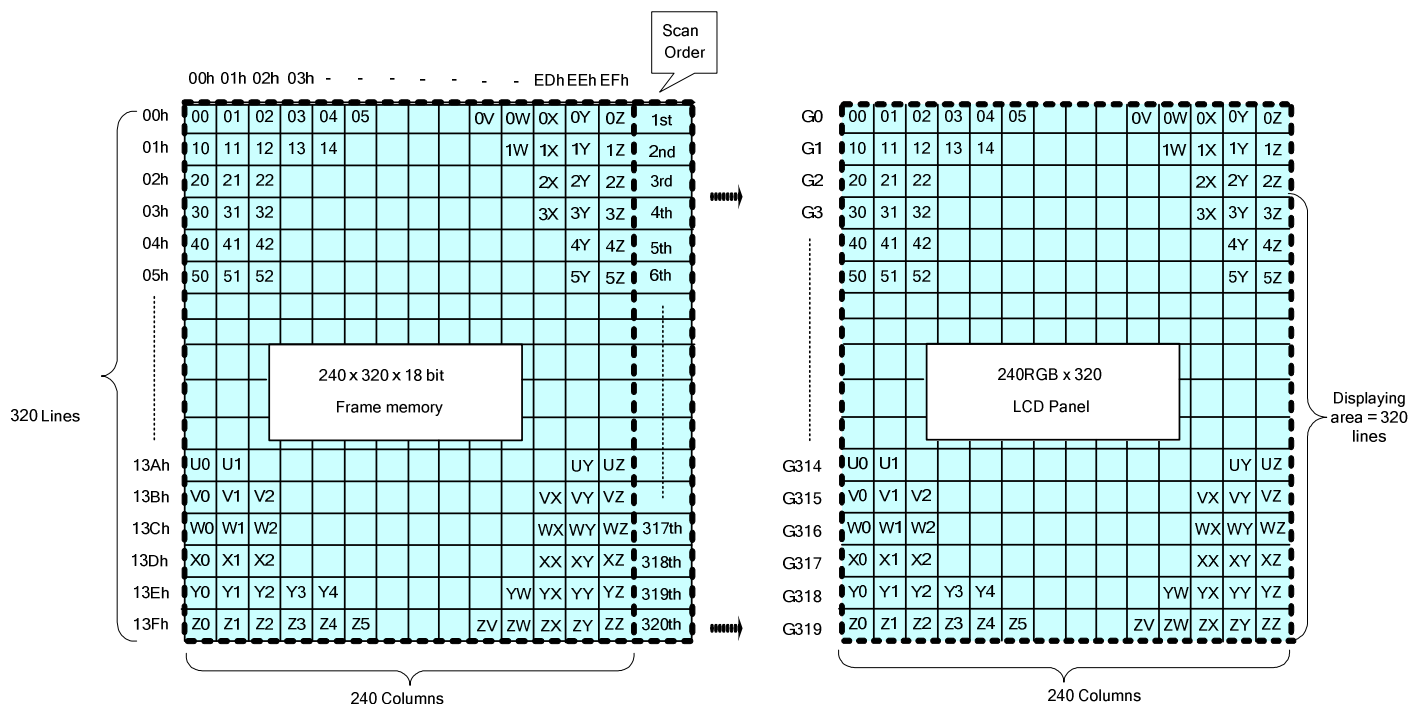
8.13 Normal Display On or Partial Mode On, Vertical Scroll Off

In this mode, contents of the frame memory within an area where column address is 00h to 83h and row address is 00h to 83h is displayed.

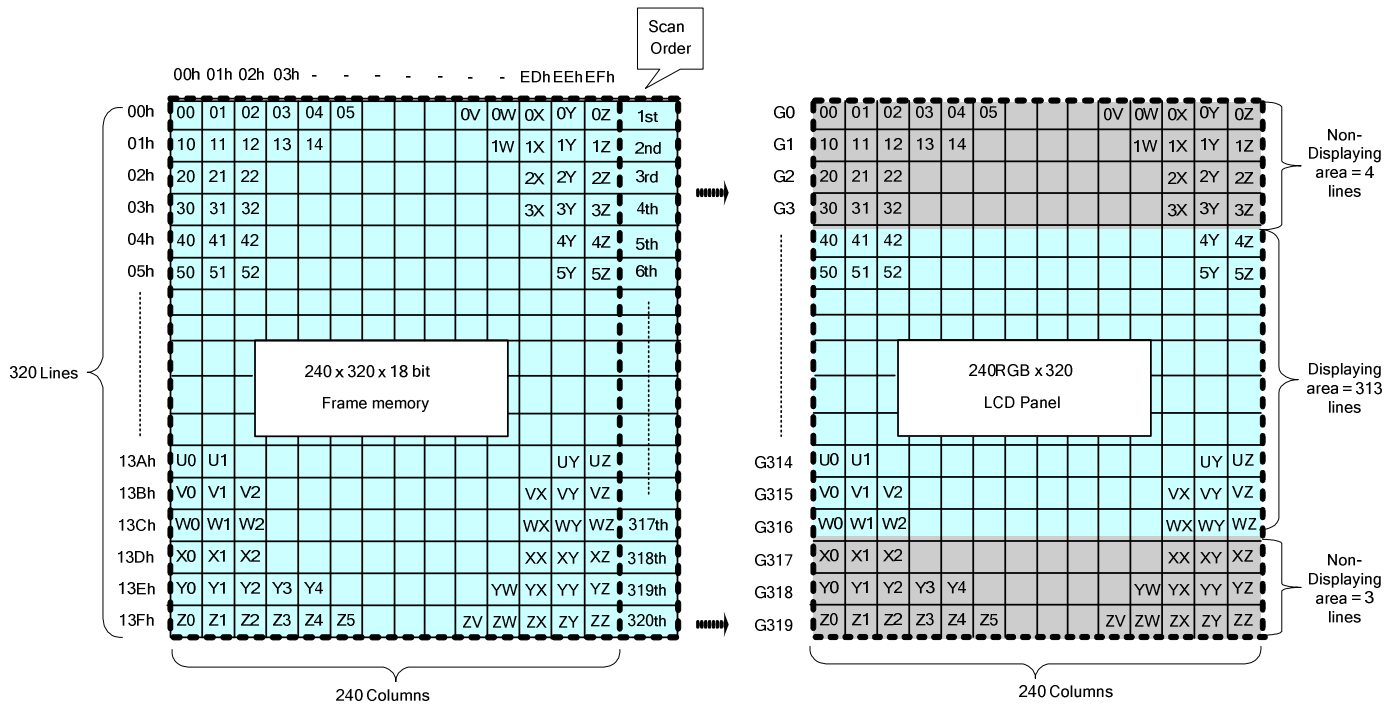
83h is displayed.

To display a dot on leftmost top corner, store the dot data at (column address, row address) = (0,0).

Example1) Normal Display On



Example2) Partial Display On: PSL[15:0] = 0004h, PEL[15:0] = 013Ch, MADCTR (ML)=0



8.14 Vertical Scroll Mode

8.14.1 Rolling scroll

There is just one types of vertical scrolling, which are determined by the commands “Vertical Scrolling Definition” (33h) and “Vertical Scrolling Start Address” (37h).

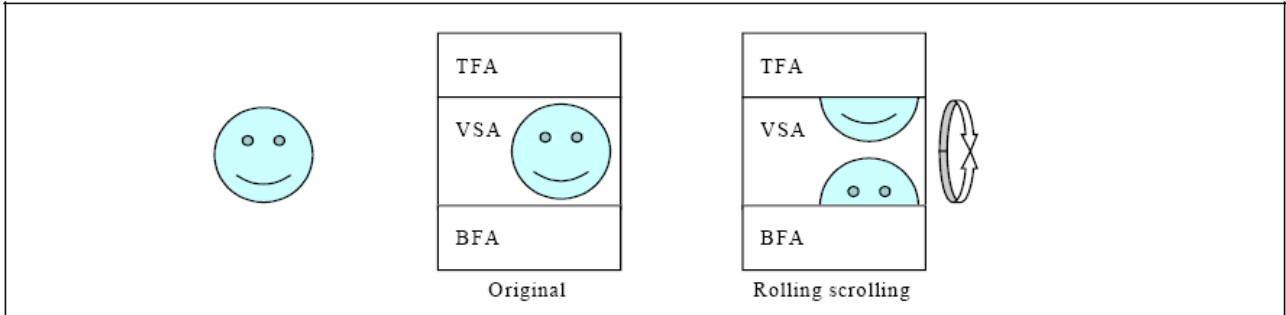
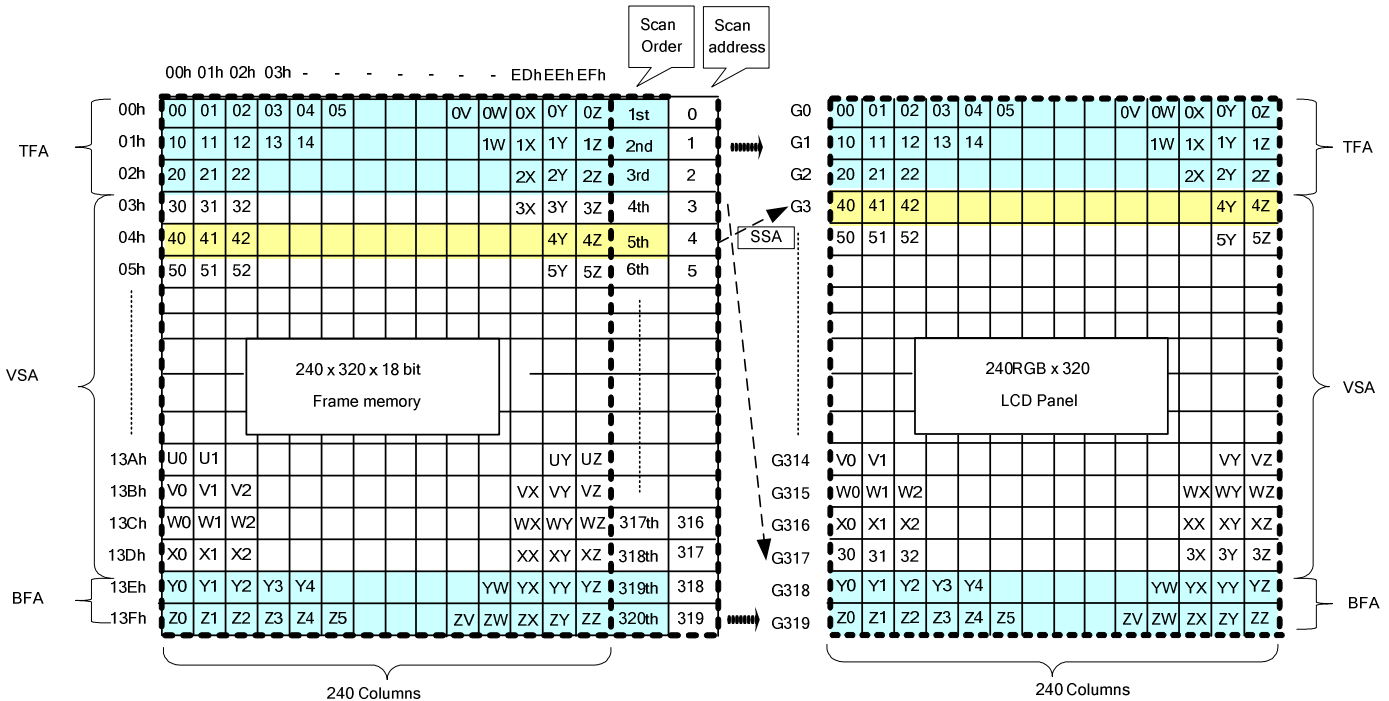


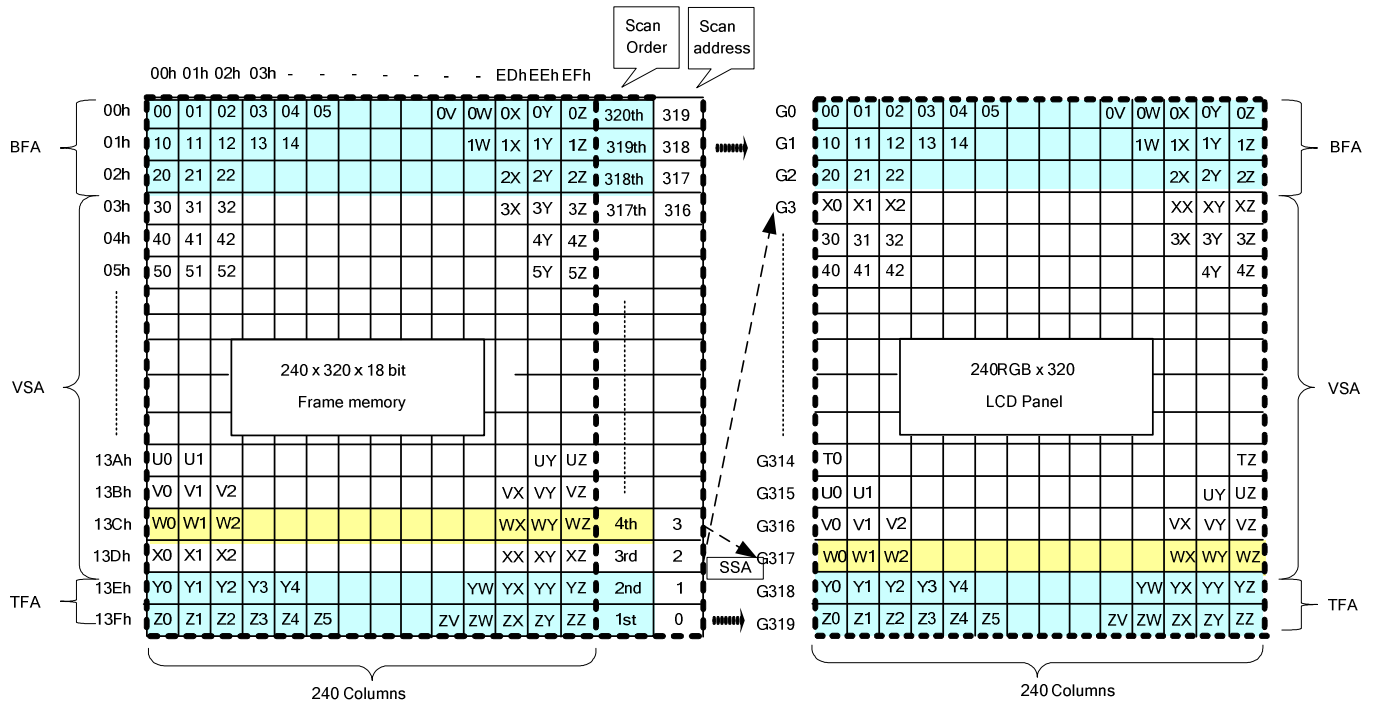
Figure 34 Rolling Scroll Definition

When Vertical Scrolling Definition Parameters (TFA+VSA+BFA) =320. In this case, ‘rolling’ scrolling is applied as shown below. All the memory contents will be used.

Example1) Panel size=240 x 320, TFA=3, VSA=315, BFA=2, SSA=4, MADCTR ML=0: Rolling Scroll



Example2) Panel size=132 x 132, TFA =2, VSA=315, BFA=3, SSA=4, MADCTR ML=1: Rolling Scroll
 (TFA and BFA are exchanged)



8.14.2 Vertical Scroll Example

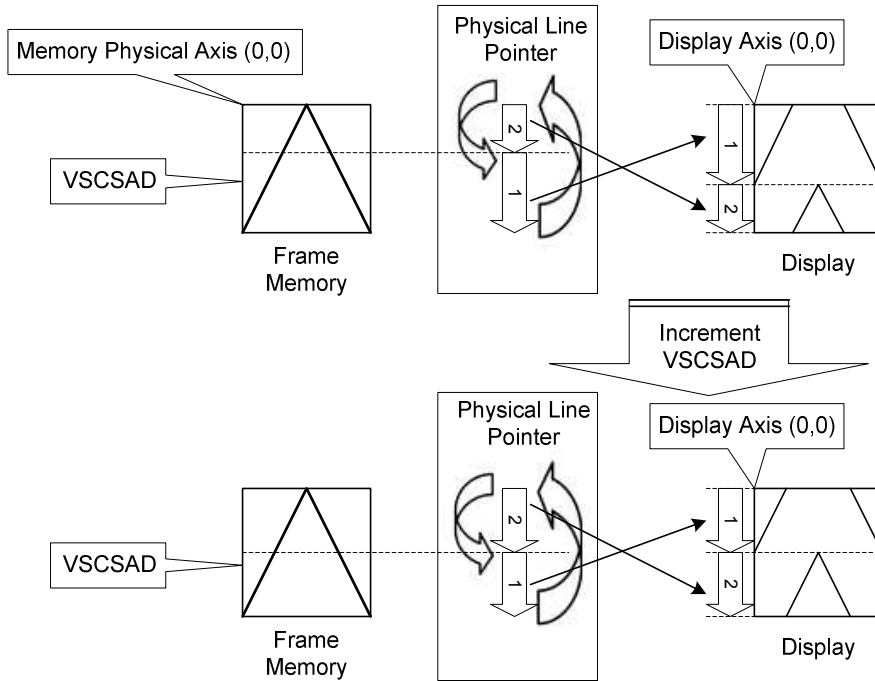
There are 2 types of vertical scrolling, which are determined by the commands “Vertical Scrolling Definition” (33h) and “Vertical Scrolling Start Address” (37h).

Case 1: $TFA + VSA + BFA < 320$

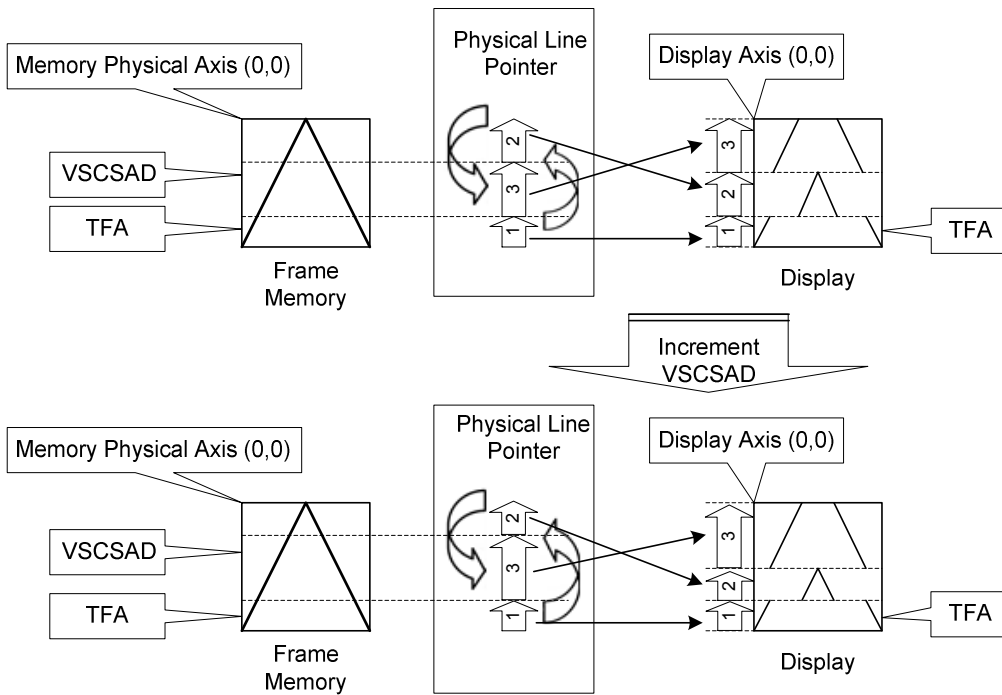
N/A. Do not set $TFA + VSA + BFA < 320$. In that case, unexpected picture will be shown.

Case 2: $TFA + VSA + BFA = 320$ (Rolling Scrolling)

Example1) When MADCTR parameter ML="0", $TFA=0$, $VSA=320$, $BFA=0$ and $VSCSAD=40$.



Example2) When MADCTR parameter ML="1", TFA=10, VSA=310, BFA=0 and VSCSAD=30.

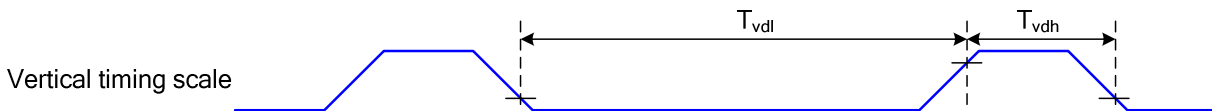


8.15 Tearing Effect

The Tearing Effect output line supplies to the MPU a Panel synchronization signal. This signal can be enabled or disabled by the Tearing Effect Line Off & On commands. The mode of the Tearing Effect signal is defined by the parameter of the Tearing Effect Line On command. The signal can be used by the MPU to synchronize Frame Memory Writing when displaying video images.

8.15.1 Tearing effect line modes

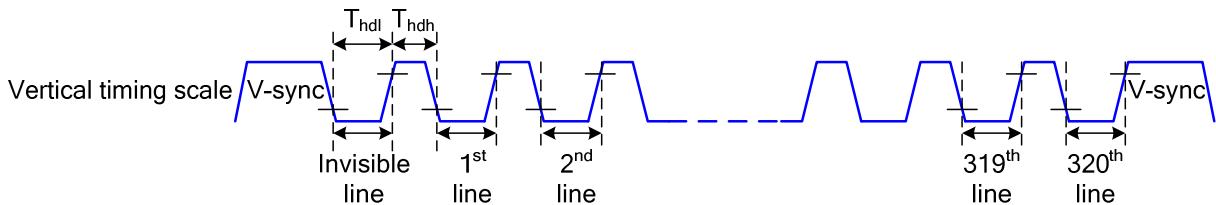
Mode 1, the Tearing Effect Output signal consists of V-Blanking Information only:



tvdh= The LCD display is not updated from the Frame Memory

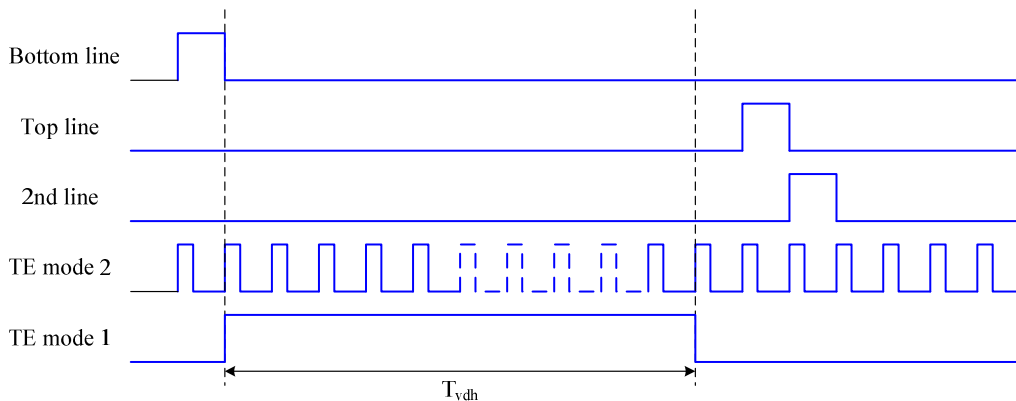
tvdl= The LCD display is updated from the Frame Memory (except Invisible Line – see above)

Mode 2, the Tearing Effect Output signal consists of V-Blanking and H-Blanking Information, there is one V-sync and 320 H-sync pulses per field.



thdh= The LCD display is not updated from the Frame Memory

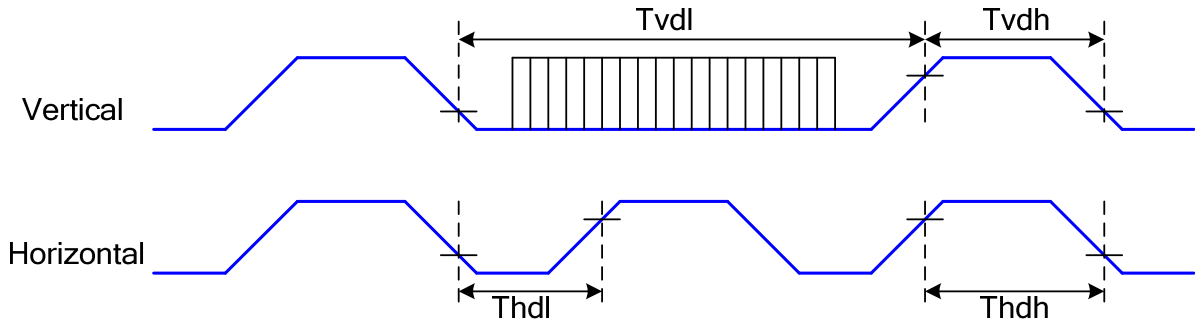
thdl= The LCD display is updated from the Frame Memory (except Invisible Line – see above)



Note: During Sleep In Mode, the Tearing Output Pin is active Low.

8.15.2 Tearign effect line timings

The Tearing Effect signal is described below:

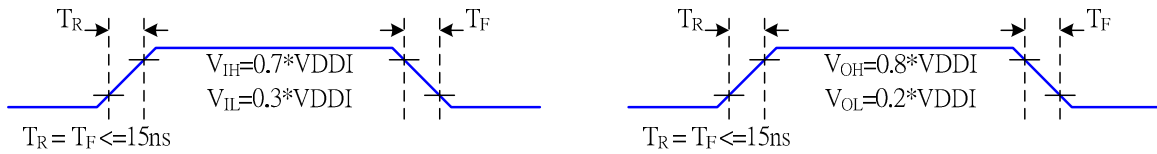


| Symbol | Parameter | min | max | unit | description |
|--------|---------------------------------|------|-----|------|-------------|
| tvdl | Vertical Timing Low Duration | 13 | - | ms | |
| tvdh | Vertical Timing High Duration | 1000 | - | μs | |
| thdl | Horizontal Timing Low Duration | 33 | - | μs | |
| thdh | Horizontal Timing High Duration | 25 | 500 | μs | |

Table 17 AC characteristics of Tearing Effect Signal Idle Mode Off (Frame Rate = 60 Hz, Ta=25°C)

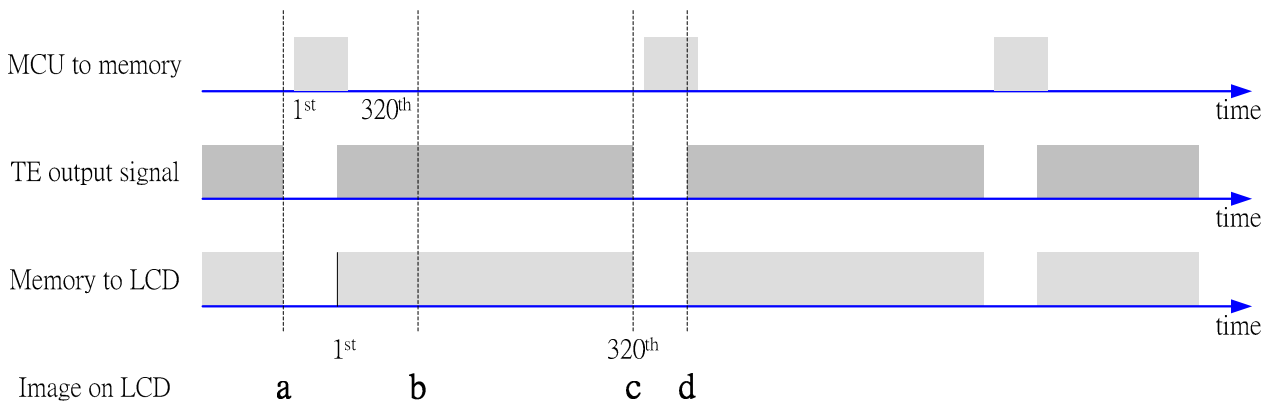
Note: The timings in Table 15 apply when MADCTL ML=0 and ML=1

The signal's rise and fall times (tf, tr) are stipulated to be equal to or less than 15ns.

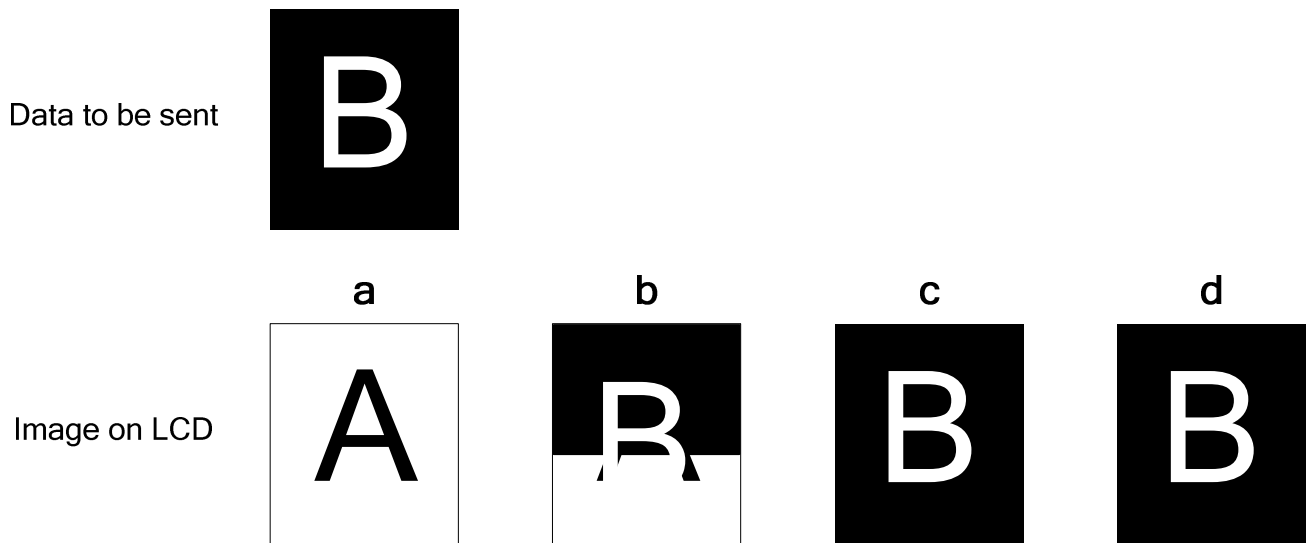


The Tearing Effect Output Line is fed back to the MPU and should be used as shown below to avoid Tearing Effect:

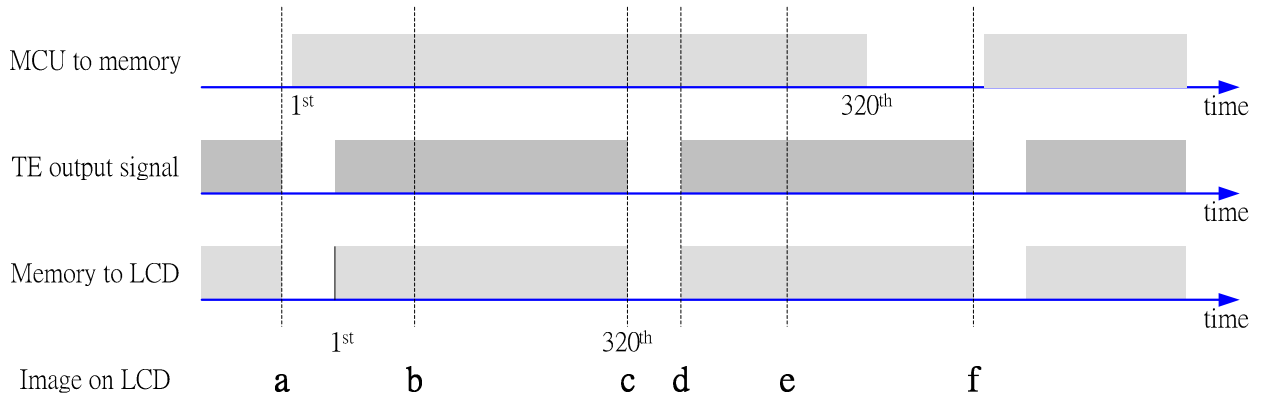
8.15.3 Example 1: MPU Write is faster than panel read



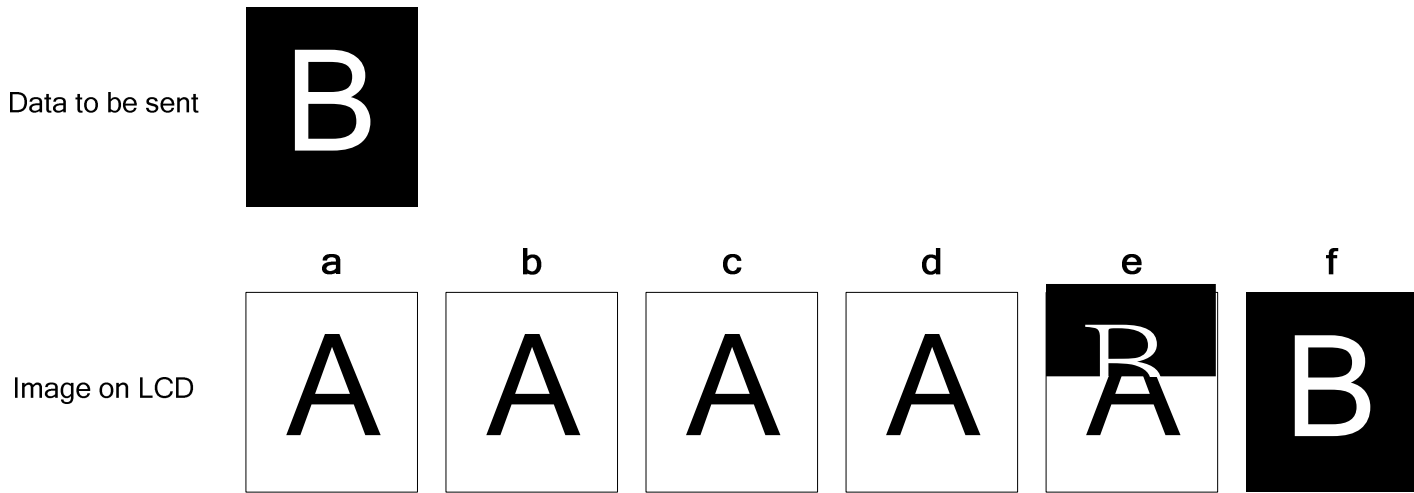
Data write to Frame Memory is now synchronized to the Panel Scan. It should be written during the vertical sync pulse of the Tearing Effect Output Line. This ensures that data is always written ahead of the panel scan and each Panel Frame refresh has a complete new image:



8.15.4 Example 2: MPU write is slower than panel read



The MPU to Frame Memory write begins just after Panel Read has commenced i.e. after one horizontal sync pulse of the Tearing Effect Output Line. This allows time for the image to download behind the Panel Read pointer and finishing download during the subsequent Frame before the Read Pointer “catches” the MPU to Frame memory write position.



8.16 Power ON/OFF Sequence

VDDI and VDD can be applied in any order.

VDD and VDDI can be power down in any order.

During power off, if LCD is in the Sleep Out mode, VDD and VDDI must be powered down minimum 120msec after RESX has been released.

During power off, if LCD is in the Sleep In mode, VDDI or VDD can be powered down minimum 0msec after RESX has been released.

CSX can be applied at any timing or can be permanently grounded. RESX has priority over CSX.

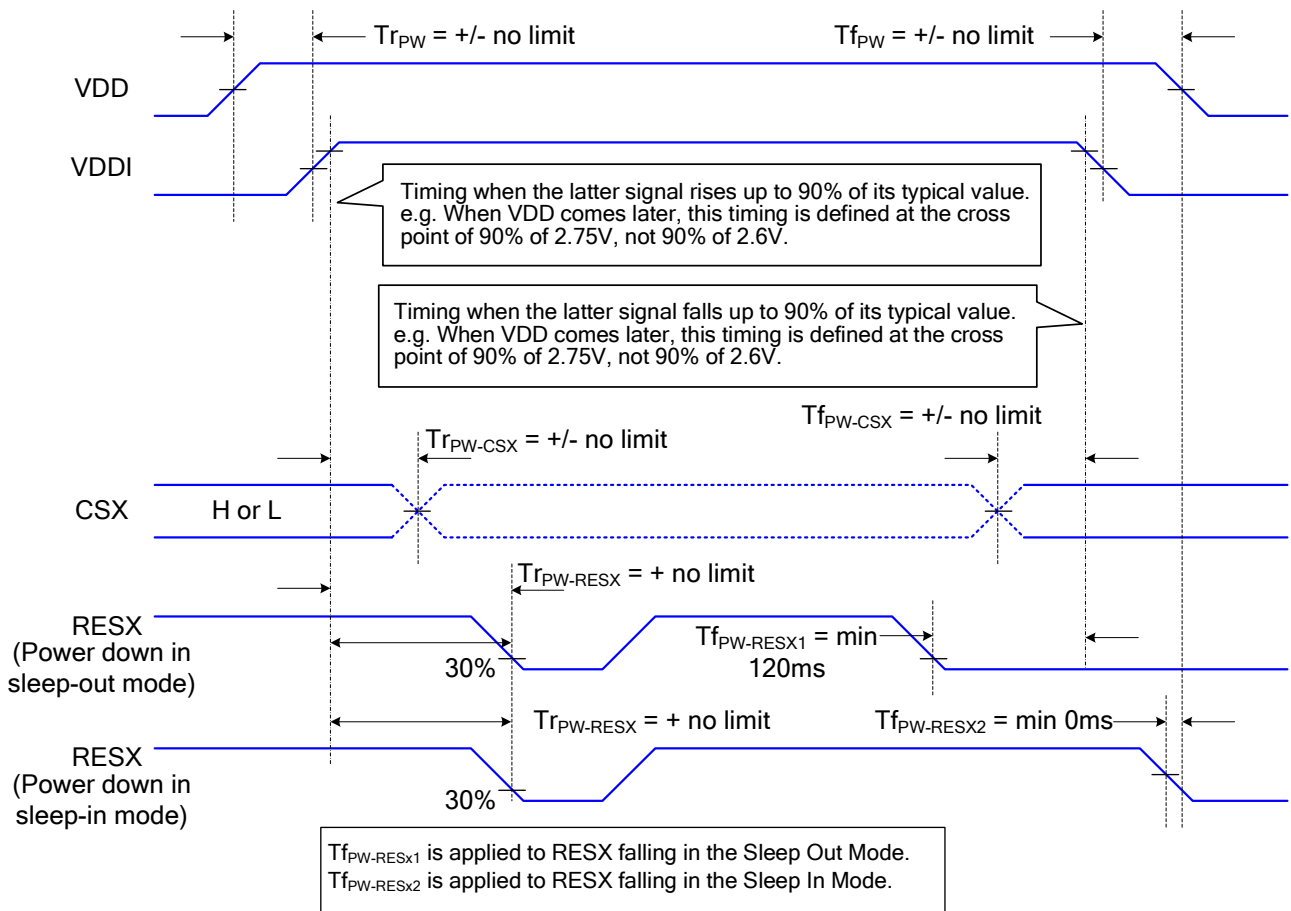
Note 1: There will be no damage to the display module if the power sequences are not met.

Note 2: There will be no abnormal visible effects on the display panel during the Power On/Off Sequences.

Note 3: There will be no abnormal visible effects on the display between end of Power On Sequence and before receiving Sleep Out command. Also between receiving Sleep In command and Power Off Sequence.

Note 4: If RESX line is not held stable by host during Power On Sequence as defined in the sequence below, then it will be necessary to apply a Hardware Reset (RESX) after Host Power On Sequence is complete to ensure correct operation. Otherwise function is not guaranteed.

The power on/off sequence is illustrated below



8.16.1 Uncontrolled Power Off

The uncontrolled power-off means a situation which removed a battery without the controlled power off sequence. It will neither damage the module or the host interface.

If uncontrolled power-off happened, the display will go blank and there will not any visible effect on the display (blank display) and remains blank until "Power On Sequence" powers it up.

8.17 Power Level Definition

8.17.1 Power Level

6 level modes are defined they are in order of Maximum Power consumption to Minimum Power Consumption

1. Normal Mode On (full display), Idle Mode Off, Sleep Out.

In this mode, the display is able to show maximum 262,144 colors.

2. Partial Mode On, Idle Mode Off, Sleep Out.

In this mode part of the display is used with maximum 262,144 colors.

3. Normal Mode On (full display), Idle Mode On, Sleep Out.

In this mode, the full display area is used but with 8 colors.

4. Partial Mode On, Idle Mode On, Sleep Out.

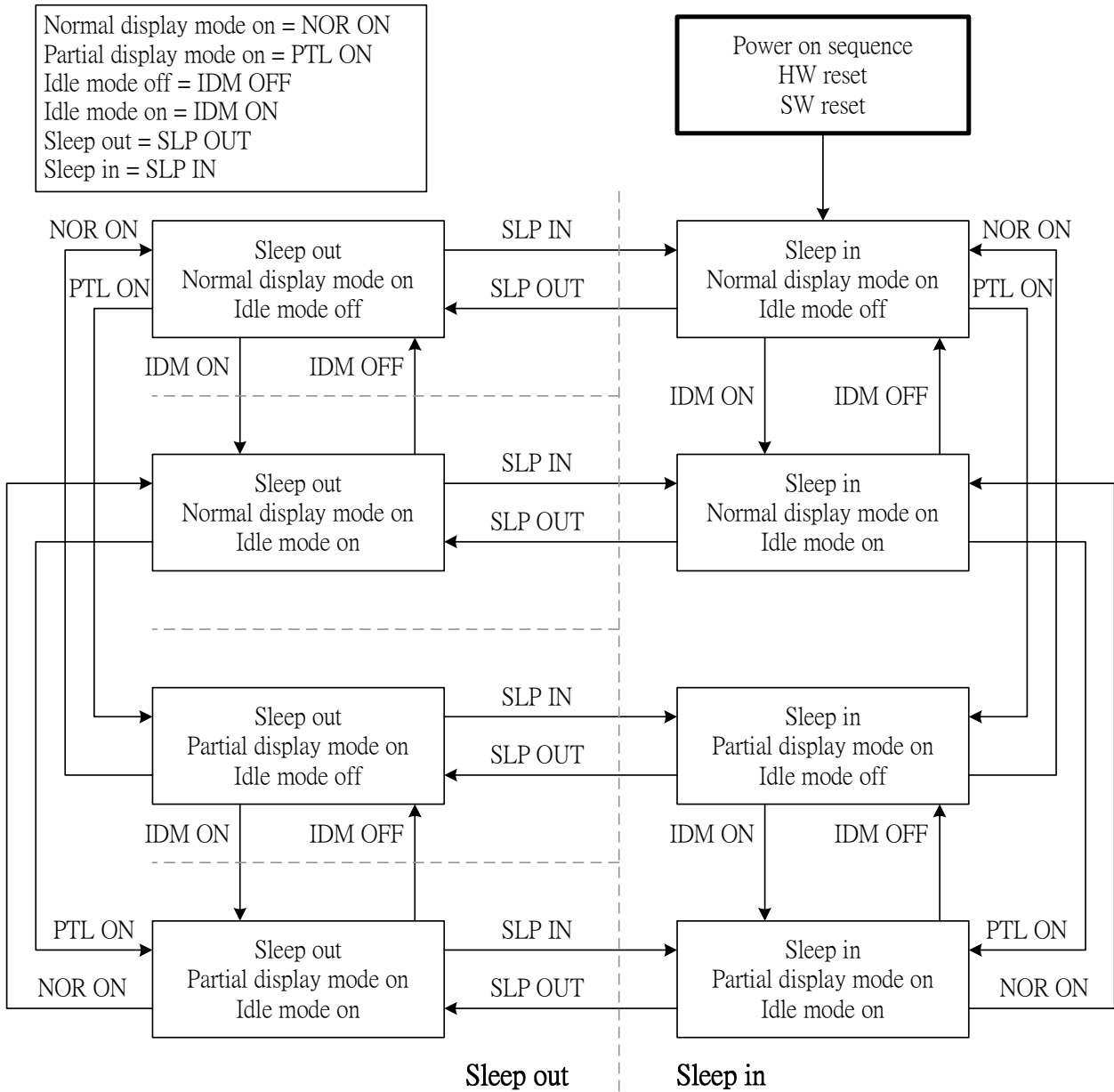
In this mode, part of the display is used but with 8 colors.

5. Sleep In Mode

In this mode, the DC: DC converter, internal oscillator and panel driver circuit are stopped. Only the MCU interface and memory works with VDDI power supply. Contents of the memory are safe.

Note: Transition between modes 1-5 is controllable by MCU commands. Mode 6 is entered only when both Power supplies are removed.

8.18 Power Flow Chart



8.19 Gamma Correction

ST7789V2 incorporate the gamma correction function to display 262,244 colors for the LCD panel. The gamma correction is performed with 3 groups of registers, which are gradient adjustment, contrast adjustment and fine- adjustment registers for positive and negative polarities, and RGB can be adjusted individually.

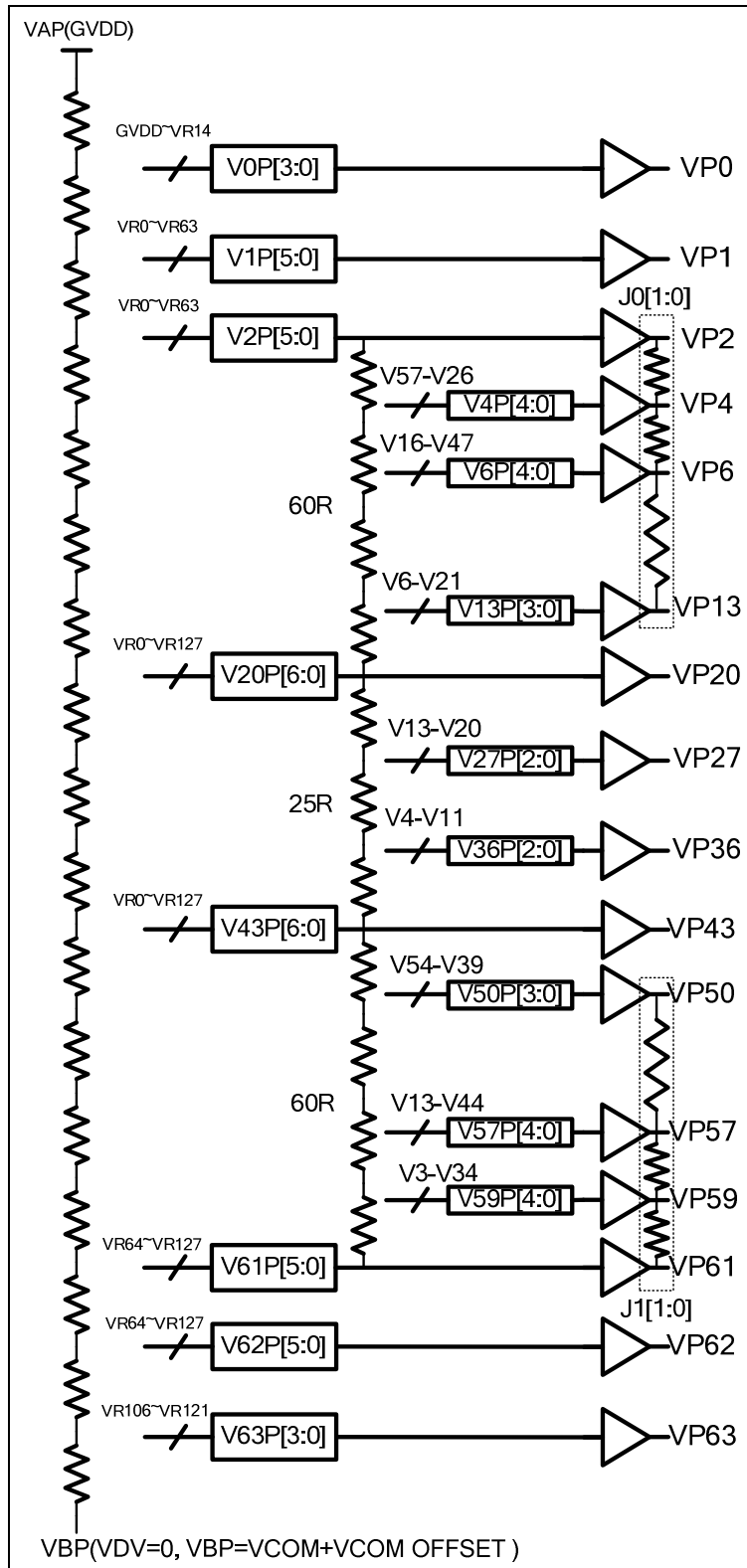


Figure 35 Gray scale Voltage Generation (Positive)

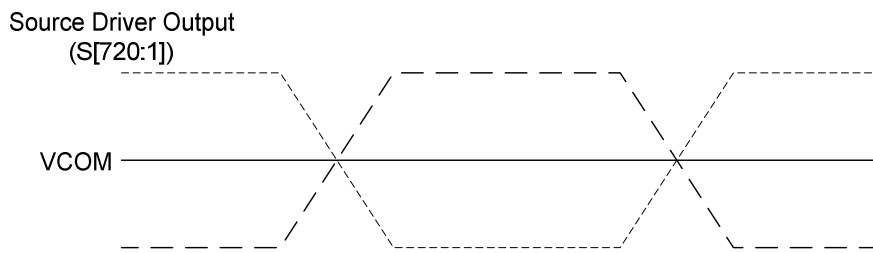


Figure 36 Relationship between Source Output and VCOM

Percentage adjustment:

J0P[1:0], J1P[1:0], J0N[1:0], J1N[1:0] these register are used to adjust the voltage level of interpolation point. The following table is the detail description.

J0P[1:0]/J0N[1:0]:

| | 00h | 01h | 02h | 03h |
|-----------|-----|-----|-----|-----|
| VP3/VN3 | 50% | 56% | 50% | 60% |
| VP5/VN5 | 50% | 44% | 50% | 42% |
| VP7/VN7 | 86% | 71% | 80% | 66% |
| VP8/VN8 | 71% | 57% | 63% | 49% |
| VP9/VN9 | 57% | 40% | 49% | 34% |
| VP10/VN10 | 43% | 29% | 34% | 23% |
| VP11/VN11 | 29% | 17% | 20% | 14% |
| VP12/VN12 | 14% | 6% | 9% | 6% |

J1P[1:0]/J1N[1:0]:

| | 00h | 01h | 02h | 03h |
|-----------|-----|-----|-----|-----|
| VP51/VN51 | 86% | 86% | 86% | 89% |
| VP52/VN52 | 71% | 71% | 77% | 80% |
| VP53/VN53 | 57% | 60% | 63% | 69% |
| VP54/VN54 | 43% | 46% | 46% | 51% |
| VP55/VN55 | 29% | 34% | 31% | 37% |
| VP56/VN56 | 14% | 17% | 14% | 20% |
| VP58/VN58 | 50% | 56% | 47% | 47% |
| VP60/VN60 | 50% | 50% | 50% | 53% |

Table 18 voltage level percentage adjustment description

Source voltage of positive gamma level

| Gamma level | Related Register | Formula |
|-------------|------------------|--|
| VP0 | V0P[3:0] | $(VAP-VBP) \cdot (129R-V0P[3:0]R) / 129R + VBP$ |
| VP1 | V1P[5:0] | $(VAP-VBP) \cdot (128R-V1P[5:0]R) / 129R + VBP$ |
| VP2 | V2P[5:0] | $(VAP-VBP) \cdot (128R-V2P[5:0]R) / 129R + VBP$ |
| VP3 | J0P[1:0] | $(VP2-VP4) \cdot J0P[1:0] + VP4$ |
| VP4 | V4P[4:0] | $(VP2-VP20) \cdot (57R-V4P[4:0]) / 60R + VP20$ |
| VP5 | J0P[1:0] | $(VP4-VP6) \cdot J0P[1:0] + VP6$ |
| VP6 | V6P[4:0] | $(VP2-VP20) \cdot (47R-V6P[4:0]) / 60R + VP20$ |
| VP7 | J0P[1:0] | $(VP6-VP13) \cdot J0P[1:0] + VP13$ |
| VP8 | J0P[1:0] | $(VP6-VP13) \cdot J0P[1:0] + VP13$ |
| VP9 | J0P[1:0] | $(VP6-VP13) \cdot J0P[1:0] + VP13$ |
| VP10 | J0P[1:0] | $(VP6-VP13) \cdot J0P[1:0] + VP13$ |
| VP11 | J0P[1:0] | $(VP6-VP13) \cdot J0P[1:0] + VP13$ |
| VP12 | J0P[1:0] | $(VP6-VP13) \cdot J0P[1:0] + VP13$ |
| VP13 | V13P[3:0] | $(VP2-VP20) \cdot (21R-V13P[3:0]) / 60R + VP20$ |
| VP14 | -- | $(VP13-VP20) / (20-13) \cdot (20-14) + VP20$ |
| VP15 | -- | $(VP13-VP20) / (20-13) \cdot (20-15) + VP20$ |
| VP16 | -- | $(VP13-VP20) / (20-13) \cdot (20-16) + VP20$ |
| VP17 | -- | $(VP13-VP20) / (20-13) \cdot (20-17) + VP20$ |
| VP18 | -- | $(VP13-VP20) / (20-13) \cdot (20-18) + VP20$ |
| VP19 | -- | $(VP13-VP20) / (20-13) \cdot (20-19) + VP20$ |
| VP20 | V20P[6:0] | $(VAP-VBP) \cdot (128R-V20P[6:0]R) / 129R + VBP$ |
| VP21 | -- | $(VP20-VP27) / (27-20) \cdot (27-21) + VP27$ |
| VP22 | -- | $(VP20-VP27) / (27-20) \cdot (27-22) + VP27$ |
| VP23 | -- | $(VP20-VP27) / (27-20) \cdot (27-23) + VP27$ |
| VP24 | -- | $(VP20-VP27) / (27-20) \cdot (27-24) + VP27$ |
| VP25 | -- | $(VP20-VP27) / (27-20) \cdot (27-25) + VP27$ |
| VP26 | -- | $(VP20-VP27) / (27-20) \cdot (27-26) + VP27$ |
| VP27 | V27P[2:0] | $(VP20-VP43) \cdot (20R-V27P[2:0]) / 25R + VP43$ |
| VP28 | -- | $(VP27-VP36) / (36-27) \cdot (36-28) + VP36$ |
| VP29 | -- | $(VP27-VP36) / (36-27) \cdot (36-29) + VP36$ |
| VP30 | -- | $(VP27-VP36) / (36-27) \cdot (36-30) + VP36$ |
| VP31 | -- | $(VP27-VP36) / (36-27) \cdot (36-31) + VP36$ |
| VP32 | -- | $(VP27-VP36) / (36-27) \cdot (36-32) + VP36$ |
| VP33 | -- | $(VP27-VP36) / (36-27) \cdot (36-33) + VP36$ |
| VP34 | -- | $(VP27-VP36) / (36-27) \cdot (36-34) + VP36$ |
| VP35 | -- | $(VP27-VP36) / (36-27) \cdot (36-35) + VP36$ |
| VP36 | V36P[2:0] | $(VP20-VP43) \cdot (11R-V36P[2:0]) / 25R + VP43$ |
| VP37 | -- | $(VP36-VP43) / (43-36) \cdot (43-37) + VP43$ |
| VP38 | -- | $(VP36-VP43) / (43-36) \cdot (43-38) + VP43$ |
| VP39 | -- | $(VP36-VP43) / (43-36) \cdot (43-39) + VP43$ |
| VP40 | -- | $(VP36-VP43) / (43-36) \cdot (43-40) + VP43$ |
| VP41 | -- | $(VP36-VP43) / (43-36) \cdot (43-41) + VP43$ |
| VP42 | -- | $(VP36-VP43) / (43-36) \cdot (43-42) + VP43$ |
| VP43 | V43P[6:0] | $(VAP-VBP) \cdot (128R-V43P[6:0]R) / 129R + VBP$ |
| VP44 | -- | $(VP43-VP50) / (50-43) \cdot (50-44) + VP50$ |
| VP45 | -- | $(VP43-VP50) / (50-43) \cdot (50-45) + VP50$ |
| VP46 | -- | $(VP43-VP50) / (50-43) \cdot (50-46) + VP50$ |
| VP47 | -- | $(VP43-VP50) / (50-43) \cdot (50-47) + VP50$ |
| VP48 | -- | $(VP43-VP50) / (50-43) \cdot (50-48) + VP50$ |
| VP49 | -- | $(VP43-VP50) / (50-43) \cdot (50-49) + VP50$ |
| VP50 | V50P[3:0] | $(VP43-VP61) \cdot (54R-V50P[3:0]) / 60R + VP61$ |
| VP51 | J1P[1:0] | $(V5P0-VP57) \cdot J1P[1:0] + VP57$ |

| | | |
|------|-----------|--------------------------------------|
| VP52 | J1P[1:0] | (VP50-VP57)*J1P[1:0]+VP57 |
| VP53 | J1P[1:0] | (VP50-VP57)*J1P[1:0]+VP57 |
| VP54 | J1P[1:0] | (VP50-VP57)*J1P[1:0]+VP57 |
| VP55 | J1P[1:0] | (VP50-VP57)*J1P[1:0]+VP57 |
| VP56 | J1P[1:0] | (VP50-VP57)*J1P[1:0]+VP57 |
| VP57 | V57P[4:0] | (VP43-VP61)*(44R-V57P[4:0])/60R+VP61 |
| VP58 | J1P[1:0] | (VP57-VP59)*J1P[1:0]+VP59 |
| VP59 | V59P[4:0] | (VP43-VP61)*(34R-V59P[4:0])/60R+VP61 |
| VP60 | J1P[1:0] | (VP59-VP61)*J1P[1:0]+VP61 |
| VP61 | V61P[5:0] | (VAP-VBP)*(64R-V61P[5:0R])/129R+VBP |
| VP62 | V62P[5:0] | (VAP-VBP)*(64R-V62P[5:0R])/129R+VBP |
| VP63 | V63P[3:0] | (VAP-VBP)*(23R-V63P[3:0R])/129R+VBP |

Source voltage of negative gamma level

| Gamma level | Related Register | Formula |
|-------------|------------------|--|
| VN0 | V0N[3:0] | $VBN-(VBN-VAN)*(129R-V0N[3:0R])/129R$ |
| VN1 | V1N[5:0] | $VBN-(VBN-VAN)*(128R-V1N[5:0R])/129R$ |
| VN2 | V2N[5:0] | $VBN-(VBN-VAN)*(128R-V2N[5:0R])/129R$ |
| VN3 | J0N[1:0] | $(VN2-VN4)*J0N[1:0]+VN4$ |
| VN4 | V4N[4:0] | $(VN2-VN20)*(57R-V4N[4:0])/60R+VN20$ |
| VN5 | J0N[1:0] | $(VN4-VN6)*J0N[1:0]+VN6$ |
| VN6 | V6N[4:0] | $(VN2-VN20)*(47R-V6N[4:0])/60R+VN20$ |
| VN7 | J0N[1:0] | $(VN6-VN13)*J0N[1:0]+VN13$ |
| VN8 | J0N[1:0] | $(VN6-VN13)*J0N[1:0]+VN13$ |
| VN9 | J0N[1:0] | $(VN6-VN13)*J0N[1:0]+VN13$ |
| VN10 | J0N[1:0] | $(VN6-VN13)*J0N[1:0]+VN13$ |
| VN11 | J0N[1:0] | $(VN6-VN13)*J0N[1:0]+VN13$ |
| VN12 | J0N[1:0] | $(VN6-VN13)*J0N[1:0]+VN13$ |
| VN13 | V13N[3:0] | $(VN2-VN20)*(21R-V13N[3:0])/60R+VN20$ |
| VN14 | -- | $(VN13-VN20)/(20-13)*(20-14)+VN20$ |
| VN15 | -- | $(VN13-VN20)/(20-13)*(20-15)+VN20$ |
| VN16 | -- | $(VN13-VN20)/(20-13)*(20-16)+VN20$ |
| VN17 | -- | $(VN13-VN20)/(20-13)*(20-17)+VN20$ |
| VN18 | -- | $(VN13-VN20)/(20-13)*(20-18)+VN20$ |
| VN19 | -- | $(VN13-VN20)/(20-13)*(20-19)+VN20$ |
| VN20 | V20N[6:0] | $VBN-(VBN-VAN)*(128R-V20N[6:0R])/129R$ |
| VN21 | -- | $(VN20-VN27)/(27-20)*(27-21)+VN27$ |
| VN22 | -- | $(VN20-VN27)/(27-20)*(27-22)+VN27$ |
| VN23 | -- | $(VN20-VN27)/(27-20)*(27-23)+VN27$ |
| VN24 | -- | $(VN20-VN27)/(27-20)*(27-24)+VN27$ |
| VN25 | -- | $(VN20-VN27)/(27-20)*(27-25)+VN27$ |
| VN26 | -- | $(VN20-VN27)/(27-20)*(27-26)+VN27$ |
| VN27 | V27N[2:0] | $(VN20-VN43)*(20R-V27N[2:0])/25R+VN43$ |
| VN28 | -- | $(VN27-VN36)/(36-27)*(36-28)+VN36$ |
| VN29 | -- | $(VN27-VN36)/(36-27)*(36-29)+VN36$ |
| VN30 | -- | $(VN27-VN36)/(36-27)*(36-30)+VN36$ |
| VN31 | -- | $(VN27-VN36)/(36-27)*(36-31)+VN36$ |
| VN32 | -- | $(VN27-VN36)/(36-27)*(36-32)+VN36$ |
| VN33 | -- | $(VN27-VN36)/(36-27)*(36-33)+VN36$ |
| VN34 | -- | $(VN27-VN36)/(36-27)*(36-34)+VN36$ |
| VN35 | -- | $(VN27-VN36)/(36-27)*(36-35)+VN36$ |
| VN36 | V36N[2:0] | $(VN20-VN43)*(11R-V36N[2:0])/25R+VN43$ |
| VN37 | -- | $(VN36-VN43)/(43-36)*(43-37)+VN43$ |

| | | |
|------|-----------|--------------------------------------|
| VN38 | -- | (VN36-VN43)/(43-36)*(43-38)+VN43 |
| VN39 | -- | (VN36-VN43)/(43-36)*(43-39)+VN43 |
| VN40 | -- | (VN36-VN43)/(43-36)*(43-40)+VN43 |
| VN41 | -- | (VN36-VN43)/(43-36)*(43-41)+VN43 |
| VN42 | -- | (VN36-VN43)/(43-36)*(43-42)+VN43 |
| VN43 | V43N[6:0] | VBN-(VBN-VAN)*(128R-V43N[6:0]R)/129R |
| VN44 | -- | (VN43-VN50)/(50-43)*(50-44)+VN50 |
| VN45 | -- | (VN43-VN50)/(50-43)*(50-45)+VN50 |
| VN46 | -- | (VN43-VN50)/(50-43)*(50-46)+VN50 |
| VN47 | -- | (VN43-VN50)/(50-43)*(50-47)+VN50 |
| VN48 | -- | (VN43-VN50)/(50-43)*(50-48)+VN50 |
| VN49 | -- | (VN43-VN50)/(50-43)*(50-49)+VN50 |
| VN50 | V50N[3:0] | (VN43-VN61)*(54R-V50N[3:0])/60R+VN61 |
| VN51 | J1N[1:0] | (V5N0-VN57)*J1N[1:0]+VN57 |
| VN52 | J1N[1:0] | (VN50-VN57)*J1N[1:0]+VN57 |
| VN53 | J1N[1:0] | (VN50-VN57)*J1N[1:0]+VN57 |
| VN54 | J1N[1:0] | (VN50-VN57)*J1N[1:0]+VN57 |
| VN55 | J1N[1:0] | (VN50-VN57)*J1N[1:0]+VN57 |
| VN56 | J1N[1:0] | (VN50-VN57)*J1N[1:0]+VN57 |
| VN57 | V57N[4:0] | (VN43-VN61)*(44R-V57N[4:0])/60R+VN61 |
| VN58 | J1N[1:0] | (VN57-VN59)*J1N[1:0]+VN59 |
| VN59 | V59N[4:0] | (VN43-VN61)*(34R-V59N[4:0])/60R+VN61 |
| VN60 | J1N[1:0] | (VN59-VN61)*J1N[1:0]+VN61 |
| VN61 | V61N[5:0] | VBN-(VBN-VAN)*(64R-V61N[5:0]R)/129R |
| VN62 | V62N[5:0] | VBN-(VBN-VAN)*(64R-V62N[5:0]R)/129R |
| VN63 | V63N[3:0] | VBN-(VBN-VAN)*(23R-V63N[3:0]R)/129R |

8.20 Gray voltage generator for digital gamma correction

ST7789V2 digital gamma function can implement the RGB gamma correction independently. ST7789V2 utilizes look-up table of digital gamma to change ram data, and then display the changed data from source driver. The following diagram shows the data flow of digital gamma.

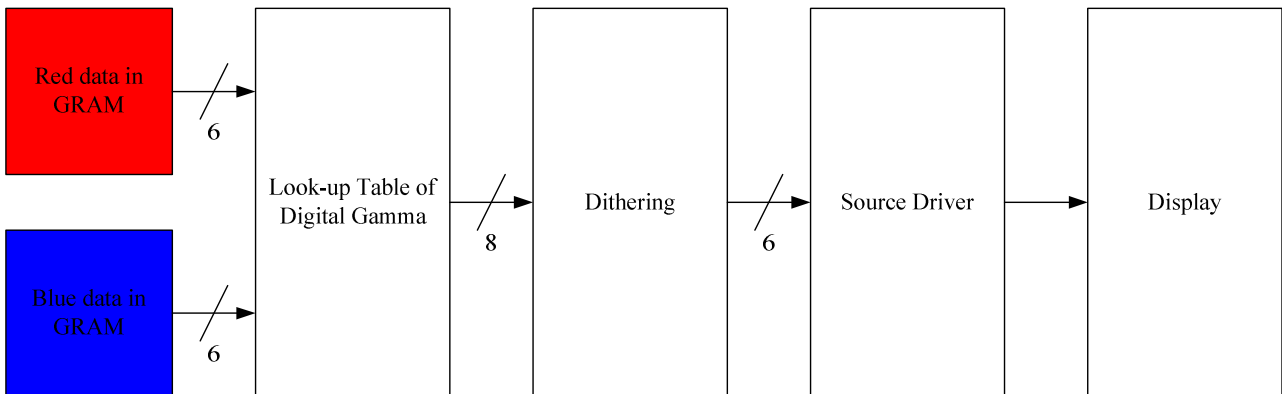


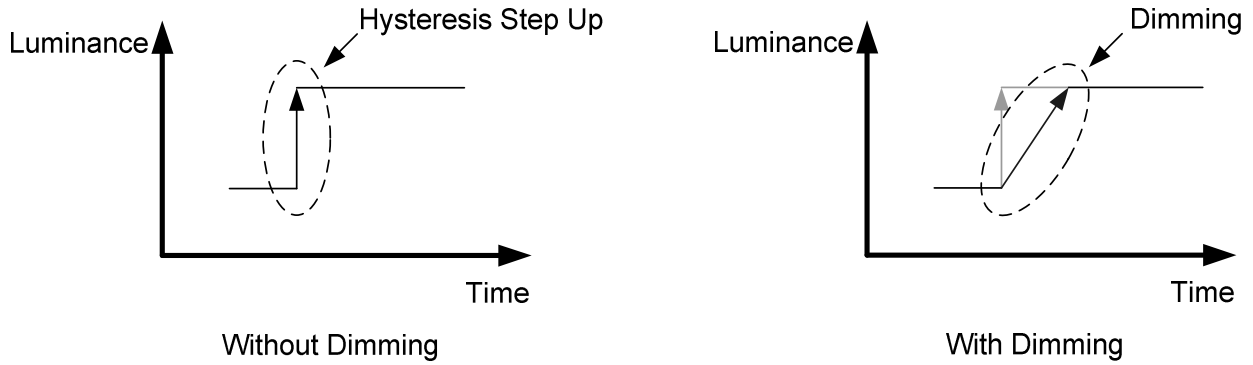
Figure 37 Block diagram of digital gamma

There are 2 registers and each register has 64 bytes to set R, G, B gamma independently. When bit DGMEN be set to 1, R and B gamma will be mapped via look-up table of digital gamma to gray level voltage.

8.21 Display Dimming

8.21.1 General Description

A dimming function (how fast to change the brightness from old to new level and what are brightness levels during the change) is used when changing from one brightness level to another. This dimming function curve is the same in increment and decrement. The basic idea is described below.



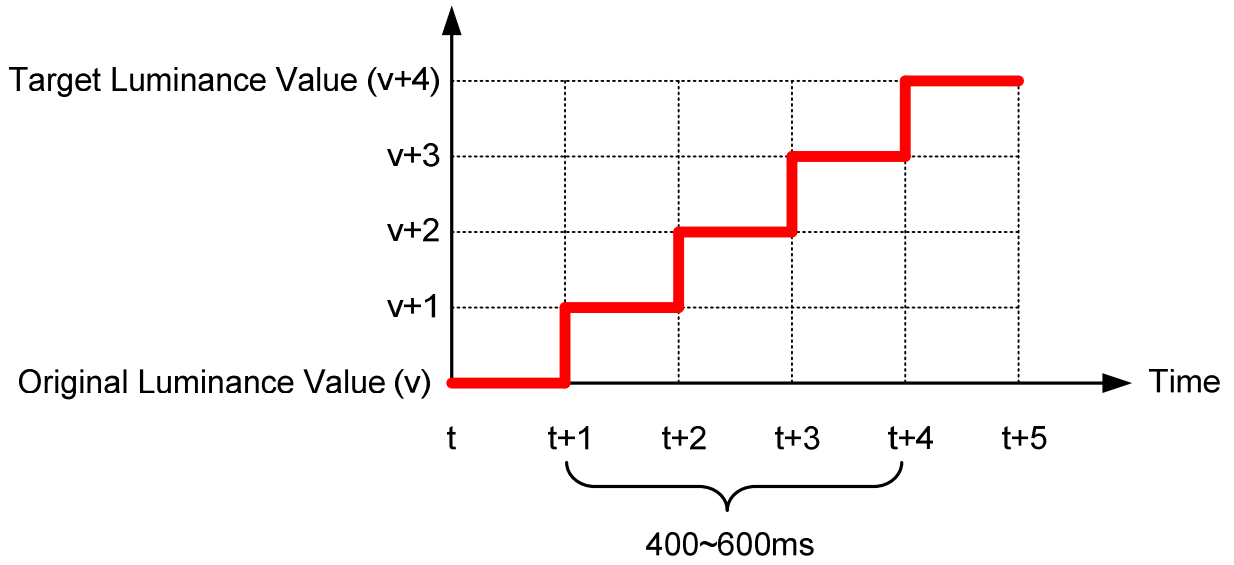
Dimming function can be enable and disable. See “Write CTRL Display (53h)” (bit DD) for more information.

8.21.2 Dimming Requirement

Dimming function in the display module should be implemented so that 400-600ms is used for the transition between the original brightness value and the target brightness value. The transferring time steps between these two brightness values are equal making the transition linear.

The dimming function is working similarly in both upward and downward directions.

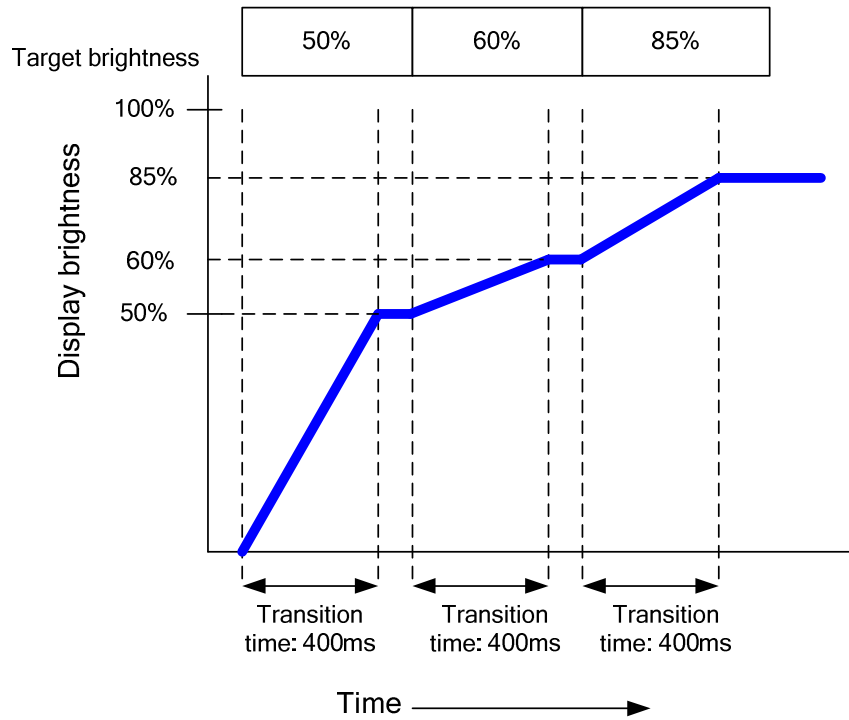
An upward example is illustrate below



8.21.3 Definition of brightness transition time

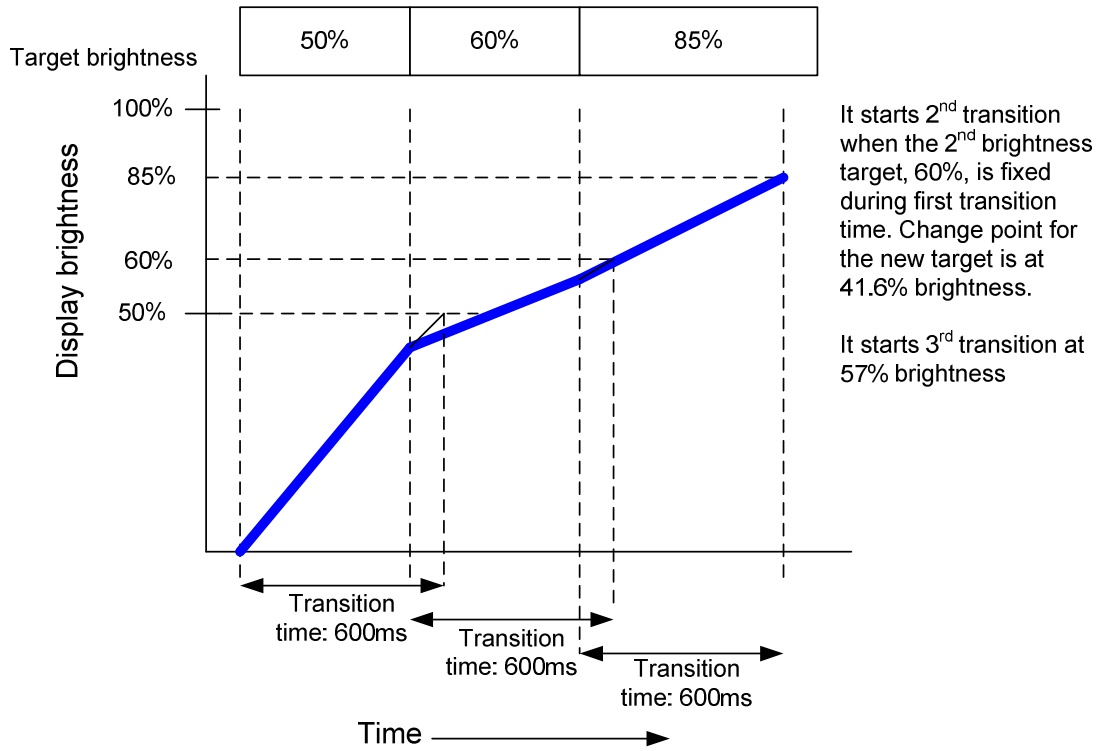
- Shorter transition time than 500ms.

There is some stable time between transitions. Below drawing is for transition time: 400ms.



- Longer transition time than 500ms

There is no any stable time between transitions. Below drawing is for transition time: 600ms.



8.22 Content Adaptive Brightness Control (CABC)

8.22.1 Definition of CABC

A Content Adaptive Brightness Control function can be used to reduce the power consumption of the luminance source. Content adaptation means that content gray level scale can be increased while simultaneously lowering brightness of the backlight to achieve same perceived brightness. The adjusted gray level scale and thus the power consumption reduction

Definition of Modes and target power reduction ratio:

- Off mode: Content Adaptive Brightness Control functionality is totally off.
- UI [User interface] image mode: Optimized for UI image. It is kept image quality as much as possible. Target power consumption reduction ratio: 10% or less.
- Still picture mode: Optimized for still picture. Some image quality degradation would be acceptable. Target power consumption reduction ratio: more than 30%.
- Moving image mode: Optimized for moving image. It is focused on the biggest power reduction with image quality degradation. Target power consumption reduction ratio: more than 30%.

Note 1: Updating partial area of the image data should be supported by CABC functionality.

Note 2: Processing power consumption of CABC should be minimized.

Note 3: Customer need program OTP GAMMA when using CABC.

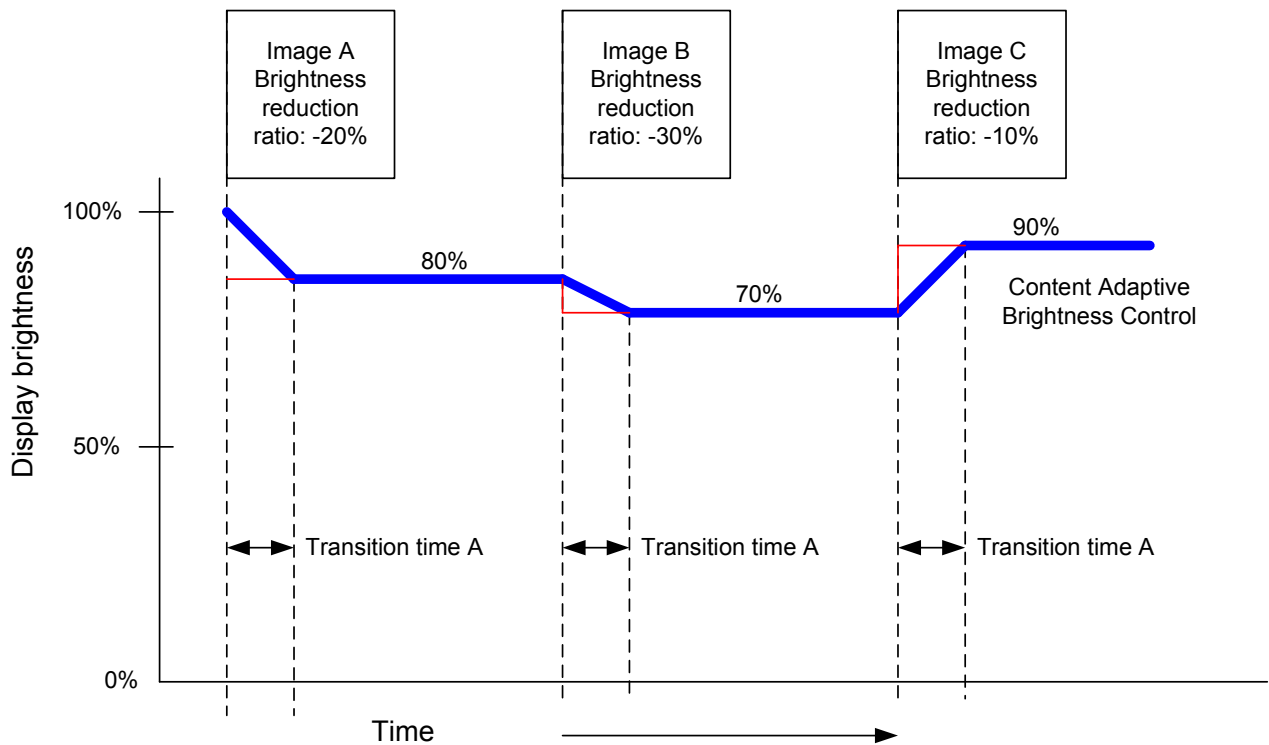
The transition time for dimming function is illustrated below.

- Content Adaptive Brightness Control

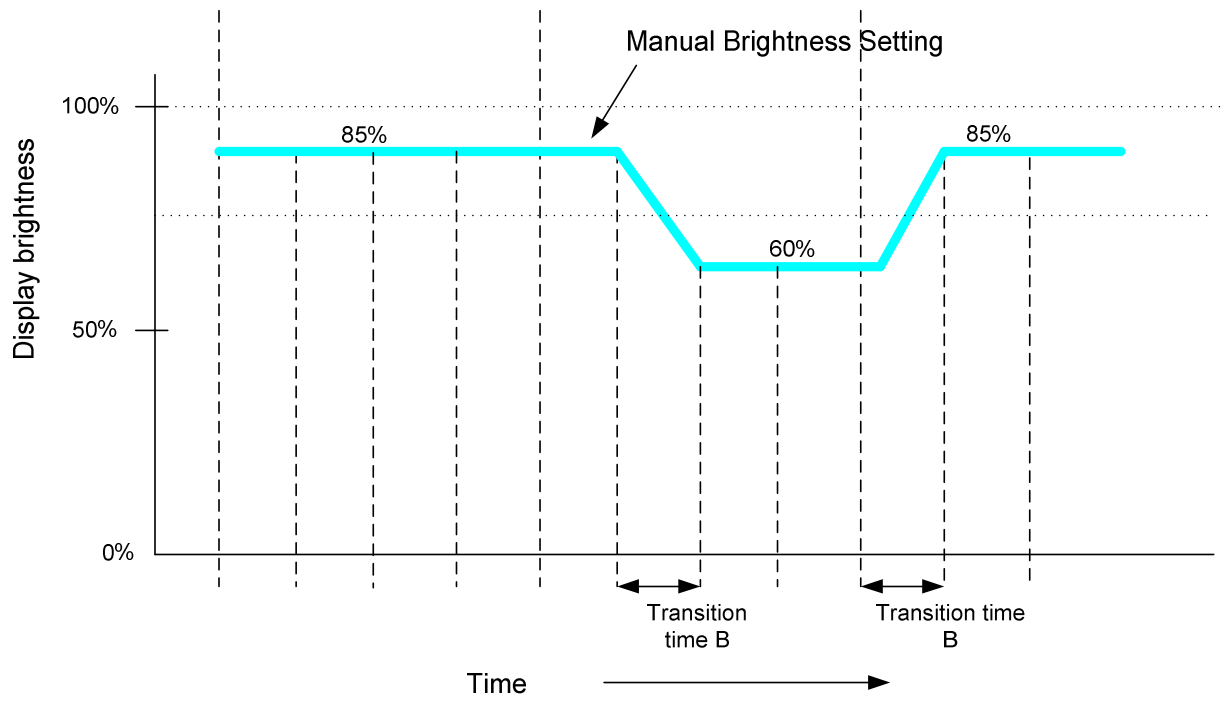
Display brightness is changed, according to the image contents. The following graph mentions the case of displaying three different images.

- Image A: -20% brightness reduction
- Image B: -30% brightness reduction
- Image C: -30% brightness reduction

Transition time from the previous image to the current displayed image is “transition time A”.



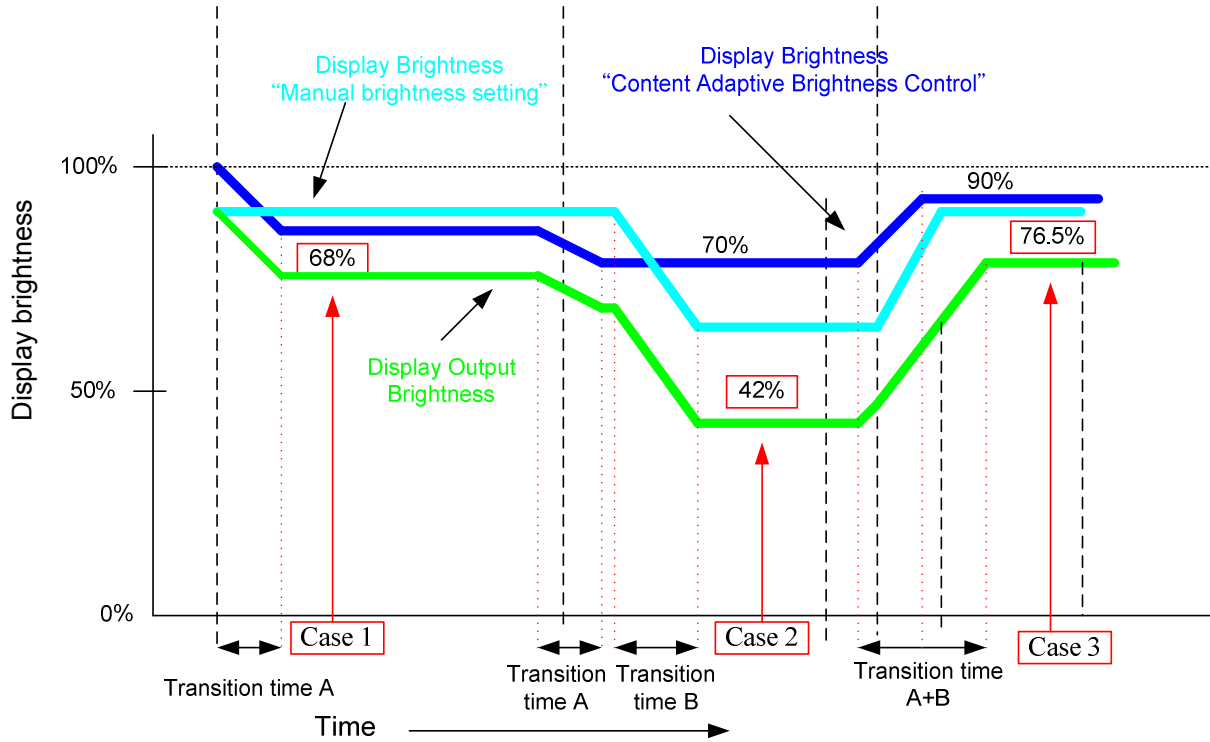
- Manual brightness setting and Dimming function



- Combine Display brightness

Green line in the following graph is for the output brightness of display. It is combined with both display brightness, which are defined in the above graphs.

Maximum transition time is transition time A+B.



Brightness level calculates with the following formula.

$$\text{Display Output brightness} = \text{Manual Brightness setting} * \text{CABC brightness ratio}$$

| | Manual Brightness setting | Brightness ratio [CABC] | Display Output brightness |
|--------|---------------------------|-------------------------|---------------------------|
| Case 1 | 85% | 80% | 68% |
| Case 2 | 60% | 70% | 42% |
| Case 3 | 85% | 90% | 76.5% |

Transition time from the current brightness to target brightness is A+B in the worst case.

8.22.2 Minimum brightness setting of CABC function

CABC function is automatically reduced backlight brightness based on image contents. In the case of the combination with the LABC or manual brightness setting, display brightness is too dark. It must affect to image quality degradation. CABC minimum brightness setting is to avoid too much brightness reduction. When CABC is active, CABC can not reduce the display brightness to less than CABC minimum brightness setting. If CABC algorithm works without any abnormal visual effect, image processing function can operate even when the brightness can not be changed.

This function does not affect to the other function, manual brightness setting. Manual brightness can be set the display brightness to less than CABC minimum brightness. Smooth transition and dimming function can be worked as normal.

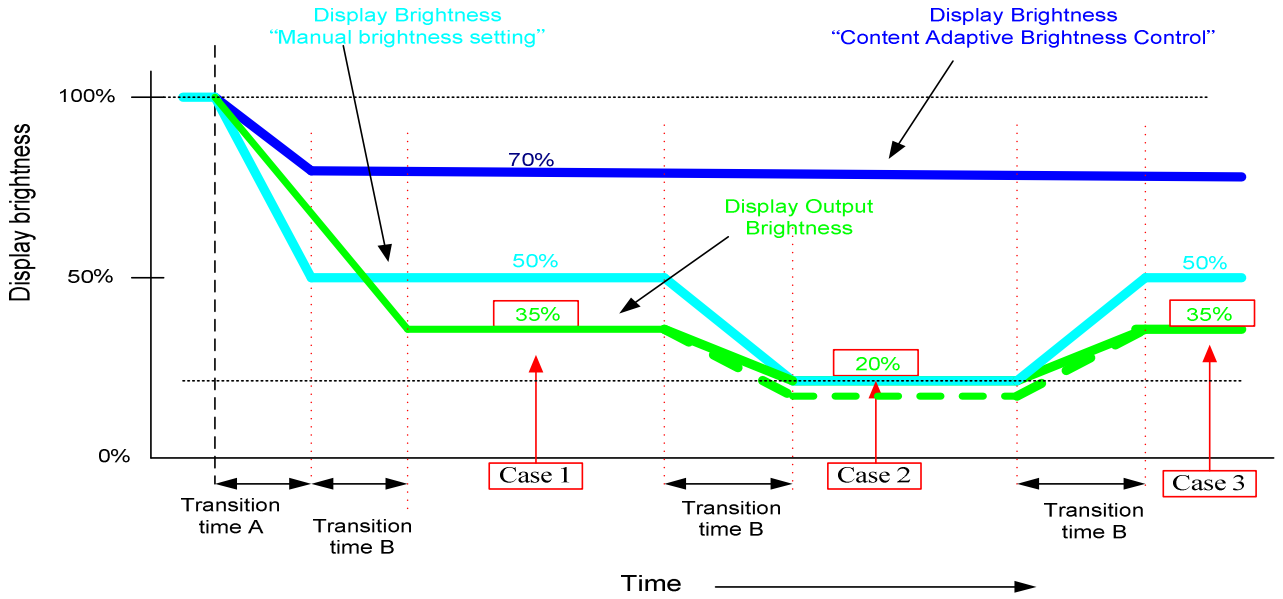
When display brightness is turned off (BCTRL=0 of "9.1.39 Write CTRL Display (53h)"), CABC minimum brightness setting is ignored. "9.1.44 Read CABC minimum brightness (5Fh)" always read the setting value of "9.1.43 Write CABC minimum brightness (5Eh)".

| | WRCABC (55h) | Function | RDCABCMB (5Fh) | Image |
|----------|--------------|----------|----------------|---------------|
| Sleep-in | | NA | WRCABCMB (5Eh) | |
| CABC off | 00b | Disable | WRCABCMB (5Eh) | Original |
| CABC on | 01b/10b/11b | Enable | WRCABCMB (5Eh) | CABC modified |

Brightness level calculates with the following formula.

$$\text{Display Output Brightness} = \text{Manual brightness setting} * \text{CABC brightness ratio}$$

Below drawing is for the explanation of the CABC minimum brightness setting.



CABC minimum brightness value = 51 (33h: 20% display brightness)

| | Display Brightness [manual setting] | Brightness ratio [CABC] | Calculation result of the display brightness formula | Display Output Brightness | Image |
|--------|-------------------------------------|-------------------------|--|---------------------------|---------------|
| Case 1 | 50% | 70% | 35% | 35% | CABC modified |
| Case 2 | 20% | 70% | 14% | 20% | CABC modified |
| Case 3 | 50% | 70% | 35% | 35% | CABC modified |

At the case 2, the calculation result of the display brightness is 14%. CABC minimum brightness value is set to 20% brightness. Actual display brightness is 20% as the CABC minimum brightness setting.

9 COMMAND

9.1 System Function Command Table 1

| Instruction | D/CX | WRX | RDX | D17-8 | D7 | D6 | D5 | D4 | D3 | D2 | D1 | D0 | Hex | Function |
|---------------|------|-----|-----|-------|-------|-------|-------|--------|-------|-------|-------|-------|-------|---------------------|
| NOP | 0 | ↑ | 1 | - | 0 | 0 | 0 | 0 | 0 | 0 | 0 | 0 | (00h) | No operation |
| SWRESET | 0 | ↑ | 1 | - | 0 | 0 | 0 | 0 | 0 | 0 | 0 | 1 | (01h) | Software reset |
| RDDID | 0 | ↑ | 1 | - | 0 | 0 | 0 | 0 | 0 | 1 | 0 | 0 | (04h) | Read display ID |
| | 1 | 1 | ↑ | - | - | - | - | - | - | - | - | - | | Dummy read |
| | 1 | 1 | ↑ | - | ID17 | ID16 | ID15 | ID14 | ID13 | ID12 | ID11 | ID10 | | ID1 read |
| | 1 | 1 | ↑ | - | ID27 | ID26 | ID25 | ID24 | ID23 | ID22 | ID21 | ID20 | | ID2 read |
| | 1 | 1 | ↑ | - | ID37 | ID36 | ID35 | ID34 | ID33 | ID32 | ID31 | ID30 | | ID3 read |
| RDDST | 0 | ↑ | 1 | - | 0 | 0 | 0 | 0 | 1 | 0 | 0 | 1 | (09h) | Read display status |
| | 1 | 1 | ↑ | - | - | - | - | - | - | - | - | - | | Dummy read |
| | 1 | 1 | ↑ | - | BSTON | MY | MX | MV | ML | RGB | MH | ST24 | | - |
| | 1 | 1 | ↑ | - | ST23 | IFPF2 | IFPF1 | IFPF0 | IDMON | PTLON | SLOUT | NORON | | - |
| | 1 | 1 | ↑ | - | ST15 | ST14 | INVON | ST12 | ST11 | DISON | TEON | GCS2 | | - |
| | 1 | 1 | ↑ | - | GCS1 | GCS0 | TEM | ST4 | ST3 | ST2 | ST1 | ST0 | | - |
| RDDPM | 0 | ↑ | 1 | - | 0 | 0 | 0 | 0 | 1 | 0 | 1 | 0 | (0Ah) | Read display power |
| | 1 | 1 | ↑ | - | - | - | - | - | - | - | - | - | | Dummy read |
| | 1 | 1 | ↑ | - | BSTON | IDMON | PTLON | SLPOUT | NORON | DISON | 0 | 0 | | |
| RDD MADCTL | 0 | ↑ | 1 | - | 0 | 0 | 0 | 0 | 1 | 0 | 1 | 1 | (0Bh) | Read display |
| | 1 | 1 | ↑ | - | - | - | - | - | - | - | - | - | | Dummy read |
| | 1 | 1 | ↑ | - | MY | MX | MV | ML | RGB | MH | 0 | 0 | | - |
| RDD COLMOD | 0 | ↑ | 1 | - | 0 | 0 | 0 | 0 | 1 | 1 | 0 | 0 | (0Ch) | Read display pixel |
| | 1 | 1 | ↑ | - | - | - | - | - | - | - | - | - | | Dummy read |
| | 1 | 1 | ↑ | - | 0 | D6 | D5 | D4 | 0 | D2 | D1 | D0 | | - |
| RDDIM | 0 | ↑ | 1 | - | 0 | 0 | 0 | 0 | 1 | 1 | 0 | 1 | (0Dh) | Read display image |
| | 1 | 1 | ↑ | - | - | - | - | - | - | - | - | - | | Dummy read |
| | 1 | 1 | ↑ | - | VSSON | 0 | INVON | 0 | 0 | GC2 | GC1 | GC0 | | - |
| RDDSM | 0 | ↑ | 1 | - | 0 | 0 | 0 | 0 | 1 | 1 | 1 | 0 | (0Eh) | Read display signal |
| | 1 | 1 | ↑ | - | - | - | - | - | - | - | - | - | | Dummy read |

| Instruction | D/CX | WRX | RDX | D17-8 | D7 | D6 | D5 | D4 | D3 | D2 | D1 | D0 | Hex | Function |
|-------------|------|-----|-----|----------|-------|-------|-------|-------|-------|-------|-------|-------|-------|-------------------------------------|
| | 1 | 1 | ↑ | - | TEON | TEM | 0 | 0 | 0 | 0 | 0 | 0 | | - |
| RDDSDR | 0 | ↑ | 1 | - | 0 | 0 | 0 | 0 | 1 | 1 | 1 | 1 | (0Fh) | Read display self-diagnostic result |
| | 1 | 1 | ↑ | - | - | - | - | - | - | - | - | - | | Dummy read |
| | 1 | 1 | ↑ | - | D7 | D6 | 0 | 0 | 0 | 0 | 0 | 0 | | - |
| SLPIN | 0 | ↑ | 1 | - | 0 | 0 | 0 | 1 | 0 | 0 | 0 | 0 | (10h) | Sleep in |
| SLPOUT | 0 | ↑ | 1 | - | 0 | 0 | 0 | 1 | 0 | 0 | 0 | 1 | (11h) | Sleep out |
| PTLON | 0 | ↑ | 1 | - | 0 | 0 | 0 | 1 | 0 | 0 | 1 | 0 | (12h) | Partial mode on |
| NORON | 0 | ↑ | 1 | - | 0 | 0 | 0 | 1 | 0 | 0 | 1 | 1 | (13h) | Partial off (Normal) |
| INVOFF | 0 | ↑ | 1 | - | 0 | 0 | 1 | 0 | 0 | 0 | 0 | 0 | (20h) | Display inversion off |
| INVON | 0 | ↑ | 1 | - | 0 | 0 | 1 | 0 | 0 | 0 | 0 | 1 | (21h) | Display inversion on |
| GAMSET | 0 | ↑ | 1 | - | 0 | 0 | 1 | 0 | 0 | 0 | 0 | 1 | (26h) | Display inversion |
| | 1 | ↑ | 1 | - | 0 | 0 | 0 | 0 | GC3 | GC2 | GC1 | GC0 | | on |
| DISPOFF | 0 | ↑ | 1 | - | 0 | 0 | 1 | 0 | 1 | 0 | 0 | 0 | (28h) | Display off |
| DISPON | 0 | ↑ | 1 | - | 0 | 0 | 1 | 0 | 1 | 0 | 0 | 1 | (29h) | Display on |
| CASET | 0 | ↑ | 1 | - | 0 | 0 | 1 | 0 | 1 | 0 | 1 | 0 | (2Ah) | Column address set |
| | 1 | ↑ | 1 | - | XS15 | XS14 | XS13 | XS12 | XS11 | XS10 | XS9 | XS8 | | X address start: |
| | 1 | ↑ | 1 | | XS7 | XS6 | XS5 | XS4 | XS3 | XS2 | XS1 | XS0 | | $0 \leq XS \leq X$ |
| | 1 | ↑ | 1 | | XE15 | XE14 | XE13 | XE12 | XE11 | XE10 | XE9 | XE8 | | X address start: |
| | 1 | ↑ | 1 | | XE7 | XE6 | XE5 | XE4 | XE3 | XE2 | XE1 | XE0 | | $S \leq XE \leq X$ |
| RASET | 0 | ↑ | 1 | - | 0 | 0 | 1 | 0 | 1 | 0 | 1 | 1 | (2Bh) | Row address set |
| | 1 | ↑ | 1 | - | YS15 | YS14 | YS13 | YS12 | YS11 | YS10 | YS9 | YS8 | | Y address start: |
| | 1 | ↑ | 1 | | YS7 | YS6 | YS5 | YS4 | YS3 | YS2 | YS1 | YS0 | | $0 \leq YS \leq Y$ |
| | 1 | ↑ | 1 | | YE15 | YE14 | YE13 | YE12 | YE11 | YE10 | YE9 | YE8 | | Y address start: |
| | 1 | ↑ | 1 | | YE7 | YE6 | YE5 | YE4 | YE3 | YE2 | YE1 | YE0 | | $S \leq YE \leq Y$ |
| RAMWR | 0 | ↑ | 1 | - | 0 | 0 | 1 | 0 | 1 | 1 | 0 | 0 | (2Ch) | Memory write |
| | 1 | ↑ | 1 | D1[17:8] | D1[7] | D1[6] | D1[5] | D1[4] | D1[3] | D1[2] | D1[1] | D1[0] | | Write data |
| | 1 | ↑ | 1 | Dx[17:8] | Dx[7] | Dx[6] | Dx[5] | Dx[4] | Dx[3] | Dx[2] | Dx[1] | Dx[0] | | |
| | 1 | ↑ | 1 | Dn[17:8] | Dn[7] | Dn[6] | Dn[5] | Dn[4] | Dn[3] | Dn[2] | Dn[1] | Dn[0] | | |
| RAMRD | 0 | ↑ | 1 | - | 0 | 0 | 1 | 0 | 1 | 1 | 1 | 0 | (2Eh) | Memory read |

| Instruction | D/CX | WRX | RDX | D17-8 | D7 | D6 | D5 | D4 | D3 | D2 | D1 | D0 | Hex | Function |
|-------------|------|-----|-----|----------|-------|-------|-------|-------|-------|-------|-------|-------|-------|---------------------------------------|
| | 1 | 1 | ↑ | - | - | - | - | - | - | - | - | - | | Dummy read |
| | 1 | 1 | ↑ | D1[17:8] | D1[7] | D1[6] | D1[5] | D1[4] | D1[3] | D1[2] | D1[1] | D1[0] | | Read data |
| | 1 | 1 | ↑ | Dx[17:8] | Dx[7] | Dx[6] | Dx[5] | Dx[4] | Dx[3] | Dx[2] | Dx[1] | Dx[0] | | |
| | 1 | 1 | ↑ | Dn[17:8] | Dn[7] | Dn[6] | Dn[5] | Dn[4] | Dn[3] | Dn[2] | Dn[1] | Dn[0] | | |
| PTLAR | 0 | ↑ | 1 | - | 0 | 0 | 1 | 1 | 0 | 0 | 0 | 0 | (30h) | Partial start/end address set |
| | 1 | ↑ | 1 | - | PSL15 | PSL14 | PSL13 | PSL12 | PSL11 | PSL10 | PSL9 | PSL8 | | Partial start address: (0, 1, 2, ..P) |
| | 1 | ↑ | 1 | - | PSL7 | PSL6 | PSL5 | PSL4 | PSL3 | PSL2 | PSL1 | PSL0 | | |
| | 1 | ↑ | 1 | - | PEL15 | PEL14 | PEL13 | PEL12 | PEL11 | PEL10 | PEL9 | PEL8 | | Partial end address (0, 1, 2, 3, , P) |
| 1 | ↑ | 1 | - | PEL7 | PEL6 | PEL5 | PEL4 | PEL3 | PEL2 | PEL1 | PEL0 | | | |
| VSCRDEF | 0 | ↑ | 1 | - | 0 | 0 | 1 | 1 | 0 | 0 | 1 | 1 | (33h) | Vertical scrolling definition |
| | 1 | ↑ | 1 | - | TFA15 | TFA14 | TFA13 | TFA12 | TFA11 | TFA10 | TFA9 | TFA8 | | |
| | 1 | ↑ | 1 | - | TFA7 | TFA6 | TFA5 | TFA4 | TFA3 | TFA2 | TFA1 | TFA0 | | |
| | 1 | ↑ | 1 | - | VSA15 | VSA14 | VSA13 | VSA12 | VSA11 | VSA10 | VSA9 | VSA8 | | |
| | 1 | ↑ | 1 | - | VSA7 | VSA6 | VSA5 | VSA4 | VSA3 | VSA2 | VSA1 | VSA0 | | |
| | 1 | ↑ | 1 | - | BFA15 | BFA14 | BFA13 | BFA12 | BFA11 | BFA10 | BFA9 | BFA8 | | |
| | 1 | ↑ | 1 | - | BFA7 | BFA6 | BFA5 | BFA4 | BFA3 | BFA2 | BFA1 | BFA0 | | |
| TEOFF | 0 | ↑ | 1 | - | 0 | 0 | 1 | 1 | 0 | 1 | 0 | 0 | (34h) | Tearing effect line off |
| TEON | 0 | ↑ | 1 | - | 0 | 0 | 1 | 1 | 0 | 1 | 0 | 1 | (35h) | Tearing effect line on |
| | 1 | ↑ | 1 | - | - | - | - | - | - | - | - | TEM | | |
| MADCTL | 0 | ↑ | 1 | - | 0 | 0 | 1 | 1 | 0 | 1 | 1 | 0 | (36h) | Memory data access control |
| | 1 | ↑ | 1 | - | MY | MX | MV | ML | RGB | 0 | 0 | 0 | | - |
| VSCRSADD | 0 | ↑ | 1 | - | 0 | 0 | 1 | 1 | 0 | 1 | 1 | 1 | (37h) | Vertical scrolling start address |
| | 1 | ↑ | 1 | - | VSP15 | VSP14 | VSP13 | VSP12 | VSP11 | VSP10 | VSP9 | VSP8 | | |
| | 1 | ↑ | 1 | - | VSP7 | VSP6 | VSP5 | VSP4 | VSP3 | VSP2 | VSP1 | VSP0 | | |
| IDMOFF | 0 | ↑ | 1 | - | 0 | 0 | 1 | 1 | 1 | 0 | 0 | 0 | (38h) | Idle mode off |
| IDMON | 0 | ↑ | 1 | - | 0 | 0 | 1 | 1 | 1 | 0 | 0 | 1 | (39h) | Idle mode on |

| Instruction | D/CX | WRX | RDX | D17-8 | D7 | D6 | D5 | D4 | D3 | D2 | D1 | D0 | Hex | Function |
|-------------|------|-----|-----|----------|-------|-------|-------|-------|-------|-------|-------|-------|-------|-------------------------------|
| COLMOD | 0 | ↑ | 1 | - | 0 | 0 | 1 | 1 | 1 | 0 | 1 | 0 | (3Ah) | Interface pixel format |
| | 1 | ↑ | 1 | - | 0 | D6 | D5 | D4 | 0 | D2 | D1 | D0 | | Interface format |
| RAMWRC | 0 | ↑ | 1 | - | 0 | 0 | 1 | 1 | 1 | 1 | 0 | 0 | (3Ch) | Memory write continue |
| | 1 | ↑ | 1 | D1[17:8] | D1[7] | D1[6] | D1[5] | D1[4] | D1[3] | D1[2] | D1[1] | D1[0] | | Write data |
| | 1 | ↑ | 1 | Dx[17:8] | Dx[7] | Dx[6] | Dx[5] | Dx[4] | Dx[3] | Dx[2] | Dx[1] | Dx[0] | | |
| RAMRDC | 0 | ↑ | 1 | - | 0 | 0 | 1 | 1 | 1 | 1 | 1 | 0 | (3Eh) | Memory read continue |
| | 1 | 1 | ↑ | - | - | - | - | - | - | - | - | - | | Dummy Read |
| | 1 | 1 | ↑ | D1[17:8] | D1[7] | D1[6] | D1[5] | D1[4] | D1[3] | D1[2] | D1[1] | D1[0] | | |
| | 1 | 1 | ↑ | Dx[17:8] | Dx[7] | Dx[6] | Dx[5] | Dx[4] | Dx[3] | Dx[2] | Dx[1] | Dx[0] | | |
| | 1 | 1 | ↑ | Dn[17:8] | Dn[7] | Dn[6] | Dn[5] | Dn[4] | Dn[3] | Dn[2] | Dn[1] | Dn[0] | | |
| TESCAN | 0 | ↑ | 1 | - | 0 | 1 | 0 | 0 | 0 | 1 | 0 | 0 | (44h) | Set tear scanline |
| | 1 | ↑ | 1 | - | N15 | N14 | N13 | N12 | N11 | N10 | N9 | N8 | | |
| | 1 | ↑ | 1 | - | N7 | N6 | N5 | N4 | N3 | N2 | N1 | N0 | | |
| RDTESCAN | 0 | ↑ | 1 | - | 0 | 1 | 0 | 0 | 0 | 1 | 0 | 1 | (45h) | Get scanline |
| | 1 | 1 | ↑ | - | - | - | - | - | - | - | - | - | | Dummy Read |
| | 1 | 1 | ↑ | - | - | - | - | - | - | - | N9 | N8 | | |
| | 1 | 1 | ↑ | - | N7 | N6 | N5 | N4 | N3 | N2 | N1 | N0 | | |
| WRDISBV | 0 | ↑ | 1 | - | 0 | 1 | 0 | 1 | 0 | 0 | 0 | 1 | (51h) | Write display brightness |
| | 1 | ↑ | 1 | - | DBV7 | DBV6 | DBV5 | DBV4 | DBV3 | DBV2 | DBV1 | DBV0 | | |
| RDDISBV | 0 | ↑ | 1 | - | 0 | 1 | 0 | 1 | 0 | 0 | 1 | 0 | (52h) | Read display brightness value |
| | 1 | 1 | ↑ | - | - | - | - | - | - | - | - | - | | Dummy read |
| | 1 | 1 | ↑ | - | DBV7 | DBV6 | DBV5 | DBV4 | DBV3 | DBV2 | DBV1 | DBV0 | | |
| WRCTRLD | 0 | ↑ | 1 | - | 0 | 1 | 0 | 1 | 0 | 0 | 1 | 1 | (53h) | Write CTRL display |
| | 1 | ↑ | 1 | - | 0 | 0 | BCTRL | 0 | DD | BL | 0 | 0 | | |
| RDCTRLD | 0 | ↑ | 1 | - | 0 | 1 | 0 | 1 | 0 | 1 | 0 | 0 | (54h) | Read CTRL value display |
| | 1 | 1 | ↑ | - | - | - | - | - | - | - | - | - | | Dummy read |
| | 1 | 1 | ↑ | - | 0 | 0 | BCTRL | 0 | DD | BL | 0 | 0 | | |

| Instruction | D/CX | WRX | RDX | D17-8 | D7 | D6 | D5 | D4 | D3 | D2 | D1 | D0 | Hex | Function |
|-------------|------|-----|-----|-------|--------|--------|------|------|------|------|------|------|-------|---|
| WRCACE | 0 | ↑ | 1 | - | 0 | 1 | 0 | 1 | 0 | 1 | 0 | 1 | (55h) | Write content adaptive brightness control and Color enhancemnet |
| | 1 | ↑ | 1 | - | CECTRL | 0 | CE1 | CE0 | 0 | 0 | C1 | C0 | | |
| RDCABC | 0 | ↑ | 1 | - | 0 | 1 | 0 | 1 | 0 | 1 | 1 | 0 | (56h) | Read content adaptive brightness control |
| | 1 | 1 | ↑ | - | - | - | - | - | - | - | - | - | | Dummy read |
| | 1 | 1 | ↑ | - | 0 | CECTRL | 0 | 0 | 0 | 0 | C1 | C0 | | |
| WRCABCMB | 0 | ↑ | 1 | - | 0 | 1 | 0 | 1 | 1 | 1 | 1 | 0 | (5Eh) | Write CABC minimum brightness |
| | 1 | ↑ | 1 | - | CMB7 | CMB6 | CMB5 | CMB4 | CMB3 | CMB2 | CMB1 | CMB0 | | |
| RDCABCMB | 0 | ↑ | 1 | - | 0 | 1 | 0 | 1 | 1 | 1 | 1 | 1 | (5Fh) | Read CABC minimum brightness |
| | 1 | 1 | ↑ | - | - | - | - | - | - | - | - | - | | Dummy read |
| | 1 | 1 | ↑ | - | CMB7 | CMB6 | CMB5 | CMB4 | CMB3 | CMB2 | CMB1 | CMB0 | | |
| RDABCSDR | 0 | ↑ | 1 | - | 0 | 1 | 1 | 0 | 1 | 0 | 0 | 0 | (68h) | Read Automatic Brightness Control Self-Diagnostic Result |
| | 1 | 1 | ↑ | - | - | - | - | - | - | - | - | - | | Dummy read |
| | 1 | 1 | ↑ | - | D7 | D6 | 0 | 0 | 0 | 0 | 0 | 0 | | - |
| RDID1 | 0 | ↑ | 1 | - | 1 | 1 | 0 | 1 | 1 | 0 | 1 | 0 | (DAh) | Read ID1 |
| | 1 | 1 | ↑ | - | - | - | - | - | - | - | - | - | | Dummy read |
| | 1 | 1 | ↑ | - | ID17 | ID16 | ID15 | ID14 | ID13 | ID12 | ID11 | ID10 | | Read parameter |
| RDID2 | 0 | ↑ | 1 | - | 1 | 1 | 0 | 1 | 1 | 0 | 1 | 1 | (DBh) | Read ID2 |
| | 1 | 1 | ↑ | - | - | - | - | - | - | - | - | - | | Dummy read |
| | 1 | 1 | ↑ | - | ID27 | ID26 | ID25 | ID24 | ID23 | ID22 | ID21 | ID20 | | Read parameter |
| RDID3 | 0 | ↑ | 1 | - | 1 | 1 | 0 | 1 | 1 | 1 | 0 | 0 | (DCh) | Read ID3 |

| Instruction | D/CX | WRX | RDX | D17-8 | D7 | D6 | D5 | D4 | D3 | D2 | D1 | D0 | Hex | Function |
|-------------|------|-----|-----|-------|------|------|------|------|------|------|------|------|-----|----------------|
| | 1 | 1 | ↑ | - | - | - | - | - | - | - | - | - | | Dummy read |
| | 1 | 1 | ↑ | | ID37 | ID36 | ID35 | ID34 | ID33 | ID32 | ID31 | ID30 | | Read parameter |

Table 19 System Function Command List

“-”: Don’t care

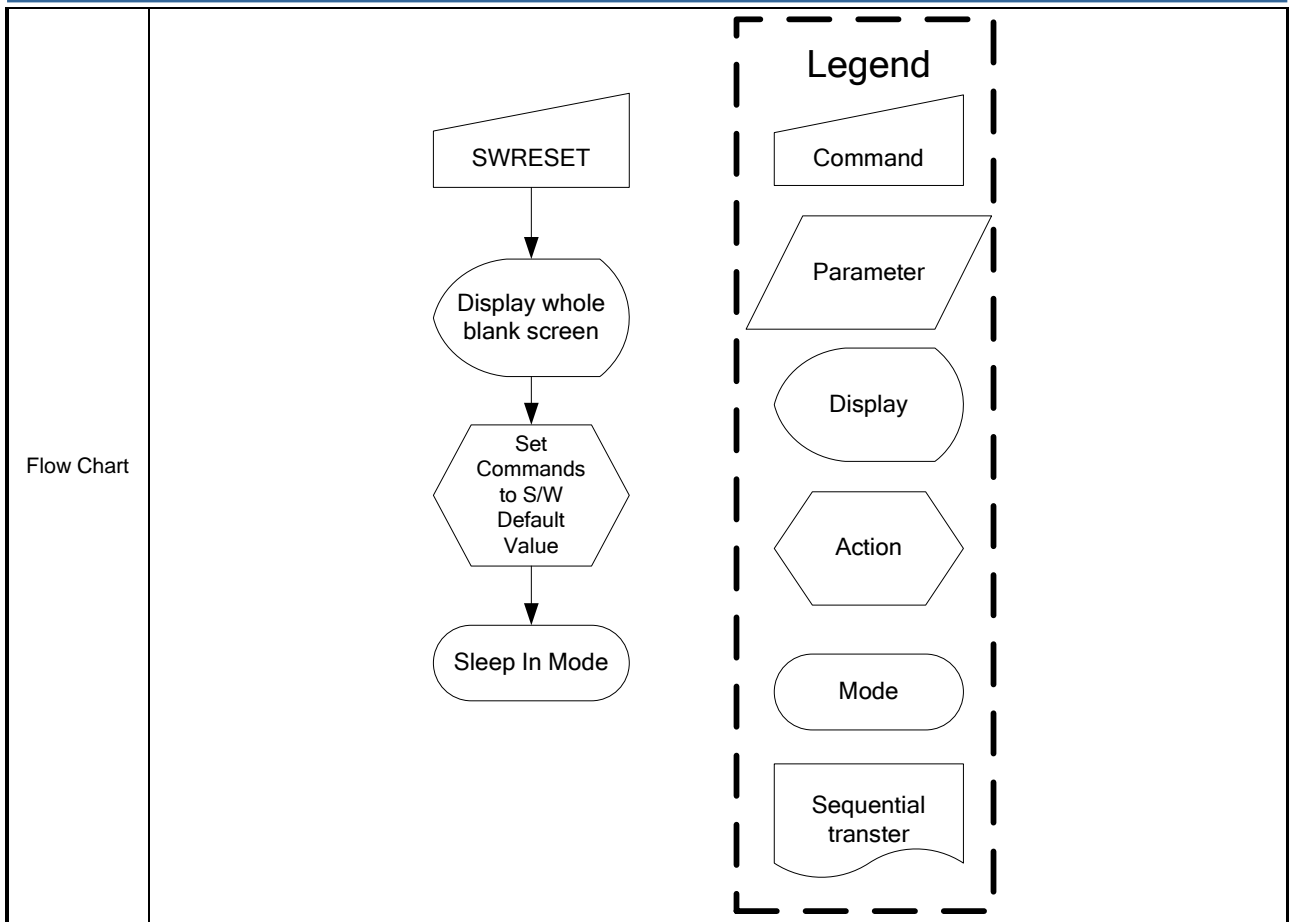
9.1.1 NOP (00h)

| 00H | NOP (No Operation) | | | | | | | | | | | | HEX | | | | | | | | | | | | |
|---|--|-----|-----|-------|----|----|----|----|----|----|----|----|-------|--------|---------------|--|-----|---|-----|---|-----|--|-----|----------|-----|
| Inst / Para | D/CX | WRX | RDX | D17-8 | D7 | D6 | D5 | D4 | D3 | D2 | D1 | D0 | HEX | | | | | | | | | | | | |
| NOP | 0 | ↑ | 1 | - | 0 | 0 | 0 | 0 | 0 | 0 | 0 | 0 | (00h) | | | | | | | | | | | | |
| Parameter | No Parameter | | | | | | | | | | | | - | | | | | | | | | | | | |
| Description | This command is empty command. | | | | | | | | | | | | | | | | | | | | | | | | |
| Restriction | | | | | | | | | | | | | | | | | | | | | | | | | |
| Register Availability | <table border="1"> <thead> <tr> <th>Status</th> <th>Availability</th> </tr> </thead> <tbody> <tr> <td>Normal Mode On, Idle Mode Off, Sleep Out</td> <td>Yes</td> </tr> <tr> <td>Normal Mode On, Idle Mode On, Sleep Out</td> <td>Yes</td> </tr> <tr> <td>Partial Mode On, Idle Mode Off, Sleep Out</td> <td>Yes</td> </tr> <tr> <td>Partial Mode On, Idle Mode On, Sleep Out</td> <td>Yes</td> </tr> <tr> <td>Sleep In</td> <td>Yes</td> </tr> </tbody> </table> | | | | | | | | | | | | | Status | Availability | Normal Mode On, Idle Mode Off, Sleep Out | Yes | Normal Mode On, Idle Mode On, Sleep Out | Yes | Partial Mode On, Idle Mode Off, Sleep Out | Yes | Partial Mode On, Idle Mode On, Sleep Out | Yes | Sleep In | Yes |
| Status | Availability | | | | | | | | | | | | | | | | | | | | | | | | |
| Normal Mode On, Idle Mode Off, Sleep Out | Yes | | | | | | | | | | | | | | | | | | | | | | | | |
| Normal Mode On, Idle Mode On, Sleep Out | Yes | | | | | | | | | | | | | | | | | | | | | | | | |
| Partial Mode On, Idle Mode Off, Sleep Out | Yes | | | | | | | | | | | | | | | | | | | | | | | | |
| Partial Mode On, Idle Mode On, Sleep Out | Yes | | | | | | | | | | | | | | | | | | | | | | | | |
| Sleep In | Yes | | | | | | | | | | | | | | | | | | | | | | | | |
| Default | <table border="1"> <thead> <tr> <th>Status</th> <th>Default Value</th> </tr> </thead> <tbody> <tr> <td>Power On Sequence</td> <td>N/A</td> </tr> <tr> <td>S/W Reset</td> <td>N/A</td> </tr> <tr> <td>H/W Reset</td> <td>N/A</td> </tr> </tbody> </table> | | | | | | | | | | | | | Status | Default Value | Power On Sequence | N/A | S/W Reset | N/A | H/W Reset | N/A | | | | |
| Status | Default Value | | | | | | | | | | | | | | | | | | | | | | | | |
| Power On Sequence | N/A | | | | | | | | | | | | | | | | | | | | | | | | |
| S/W Reset | N/A | | | | | | | | | | | | | | | | | | | | | | | | |
| H/W Reset | N/A | | | | | | | | | | | | | | | | | | | | | | | | |
| Flow Chart | | | | | | | | | | | | | | | | | | | | | | | | | |

Note: “-“Don’t care

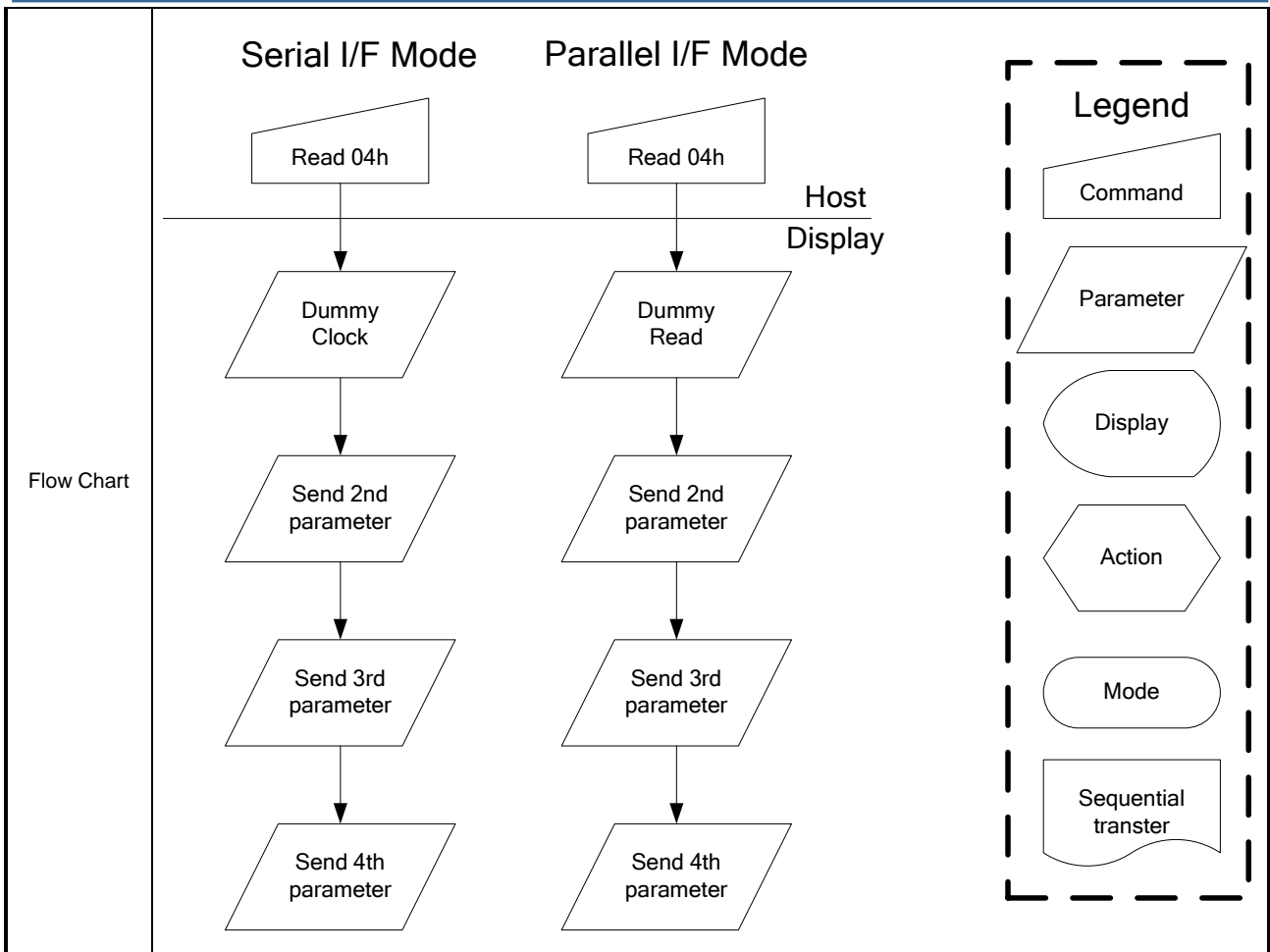
9.1.2 SWRESET (01h): Software Reset

| 01H | SWRESET (Software Reset) | | | | | | | | | | | | HEX | | | | | | | | | | | | |
|---|--|-----|-----|-------|----|----|----|----|----|----|----|----|-------|--------|---------------|--|-----|---|-----|---|-----|--|-----|----------|-----|
| Inst / Para | D/CX | WRX | RDX | D17-8 | D7 | D6 | D5 | D4 | D3 | D2 | D1 | D0 | HEX | | | | | | | | | | | | |
| SWRESET | 0 | ↑ | 1 | - | 0 | 0 | 0 | 0 | 0 | 0 | 0 | 1 | (01h) | | | | | | | | | | | | |
| Parameter | No Parameter | | | | | | | | | | | | - | | | | | | | | | | | | |
| Description | “-“ Don't care -The display module performs a software reset, registers are written with their SW reset default values. -Frame memory contents are unaffected by this command. | | | | | | | | | | | | | | | | | | | | | | | | |
| Restriction | It will be necessary to wait 5msec before sending new command following software reset. The display module loads all display suppliers' factory default values to the registers during this 5msec. If software reset is sent during sleep in mode, it will be necessary to wait 120msec before sending sleep out command. Software reset command cannot be sent during sleep out sequence. | | | | | | | | | | | | | | | | | | | | | | | | |
| Register Availability | <table border="1"> <thead> <tr> <th>Status</th> <th>Availability</th> </tr> </thead> <tbody> <tr> <td>Normal Mode On, Idle Mode Off, Sleep Out</td> <td>Yes</td> </tr> <tr> <td>Normal Mode On, Idle Mode On, Sleep Out</td> <td>Yes</td> </tr> <tr> <td>Partial Mode On, Idle Mode Off, Sleep Out</td> <td>Yes</td> </tr> <tr> <td>Partial Mode On, Idle Mode On, Sleep Out</td> <td>Yes</td> </tr> <tr> <td>Sleep In</td> <td>Yes</td> </tr> </tbody> </table> | | | | | | | | | | | | | Status | Availability | Normal Mode On, Idle Mode Off, Sleep Out | Yes | Normal Mode On, Idle Mode On, Sleep Out | Yes | Partial Mode On, Idle Mode Off, Sleep Out | Yes | Partial Mode On, Idle Mode On, Sleep Out | Yes | Sleep In | Yes |
| Status | Availability | | | | | | | | | | | | | | | | | | | | | | | | |
| Normal Mode On, Idle Mode Off, Sleep Out | Yes | | | | | | | | | | | | | | | | | | | | | | | | |
| Normal Mode On, Idle Mode On, Sleep Out | Yes | | | | | | | | | | | | | | | | | | | | | | | | |
| Partial Mode On, Idle Mode Off, Sleep Out | Yes | | | | | | | | | | | | | | | | | | | | | | | | |
| Partial Mode On, Idle Mode On, Sleep Out | Yes | | | | | | | | | | | | | | | | | | | | | | | | |
| Sleep In | Yes | | | | | | | | | | | | | | | | | | | | | | | | |
| Default | <table border="1"> <thead> <tr> <th>Status</th> <th>Default Value</th> </tr> </thead> <tbody> <tr> <td>Power On Sequence</td> <td>N/A</td> </tr> <tr> <td>S/W Reset</td> <td>N/A</td> </tr> <tr> <td>H/W Reset</td> <td>N/A</td> </tr> </tbody> </table> | | | | | | | | | | | | | Status | Default Value | Power On Sequence | N/A | S/W Reset | N/A | H/W Reset | N/A | | | | |
| Status | Default Value | | | | | | | | | | | | | | | | | | | | | | | | |
| Power On Sequence | N/A | | | | | | | | | | | | | | | | | | | | | | | | |
| S/W Reset | N/A | | | | | | | | | | | | | | | | | | | | | | | | |
| H/W Reset | N/A | | | | | | | | | | | | | | | | | | | | | | | | |



9.1.3 RDDID (04h): Read Display ID

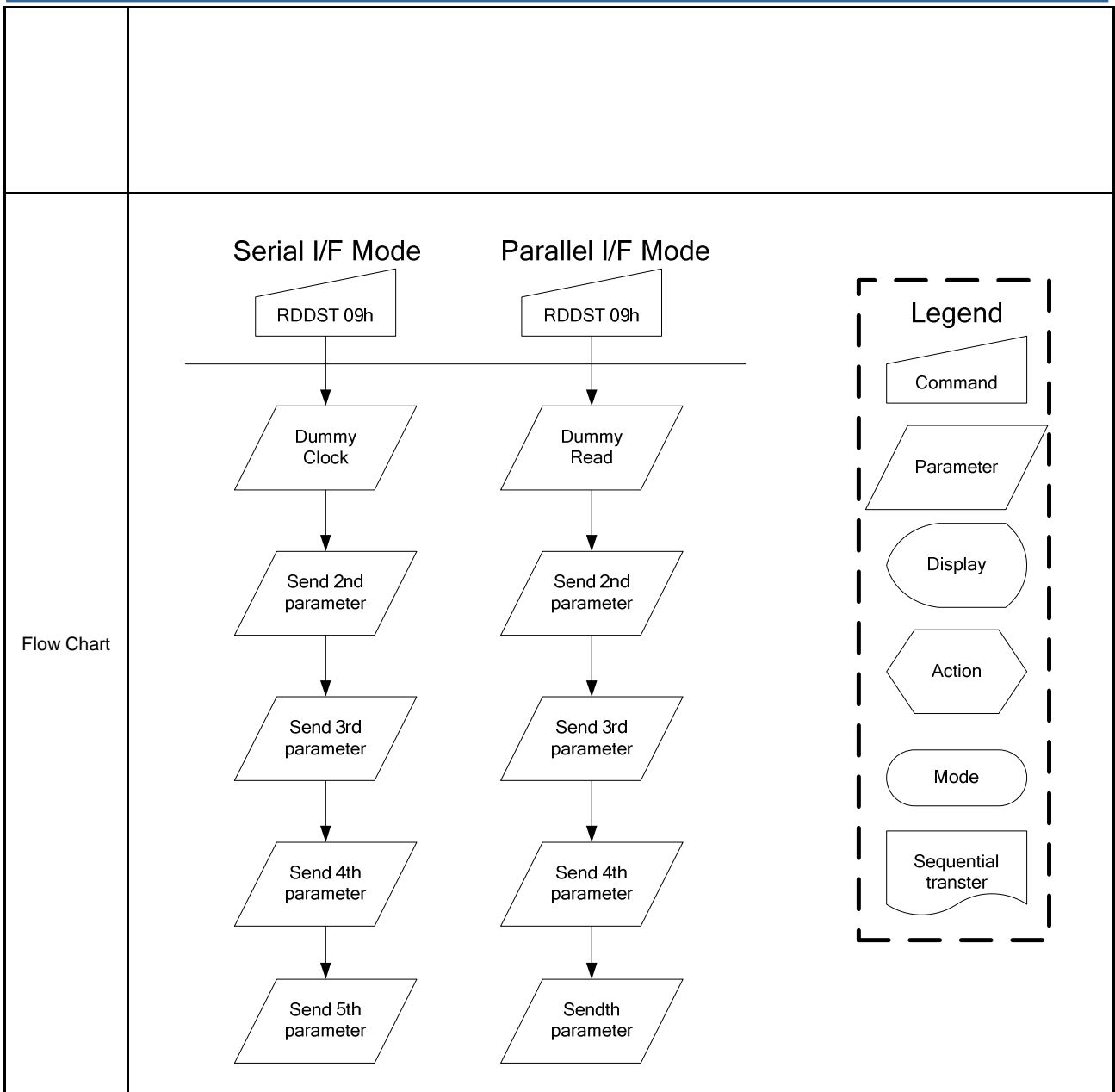
| 04H | RDDID (Read Display ID) | | | | | | | | | | | | | | | | | | | | | | | | | | | | | | | |
|---|---|------|------|-------|------|------|------|------|------|------|------|------|-------|--------|---------------|--|-----|---|-----|---|-------------------|--|------|----------|-----------|------|------|------|-----------|------|------|------|
| Inst / Para | D/CX | WRX | RDX | D17-8 | D7 | D6 | D5 | D4 | D3 | D2 | D1 | D0 | HEX | | | | | | | | | | | | | | | | | | | |
| RDDID | 0 | ↑ | 1 | - | 0 | 0 | 0 | 0 | 0 | 1 | 0 | 0 | (04h) | | | | | | | | | | | | | | | | | | | |
| 1 st parameter | 1 | 1 | ↑ | - | - | - | - | - | - | - | - | - | - | | | | | | | | | | | | | | | | | | | |
| 2 nd parameter | 1 | 1 | ↑ | - | ID17 | ID16 | ID15 | ID14 | ID13 | ID12 | ID11 | ID10 | | | | | | | | | | | | | | | | | | | | |
| 3 rd parameter | 1 | 1 | ↑ | - | ID27 | ID26 | ID25 | ID24 | ID23 | ID22 | ID21 | ID20 | | | | | | | | | | | | | | | | | | | | |
| 4 th parameter | 1 | 1 | ↑ | - | ID37 | ID36 | ID35 | ID34 | ID33 | ID32 | ID31 | ID30 | | | | | | | | | | | | | | | | | | | | |
| Description | <p>-This read byte returns 24-bit display identification information.</p> <p>-The 1st parameter is dummy data</p> <p>-The 2nd parameter (ID17 to ID10): LCD module's manufacturer ID.</p> <p>-The 3rd parameter (ID26 to ID20): LCD module/driver version ID</p> <p>-The 4th parameter (ID37 to UD30): LCD module/driver ID.</p> <p>-Commands RDID1/2/3(Dah, DBh, DCh) read data correspond to the parameters 2,3,4 of the command 04h, respectively.</p> <p>“-“ Don't care</p> | | | | | | | | | | | | | | | | | | | | | | | | | | | | | | | |
| Restriction | | | | | | | | | | | | | | | | | | | | | | | | | | | | | | | | |
| Register availability | <table border="1"> <thead> <tr> <th>Status</th> <th>Availability</th> </tr> </thead> <tbody> <tr> <td>Normal Mode On, Idle Mode Off, Sleep Out</td> <td>Yes</td> </tr> <tr> <td>Normal Mode On, Idle Mode On, Sleep Out</td> <td>Yes</td> </tr> <tr> <td>Partial Mode On, Idle Mode Off, Sleep Out</td> <td>Yes</td> </tr> <tr> <td>Partial Mode On, Idle Mode On, Sleep Out</td> <td>Yes</td> </tr> <tr> <td>Sleep In</td> <td>Yes</td> </tr> </tbody> </table> | | | | | | | | | | | | | Status | Availability | Normal Mode On, Idle Mode Off, Sleep Out | Yes | Normal Mode On, Idle Mode On, Sleep Out | Yes | Partial Mode On, Idle Mode Off, Sleep Out | Yes | Partial Mode On, Idle Mode On, Sleep Out | Yes | Sleep In | Yes | | | | | | | |
| Status | Availability | | | | | | | | | | | | | | | | | | | | | | | | | | | | | | | |
| Normal Mode On, Idle Mode Off, Sleep Out | Yes | | | | | | | | | | | | | | | | | | | | | | | | | | | | | | | |
| Normal Mode On, Idle Mode On, Sleep Out | Yes | | | | | | | | | | | | | | | | | | | | | | | | | | | | | | | |
| Partial Mode On, Idle Mode Off, Sleep Out | Yes | | | | | | | | | | | | | | | | | | | | | | | | | | | | | | | |
| Partial Mode On, Idle Mode On, Sleep Out | Yes | | | | | | | | | | | | | | | | | | | | | | | | | | | | | | | |
| Sleep In | Yes | | | | | | | | | | | | | | | | | | | | | | | | | | | | | | | |
| Default | <table border="1"> <thead> <tr> <th rowspan="2">Status</th> <th colspan="3">Default Value</th> </tr> <tr> <th>ID1</th> <th>ID2</th> <th>ID3</th> </tr> </thead> <tbody> <tr> <td>Power On Sequence</td> <td>0x85</td> <td>0x85</td> <td>0x52</td> </tr> <tr> <td>S/W Reset</td> <td>0x85</td> <td>0x85</td> <td>0x52</td> </tr> <tr> <td>H/W Reset</td> <td>0x85</td> <td>0x85</td> <td>0x52</td> </tr> </tbody> </table> | | | | | | | | | | | | | Status | Default Value | | | ID1 | ID2 | ID3 | Power On Sequence | 0x85 | 0x85 | 0x52 | S/W Reset | 0x85 | 0x85 | 0x52 | H/W Reset | 0x85 | 0x85 | 0x52 |
| Status | Default Value | | | | | | | | | | | | | | | | | | | | | | | | | | | | | | | |
| | ID1 | ID2 | ID3 | | | | | | | | | | | | | | | | | | | | | | | | | | | | | |
| Power On Sequence | 0x85 | 0x85 | 0x52 | | | | | | | | | | | | | | | | | | | | | | | | | | | | | |
| S/W Reset | 0x85 | 0x85 | 0x52 | | | | | | | | | | | | | | | | | | | | | | | | | | | | | |
| H/W Reset | 0x85 | 0x85 | 0x52 | | | | | | | | | | | | | | | | | | | | | | | | | | | | | |



9.1.4 RDDST (09h): Read Display Status

| 09H | RDDST (Read Display Status) | | | | | | | | | | | | HEX |
|---------------------------|---|--|---------------------|--|-------|-------|-------|-------|-------|-------|-------|-------|-------|
| Inst / Para | D/CX | WRX | RDX | D17-8 | D7 | D6 | D5 | D4 | D3 | D2 | D1 | D0 | HEX |
| RDDST | 0 | ↑ | 1 | - | 0 | 0 | 0 | 0 | 1 | 0 | 0 | 1 | (09h) |
| 1 st parameter | 1 | 1 | ↑ | - | - | - | - | - | - | - | - | - | - |
| 2 nd parameter | 1 | 1 | ↑ | - | BSTON | MY | MX | MV | ML | RGB | MH | ST24 | |
| 3 rd parameter | 1 | 1 | ↑ | - | ST23 | IFPF2 | IFPF1 | IFPF0 | IDMON | PTLON | SLOUT | NORON | |
| 4 th parameter | 1 | 1 | ↑ | - | ST15 | ST14 | INVON | ST12 | ST11 | DISON | TEON | GCS2 | |
| 5 th parameter | 1 | 1 | ↑ | - | GCS1 | GCS0 | TEM | ST4 | ST3 | ST2 | ST1 | ST0 | |
| Description | This command indicates the current status of the display as described in the table below: | | | | | | | | | | | | |
| | Bit | Description | | Value | | | | | | | | | |
| | BSTON | Booster Voltage Status | | '1' =Booster on, '0' =Booster off | | | | | | | | | |
| | MY | Row Address Order (MY) | | '1' =Decrement, (Bottom to Top, when MADCTL (36h) D7='1') '0' =Increment, (Top to Bottom, when MADCTL (36h) D7='0') | | | | | | | | | |
| | MX | Column Address Order (MX) | | '1' =Decrement, (Right to Left, when MADCTL (36h) D6='1') '0' =Increment, (Left to Right, when MADCTL (36h) D6='0') | | | | | | | | | |
| | MV | Row/Column Exchange (MV) | | '1' = Row/column exchange, (when MADCTL (36h) D5='1') '0' = Normal, (when MADCTL (36h) D5='0') | | | | | | | | | |
| | ML | Scan Address Order (ML) | | '0' =Decrement, (LCD refresh Top to Bottom, when MADCTL (36h) D4='0') '1' =Increment, (LCD refresh Bottom to Top, when MADCTL (36h) D4='1') | | | | | | | | | |
| | RGB | RGB/ BGR Order (RGB) | | '1' =BGR, (When MADCTL (36h) D3='1') '0' =RGB, (When MADCTL (36h) D3='0') | | | | | | | | | |
| | MH | Horizontal Order | | '0' =Decrement, (LCD refresh Left to Right, when MADCTL (36h) D2='0') '1' =Increment, (LCD refresh Right to Left, when MADCTL (36h) D2='1') | | | | | | | | | |
| | ST24 | For Future Use | | '0' | | | | | | | | | |
| | ST23 | For Future Use | | '0' | | | | | | | | | |
| | IFPF2 | Interface Color Pixel Format Definition | | "011" = 12-bit / pixel, | | | | | | | | | |
| | IFPF1 | | | "101" = 16-bit / pixel, | | | | | | | | | |
| | IFPF0 | | | "110" = 18-bit / pixel, "111" = 16M truncated, others are not defined. | | | | | | | | | |
| IDMON | Idle Mode On/Off | | '1' = On, "0" = Off | | | | | | | | | | |
| PTLON | Partial Mode On/Off | | '1' = On, "0" = Off | | | | | | | | | | |

| | SLPOUT | Sleep In/Out | '1' = Out, "0" = In | | | | | | | | | | | | | | | | | | | | | | | | | |
|---|---|--------------------------------------|--|-----------|--------|-----------------------------|--|-----|---|-----------|---|----------|--|-------------------|-----------|-----------|-----------|-----------|-----------|-----------|-----------|-----------|-----------|-----------|-----------|-----------|-----------|-----------|
| | NORON | Display Normal Mode On/Off | '1' = Normal Display, '0' = Partial Display | | | | | | | | | | | | | | | | | | | | | | | | | |
| | ST15 | Vertical Scrolling Status (Not Used) | '1' = Scroll on, "0" = Scroll off | | | | | | | | | | | | | | | | | | | | | | | | | |
| | ST14 | Horizontal Scroll Status (Not Used) | '0' | | | | | | | | | | | | | | | | | | | | | | | | | |
| | INVON | Inversion Status | '1' = On, "0" = Off | | | | | | | | | | | | | | | | | | | | | | | | | |
| | ST12 | All Pixels On (Not Used) | '0' | | | | | | | | | | | | | | | | | | | | | | | | | |
| | ST11 | All Pixels Off (Not Used) | '0' | | | | | | | | | | | | | | | | | | | | | | | | | |
| | DISON | Display On/Off | '1' = On, "0" = Off | | | | | | | | | | | | | | | | | | | | | | | | | |
| | TEON | Tearing effect line on/off | '1' = On, "0" = Off | | | | | | | | | | | | | | | | | | | | | | | | | |
| | GCSEL2 | Gamma Curve Selection | "000" = GC0 | | | | | | | | | | | | | | | | | | | | | | | | | |
| | GCSEL1 | | "001" = GC1 | | | | | | | | | | | | | | | | | | | | | | | | | |
| | GCSEL0 | | "010" = GC2 | | | | | | | | | | | | | | | | | | | | | | | | | |
| | | | "011" = GC3 | | | | | | | | | | | | | | | | | | | | | | | | | |
| | TEM | Tearing effect line mode | '0' = mode1, '1' = mode2 | | | | | | | | | | | | | | | | | | | | | | | | | |
| | ST4 | For Future Use | '0' | | | | | | | | | | | | | | | | | | | | | | | | | |
| | ST3 | For Future Use | '0' | | | | | | | | | | | | | | | | | | | | | | | | | |
| | ST2 | For Future Use | '0' | | | | | | | | | | | | | | | | | | | | | | | | | |
| ST1 | For Future Use | '0' | | | | | | | | | | | | | | | | | | | | | | | | | | |
| ST0 | For Future Use | '0' | | | | | | | | | | | | | | | | | | | | | | | | | | |
| "- " Don't care | | | | | | | | | | | | | | | | | | | | | | | | | | | | |
| Restriction | | | | | | | | | | | | | | | | | | | | | | | | | | | | |
| Register availability | <table border="1"> <thead> <tr> <th>Status</th> <th>Availability</th> </tr> </thead> <tbody> <tr> <td>Normal Mode On, Idle Mode Off, Sleep Out</td> <td>Yes</td> </tr> <tr> <td>Normal Mode On, Idle Mode On, Sleep Out</td> <td>Yes</td> </tr> <tr> <td>Partial Mode On, Idle Mode Off, Sleep Out</td> <td>Yes</td> </tr> <tr> <td>Partial Mode On, Idle Mode On, Sleep Out</td> <td>Yes</td> </tr> <tr> <td>Sleep In</td> <td>Yes</td> </tr> </tbody> </table> | | | | Status | Availability | Normal Mode On, Idle Mode Off, Sleep Out | Yes | Normal Mode On, Idle Mode On, Sleep Out | Yes | Partial Mode On, Idle Mode Off, Sleep Out | Yes | Partial Mode On, Idle Mode On, Sleep Out | Yes | Sleep In | Yes | | | | | | | | | | | | |
| Status | Availability | | | | | | | | | | | | | | | | | | | | | | | | | | | |
| Normal Mode On, Idle Mode Off, Sleep Out | Yes | | | | | | | | | | | | | | | | | | | | | | | | | | | |
| Normal Mode On, Idle Mode On, Sleep Out | Yes | | | | | | | | | | | | | | | | | | | | | | | | | | | |
| Partial Mode On, Idle Mode Off, Sleep Out | Yes | | | | | | | | | | | | | | | | | | | | | | | | | | | |
| Partial Mode On, Idle Mode On, Sleep Out | Yes | | | | | | | | | | | | | | | | | | | | | | | | | | | |
| Sleep In | Yes | | | | | | | | | | | | | | | | | | | | | | | | | | | |
| Default | <table border="1"> <thead> <tr> <th rowspan="2">Status</th> <th colspan="4">Default Value (ST31 to ST0)</th> </tr> <tr> <th>ST[31-24]</th> <th>ST[23-16]</th> <th>ST[15-8]</th> <th>ST[7-0]</th> </tr> </thead> <tbody> <tr> <td>Power On Sequence</td> <td>0000-0000</td> <td>0110-0001</td> <td>0000-0000</td> <td>0000-0000</td> </tr> <tr> <td>S/W Reset</td> <td>0xxx-xx00</td> <td>0xxx-0001</td> <td>0000-0000</td> <td>0000-0000</td> </tr> <tr> <td>H/W Reset</td> <td>0000-0000</td> <td>0110-0001</td> <td>0000-0000</td> <td>0000-0000</td> </tr> </tbody> </table> | | | | Status | Default Value (ST31 to ST0) | | | | ST[31-24] | ST[23-16] | ST[15-8] | ST[7-0] | Power On Sequence | 0000-0000 | 0110-0001 | 0000-0000 | 0000-0000 | S/W Reset | 0xxx-xx00 | 0xxx-0001 | 0000-0000 | 0000-0000 | H/W Reset | 0000-0000 | 0110-0001 | 0000-0000 | 0000-0000 |
| Status | Default Value (ST31 to ST0) | | | | | | | | | | | | | | | | | | | | | | | | | | | |
| | ST[31-24] | ST[23-16] | ST[15-8] | ST[7-0] | | | | | | | | | | | | | | | | | | | | | | | | |
| Power On Sequence | 0000-0000 | 0110-0001 | 0000-0000 | 0000-0000 | | | | | | | | | | | | | | | | | | | | | | | | |
| S/W Reset | 0xxx-xx00 | 0xxx-0001 | 0000-0000 | 0000-0000 | | | | | | | | | | | | | | | | | | | | | | | | |
| H/W Reset | 0000-0000 | 0110-0001 | 0000-0000 | 0000-0000 | | | | | | | | | | | | | | | | | | | | | | | | |



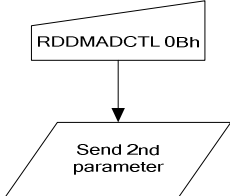
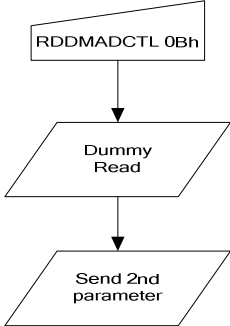




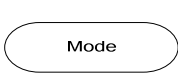
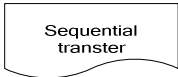
9.1.5 RDDPM (0Ah): Read Display Power Mode

| 0AH | RDDPM (Read Display Power Mode) | | | | | | | | | | | | |
|---------------------------|---|-----|----------------------------|-------|-------|-------|--------------|--------|-------|---|----|----|-------|
| Inst / Para | D/CX | WRX | RDX | D17-8 | D7 | D6 | D5 | D4 | D3 | D2 | D1 | D0 | HEX |
| RDDPM | 0 | ↑ | 1 | - | 0 | 0 | 0 | 0 | 1 | 0 | 1 | 0 | (0Ah) |
| 1 st parameter | 1 | 1 | ↑ | - | - | - | - | - | - | - | - | - | - |
| 2 nd parameter | 1 | 1 | ↑ | - | BSTON | IDMON | PTLON | SLPOUT | NORON | DISON | D1 | D0 | |
| Description | This command indicates the current status of the display as described in the table below: | | | | | | | | | | | | |
| | Bit | | Description | | | | | | | Value | | | |
| | BSTON | | Booster Voltage Status | | | | | | | '1' =Booster on, '0' =Booster off | | | |
| | IDMON | | Idle mode on/off | | | | | | | '1' = Idle Mode On, '0' = Idle Mode Off | | | |
| | PTLON | | Partial mode on/off | | | | | | | '1' =Partial mode on, '0' =Partial mode off, | | | |
| | SLPOUT | | Sleep in/out | | | | | | | '1' =Sleep out, '0' =Sleep in, | | | |
| | NORON | | Display normal mode on/off | | | | | | | '1' = Normal display, '0' = Partial display, | | | |
| | DISON | | Display on/off | | | | | | | '1' =Display on, '0' =Display off, | | | |
| | D1 | | Not Used | | | | | | | "0" | | | |
| | D0 | | Not Used | | | | | | | "0" | | | |
| "- " Don't care | | | | | | | | | | | | | |
| Restriction | | | | | | | | | | | | | |
| Register availability | Status | | | | | | Availability | | | | | | |
| | Normal Mode On, Idle Mode Off, Sleep Out | | | | | | Yes | | | | | | |
| | Normal Mode On, Idle Mode On, Sleep Out | | | | | | Yes | | | | | | |
| | Partial Mode On, Idle Mode Off, Sleep Out | | | | | | Yes | | | | | | |
| | Partial Mode On, Idle Mode On, Sleep Out | | | | | | Yes | | | | | | |
| | Sleep In | | | | | | Yes | | | | | | |

| <p>Default</p> | <table border="1"> <thead> <tr> <th>Status</th> <th>Default Value (D7 to D0)</th> </tr> </thead> <tbody> <tr> <td>Power On Sequence</td> <td>0000-1000(08h)</td> </tr> <tr> <td>S/W Reset</td> <td>0000-1000(08h)</td> </tr> <tr> <td>H/W Reset</td> <td>0000-1000(08h)</td> </tr> </tbody> </table> | Status | Default Value (D7 to D0) | Power On Sequence | 0000-1000(08h) | S/W Reset | 0000-1000(08h) | H/W Reset | 0000-1000(08h) |
|-------------------|---|--------|--------------------------|-------------------|----------------|-----------|----------------|-----------|----------------|
| Status | Default Value (D7 to D0) | | | | | | | | |
| Power On Sequence | 0000-1000(08h) | | | | | | | | |
| S/W Reset | 0000-1000(08h) | | | | | | | | |
| H/W Reset | 0000-1000(08h) | | | | | | | | |
| <p>Flow Chart</p> | <p>The flow chart illustrates the initialization sequence for the ST7789V2 display in two modes: Serial I/F Mode and Parallel I/F Mode. Both modes start with the command RDDPM 0Ah. In Serial I/F Mode, this is followed by sending the 2nd parameter. In Parallel I/F Mode, this is followed by a dummy read (display) and then sending the 2nd parameter. A legend defines the symbols used: Command (trapezoid), Parameter (parallelogram), Display (oval), Action (hexagon), Mode (rounded rectangle), and Sequential transfer (wavy rectangle).</p> | | | | | | | | |

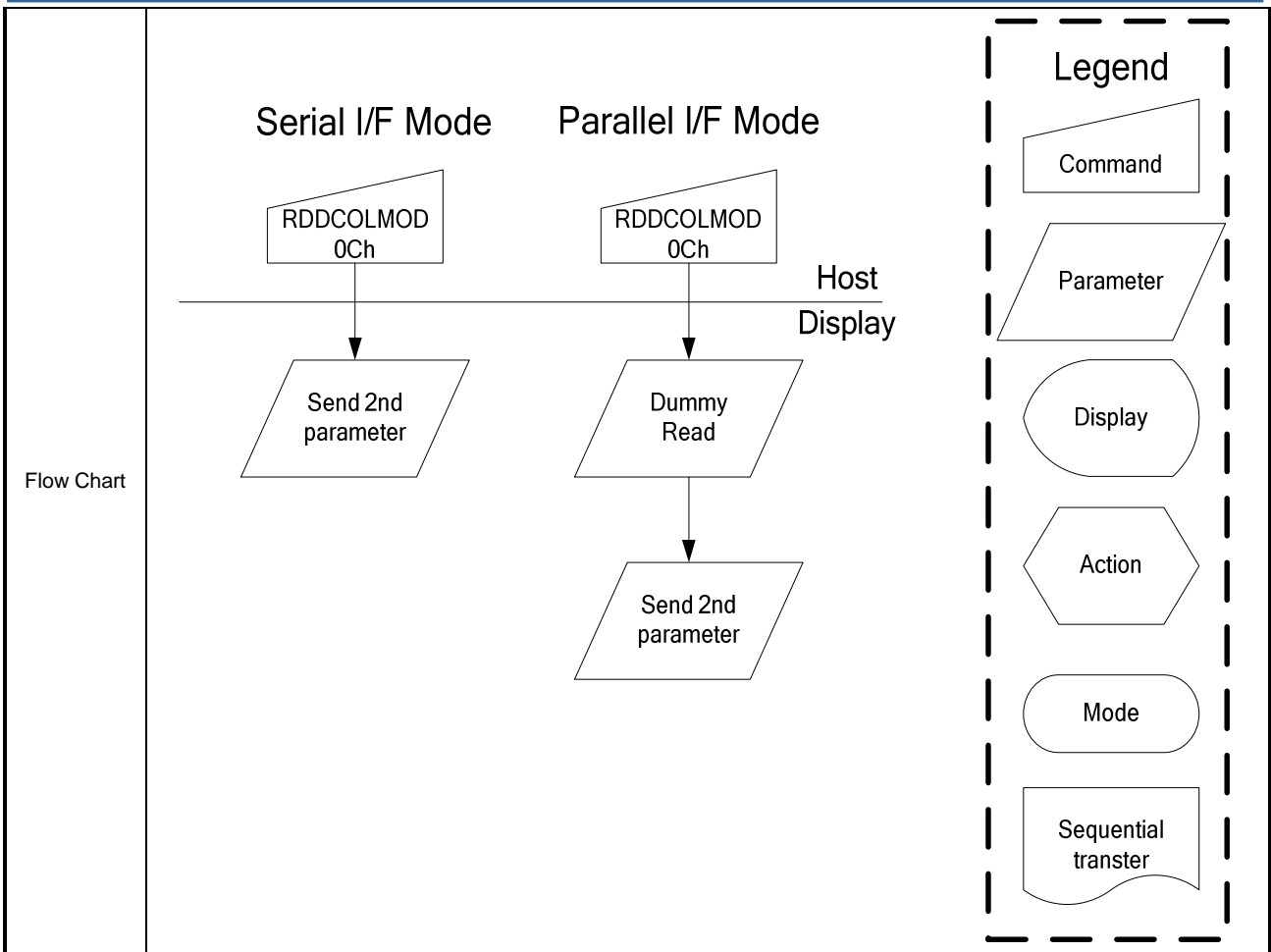
9.1.6 RDDMADCTL (0Bh): Read Display MADCTL

| 0BH | RDDMADCTL (Read Display MADCTL) | | | | | | | | | | | | HEX | | | | | | | | | | | | |
|---------------------------|--|---------------------------|-----|-------|----|----|----|----|-----|----|----|--|-------|--------|--------------|--|-----|---|-----|---|-----|--|-----|----------|-----|
| Inst / Para | D/CX | WRX | RDX | D17-8 | D7 | D6 | D5 | D4 | D3 | D2 | D1 | D0 | HEX | | | | | | | | | | | | |
| RDDMADCTL | 0 | ↑ | 1 | - | 0 | 0 | 0 | 0 | 1 | 0 | 1 | 1 | (0Bh) | | | | | | | | | | | | |
| 1 st parameter | 1 | 1 | ↑ | - | - | - | - | - | - | - | - | - | - | | | | | | | | | | | | |
| 2 nd parameter | 1 | 1 | ↑ | - | MY | MX | MV | ML | RGB | MH | D1 | D0 | | | | | | | | | | | | | |
| Description | This command indicates the current status of the display as described in the table below: | | | | | | | | | | | | | | | | | | | | | | | | |
| | Bit | Description | | | | | | | | | | Value | | | | | | | | | | | | | |
| | MY | Row Address Order (MY) | | | | | | | | | | ‘1’ =Decrement, (Bottom to Top, when MADCTL (36h) D7=‘1’) ‘0’ =Increment, (Top to Bottom, when MADCTL (36h) D7=‘0’) | | | | | | | | | | | | | |
| | MX | Column Address Order (MX) | | | | | | | | | | ‘1’ =Decrement, (Right to Left, when MADCTL (36h) D6=‘1’) ‘0’ =Increment, (Left to Right, when MADCTL (36h) D6=‘1’) | | | | | | | | | | | | | |
| | MV | Row/Column Exchange (MV) | | | | | | | | | | ‘1’ = Row/column exchange, (when MADCTL (36h) D5=‘1’) ‘0’ = Normal, (when MADCTL (36h) D5=‘0’) | | | | | | | | | | | | | |
| | ML | Scan Address Order (ML) | | | | | | | | | | ‘0’ =Decrement, (LCD refresh Top to Bottom, when MADCTL (36h) D4=‘0’) ‘1’=Increment, (LCD refresh Bottom to Top, when MADCTL (36h) D4=‘1’) | | | | | | | | | | | | | |
| | RGB | RGB/ BGR Order (RGB) | | | | | | | | | | ‘1’ =BGR, (When MADCTL (36h) D3=‘1’) ‘0’ =RGB, (When MADCTL (36h) D3=‘0’) | | | | | | | | | | | | | |
| | MH | Horizontal Order | | | | | | | | | | ‘0’ =Decrement, (LCD refresh Left to Right, when MADCTL (36h) D2=‘0’) ‘1’ =Increment, (LCD refresh Right to Left, when MADCTL (36h) D2=‘1’) | | | | | | | | | | | | | |
| | D1 | Not used | | | | | | | | | | ‘0’ | | | | | | | | | | | | | |
| | D0 | Not used | | | | | | | | | | ‘0’ | | | | | | | | | | | | | |
| “-“ Don't care | | | | | | | | | | | | | | | | | | | | | | | | | |
| Restriction | | | | | | | | | | | | | | | | | | | | | | | | | |
| Register availability | <table border="1"> <thead> <tr> <th>Status</th> <th>Availability</th> </tr> </thead> <tbody> <tr> <td>Normal Mode On, Idle Mode Off, Sleep Out</td> <td>Yes</td> </tr> <tr> <td>Normal Mode On, Idle Mode On, Sleep Out</td> <td>Yes</td> </tr> <tr> <td>Partial Mode On, Idle Mode Off, Sleep Out</td> <td>Yes</td> </tr> <tr> <td>Partial Mode On, Idle Mode On, Sleep Out</td> <td>Yes</td> </tr> <tr> <td>Sleep In</td> <td>Yes</td> </tr> </tbody> </table> | | | | | | | | | | | | | Status | Availability | Normal Mode On, Idle Mode Off, Sleep Out | Yes | Normal Mode On, Idle Mode On, Sleep Out | Yes | Partial Mode On, Idle Mode Off, Sleep Out | Yes | Partial Mode On, Idle Mode On, Sleep Out | Yes | Sleep In | Yes |
| | Status | Availability | | | | | | | | | | | | | | | | | | | | | | | |
| | Normal Mode On, Idle Mode Off, Sleep Out | Yes | | | | | | | | | | | | | | | | | | | | | | | |
| | Normal Mode On, Idle Mode On, Sleep Out | Yes | | | | | | | | | | | | | | | | | | | | | | | |
| | Partial Mode On, Idle Mode Off, Sleep Out | Yes | | | | | | | | | | | | | | | | | | | | | | | |
| | Partial Mode On, Idle Mode On, Sleep Out | Yes | | | | | | | | | | | | | | | | | | | | | | | |
| Sleep In | Yes | | | | | | | | | | | | | | | | | | | | | | | | |

| Default | <table border="1"> <thead> <tr> <th data-bbox="438 232 879 282">Status</th> <th data-bbox="879 232 1299 282">Default Value (D7 to D0)</th> </tr> </thead> <tbody> <tr> <td data-bbox="438 282 879 331">Power On Sequence</td> <td data-bbox="879 282 1299 331">0000-0000 (00h)</td> </tr> <tr> <td data-bbox="438 331 879 380">S/W Reset</td> <td data-bbox="879 331 1299 380">No change</td> </tr> <tr> <td data-bbox="438 380 879 430">H/W Reset</td> <td data-bbox="879 380 1299 430">0000-0000 (00h)</td> </tr> </tbody> </table> | Status | Default Value (D7 to D0) | Power On Sequence | 0000-0000 (00h) | S/W Reset | No change | H/W Reset | 0000-0000 (00h) |
|-------------------|---|--------|--------------------------|-------------------|-----------------|-----------|-----------|-----------|-----------------|
| Status | Default Value (D7 to D0) | | | | | | | | |
| Power On Sequence | 0000-0000 (00h) | | | | | | | | |
| S/W Reset | No change | | | | | | | | |
| H/W Reset | 0000-0000 (00h) | | | | | | | | |
| Flow Chart | <div style="display: flex; justify-content: space-around;"> <div style="text-align: center;"> <p>Serial I/F Mode</p>  </div> <div style="text-align: center;"> <p>Parallel I/F Mode</p>  </div> </div> <div style="text-align: right; border: 1px dashed black; padding: 5px; margin-top: 20px;"> <p>Legend</p> <ul style="list-style-type: none">  Command  Parameter  Display  Action  Mode  Sequential transfer </div> | | | | | | | | |

9.1.7 RDDCOLMOD (0Ch): Read Display Pixel Format

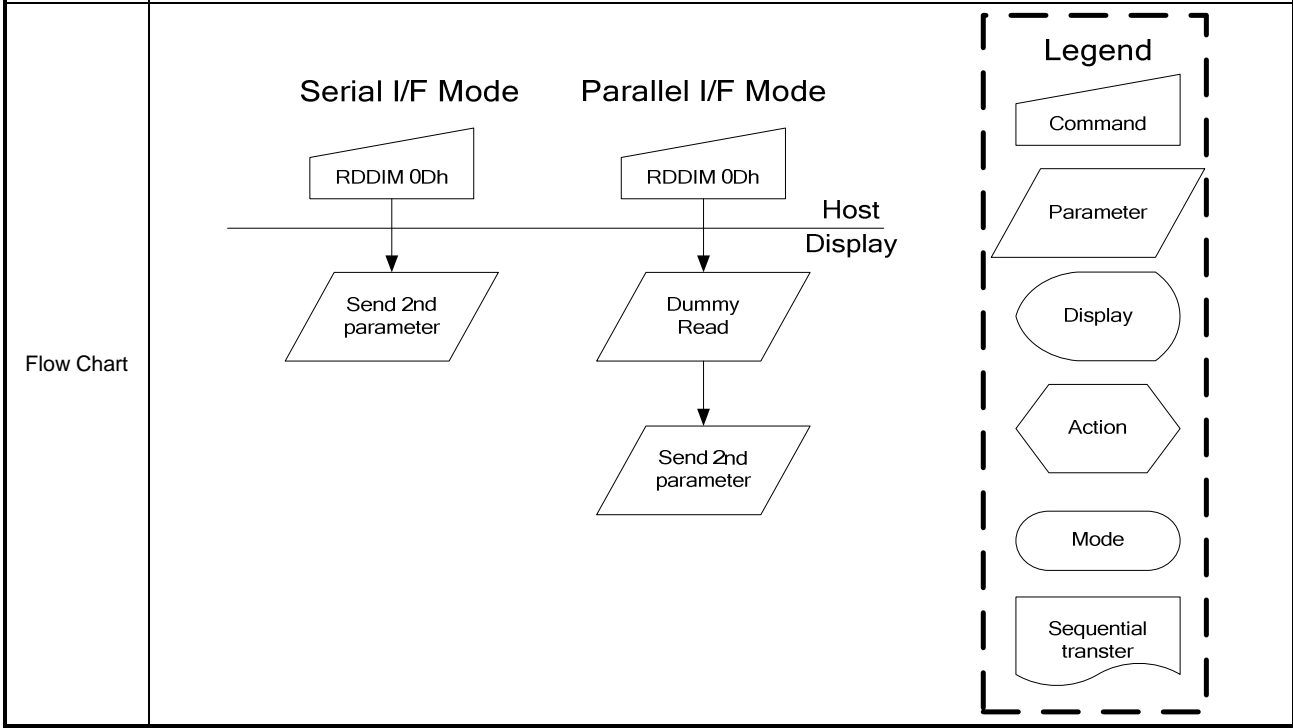
| 0Ch | RDDCOLMOD (Read Display Pixel Format) | | | | | | | | | | | | |
|----------------------------------|---|-----|--------------------------------|-------|----|--------------------------|----|----|----|----|----------------------|----|-------|
| Inst / Para | D/CX | WRX | RDX | D17-8 | D7 | D6 | D5 | D4 | D3 | D2 | D1 | D0 | HEX |
| RDDCOLMOD | 0 | ↑ | 1 | - | 0 | 0 | 0 | 0 | 1 | 1 | 0 | 0 | (0Ch) |
| 1 st parameter | 1 | 1 | ↑ | - | - | - | - | - | - | - | - | - | - |
| 2 nd parameter | 1 | 1 | ↑ | - | 0 | D6 | D5 | D4 | 0 | D2 | D1 | D0 | |
| Description | This command indicates the current status of the display as described in the table below: | | | | | | | | | | | | |
| | Bit | | Description | | | | | | | | Value | | |
| | D7 | | - | | | | | | | | Set to '0' | | |
| | D6 | | RGB interface color format | | | | | | | | '101' = 16 bit/pixel | | |
| | D5 | | | | | | | | | | | | |
| | D4 | | | | | | | | | | Set to '0' | | |
| | D3 | | - | | | | | | | | | | |
| | D2 | | Control interface color format | | | | | | | | '101' = 16 bit/pixel | | |
| | D1 | | | | | | | | | | | | |
| | D0 | | | | | | | | | | Set to '0' | | |
| | | | | | | | | | | | | | |
| Others are no define and invalid | | | | | | | | | | | | | |
| "- " Don't care | | | | | | | | | | | | | |
| Restriction | | | | | | | | | | | | | |
| Register availability | Status | | | | | Availability | | | | | | | |
| | Normal Mode On, Idle Mode Off, Sleep Out | | | | | Yes | | | | | | | |
| | Normal Mode On, Idle Mode On, Sleep Out | | | | | Yes | | | | | | | |
| | Partial Mode On, Idle Mode Off, Sleep Out | | | | | Yes | | | | | | | |
| | Partial Mode On, Idle Mode On, Sleep Out | | | | | Yes | | | | | | | |
| | Sleep In | | | | | Yes | | | | | | | |
| Default | Status | | | | | Default Value | | | | | | | |
| | Power On Sequence | | | | | 0000-0110 (18 bit/pixel) | | | | | | | |
| | S/W Reset | | | | | No change | | | | | | | |
| | H/W Reset | | | | | 0000-0110 (18 bit/pixel) | | | | | | | |



9.1.8 RDDIM (0Dh): Read Display Image Mode

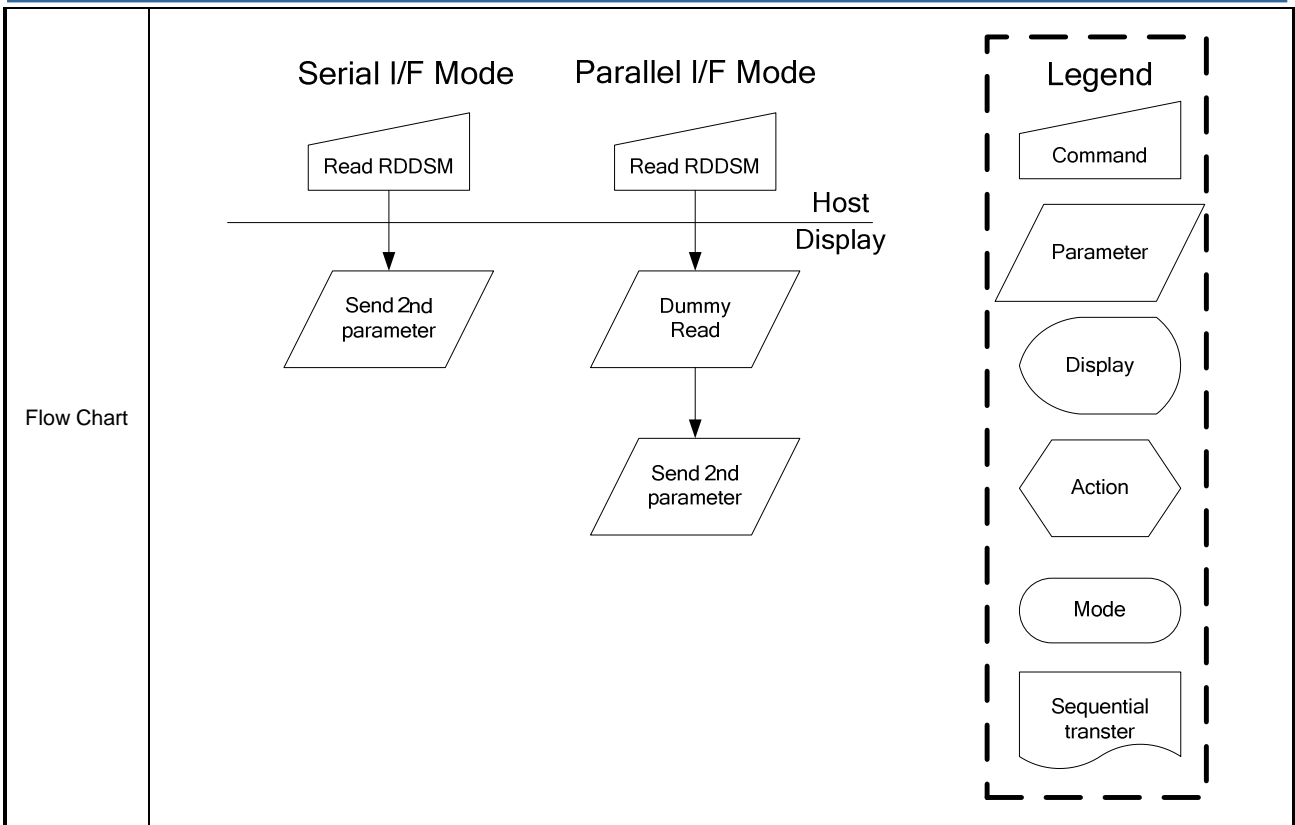
| 0DH | RDDIM (Read Display Image Mode) | | | | | | | | | | | | | | | | | | | | | | | | | | | | | | | | | | | | | | | | | | | | | | | | | | | | | | | | | |
|----------------------------------|---|---------------|-----|-------------|---------------------------|-----|-------|-----|---------------------------|---------------|-----|-----|-------|--------|---------------|--|-----------|---|-----------|---|-----|--|-----|----------|---------------|---|---|---|-----|-------------|---|---|---|-------------|-------------|---|---|---|-------------|-------------|---|---|---|-------------|-------------|---|---|---|-------------|--|--|--|--|--|--|--|--|--|
| Inst / Para | D/CX | WRX | RDX | D17-8 | D7 | D6 | D5 | D4 | D3 | D2 | D1 | D0 | HEX | | | | | | | | | | | | | | | | | | | | | | | | | | | | | | | | | | | | | | | | | | | | | |
| RDDIM | 0 | ↑ | 1 | - | 0 | 0 | 0 | 0 | 1 | 1 | 0 | 1 | (0Dh) | | | | | | | | | | | | | | | | | | | | | | | | | | | | | | | | | | | | | | | | | | | | | |
| 1 st parameter | 1 | 1 | ↑ | - | - | - | - | - | - | - | - | - | - | | | | | | | | | | | | | | | | | | | | | | | | | | | | | | | | | | | | | | | | | | | | | |
| 2 nd parameter | 1 | 1 | ↑ | - | VSSON | 0 | INVON | 0 | 0 | GC2 | GC1 | GC0 | | | | | | | | | | | | | | | | | | | | | | | | | | | | | | | | | | | | | | | | | | | | | | |
| Description | This command indicates the current status of the display as described in the table below: -VSSON: Vertical scrolling on/off -INVON: Inversion on/off | | | | | | | | | | | | | | | | | | | | | | | | | | | | | | | | | | | | | | | | | | | | | | | | | | | | | | | | | |
| | <table border="1"> <thead> <tr> <th>Gamma Curve Selection</th> <th>GC2</th> <th>GC1</th> <th>GC0</th> <th>Gamma set (26h) Parameter</th> </tr> </thead> <tbody> <tr> <td>Gamma curve 1</td> <td>0</td> <td>0</td> <td>0</td> <td>GC0</td> </tr> <tr> <td>Gamma curve 2</td> <td>0</td> <td>0</td> <td>1</td> <td>GC1</td> </tr> <tr> <td>Gamma curve 3</td> <td>0</td> <td>1</td> <td>0</td> <td>GC2</td> </tr> <tr> <td>Gamma curve 4</td> <td>0</td> <td>1</td> <td>1</td> <td>GC3</td> </tr> <tr> <td>Not Defined</td> <td>1</td> <td>0</td> <td>0</td> <td>Not Defined</td> </tr> <tr> <td>Not Defined</td> <td>1</td> <td>0</td> <td>1</td> <td>Not Defined</td> </tr> <tr> <td>Not Defined</td> <td>1</td> <td>1</td> <td>0</td> <td>Not Defined</td> </tr> <tr> <td>Not Defined</td> <td>1</td> <td>1</td> <td>1</td> <td>Not Defined</td> </tr> </tbody> </table> | | | | Gamma Curve Selection | GC2 | GC1 | GC0 | Gamma set (26h) Parameter | Gamma curve 1 | 0 | 0 | 0 | GC0 | Gamma curve 2 | 0 | 0 | 1 | GC1 | Gamma curve 3 | 0 | 1 | 0 | GC2 | Gamma curve 4 | 0 | 1 | 1 | GC3 | Not Defined | 1 | 0 | 0 | Not Defined | Not Defined | 1 | 0 | 1 | Not Defined | Not Defined | 1 | 1 | 0 | Not Defined | Not Defined | 1 | 1 | 1 | Not Defined | | | | | | | | | |
| | Gamma Curve Selection | GC2 | GC1 | GC0 | Gamma set (26h) Parameter | | | | | | | | | | | | | | | | | | | | | | | | | | | | | | | | | | | | | | | | | | | | | | | | | | | | | |
| | Gamma curve 1 | 0 | 0 | 0 | GC0 | | | | | | | | | | | | | | | | | | | | | | | | | | | | | | | | | | | | | | | | | | | | | | | | | | | | | |
| | Gamma curve 2 | 0 | 0 | 1 | GC1 | | | | | | | | | | | | | | | | | | | | | | | | | | | | | | | | | | | | | | | | | | | | | | | | | | | | | |
| | Gamma curve 3 | 0 | 1 | 0 | GC2 | | | | | | | | | | | | | | | | | | | | | | | | | | | | | | | | | | | | | | | | | | | | | | | | | | | | | |
| | Gamma curve 4 | 0 | 1 | 1 | GC3 | | | | | | | | | | | | | | | | | | | | | | | | | | | | | | | | | | | | | | | | | | | | | | | | | | | | | |
| | Not Defined | 1 | 0 | 0 | Not Defined | | | | | | | | | | | | | | | | | | | | | | | | | | | | | | | | | | | | | | | | | | | | | | | | | | | | | |
| | Not Defined | 1 | 0 | 1 | Not Defined | | | | | | | | | | | | | | | | | | | | | | | | | | | | | | | | | | | | | | | | | | | | | | | | | | | | | |
| | Not Defined | 1 | 1 | 0 | Not Defined | | | | | | | | | | | | | | | | | | | | | | | | | | | | | | | | | | | | | | | | | | | | | | | | | | | | | |
| Not Defined | 1 | 1 | 1 | Not Defined | | | | | | | | | | | | | | | | | | | | | | | | | | | | | | | | | | | | | | | | | | | | | | | | | | | | | | |
| Others are no define and invalid | | | | | | | | | | | | | | | | | | | | | | | | | | | | | | | | | | | | | | | | | | | | | | | | | | | | | | | | | | |
| “-“ Don't care | | | | | | | | | | | | | | | | | | | | | | | | | | | | | | | | | | | | | | | | | | | | | | | | | | | | | | | | | | |
| Restriction | | | | | | | | | | | | | | | | | | | | | | | | | | | | | | | | | | | | | | | | | | | | | | | | | | | | | | | | | | |
| Register availability | <table border="1"> <thead> <tr> <th>Status</th> <th>Availability</th> </tr> </thead> <tbody> <tr> <td>Normal Mode On, Idle Mode Off, Sleep Out</td> <td>Yes</td> </tr> <tr> <td>Normal Mode On, Idle Mode On, Sleep Out</td> <td>Yes</td> </tr> <tr> <td>Partial Mode On, Idle Mode Off, Sleep Out</td> <td>Yes</td> </tr> <tr> <td>Partial Mode On, Idle Mode On, Sleep Out</td> <td>Yes</td> </tr> <tr> <td>Sleep In</td> <td>Yes</td> </tr> </tbody> </table> | | | | | | | | | | | | | Status | Availability | Normal Mode On, Idle Mode Off, Sleep Out | Yes | Normal Mode On, Idle Mode On, Sleep Out | Yes | Partial Mode On, Idle Mode Off, Sleep Out | Yes | Partial Mode On, Idle Mode On, Sleep Out | Yes | Sleep In | Yes | | | | | | | | | | | | | | | | | | | | | | | | | | | | | | | | | |
| | Status | Availability | | | | | | | | | | | | | | | | | | | | | | | | | | | | | | | | | | | | | | | | | | | | | | | | | | | | | | | | |
| | Normal Mode On, Idle Mode Off, Sleep Out | Yes | | | | | | | | | | | | | | | | | | | | | | | | | | | | | | | | | | | | | | | | | | | | | | | | | | | | | | | | |
| | Normal Mode On, Idle Mode On, Sleep Out | Yes | | | | | | | | | | | | | | | | | | | | | | | | | | | | | | | | | | | | | | | | | | | | | | | | | | | | | | | | |
| | Partial Mode On, Idle Mode Off, Sleep Out | Yes | | | | | | | | | | | | | | | | | | | | | | | | | | | | | | | | | | | | | | | | | | | | | | | | | | | | | | | | |
| | Partial Mode On, Idle Mode On, Sleep Out | Yes | | | | | | | | | | | | | | | | | | | | | | | | | | | | | | | | | | | | | | | | | | | | | | | | | | | | | | | | |
| Sleep In | Yes | | | | | | | | | | | | | | | | | | | | | | | | | | | | | | | | | | | | | | | | | | | | | | | | | | | | | | | | | |
| Default | <table border="1"> <thead> <tr> <th>Status</th> <th>Default Value</th> </tr> </thead> <tbody> <tr> <td>Power On Sequence</td> <td>0000-0000</td> </tr> <tr> <td>S/W Reset</td> <td>0000-0000</td> </tr> </tbody> </table> | | | | | | | | | | | | | Status | Default Value | Power On Sequence | 0000-0000 | S/W Reset | 0000-0000 | | | | | | | | | | | | | | | | | | | | | | | | | | | | | | | | | | | | | | | |
| | Status | Default Value | | | | | | | | | | | | | | | | | | | | | | | | | | | | | | | | | | | | | | | | | | | | | | | | | | | | | | | | |
| | Power On Sequence | 0000-0000 | | | | | | | | | | | | | | | | | | | | | | | | | | | | | | | | | | | | | | | | | | | | | | | | | | | | | | | | |
| S/W Reset | 0000-0000 | | | | | | | | | | | | | | | | | | | | | | | | | | | | | | | | | | | | | | | | | | | | | | | | | | | | | | | | | |

| | |
|-----------|-----------|
| H/W Reset | 0000-0000 |
|-----------|-----------|



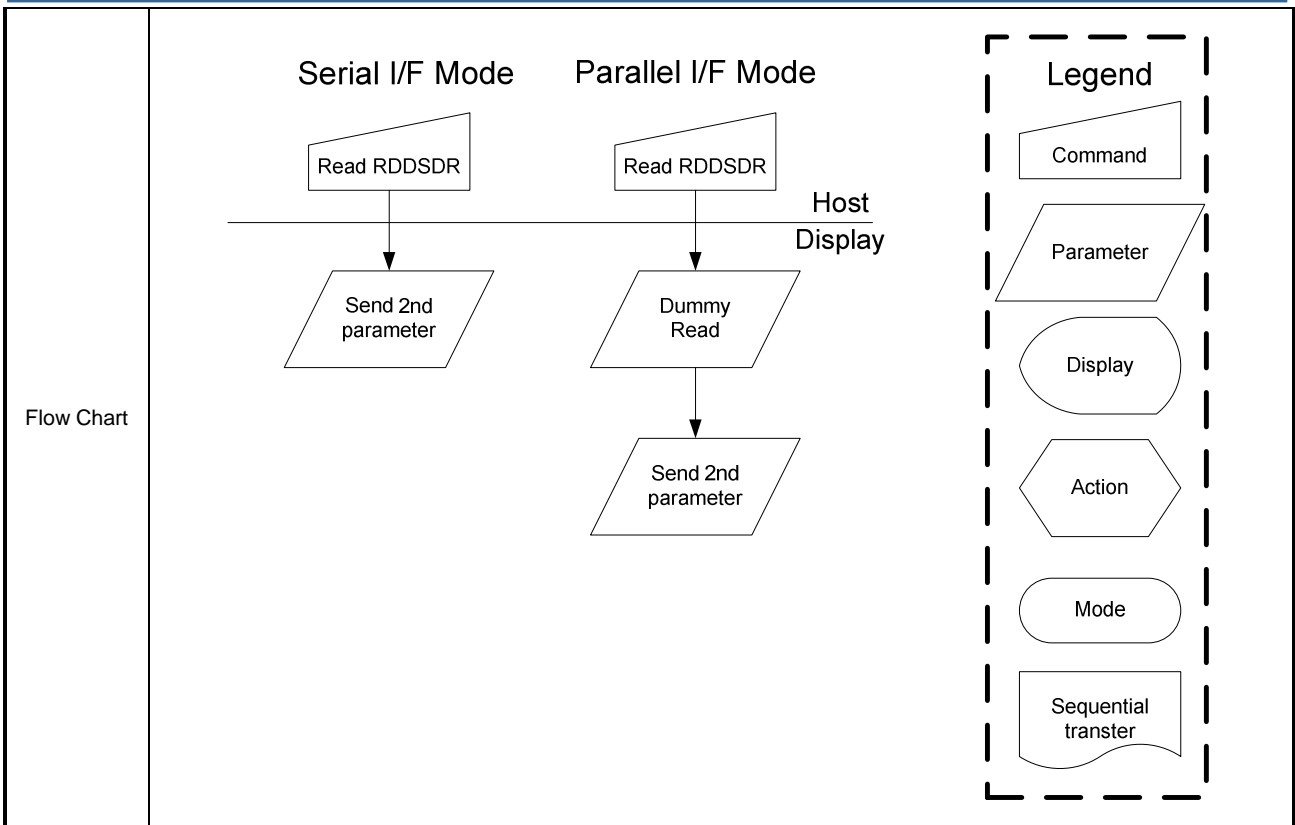
9.1.9 RDDSM (0Eh): Read Display Signal Mode

| 0EH | RDDSM (Read Display Signal Status) | | | | | | | | | | | | HEX | | | | | | | | | | | | |
|---|--|------------------------------|-----|-------|------|-----|----|----|----|----|----|----|-------|--------|---------------|--|-----------|---|-------------------------|---|--------------------------|--|-----|----------|-----|
| Inst / Para | D/CX | WRX | RDX | D17-8 | D7 | D6 | D5 | D4 | D3 | D2 | D1 | D0 | HEX | | | | | | | | | | | | |
| RDDSM | 0 | ↑ | 1 | - | 0 | 0 | 0 | 0 | 1 | 1 | 1 | 0 | (0Eh) | | | | | | | | | | | | |
| 1 st parameter | 1 | 1 | ↑ | - | - | - | - | - | - | - | - | - | - | | | | | | | | | | | | |
| 2 nd parameter | 1 | 1 | ↑ | - | TEON | TEM | 0 | 0 | 0 | 0 | 0 | 0 | - | | | | | | | | | | | | |
| Description | This command indicates the current status of the display as described in the table below: | | | | | | | | | | | | | | | | | | | | | | | | |
| | <table border="1"> <thead> <tr> <th>Bit</th> <th>Description</th> <th>Value</th> </tr> </thead> <tbody> <tr> <td>TEON</td> <td>Tearing effect line on/off</td> <td>'1' = ON, '0' = OFF,</td> </tr> <tr> <td>TEM</td> <td>Tearing effect line mode</td> <td>'1' = mode2, '0' = mode1,</td> </tr> </tbody> </table> | | | | | | | | | | | | | Bit | Description | Value | TEON | Tearing effect line on/off | '1' = ON, '0' = OFF, | TEM | Tearing effect line mode | '1' = mode2, '0' = mode1, | | | |
| Bit | Description | Value | | | | | | | | | | | | | | | | | | | | | | | |
| TEON | Tearing effect line on/off | '1' = ON, '0' = OFF, | | | | | | | | | | | | | | | | | | | | | | | |
| TEM | Tearing effect line mode | '1' = mode2, '0' = mode1, | | | | | | | | | | | | | | | | | | | | | | | |
| "- " Don't care | | | | | | | | | | | | | | | | | | | | | | | | | |
| Restriction | | | | | | | | | | | | | | | | | | | | | | | | | |
| Register availability | <table border="1"> <thead> <tr> <th>Status</th> <th>Availability</th> </tr> </thead> <tbody> <tr> <td>Normal Mode On, Idle Mode Off, Sleep Out</td> <td>Yes</td> </tr> <tr> <td>Normal Mode On, Idle Mode On, Sleep Out</td> <td>Yes</td> </tr> <tr> <td>Partial Mode On, Idle Mode Off, Sleep Out</td> <td>Yes</td> </tr> <tr> <td>Partial Mode On, Idle Mode On, Sleep Out</td> <td>Yes</td> </tr> <tr> <td>Sleep In</td> <td>Yes</td> </tr> </tbody> </table> | | | | | | | | | | | | | Status | Availability | Normal Mode On, Idle Mode Off, Sleep Out | Yes | Normal Mode On, Idle Mode On, Sleep Out | Yes | Partial Mode On, Idle Mode Off, Sleep Out | Yes | Partial Mode On, Idle Mode On, Sleep Out | Yes | Sleep In | Yes |
| | Status | Availability | | | | | | | | | | | | | | | | | | | | | | | |
| Normal Mode On, Idle Mode Off, Sleep Out | Yes | | | | | | | | | | | | | | | | | | | | | | | | |
| Normal Mode On, Idle Mode On, Sleep Out | Yes | | | | | | | | | | | | | | | | | | | | | | | | |
| Partial Mode On, Idle Mode Off, Sleep Out | Yes | | | | | | | | | | | | | | | | | | | | | | | | |
| Partial Mode On, Idle Mode On, Sleep Out | Yes | | | | | | | | | | | | | | | | | | | | | | | | |
| Sleep In | Yes | | | | | | | | | | | | | | | | | | | | | | | | |
| Default | <table border="1"> <thead> <tr> <th>Status</th> <th>Default Value</th> </tr> </thead> <tbody> <tr> <td>Power On Sequence</td> <td>0000-0000</td> </tr> <tr> <td>S/W Reset</td> <td>0000-0000</td> </tr> <tr> <td>H/W Reset</td> <td>0000-0000</td> </tr> </tbody> </table> | | | | | | | | | | | | | Status | Default Value | Power On Sequence | 0000-0000 | S/W Reset | 0000-0000 | H/W Reset | 0000-0000 | | | | |
| Status | Default Value | | | | | | | | | | | | | | | | | | | | | | | | |
| Power On Sequence | 0000-0000 | | | | | | | | | | | | | | | | | | | | | | | | |
| S/W Reset | 0000-0000 | | | | | | | | | | | | | | | | | | | | | | | | |
| H/W Reset | 0000-0000 | | | | | | | | | | | | | | | | | | | | | | | | |



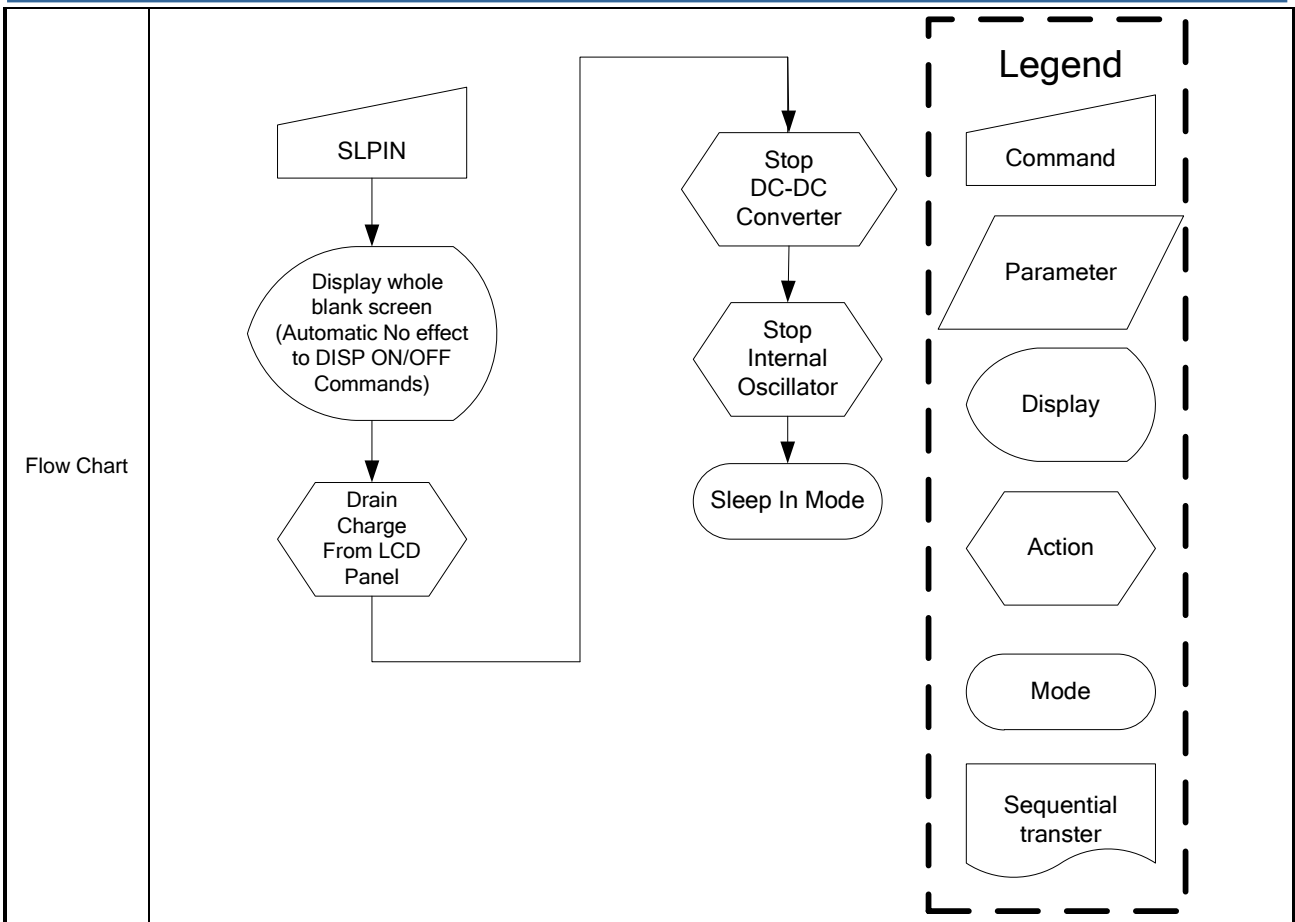
9.1.10 RDDSDR (0Fh): Read Display Self-Diagnostic Result

| 09H | RDDSDR (Read Display Self-Diagnostic Result) | | | | | | | | | | | | | | | | | | | | | | | | |
|---|--|-----|-----|-------|----|----|----|----|----|----|----|----|-------|--------|---------------|--|-----------|---|-----------|---|-----------|--|-----|----------|-----|
| Inst / Para | D/CX | WRX | RDX | D17-8 | D7 | D6 | D5 | D4 | D3 | D2 | D1 | D0 | HEX | | | | | | | | | | | | |
| RDDSDR | 0 | ↑ | 1 | - | 0 | 0 | 0 | 0 | 1 | 1 | 1 | 1 | (0Fh) | | | | | | | | | | | | |
| 1 st parameter | 1 | 1 | ↑ | - | - | - | - | - | - | - | - | - | - | | | | | | | | | | | | |
| 2 nd parameter | 1 | 1 | ↑ | - | D7 | D6 | 0 | 0 | 0 | 0 | 0 | 0 | - | | | | | | | | | | | | |
| Description | This command indicates the current status of the display self-diagnostic result after sleep out command as described below: -D7: Register loading detection -D6: Functionality detection "-" Don't care | | | | | | | | | | | | | | | | | | | | | | | | |
| Restriction | | | | | | | | | | | | | | | | | | | | | | | | | |
| Register availability | <table border="1"> <thead> <tr> <th>Status</th> <th>Availability</th> </tr> </thead> <tbody> <tr> <td>Normal Mode On, Idle Mode Off, Sleep Out</td> <td>Yes</td> </tr> <tr> <td>Normal Mode On, Idle Mode On, Sleep Out</td> <td>Yes</td> </tr> <tr> <td>Partial Mode On, Idle Mode Off, Sleep Out</td> <td>Yes</td> </tr> <tr> <td>Partial Mode On, Idle Mode On, Sleep Out</td> <td>Yes</td> </tr> <tr> <td>Sleep In</td> <td>Yes</td> </tr> </tbody> </table> | | | | | | | | | | | | | Status | Availability | Normal Mode On, Idle Mode Off, Sleep Out | Yes | Normal Mode On, Idle Mode On, Sleep Out | Yes | Partial Mode On, Idle Mode Off, Sleep Out | Yes | Partial Mode On, Idle Mode On, Sleep Out | Yes | Sleep In | Yes |
| Status | Availability | | | | | | | | | | | | | | | | | | | | | | | | |
| Normal Mode On, Idle Mode Off, Sleep Out | Yes | | | | | | | | | | | | | | | | | | | | | | | | |
| Normal Mode On, Idle Mode On, Sleep Out | Yes | | | | | | | | | | | | | | | | | | | | | | | | |
| Partial Mode On, Idle Mode Off, Sleep Out | Yes | | | | | | | | | | | | | | | | | | | | | | | | |
| Partial Mode On, Idle Mode On, Sleep Out | Yes | | | | | | | | | | | | | | | | | | | | | | | | |
| Sleep In | Yes | | | | | | | | | | | | | | | | | | | | | | | | |
| Default | <table border="1"> <thead> <tr> <th>Status</th> <th>Default Value</th> </tr> </thead> <tbody> <tr> <td>Power On Sequence</td> <td>0000-0000</td> </tr> <tr> <td>S/W Reset</td> <td>0000-0000</td> </tr> <tr> <td>H/W Reset</td> <td>0000-0000</td> </tr> </tbody> </table> | | | | | | | | | | | | | Status | Default Value | Power On Sequence | 0000-0000 | S/W Reset | 0000-0000 | H/W Reset | 0000-0000 | | | | |
| Status | Default Value | | | | | | | | | | | | | | | | | | | | | | | | |
| Power On Sequence | 0000-0000 | | | | | | | | | | | | | | | | | | | | | | | | |
| S/W Reset | 0000-0000 | | | | | | | | | | | | | | | | | | | | | | | | |
| H/W Reset | 0000-0000 | | | | | | | | | | | | | | | | | | | | | | | | |



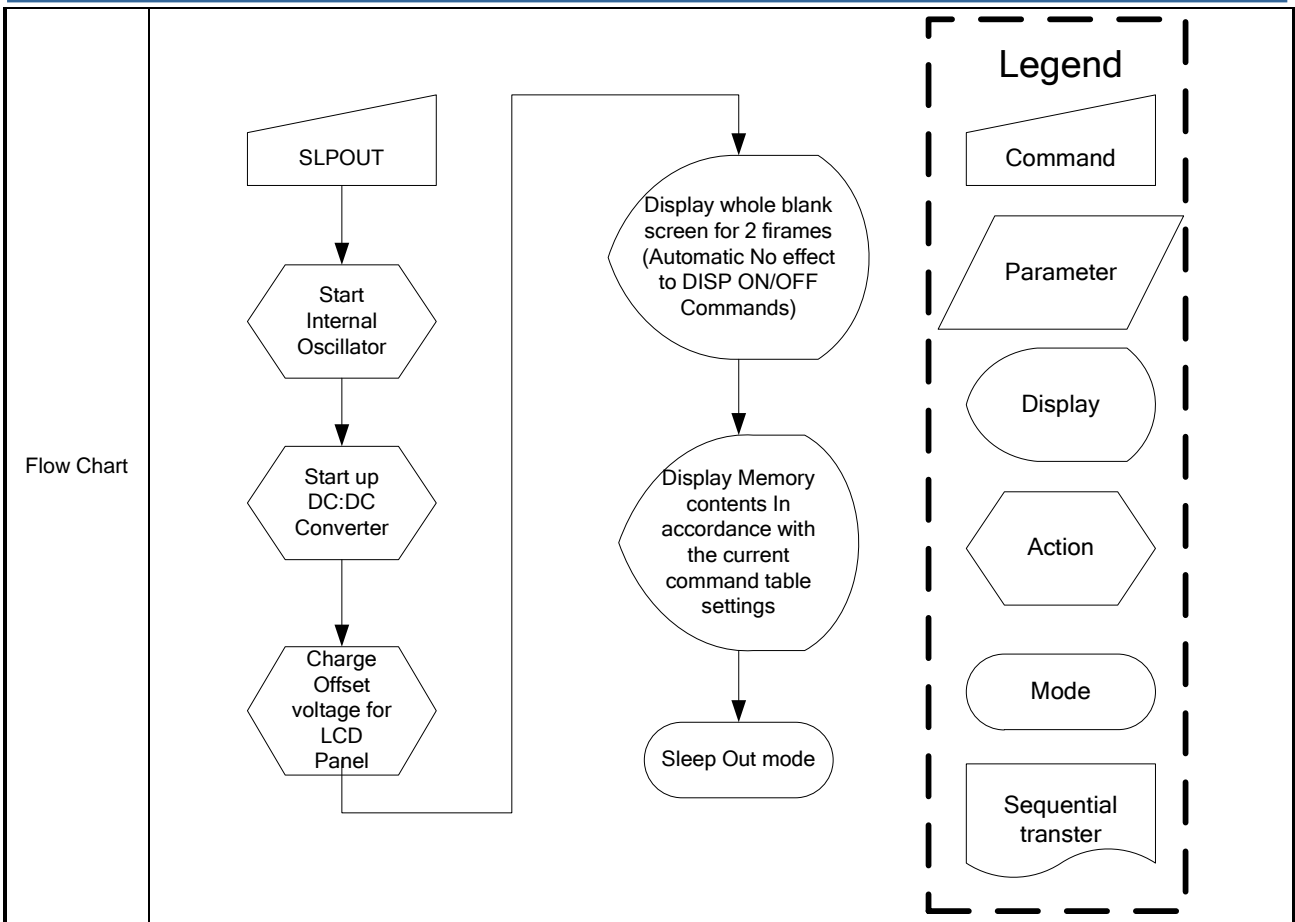
9.1.11 SLPIN (10h): Sleep in

| 10H | SLPIN (Sleep In) | | | | | | | | | | | | | | | | | | | | | | | | |
|---|---|-----|-----|-------|----|----|----|----|----|----|----|----|-------|--------|---------------|--|---------------|---|---------------|---|---------------|--|-----|----------|-----|
| Inst / Para | D/CX | WRX | RDX | D17-8 | D7 | D6 | D5 | D4 | D3 | D2 | D1 | D0 | HEX | | | | | | | | | | | | |
| SLPIN | 0 | ↑ | 1 | - | 0 | 0 | 0 | 1 | 0 | 0 | 0 | 0 | (10h) | | | | | | | | | | | | |
| parameter | No Parameter | | | | | | | | | | | | | | | | | | | | | | | | |
| Description | -This command causes the LCD module to enter the minimum power consumption mode. -In this mode the DC/DC converter is stopped, internal oscillator is stopped, and panel scanning is stopped. -MCU interface and memory are still working and the memory keeps its contents. "- Don't care | | | | | | | | | | | | | | | | | | | | | | | | |
| Restriction | -This command has no effect when module is already in sleep in mode. Sleep in mode can only be left by the sleep out command (11h). -It will be necessary to wait 5msec before sending any new commands to a display module following this command to allow time for the supply voltages and clock circuits to stabilize. -It will be necessary to wait 120msec after sending sleep out command (when in sleep in mode) before sending an sleep in command. | | | | | | | | | | | | | | | | | | | | | | | | |
| Register availability | <table border="1"> <thead> <tr> <th>Status</th> <th>Availability</th> </tr> </thead> <tbody> <tr> <td>Normal Mode On, Idle Mode Off, Sleep Out</td> <td>Yes</td> </tr> <tr> <td>Normal Mode On, Idle Mode On, Sleep Out</td> <td>Yes</td> </tr> <tr> <td>Partial Mode On, Idle Mode Off, Sleep Out</td> <td>Yes</td> </tr> <tr> <td>Partial Mode On, Idle Mode On, Sleep Out</td> <td>Yes</td> </tr> <tr> <td>Sleep In</td> <td>Yes</td> </tr> </tbody> </table> | | | | | | | | | | | | | Status | Availability | Normal Mode On, Idle Mode Off, Sleep Out | Yes | Normal Mode On, Idle Mode On, Sleep Out | Yes | Partial Mode On, Idle Mode Off, Sleep Out | Yes | Partial Mode On, Idle Mode On, Sleep Out | Yes | Sleep In | Yes |
| Status | Availability | | | | | | | | | | | | | | | | | | | | | | | | |
| Normal Mode On, Idle Mode Off, Sleep Out | Yes | | | | | | | | | | | | | | | | | | | | | | | | |
| Normal Mode On, Idle Mode On, Sleep Out | Yes | | | | | | | | | | | | | | | | | | | | | | | | |
| Partial Mode On, Idle Mode Off, Sleep Out | Yes | | | | | | | | | | | | | | | | | | | | | | | | |
| Partial Mode On, Idle Mode On, Sleep Out | Yes | | | | | | | | | | | | | | | | | | | | | | | | |
| Sleep In | Yes | | | | | | | | | | | | | | | | | | | | | | | | |
| Default | <table border="1"> <thead> <tr> <th>Status</th> <th>Default Value</th> </tr> </thead> <tbody> <tr> <td>Power On Sequence</td> <td>Sleep in mode</td> </tr> <tr> <td>S/W Reset</td> <td>Sleep in mode</td> </tr> <tr> <td>H/W Reset</td> <td>Sleep in mode</td> </tr> </tbody> </table> | | | | | | | | | | | | | Status | Default Value | Power On Sequence | Sleep in mode | S/W Reset | Sleep in mode | H/W Reset | Sleep in mode | | | | |
| Status | Default Value | | | | | | | | | | | | | | | | | | | | | | | | |
| Power On Sequence | Sleep in mode | | | | | | | | | | | | | | | | | | | | | | | | |
| S/W Reset | Sleep in mode | | | | | | | | | | | | | | | | | | | | | | | | |
| H/W Reset | Sleep in mode | | | | | | | | | | | | | | | | | | | | | | | | |



9.1.12 SLPOUT (11h): Sleep Out

| 11H | SLPOUT (Sleep Out) | | | | | | | | | | | | | | | | | | | | | | | | |
|---|--|-----|-----|-------|----|----|----|----|----|----|----|----|-------|--------|---------------|--|---------------|---|---------------|---|---------------|--|-----|----------|-----|
| Inst / Para | D/CX | WRX | RDX | D17-8 | D7 | D6 | D5 | D4 | D3 | D2 | D1 | D0 | HEX | | | | | | | | | | | | |
| SLPOUT | 0 | ↑ | 1 | - | 0 | 0 | 0 | 1 | 0 | 0 | 0 | 1 | (11h) | | | | | | | | | | | | |
| parameter | No Parameter | | | | | | | | | | | | | | | | | | | | | | | | |
| Description | -This command turn off sleep mode. -In this mode the DC/DC converter is enable, internal display oscillator is started, and panel scanning is started. | | | | | | | | | | | | | | | | | | | | | | | | |
| Restriction | -This command has no effect when module is already in sleep out mode. Sleep out mode can only be left by the sleep in command (10h). -It will be necessary to wait 5msec before sending any new commands to a display module following this command to allow time for the supply voltages and clock circuits to stabilize. -It will be necessary to wait 120msec after sending sleep out command (when in sleep in mode) before sending an sleep in command. -The display module runs the self-diagnostic functions after this command is received. | | | | | | | | | | | | | | | | | | | | | | | | |
| Register availability | <table border="1"> <thead> <tr> <th>Status</th> <th>Availability</th> </tr> </thead> <tbody> <tr> <td>Normal Mode On, Idle Mode Off, Sleep Out</td> <td>Yes</td> </tr> <tr> <td>Normal Mode On, Idle Mode On, Sleep Out</td> <td>Yes</td> </tr> <tr> <td>Partial Mode On, Idle Mode Off, Sleep Out</td> <td>Yes</td> </tr> <tr> <td>Partial Mode On, Idle Mode On, Sleep Out</td> <td>Yes</td> </tr> <tr> <td>Sleep In</td> <td>Yes</td> </tr> </tbody> </table> | | | | | | | | | | | | | Status | Availability | Normal Mode On, Idle Mode Off, Sleep Out | Yes | Normal Mode On, Idle Mode On, Sleep Out | Yes | Partial Mode On, Idle Mode Off, Sleep Out | Yes | Partial Mode On, Idle Mode On, Sleep Out | Yes | Sleep In | Yes |
| Status | Availability | | | | | | | | | | | | | | | | | | | | | | | | |
| Normal Mode On, Idle Mode Off, Sleep Out | Yes | | | | | | | | | | | | | | | | | | | | | | | | |
| Normal Mode On, Idle Mode On, Sleep Out | Yes | | | | | | | | | | | | | | | | | | | | | | | | |
| Partial Mode On, Idle Mode Off, Sleep Out | Yes | | | | | | | | | | | | | | | | | | | | | | | | |
| Partial Mode On, Idle Mode On, Sleep Out | Yes | | | | | | | | | | | | | | | | | | | | | | | | |
| Sleep In | Yes | | | | | | | | | | | | | | | | | | | | | | | | |
| Default | <table border="1"> <thead> <tr> <th>Status</th> <th>Default Value</th> </tr> </thead> <tbody> <tr> <td>Power On Sequence</td> <td>Sleep in mode</td> </tr> <tr> <td>S/W Reset</td> <td>Sleep in mode</td> </tr> <tr> <td>H/W Reset</td> <td>Sleep in mode</td> </tr> </tbody> </table> | | | | | | | | | | | | | Status | Default Value | Power On Sequence | Sleep in mode | S/W Reset | Sleep in mode | H/W Reset | Sleep in mode | | | | |
| Status | Default Value | | | | | | | | | | | | | | | | | | | | | | | | |
| Power On Sequence | Sleep in mode | | | | | | | | | | | | | | | | | | | | | | | | |
| S/W Reset | Sleep in mode | | | | | | | | | | | | | | | | | | | | | | | | |
| H/W Reset | Sleep in mode | | | | | | | | | | | | | | | | | | | | | | | | |



9.1.13 PTLON (12h): Partial Display Mode On

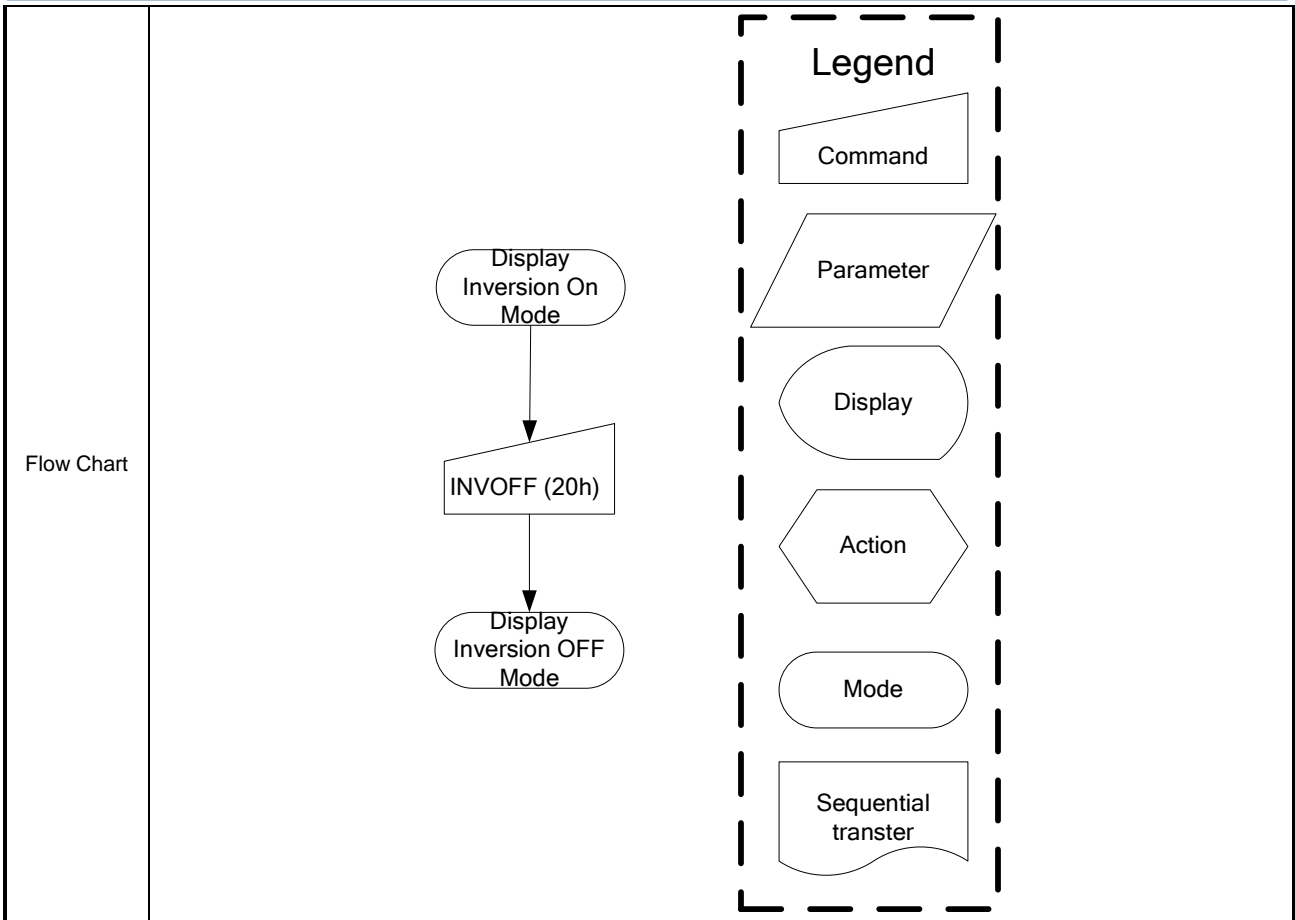
| 12H | PTLON (Partial Display Mode On) | | | | | | | | | | | | | | | | | | | | | | | | |
|---|--|-----|-----|-------|----|----|----|----|----|----|----|----|-------|--------|---------------|--|------------------------|---|------------------------|---|------------------------|--|-----|----------|-----|
| Inst / Para | D/CX | WRX | RDX | D17-8 | D7 | D6 | D5 | D4 | D3 | D2 | D1 | D0 | HEX | | | | | | | | | | | | |
| PTLON | 0 | ↑ | 1 | - | 0 | 0 | 0 | 1 | 0 | 0 | 1 | 0 | (12h) | | | | | | | | | | | | |
| parameter | No Parameter | | | | | | | | | | | | | | | | | | | | | | | | |
| Description | -This command turns on Partial mode. The partial mode window is described by the Partial Area command (30h) -To leave Partial mode, the Normal Display Mode On command (13h) should be written. "- Don't care | | | | | | | | | | | | | | | | | | | | | | | | |
| Restriction | This command has no effect when partial mode is active. | | | | | | | | | | | | | | | | | | | | | | | | |
| Register availability | <table border="1"> <thead> <tr> <th>Status</th> <th>Availability</th> </tr> </thead> <tbody> <tr> <td>Normal Mode On, Idle Mode Off, Sleep Out</td> <td>Yes</td> </tr> <tr> <td>Normal Mode On, Idle Mode On, Sleep Out</td> <td>Yes</td> </tr> <tr> <td>Partial Mode On, Idle Mode Off, Sleep Out</td> <td>Yes</td> </tr> <tr> <td>Partial Mode On, Idle Mode On, Sleep Out</td> <td>Yes</td> </tr> <tr> <td>Sleep In</td> <td>Yes</td> </tr> </tbody> </table> | | | | | | | | | | | | | Status | Availability | Normal Mode On, Idle Mode Off, Sleep Out | Yes | Normal Mode On, Idle Mode On, Sleep Out | Yes | Partial Mode On, Idle Mode Off, Sleep Out | Yes | Partial Mode On, Idle Mode On, Sleep Out | Yes | Sleep In | Yes |
| Status | Availability | | | | | | | | | | | | | | | | | | | | | | | | |
| Normal Mode On, Idle Mode Off, Sleep Out | Yes | | | | | | | | | | | | | | | | | | | | | | | | |
| Normal Mode On, Idle Mode On, Sleep Out | Yes | | | | | | | | | | | | | | | | | | | | | | | | |
| Partial Mode On, Idle Mode Off, Sleep Out | Yes | | | | | | | | | | | | | | | | | | | | | | | | |
| Partial Mode On, Idle Mode On, Sleep Out | Yes | | | | | | | | | | | | | | | | | | | | | | | | |
| Sleep In | Yes | | | | | | | | | | | | | | | | | | | | | | | | |
| Default | <table border="1"> <thead> <tr> <th>Status</th> <th>Default Value</th> </tr> </thead> <tbody> <tr> <td>Power On Sequence</td> <td>Normal display mode on</td> </tr> <tr> <td>S/W Reset</td> <td>Normal display mode on</td> </tr> <tr> <td>H/W Reset</td> <td>Normal display mode on</td> </tr> </tbody> </table> | | | | | | | | | | | | | Status | Default Value | Power On Sequence | Normal display mode on | S/W Reset | Normal display mode on | H/W Reset | Normal display mode on | | | | |
| Status | Default Value | | | | | | | | | | | | | | | | | | | | | | | | |
| Power On Sequence | Normal display mode on | | | | | | | | | | | | | | | | | | | | | | | | |
| S/W Reset | Normal display mode on | | | | | | | | | | | | | | | | | | | | | | | | |
| H/W Reset | Normal display mode on | | | | | | | | | | | | | | | | | | | | | | | | |
| Flow Chart | See Partial Area (30h) | | | | | | | | | | | | | | | | | | | | | | | | |

9.1.14 NORON (13h): Normal Display Mode On

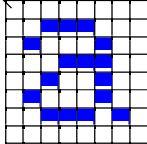
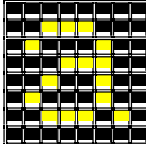
| 12H | NORON (Normal Display Mode On) | | | | | | | | | | | | | | | | | | | | | | | | |
|---|--|-----|-----|-------|----|----|----|----|----|----|----|----|-------|--------|---------------|--|------------------------|---|------------------------|---|------------------------|--|-----|----------|-----|
| Inst / Para | D/CX | WRX | RDX | D17-8 | D7 | D6 | D5 | D4 | D3 | D2 | D1 | D0 | HEX | | | | | | | | | | | | |
| NORON | 0 | ↑ | 1 | - | 0 | 0 | 0 | 1 | 0 | 0 | 1 | 1 | (13h) | | | | | | | | | | | | |
| parameter | No Parameter | | | | | | | | | | | | | | | | | | | | | | | | |
| Description | -This command turns the display to normal mode. -Normal display mode on means partial mode off. -Exit from NORON by the partial mode on command. "-" Don't care | | | | | | | | | | | | | | | | | | | | | | | | |
| Restriction | This command has no effect when normal display mode is active. | | | | | | | | | | | | | | | | | | | | | | | | |
| Register availability | <table border="1"> <thead> <tr> <th>Status</th> <th>Availability</th> </tr> </thead> <tbody> <tr> <td>Normal Mode On, Idle Mode Off, Sleep Out</td> <td>Yes</td> </tr> <tr> <td>Normal Mode On, Idle Mode On, Sleep Out</td> <td>Yes</td> </tr> <tr> <td>Partial Mode On, Idle Mode Off, Sleep Out</td> <td>Yes</td> </tr> <tr> <td>Partial Mode On, Idle Mode On, Sleep Out</td> <td>Yes</td> </tr> <tr> <td>Sleep In</td> <td>Yes</td> </tr> </tbody> </table> | | | | | | | | | | | | | Status | Availability | Normal Mode On, Idle Mode Off, Sleep Out | Yes | Normal Mode On, Idle Mode On, Sleep Out | Yes | Partial Mode On, Idle Mode Off, Sleep Out | Yes | Partial Mode On, Idle Mode On, Sleep Out | Yes | Sleep In | Yes |
| Status | Availability | | | | | | | | | | | | | | | | | | | | | | | | |
| Normal Mode On, Idle Mode Off, Sleep Out | Yes | | | | | | | | | | | | | | | | | | | | | | | | |
| Normal Mode On, Idle Mode On, Sleep Out | Yes | | | | | | | | | | | | | | | | | | | | | | | | |
| Partial Mode On, Idle Mode Off, Sleep Out | Yes | | | | | | | | | | | | | | | | | | | | | | | | |
| Partial Mode On, Idle Mode On, Sleep Out | Yes | | | | | | | | | | | | | | | | | | | | | | | | |
| Sleep In | Yes | | | | | | | | | | | | | | | | | | | | | | | | |
| Default | <table border="1"> <thead> <tr> <th>Status</th> <th>Default Value</th> </tr> </thead> <tbody> <tr> <td>Power On Sequence</td> <td>Normal display mode on</td> </tr> <tr> <td>S/W Reset</td> <td>Normal display mode on</td> </tr> <tr> <td>H/W Reset</td> <td>Normal display mode on</td> </tr> </tbody> </table> | | | | | | | | | | | | | Status | Default Value | Power On Sequence | Normal display mode on | S/W Reset | Normal display mode on | H/W Reset | Normal display mode on | | | | |
| Status | Default Value | | | | | | | | | | | | | | | | | | | | | | | | |
| Power On Sequence | Normal display mode on | | | | | | | | | | | | | | | | | | | | | | | | |
| S/W Reset | Normal display mode on | | | | | | | | | | | | | | | | | | | | | | | | |
| H/W Reset | Normal display mode on | | | | | | | | | | | | | | | | | | | | | | | | |
| Flow Chart | See partial area description for details of when to use this command. | | | | | | | | | | | | | | | | | | | | | | | | |

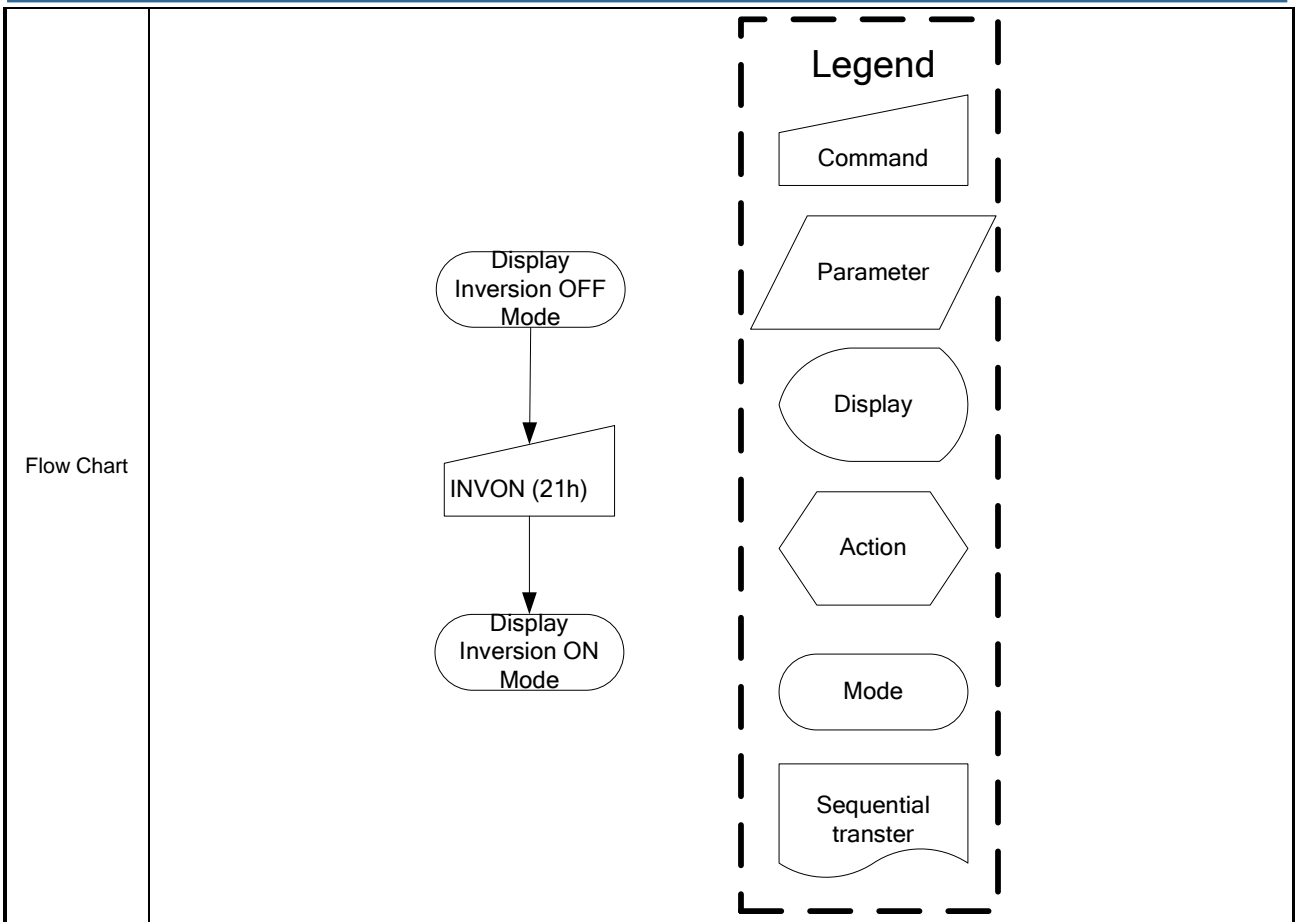
9.1.15 INVOFF (20h): Display Inversion Off

| 20H | INVOFF (Display Inversion Off) | | | | | | | | | | | | HEX | | | | | | | | | | | | |
|---|--|-----|-----|-------|----|----|----|----|----|----|----|----|-------|--------|---------------|--|-----------------------|---|-----------------------|---|-----------------------|--|-----|----------|-----|
| Inst / Para | D/CX | WRX | RDX | D17-8 | D7 | D6 | D5 | D4 | D3 | D2 | D1 | D0 | HEX | | | | | | | | | | | | |
| INVOFF | 0 | ↑ | 1 | - | 0 | 0 | 1 | 0 | 0 | 0 | 0 | 0 | (20h) | | | | | | | | | | | | |
| parameter | No Parameter | | | | | | | | | | | | | | | | | | | | | | | | |
| Description | <p>-This command is used to recover from display inversion mode. "- Don't care</p> <p style="text-align: center;">(Example)</p> <div style="display: flex; justify-content: space-around; align-items: center;"> <div style="text-align: center;"> <p>Top-Left t (0,0)</p> <p>Memory</p> </div> <div style="font-size: 2em;">→</div> <div style="text-align: center;"> <p>Display</p> </div> </div> | | | | | | | | | | | | | | | | | | | | | | | | |
| Restriction | This command has no effect when module is already in inversion off mode. | | | | | | | | | | | | | | | | | | | | | | | | |
| Register availability | <table border="1" style="width: 100%; border-collapse: collapse; text-align: center;"> <thead> <tr> <th style="width: 50%;">Status</th> <th style="width: 50%;">Availability</th> </tr> </thead> <tbody> <tr> <td>Normal Mode On, Idle Mode Off, Sleep Out</td> <td>Yes</td> </tr> <tr> <td>Normal Mode On, Idle Mode On, Sleep Out</td> <td>Yes</td> </tr> <tr> <td>Partial Mode On, Idle Mode Off, Sleep Out</td> <td>Yes</td> </tr> <tr> <td>Partial Mode On, Idle Mode On, Sleep Out</td> <td>Yes</td> </tr> <tr> <td>Sleep In</td> <td>Yes</td> </tr> </tbody> </table> | | | | | | | | | | | | | Status | Availability | Normal Mode On, Idle Mode Off, Sleep Out | Yes | Normal Mode On, Idle Mode On, Sleep Out | Yes | Partial Mode On, Idle Mode Off, Sleep Out | Yes | Partial Mode On, Idle Mode On, Sleep Out | Yes | Sleep In | Yes |
| Status | Availability | | | | | | | | | | | | | | | | | | | | | | | | |
| Normal Mode On, Idle Mode Off, Sleep Out | Yes | | | | | | | | | | | | | | | | | | | | | | | | |
| Normal Mode On, Idle Mode On, Sleep Out | Yes | | | | | | | | | | | | | | | | | | | | | | | | |
| Partial Mode On, Idle Mode Off, Sleep Out | Yes | | | | | | | | | | | | | | | | | | | | | | | | |
| Partial Mode On, Idle Mode On, Sleep Out | Yes | | | | | | | | | | | | | | | | | | | | | | | | |
| Sleep In | Yes | | | | | | | | | | | | | | | | | | | | | | | | |
| Default | <table border="1" style="width: 100%; border-collapse: collapse; text-align: center;"> <thead> <tr> <th style="width: 50%;">Status</th> <th style="width: 50%;">Default Value</th> </tr> </thead> <tbody> <tr> <td>Power On Sequence</td> <td>Display inversion off</td> </tr> <tr> <td>S/W Reset</td> <td>Display inversion off</td> </tr> <tr> <td>H/W Reset</td> <td>Display inversion off</td> </tr> </tbody> </table> | | | | | | | | | | | | | Status | Default Value | Power On Sequence | Display inversion off | S/W Reset | Display inversion off | H/W Reset | Display inversion off | | | | |
| Status | Default Value | | | | | | | | | | | | | | | | | | | | | | | | |
| Power On Sequence | Display inversion off | | | | | | | | | | | | | | | | | | | | | | | | |
| S/W Reset | Display inversion off | | | | | | | | | | | | | | | | | | | | | | | | |
| H/W Reset | Display inversion off | | | | | | | | | | | | | | | | | | | | | | | | |



9.1.16 INVON (21h): Display Inversion On

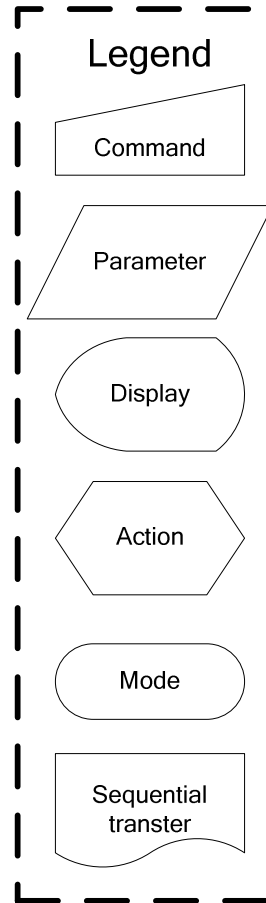
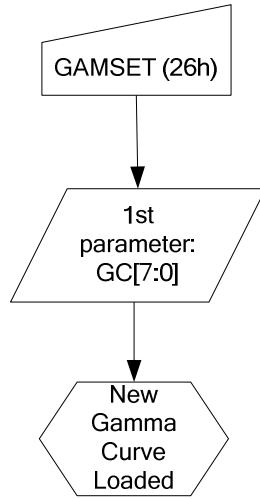
| 21H | INVON (Display Inversion On) | | | | | | | | | | | | HEX | | | | | | | | | | | | |
|---|--|-----|-----|-------|----|----|----|----|----|----|----|----|-------|--------|---------------|--|-----------------------|---|-----------------------|---|-----------------------|--|-----|----------|-----|
| Inst / Para | D/CX | WRX | RDX | D17-8 | D7 | D6 | D5 | D4 | D3 | D2 | D1 | D0 | HEX | | | | | | | | | | | | |
| INVON | 0 | ↑ | 1 | - | 0 | 0 | 1 | 0 | 0 | 0 | 0 | 1 | (21h) | | | | | | | | | | | | |
| parameter | No Parameter | | | | | | | | | | | | | | | | | | | | | | | | |
| Description | <p>-This command is used to recover from display inversion mode. "- Don't care</p> <p style="text-align: center;">(Example)</p> <div style="display: flex; justify-content: space-around; align-items: center;"> <div style="text-align: center;"> <p>Top-Left (0,0)</p>  <p>Memory</p> </div> <div style="font-size: 2em;">→</div> <div style="text-align: center;">  <p>Display</p> </div> </div> | | | | | | | | | | | | | | | | | | | | | | | | |
| Restriction | This command has no effect when module is already in inversion on mode. | | | | | | | | | | | | | | | | | | | | | | | | |
| Register availability | <table border="1" style="width: 100%; border-collapse: collapse; text-align: center;"> <thead> <tr> <th style="width: 50%;">Status</th> <th style="width: 50%;">Availability</th> </tr> </thead> <tbody> <tr> <td>Normal Mode On, Idle Mode Off, Sleep Out</td> <td>Yes</td> </tr> <tr> <td>Normal Mode On, Idle Mode On, Sleep Out</td> <td>Yes</td> </tr> <tr> <td>Partial Mode On, Idle Mode Off, Sleep Out</td> <td>Yes</td> </tr> <tr> <td>Partial Mode On, Idle Mode On, Sleep Out</td> <td>Yes</td> </tr> <tr> <td>Sleep In</td> <td>Yes</td> </tr> </tbody> </table> | | | | | | | | | | | | | Status | Availability | Normal Mode On, Idle Mode Off, Sleep Out | Yes | Normal Mode On, Idle Mode On, Sleep Out | Yes | Partial Mode On, Idle Mode Off, Sleep Out | Yes | Partial Mode On, Idle Mode On, Sleep Out | Yes | Sleep In | Yes |
| Status | Availability | | | | | | | | | | | | | | | | | | | | | | | | |
| Normal Mode On, Idle Mode Off, Sleep Out | Yes | | | | | | | | | | | | | | | | | | | | | | | | |
| Normal Mode On, Idle Mode On, Sleep Out | Yes | | | | | | | | | | | | | | | | | | | | | | | | |
| Partial Mode On, Idle Mode Off, Sleep Out | Yes | | | | | | | | | | | | | | | | | | | | | | | | |
| Partial Mode On, Idle Mode On, Sleep Out | Yes | | | | | | | | | | | | | | | | | | | | | | | | |
| Sleep In | Yes | | | | | | | | | | | | | | | | | | | | | | | | |
| Default | <table border="1" style="width: 100%; border-collapse: collapse; text-align: center;"> <thead> <tr> <th style="width: 50%;">Status</th> <th style="width: 50%;">Default Value</th> </tr> </thead> <tbody> <tr> <td>Power On Sequence</td> <td>Display inversion off</td> </tr> <tr> <td>S/W Reset</td> <td>Display inversion off</td> </tr> <tr> <td>H/W Reset</td> <td>Display inversion off</td> </tr> </tbody> </table> | | | | | | | | | | | | | Status | Default Value | Power On Sequence | Display inversion off | S/W Reset | Display inversion off | H/W Reset | Display inversion off | | | | |
| Status | Default Value | | | | | | | | | | | | | | | | | | | | | | | | |
| Power On Sequence | Display inversion off | | | | | | | | | | | | | | | | | | | | | | | | |
| S/W Reset | Display inversion off | | | | | | | | | | | | | | | | | | | | | | | | |
| H/W Reset | Display inversion off | | | | | | | | | | | | | | | | | | | | | | | | |



9.1.17 GAMSET (26h): Gamma Set

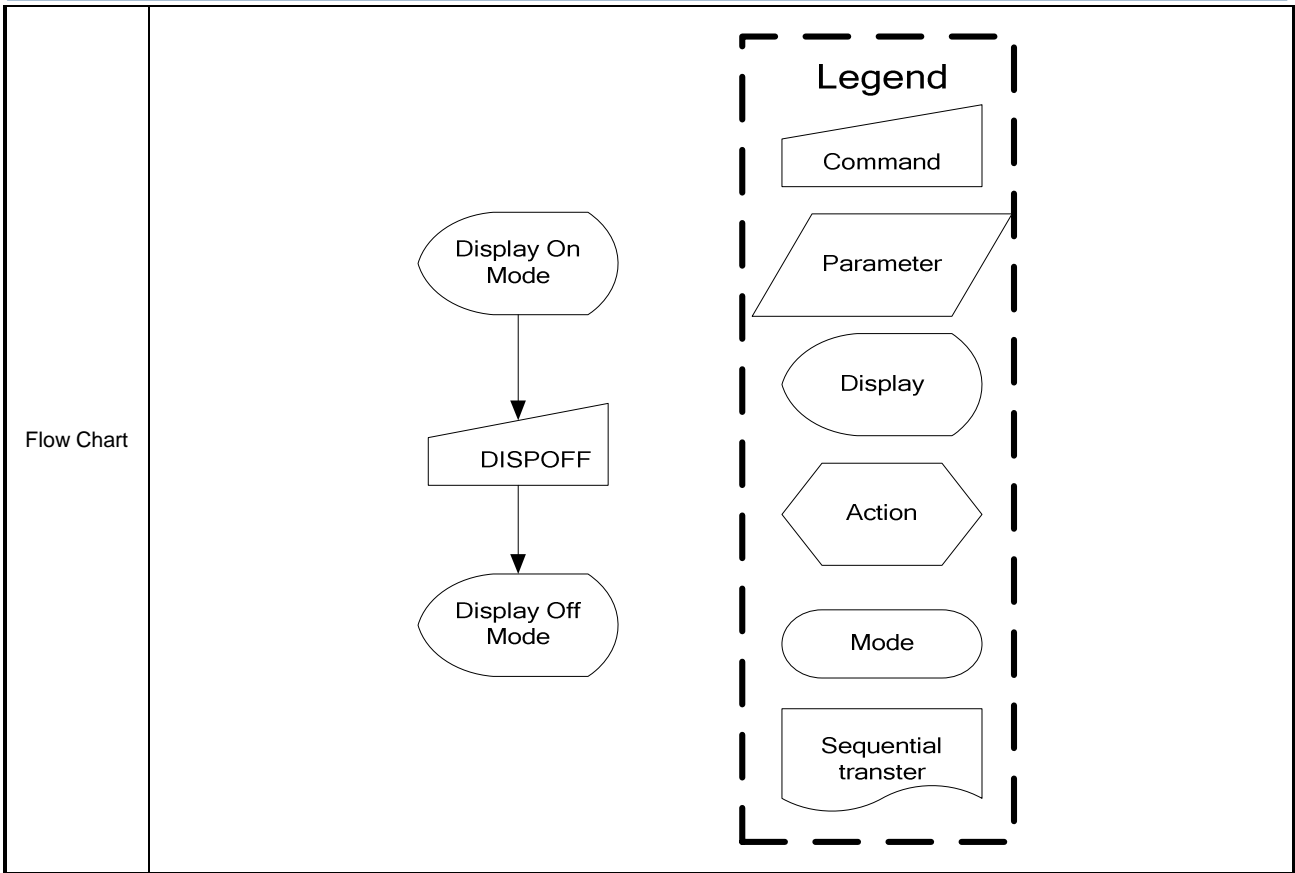
| 26H | GAMSET (Gamma Set) | | | | | | | | | | | | | | | | | | | | | | | | | | | |
|---|--|----------------------|-----|-------|----|----|----|----|-----|-----|-----|-----|-------|----------|---------------|--|------|---|----------------------|---|------|--|-----|----------|----------------------|-----|-----|----------------------|
| Inst / Para | D/CX | WRX | RDX | D17-8 | D7 | D6 | D5 | D4 | D3 | D2 | D1 | D0 | HEX | | | | | | | | | | | | | | | |
| GAMSET | 0 | ↑ | 1 | - | 0 | 0 | 1 | 0 | 0 | 1 | 1 | 0 | (26h) | | | | | | | | | | | | | | | |
| parameter | 1 | ↑ | 1 | - | 0 | 0 | 0 | 0 | GC3 | GC2 | GC1 | GC0 | | | | | | | | | | | | | | | | |
| 1. Description | <p>-This command is used to select the desired Gamma curve for the current display. A maximum of 4 curves can be selected. The curve is selected by setting the appropriate bit in the parameter as described in the Table.</p> <table border="1"> <thead> <tr> <th>GC [7:0]</th> <th>Parameter</th> <th>Curve Selected</th> </tr> </thead> <tbody> <tr> <td>01h</td> <td>GC0</td> <td>Gamma Curve 1 (G2.2)</td> </tr> <tr> <td>02h</td> <td>GC1</td> <td>Gamma Curve 2 (G1.8)</td> </tr> <tr> <td>04h</td> <td>GC2</td> <td>Gamma Curve 3 (G2.5)</td> </tr> <tr> <td>08h</td> <td>GC3</td> <td>Gamma Curve 4 (G1.0)</td> </tr> </tbody> </table> <p>Note: All other values are undefined.</p> | | | | | | | | | | | | | GC [7:0] | Parameter | Curve Selected | 01h | GC0 | Gamma Curve 1 (G2.2) | 02h | GC1 | Gamma Curve 2 (G1.8) | 04h | GC2 | Gamma Curve 3 (G2.5) | 08h | GC3 | Gamma Curve 4 (G1.0) |
| GC [7:0] | Parameter | Curve Selected | | | | | | | | | | | | | | | | | | | | | | | | | | |
| 01h | GC0 | Gamma Curve 1 (G2.2) | | | | | | | | | | | | | | | | | | | | | | | | | | |
| 02h | GC1 | Gamma Curve 2 (G1.8) | | | | | | | | | | | | | | | | | | | | | | | | | | |
| 04h | GC2 | Gamma Curve 3 (G2.5) | | | | | | | | | | | | | | | | | | | | | | | | | | |
| 08h | GC3 | Gamma Curve 4 (G1.0) | | | | | | | | | | | | | | | | | | | | | | | | | | |
| Restriction | Values of GC[7:0] not shown in table above are invalid and will not change the current selected Gamma curve until valid value is received. | | | | | | | | | | | | | | | | | | | | | | | | | | | |
| Register availability | <table border="1"> <thead> <tr> <th>Status</th> <th>Availability</th> </tr> </thead> <tbody> <tr> <td>Normal Mode On, Idle Mode Off, Sleep Out</td> <td>Yes</td> </tr> <tr> <td>Normal Mode On, Idle Mode On, Sleep Out</td> <td>Yes</td> </tr> <tr> <td>Partial Mode On, Idle Mode Off, Sleep Out</td> <td>Yes</td> </tr> <tr> <td>Partial Mode On, Idle Mode On, Sleep Out</td> <td>Yes</td> </tr> <tr> <td>Sleep In</td> <td>Yes</td> </tr> </tbody> </table> | | | | | | | | | | | | | Status | Availability | Normal Mode On, Idle Mode Off, Sleep Out | Yes | Normal Mode On, Idle Mode On, Sleep Out | Yes | Partial Mode On, Idle Mode Off, Sleep Out | Yes | Partial Mode On, Idle Mode On, Sleep Out | Yes | Sleep In | Yes | | | |
| Status | Availability | | | | | | | | | | | | | | | | | | | | | | | | | | | |
| Normal Mode On, Idle Mode Off, Sleep Out | Yes | | | | | | | | | | | | | | | | | | | | | | | | | | | |
| Normal Mode On, Idle Mode On, Sleep Out | Yes | | | | | | | | | | | | | | | | | | | | | | | | | | | |
| Partial Mode On, Idle Mode Off, Sleep Out | Yes | | | | | | | | | | | | | | | | | | | | | | | | | | | |
| Partial Mode On, Idle Mode On, Sleep Out | Yes | | | | | | | | | | | | | | | | | | | | | | | | | | | |
| Sleep In | Yes | | | | | | | | | | | | | | | | | | | | | | | | | | | |
| Default | <table border="1"> <thead> <tr> <th>Status</th> <th>Default Value</th> </tr> </thead> <tbody> <tr> <td>Power On Sequence</td> <td>0x01</td> </tr> <tr> <td>S/W Reset</td> <td>0x01</td> </tr> <tr> <td>H/W Reset</td> <td>0x01</td> </tr> </tbody> </table> | | | | | | | | | | | | | Status | Default Value | Power On Sequence | 0x01 | S/W Reset | 0x01 | H/W Reset | 0x01 | | | | | | | |
| Status | Default Value | | | | | | | | | | | | | | | | | | | | | | | | | | | |
| Power On Sequence | 0x01 | | | | | | | | | | | | | | | | | | | | | | | | | | | |
| S/W Reset | 0x01 | | | | | | | | | | | | | | | | | | | | | | | | | | | |
| H/W Reset | 0x01 | | | | | | | | | | | | | | | | | | | | | | | | | | | |

Flow Chart



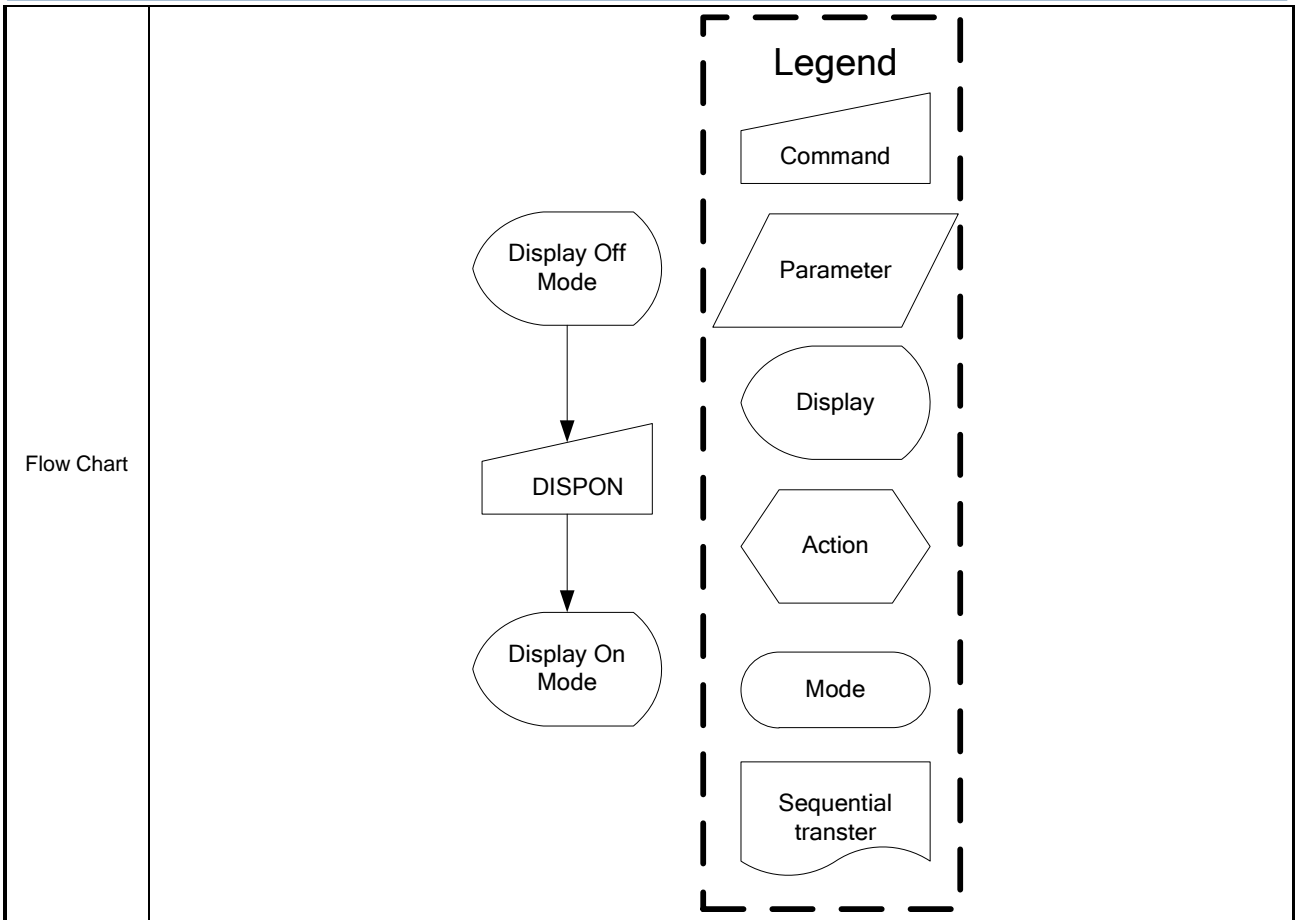
9.1.18 DISPOFF (28h): Display Off

| 28H | DISPOFF (Display Off) | | | | | | | | | | | | | | | | | | | | | | | | |
|---|--|-----|-----|-------|----|----|----|----|----|----|----|----|-------|--------|---------------|--|-------------|---|-------------|---|-------------|--|-----|----------|-----|
| Inst / Para | D/CX | WRX | RDX | D17-8 | D7 | D6 | D5 | D4 | D3 | D2 | D1 | D0 | HEX | | | | | | | | | | | | |
| DISPOFF | 0 | ↑ | 1 | - | 0 | 0 | 1 | 0 | 1 | 0 | 0 | 0 | (28h) | | | | | | | | | | | | |
| parameter | No Parameter | | | | | | | | | | | | | | | | | | | | | | | | |
| Description | <p>- This command is used to enter into DISPLAY OFF mode. In this mode, the output from Frame Memory is disabled and blank page inserted.</p> <p>- This command makes no change of contents of frame memory.</p> <p>- This command does not change any other status.</p> <p>- There will be no abnormal visible effect on the display.</p> <p>- Exit from this command by Display On (29h)</p> <div style="text-align: center;"> <p>(Example)</p> </div> | | | | | | | | | | | | | | | | | | | | | | | | |
| Restriction | This command has no effect when module is already in display off mode. | | | | | | | | | | | | | | | | | | | | | | | | |
| Register availability | <table border="1" style="width: 100%; border-collapse: collapse;"> <thead> <tr> <th style="width: 50%;">Status</th> <th style="width: 50%;">Availability</th> </tr> </thead> <tbody> <tr> <td>Normal Mode On, Idle Mode Off, Sleep Out</td> <td>Yes</td> </tr> <tr> <td>Normal Mode On, Idle Mode On, Sleep Out</td> <td>Yes</td> </tr> <tr> <td>Partial Mode On, Idle Mode Off, Sleep Out</td> <td>Yes</td> </tr> <tr> <td>Partial Mode On, Idle Mode On, Sleep Out</td> <td>Yes</td> </tr> <tr> <td>Sleep In</td> <td>Yes</td> </tr> </tbody> </table> | | | | | | | | | | | | | Status | Availability | Normal Mode On, Idle Mode Off, Sleep Out | Yes | Normal Mode On, Idle Mode On, Sleep Out | Yes | Partial Mode On, Idle Mode Off, Sleep Out | Yes | Partial Mode On, Idle Mode On, Sleep Out | Yes | Sleep In | Yes |
| Status | Availability | | | | | | | | | | | | | | | | | | | | | | | | |
| Normal Mode On, Idle Mode Off, Sleep Out | Yes | | | | | | | | | | | | | | | | | | | | | | | | |
| Normal Mode On, Idle Mode On, Sleep Out | Yes | | | | | | | | | | | | | | | | | | | | | | | | |
| Partial Mode On, Idle Mode Off, Sleep Out | Yes | | | | | | | | | | | | | | | | | | | | | | | | |
| Partial Mode On, Idle Mode On, Sleep Out | Yes | | | | | | | | | | | | | | | | | | | | | | | | |
| Sleep In | Yes | | | | | | | | | | | | | | | | | | | | | | | | |
| Default | <table border="1" style="width: 100%; border-collapse: collapse;"> <thead> <tr> <th style="width: 50%;">Status</th> <th style="width: 50%;">Default Value</th> </tr> </thead> <tbody> <tr> <td>Power On Sequence</td> <td>Display off</td> </tr> <tr> <td>S/W Reset</td> <td>Display off</td> </tr> <tr> <td>H/W Reset</td> <td>Display off</td> </tr> </tbody> </table> | | | | | | | | | | | | | Status | Default Value | Power On Sequence | Display off | S/W Reset | Display off | H/W Reset | Display off | | | | |
| Status | Default Value | | | | | | | | | | | | | | | | | | | | | | | | |
| Power On Sequence | Display off | | | | | | | | | | | | | | | | | | | | | | | | |
| S/W Reset | Display off | | | | | | | | | | | | | | | | | | | | | | | | |
| H/W Reset | Display off | | | | | | | | | | | | | | | | | | | | | | | | |



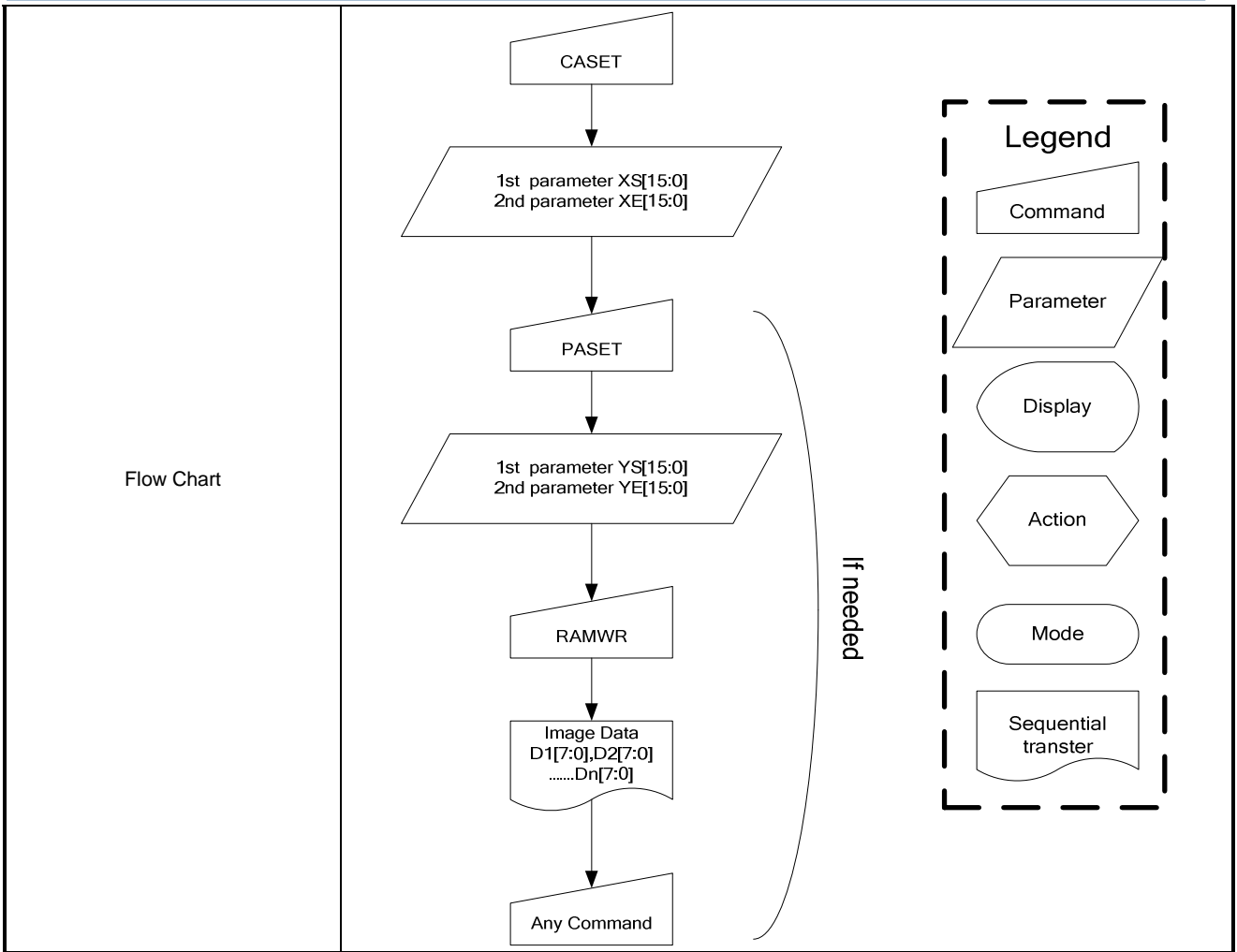
9.1.19 DISPON (29h): Display On

| 29H | DISPON (Display On) | | | | | | | | | | | | | | | | | | | | | | | | |
|---|--|-----|-----|-------|----|----|----|----|----|----|----|----|-------|--------|---------------|--|-------------|---|-------------|---|-------------|--|-----|----------|-----|
| Inst / Para | D/CX | WRX | RDX | D17-8 | D7 | D6 | D5 | D4 | D3 | D2 | D1 | D0 | HEX | | | | | | | | | | | | |
| DISPON | 0 | ↑ | 1 | - | 0 | 0 | 1 | 0 | 1 | 0 | 0 | 1 | (29h) | | | | | | | | | | | | |
| parameter | No Parameter | | | | | | | | | | | | | | | | | | | | | | | | |
| Description | <ul style="list-style-type: none"> - This command is used to recover from DISPLAY OFF mode. - Output from the Frame Memory is enabled. - This command makes no change of contents of frame memory. - This command does not change any other status. <div style="text-align: center; margin-top: 10px;"> <p>(Example)</p> <div style="display: flex; justify-content: space-around; align-items: center;"> <div style="text-align: center;"> <p>Memory</p> </div> <div style="font-size: 2em; margin: 0 10px;">→</div> <div style="text-align: center;"> <p>Display</p> </div> </div> </div> | | | | | | | | | | | | | | | | | | | | | | | | |
| Restriction | This command has no effect when module is already in display on mode. | | | | | | | | | | | | | | | | | | | | | | | | |
| Register availability | <table border="1" style="width: 100%; border-collapse: collapse; text-align: center;"> <thead> <tr> <th style="width: 70%;">Status</th> <th style="width: 30%;">Availability</th> </tr> </thead> <tbody> <tr> <td>Normal Mode On, Idle Mode Off, Sleep Out</td> <td>Yes</td> </tr> <tr> <td>Normal Mode On, Idle Mode On, Sleep Out</td> <td>Yes</td> </tr> <tr> <td>Partial Mode On, Idle Mode Off, Sleep Out</td> <td>Yes</td> </tr> <tr> <td>Partial Mode On, Idle Mode On, Sleep Out</td> <td>Yes</td> </tr> <tr> <td>Sleep In</td> <td>Yes</td> </tr> </tbody> </table> | | | | | | | | | | | | | Status | Availability | Normal Mode On, Idle Mode Off, Sleep Out | Yes | Normal Mode On, Idle Mode On, Sleep Out | Yes | Partial Mode On, Idle Mode Off, Sleep Out | Yes | Partial Mode On, Idle Mode On, Sleep Out | Yes | Sleep In | Yes |
| Status | Availability | | | | | | | | | | | | | | | | | | | | | | | | |
| Normal Mode On, Idle Mode Off, Sleep Out | Yes | | | | | | | | | | | | | | | | | | | | | | | | |
| Normal Mode On, Idle Mode On, Sleep Out | Yes | | | | | | | | | | | | | | | | | | | | | | | | |
| Partial Mode On, Idle Mode Off, Sleep Out | Yes | | | | | | | | | | | | | | | | | | | | | | | | |
| Partial Mode On, Idle Mode On, Sleep Out | Yes | | | | | | | | | | | | | | | | | | | | | | | | |
| Sleep In | Yes | | | | | | | | | | | | | | | | | | | | | | | | |
| Default | <table border="1" style="width: 100%; border-collapse: collapse; text-align: center;"> <thead> <tr> <th style="width: 60%;">Status</th> <th style="width: 40%;">Default Value</th> </tr> </thead> <tbody> <tr> <td>Power On Sequence</td> <td>Display off</td> </tr> <tr> <td>S/W Reset</td> <td>Display off</td> </tr> <tr> <td>H/W Reset</td> <td>Display off</td> </tr> </tbody> </table> | | | | | | | | | | | | | Status | Default Value | Power On Sequence | Display off | S/W Reset | Display off | H/W Reset | Display off | | | | |
| Status | Default Value | | | | | | | | | | | | | | | | | | | | | | | | |
| Power On Sequence | Display off | | | | | | | | | | | | | | | | | | | | | | | | |
| S/W Reset | Display off | | | | | | | | | | | | | | | | | | | | | | | | |
| H/W Reset | Display off | | | | | | | | | | | | | | | | | | | | | | | | |

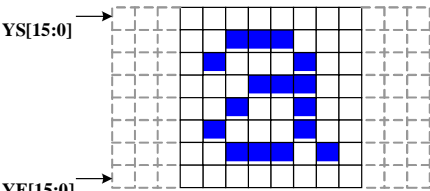


9.1.20 CASET (2Ah): Column Address Set

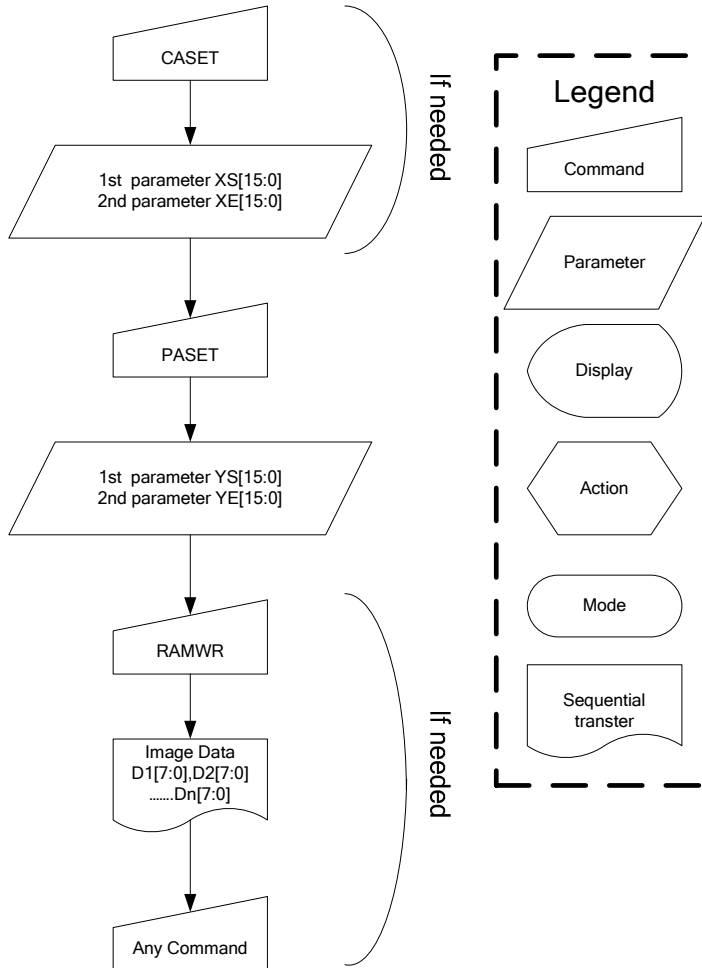
| 2AH | CASET (Column Address Set) | | | | | | | | | | | | | | | | | | | | | | | | |
|---|--|---|-----|-------|------|------|------|------|------|------|-----|-----|-------|--------|---------------|--|-------------------|---|---------------|---|---------------|---|-----------|---------------|---------------|
| Inst / Para | D/CX | WRX | RDX | D17-8 | D7 | D6 | D5 | D4 | D3 | D2 | D1 | D0 | HEX | | | | | | | | | | | | |
| CASET | 0 | ↑ | 1 | - | 0 | 0 | 1 | 0 | 1 | 0 | 1 | 0 | (2Ah) | | | | | | | | | | | | |
| 1 st parameter | 1 | ↑ | 1 | - | XS15 | XS14 | XS13 | XS12 | XS11 | XS10 | XS9 | XS8 | | | | | | | | | | | | | |
| 2 nd parameter | 1 | ↑ | 1 | - | XS7 | XS6 | XS5 | XS4 | XS3 | XS2 | XS1 | XS0 | | | | | | | | | | | | | |
| 3 rd parameter | 1 | ↑ | 1 | - | XE15 | XE14 | XE13 | XE12 | XE11 | XE10 | XE9 | XE8 | | | | | | | | | | | | | |
| 4 th parameter | 1 | ↑ | 1 | - | XE7 | XE6 | XE5 | XE4 | XE3 | XE2 | XE1 | XE0 | | | | | | | | | | | | | |
| 2. Description | <p>-The value of XS [7:0] and XE [7:0] are referred when RAMWR command comes.</p> <p>-Each value represents one column line in the Frame Memory.</p> | | | | | | | | | | | | | | | | | | | | | | | | |
| Restriction | <p>XS [15:0] always must be equal to or less than XE [15:0]</p> <p>When XS [15:0] or XE [15:0] is greater than maximum address like below, data of out of range will be ignored.</p> <p>(Parameter range: 0 < XS [15:0] < XE [15:0] < 239 (00Efh)): MV="0"</p> <p>(Parameter range: 0 < XS [15:0] < XE [15:0] < 319 (013Fh)): MV="1"</p> | | | | | | | | | | | | | | | | | | | | | | | | |
| Register availability | <table border="1"> <thead> <tr> <th>Status</th> <th>Availability</th> </tr> </thead> <tbody> <tr> <td>Normal Mode On, Idle Mode Off, Sleep Out</td> <td>Yes</td> </tr> <tr> <td>Normal Mode On, Idle Mode On, Sleep Out</td> <td>Yes</td> </tr> <tr> <td>Partial Mode On, Idle Mode Off, Sleep Out</td> <td>Yes</td> </tr> <tr> <td>Partial Mode On, Idle Mode On, Sleep Out</td> <td>Yes</td> </tr> <tr> <td>Sleep In</td> <td>Yes</td> </tr> </tbody> </table> | | | | | | | | | | | | | Status | Availability | Normal Mode On, Idle Mode Off, Sleep Out | Yes | Normal Mode On, Idle Mode On, Sleep Out | Yes | Partial Mode On, Idle Mode Off, Sleep Out | Yes | Partial Mode On, Idle Mode On, Sleep Out | Yes | Sleep In | Yes |
| Status | Availability | | | | | | | | | | | | | | | | | | | | | | | | |
| Normal Mode On, Idle Mode Off, Sleep Out | Yes | | | | | | | | | | | | | | | | | | | | | | | | |
| Normal Mode On, Idle Mode On, Sleep Out | Yes | | | | | | | | | | | | | | | | | | | | | | | | |
| Partial Mode On, Idle Mode Off, Sleep Out | Yes | | | | | | | | | | | | | | | | | | | | | | | | |
| Partial Mode On, Idle Mode On, Sleep Out | Yes | | | | | | | | | | | | | | | | | | | | | | | | |
| Sleep In | Yes | | | | | | | | | | | | | | | | | | | | | | | | |
| Default | <table border="1"> <thead> <tr> <th>Status</th> <th colspan="2">Default Value</th> </tr> </thead> <tbody> <tr> <td>Power On Sequence</td> <td>XS[15:0]=0x00</td> <td>XE[15:0]=0xEF</td> </tr> <tr> <td>S/W Reset</td> <td>XS[15:0]=0x00</td> <td>When MV=0: XE[15:0]=00Efh, When MV=1: XE[15:0]=013Fh</td> </tr> <tr> <td>H/W Reset</td> <td>XS[15:0]=0x00</td> <td>XE[15:0]=0xEF</td> </tr> </tbody> </table> | | | | | | | | | | | | | Status | Default Value | | Power On Sequence | XS[15:0]=0x00 | XE[15:0]=0xEF | S/W Reset | XS[15:0]=0x00 | When MV=0: XE[15:0]=00Efh, When MV=1: XE[15:0]=013Fh | H/W Reset | XS[15:0]=0x00 | XE[15:0]=0xEF |
| Status | Default Value | | | | | | | | | | | | | | | | | | | | | | | | |
| Power On Sequence | XS[15:0]=0x00 | XE[15:0]=0xEF | | | | | | | | | | | | | | | | | | | | | | | |
| S/W Reset | XS[15:0]=0x00 | When MV=0: XE[15:0]=00Efh, When MV=1: XE[15:0]=013Fh | | | | | | | | | | | | | | | | | | | | | | | |
| H/W Reset | XS[15:0]=0x00 | XE[15:0]=0xEF | | | | | | | | | | | | | | | | | | | | | | | |



9.1.21 RASET (2Bh): Row Address Set

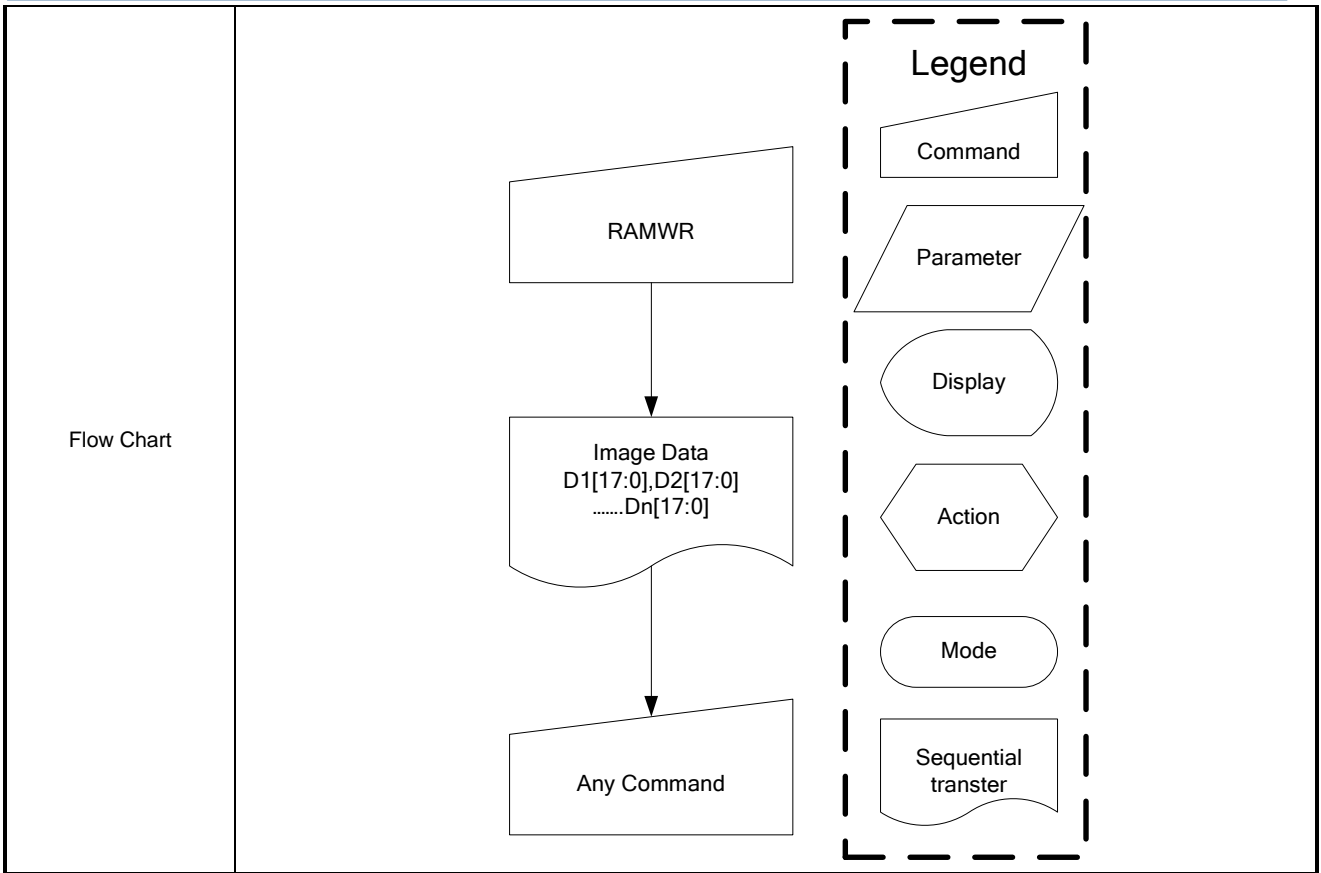
| 2BH | RASET (Row Address Set) | | | | | | | | | | | | | | | | | | | | | | | | |
|---|--|---|-----|-------|------|------|------|------|------|------|-----|-----|-------|--------|---------------|--|-------------------|---|----------------|---|----------------|---|-----------|----------------|----------------|
| Inst / Para | D/CX | WRX | RDX | D17-8 | D7 | D6 | D5 | D4 | D3 | D2 | D1 | D0 | HEX | | | | | | | | | | | | |
| RASET | 0 | ↑ | 1 | - | 0 | 0 | 1 | 0 | 1 | 0 | 1 | 1 | (2Bh) | | | | | | | | | | | | |
| 1 st parameter | 1 | ↑ | 1 | - | YS15 | YS14 | YS13 | YS12 | YS11 | YS10 | YS9 | YS8 | | | | | | | | | | | | | |
| 2 nd parameter | 1 | ↑ | 1 | - | YS7 | YS6 | YS5 | YS4 | YS3 | YS2 | YS1 | YS0 | | | | | | | | | | | | | |
| 3 rd parameter | 1 | ↑ | 1 | - | YE15 | YE14 | YE13 | YE12 | YE11 | YE10 | YE9 | YE8 | | | | | | | | | | | | | |
| 4 th parameter | 1 | ↑ | 1 | - | YE7 | YE6 | YE5 | YE4 | YE3 | YE2 | YE1 | YE0 | | | | | | | | | | | | | |
| 3. Description | <p>-This command is used to defined area of frame memory where MCU can access.</p> <p>-The value of YS [15:0] and YE [15:0] are referred when RAMWR command comes.</p> <p>-Each value represents one page line in the Frame Memory.</p>  | | | | | | | | | | | | | | | | | | | | | | | | |
| Restriction | <p>YS [15:0] always must be equal to or less than YE [15:0]</p> <p>When YS [15:0] or YE [15:0] is greater than maximum address like below, data of out of range will be ignored.</p> <p>(Parameter range: 0 < YS [15:0] < YE [15:0] < 319 (013fh)): MV="0"</p> <p>(Parameter range: 0 < YS [15:0] < YE [15:0] < 239 (00EFh)): MV="1"</p> | | | | | | | | | | | | | | | | | | | | | | | | |
| Register availability | <table border="1"> <thead> <tr> <th>Status</th> <th>Availability</th> </tr> </thead> <tbody> <tr> <td>Normal Mode On, Idle Mode Off, Sleep Out</td> <td>Yes</td> </tr> <tr> <td>Normal Mode On, Idle Mode On, Sleep Out</td> <td>Yes</td> </tr> <tr> <td>Partial Mode On, Idle Mode Off, Sleep Out</td> <td>Yes</td> </tr> <tr> <td>Partial Mode On, Idle Mode On, Sleep Out</td> <td>Yes</td> </tr> <tr> <td>Sleep In</td> <td>Yes</td> </tr> </tbody> </table> | | | | | | | | | | | | | Status | Availability | Normal Mode On, Idle Mode Off, Sleep Out | Yes | Normal Mode On, Idle Mode On, Sleep Out | Yes | Partial Mode On, Idle Mode Off, Sleep Out | Yes | Partial Mode On, Idle Mode On, Sleep Out | Yes | Sleep In | Yes |
| Status | Availability | | | | | | | | | | | | | | | | | | | | | | | | |
| Normal Mode On, Idle Mode Off, Sleep Out | Yes | | | | | | | | | | | | | | | | | | | | | | | | |
| Normal Mode On, Idle Mode On, Sleep Out | Yes | | | | | | | | | | | | | | | | | | | | | | | | |
| Partial Mode On, Idle Mode Off, Sleep Out | Yes | | | | | | | | | | | | | | | | | | | | | | | | |
| Partial Mode On, Idle Mode On, Sleep Out | Yes | | | | | | | | | | | | | | | | | | | | | | | | |
| Sleep In | Yes | | | | | | | | | | | | | | | | | | | | | | | | |
| Default | <table border="1"> <thead> <tr> <th>Status</th> <th colspan="2">Default Value</th> </tr> </thead> <tbody> <tr> <td>Power On Sequence</td> <td>YS[15:0]=0000h</td> <td>YE[15:0]=013Fh</td> </tr> <tr> <td>S/W Reset</td> <td>YS[15:0]=0000h</td> <td>When MV=0: YE[15:0]=013Fh, When MV=1: YE[15:0]=00EFh</td> </tr> <tr> <td>H/W Reset</td> <td>YS[15:0]=0000h</td> <td>YE[15:0]=013Fh</td> </tr> </tbody> </table> | | | | | | | | | | | | | Status | Default Value | | Power On Sequence | YS[15:0]=0000h | YE[15:0]=013Fh | S/W Reset | YS[15:0]=0000h | When MV=0: YE[15:0]=013Fh, When MV=1: YE[15:0]=00EFh | H/W Reset | YS[15:0]=0000h | YE[15:0]=013Fh |
| Status | Default Value | | | | | | | | | | | | | | | | | | | | | | | | |
| Power On Sequence | YS[15:0]=0000h | YE[15:0]=013Fh | | | | | | | | | | | | | | | | | | | | | | | |
| S/W Reset | YS[15:0]=0000h | When MV=0: YE[15:0]=013Fh, When MV=1: YE[15:0]=00EFh | | | | | | | | | | | | | | | | | | | | | | | |
| H/W Reset | YS[15:0]=0000h | YE[15:0]=013Fh | | | | | | | | | | | | | | | | | | | | | | | |

Flow Chart



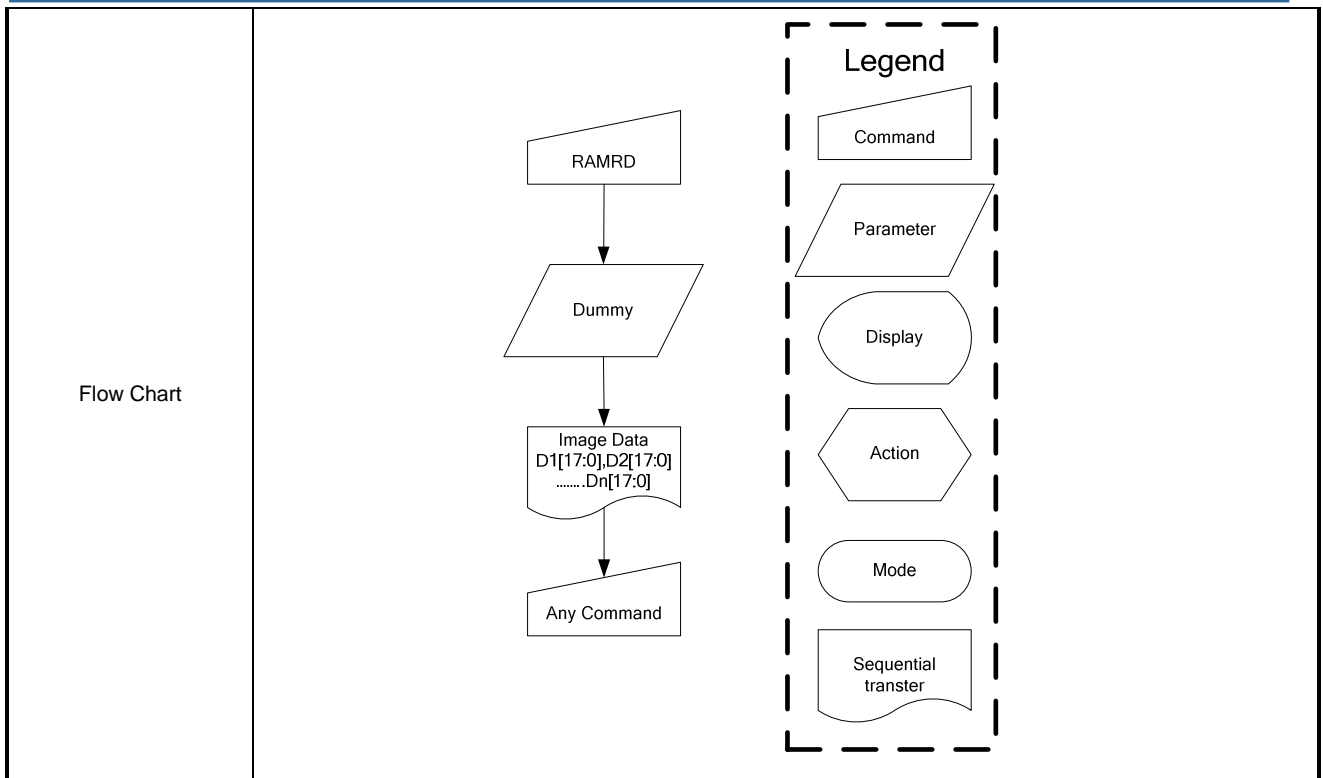
9.1.22 RAMWR (2Ch): Memory Write

| 2CH | RAMWR (Memory Write) | | | | | | | | | | | | | | | | | | | | | | | | |
|---|--|-----|-----|-------------|-------|-------|-------|-------|-------|-------|-------|-------|-------|--------|---------------|--|------------------------------------|---|-----------------------------------|---|-----------------------------------|--|-----|----------|-----|
| Inst / Para | D/CX | WRX | RDX | D17-8 | D7 | D6 | D5 | D4 | D3 | D2 | D1 | D0 | HEX | | | | | | | | | | | | |
| RAMWR | 0 | ↑ | 1 | - | 0 | 0 | 1 | 0 | 1 | 1 | 0 | 0 | (2Ch) | | | | | | | | | | | | |
| 1 st parameter | 1 | ↑ | 1 | D1[17]-1[8] | D1[7] | D1[6] | D1[5] | D1[4] | D1[3] | D1[2] | D1[1] | D1[0] | | | | | | | | | | | | | |
| ... | 1 | ↑ | 1 | Dx[17]-x[8] | Dx[7] | Dx[6] | Dx[5] | Dx[4] | Dx[3] | Dx[2] | Dx[1] | Dx[0] | | | | | | | | | | | | | |
| N parameter | 1 | ↑ | 1 | Dn[17]-n[8] | Dn[7] | Dn[6] | Dn[5] | Dn[4] | Dn[3] | Dn[2] | Dn[1] | Dn[0] | | | | | | | | | | | | | |
| Description | <p>-This command is used to transfer data from MCU to frame memory.</p> <p>-When this command is accepted, the column register and the page register are reset to the start column/start page positions.</p> <p>-The start column/start page positions are different in accordance with MADCTL setting.</p> <p>-Sending any other command can stop frame write.</p> | | | | | | | | | | | | | | | | | | | | | | | | |
| Restriction | | | | | | | | | | | | | | | | | | | | | | | | | |
| Register availability | <table border="1"> <thead> <tr> <th>Status</th> <th>Availability</th> </tr> </thead> <tbody> <tr> <td>Normal Mode On, Idle Mode Off, Sleep Out</td> <td>Yes</td> </tr> <tr> <td>Normal Mode On, Idle Mode On, Sleep Out</td> <td>Yes</td> </tr> <tr> <td>Partial Mode On, Idle Mode Off, Sleep Out</td> <td>Yes</td> </tr> <tr> <td>Partial Mode On, Idle Mode On, Sleep Out</td> <td>Yes</td> </tr> <tr> <td>Sleep In</td> <td>Yes</td> </tr> </tbody> </table> | | | | | | | | | | | | | Status | Availability | Normal Mode On, Idle Mode Off, Sleep Out | Yes | Normal Mode On, Idle Mode On, Sleep Out | Yes | Partial Mode On, Idle Mode Off, Sleep Out | Yes | Partial Mode On, Idle Mode On, Sleep Out | Yes | Sleep In | Yes |
| Status | Availability | | | | | | | | | | | | | | | | | | | | | | | | |
| Normal Mode On, Idle Mode Off, Sleep Out | Yes | | | | | | | | | | | | | | | | | | | | | | | | |
| Normal Mode On, Idle Mode On, Sleep Out | Yes | | | | | | | | | | | | | | | | | | | | | | | | |
| Partial Mode On, Idle Mode Off, Sleep Out | Yes | | | | | | | | | | | | | | | | | | | | | | | | |
| Partial Mode On, Idle Mode On, Sleep Out | Yes | | | | | | | | | | | | | | | | | | | | | | | | |
| Sleep In | Yes | | | | | | | | | | | | | | | | | | | | | | | | |
| Default | <table border="1"> <thead> <tr> <th>Status</th> <th>Default Value</th> </tr> </thead> <tbody> <tr> <td>Power On Sequence</td> <td>Contents of memory is set randomly</td> </tr> <tr> <td>S/W Reset</td> <td>Contents of memory is not cleared</td> </tr> <tr> <td>H/W Reset</td> <td>Contents of memory is not cleared</td> </tr> </tbody> </table> | | | | | | | | | | | | | Status | Default Value | Power On Sequence | Contents of memory is set randomly | S/W Reset | Contents of memory is not cleared | H/W Reset | Contents of memory is not cleared | | | | |
| Status | Default Value | | | | | | | | | | | | | | | | | | | | | | | | |
| Power On Sequence | Contents of memory is set randomly | | | | | | | | | | | | | | | | | | | | | | | | |
| S/W Reset | Contents of memory is not cleared | | | | | | | | | | | | | | | | | | | | | | | | |
| H/W Reset | Contents of memory is not cleared | | | | | | | | | | | | | | | | | | | | | | | | |



9.1.23 RAMRD (2Eh): Memory Read

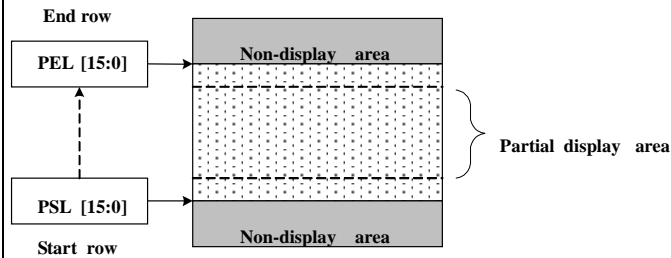
| 2EH | RAMRD (Memory Read) | | | | | | | | | | | | | | | | | | | | | | | | |
|---|---|-----|-----|-------|----|----|----|----|----|----|----|----|-------|--------|---------------|--|------------------------------------|---|-----------------------------------|---|-----------------------------------|--|-----|----------|-----|
| Inst / Para | D/CX | WRX | RDX | D17-8 | D7 | D6 | D5 | D4 | D3 | D2 | D1 | D0 | HEX | | | | | | | | | | | | |
| RAMRD | 0 | ↑ | 1 | - | 0 | 0 | 1 | 0 | 1 | 1 | 1 | 0 | (2Eh) | | | | | | | | | | | | |
| 1 st parameter | 1 | 1 | ↑ | - | - | - | - | - | - | - | - | - | | | | | | | | | | | | | |
| 2 nd parameter | 1 | 1 | ↑ | D17-8 | D7 | D6 | D5 | D4 | D3 | D2 | D1 | D0 | | | | | | | | | | | | | |
| : | 1 | 1 | ↑ | : | : | : | : | : | : | : | : | : | | | | | | | | | | | | | |
| (N+1) th parameter | 1 | 1 | ↑ | D17-8 | D7 | D6 | D5 | D4 | D3 | D2 | D1 | D0 | | | | | | | | | | | | | |
| Description | <p>-This command is used to transfer data from frame memory to MCU.</p> <p>-When this command is accepted, the column register and the row register are reset to the Start Column/Start Row positions.</p> <p>-The Start Column/Start Row positions are different in accordance with MADCTL setting.</p> <p>-Then D[17:0] is read back from the frame memory and the column register and the row register incremented</p> <p>-Frame Read can be cancelled by sending any other command.</p> <p>-The data color coding is fixed to 18-bit in reading function. Please see section 9.8 “Data color coding” for color coding (18-bit cases), when there is used 8, 9, 16 and 18-bit data lines for image data.</p> <p>Note1: The Command 3Ah should be set to 66h when reading pixel data from frame memory.</p> | | | | | | | | | | | | | | | | | | | | | | | | |
| Restriction | | | | | | | | | | | | | | | | | | | | | | | | | |
| Register availability | <table border="1"> <thead> <tr> <th>Status</th> <th>Availability</th> </tr> </thead> <tbody> <tr> <td>Normal Mode On, Idle Mode Off, Sleep Out</td> <td>Yes</td> </tr> <tr> <td>Normal Mode On, Idle Mode On, Sleep Out</td> <td>Yes</td> </tr> <tr> <td>Partial Mode On, Idle Mode Off, Sleep Out</td> <td>Yes</td> </tr> <tr> <td>Partial Mode On, Idle Mode On, Sleep Out</td> <td>Yes</td> </tr> <tr> <td>Sleep In</td> <td>Yes</td> </tr> </tbody> </table> | | | | | | | | | | | | | Status | Availability | Normal Mode On, Idle Mode Off, Sleep Out | Yes | Normal Mode On, Idle Mode On, Sleep Out | Yes | Partial Mode On, Idle Mode Off, Sleep Out | Yes | Partial Mode On, Idle Mode On, Sleep Out | Yes | Sleep In | Yes |
| Status | Availability | | | | | | | | | | | | | | | | | | | | | | | | |
| Normal Mode On, Idle Mode Off, Sleep Out | Yes | | | | | | | | | | | | | | | | | | | | | | | | |
| Normal Mode On, Idle Mode On, Sleep Out | Yes | | | | | | | | | | | | | | | | | | | | | | | | |
| Partial Mode On, Idle Mode Off, Sleep Out | Yes | | | | | | | | | | | | | | | | | | | | | | | | |
| Partial Mode On, Idle Mode On, Sleep Out | Yes | | | | | | | | | | | | | | | | | | | | | | | | |
| Sleep In | Yes | | | | | | | | | | | | | | | | | | | | | | | | |
| Default | <table border="1"> <thead> <tr> <th>Status</th> <th>Default Value</th> </tr> </thead> <tbody> <tr> <td>Power On Sequence</td> <td>Contents of memory is set randomly</td> </tr> <tr> <td>S/W Reset</td> <td>Contents of memory is not cleared</td> </tr> <tr> <td>H/W Reset</td> <td>Contents of memory is not cleared</td> </tr> </tbody> </table> | | | | | | | | | | | | | Status | Default Value | Power On Sequence | Contents of memory is set randomly | S/W Reset | Contents of memory is not cleared | H/W Reset | Contents of memory is not cleared | | | | |
| Status | Default Value | | | | | | | | | | | | | | | | | | | | | | | | |
| Power On Sequence | Contents of memory is set randomly | | | | | | | | | | | | | | | | | | | | | | | | |
| S/W Reset | Contents of memory is not cleared | | | | | | | | | | | | | | | | | | | | | | | | |
| H/W Reset | Contents of memory is not cleared | | | | | | | | | | | | | | | | | | | | | | | | |



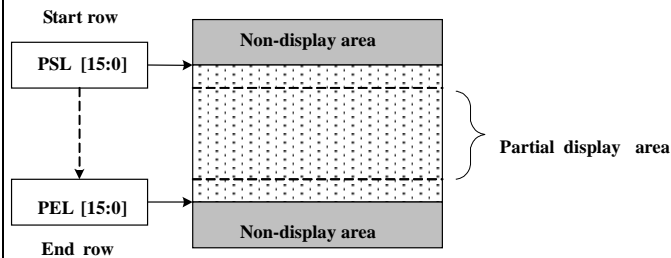
9.1.24 PTLAR (30h): Partial Area

| 30H | PTLAR (Partial Area) | | | | | | | | | | | | |
|---------------------------|----------------------|-----|-----|-------|-------|-------|-------|-------|-------|-------|------|------|-------|
| Inst / Para | D/CX | WRX | RDX | D17-8 | D7 | D6 | D5 | D4 | D3 | D2 | D1 | D0 | HEX |
| PTLAR | 0 | ↑ | 1 | - | 0 | 0 | 1 | 1 | 0 | 0 | 0 | 0 | (30h) |
| 1 st parameter | 1 | ↑ | 1 | - | PSL15 | PSL14 | PSL13 | PSL12 | PSL11 | PSL10 | PSL9 | PSL8 | |
| 2 nd parameter | 1 | ↑ | 1 | - | PSL7 | PSL6 | PSL5 | PSL4 | PSL3 | PSL2 | PSL1 | PSL0 | |
| 3 rd parameter | 1 | ↑ | 1 | - | PEL15 | PEL14 | PEL13 | PEL12 | PEL11 | PEL10 | PEL9 | PEL8 | |
| 4 th parameter | 1 | ↑ | 1 | - | PEL7 | PEL6 | PEL5 | PEL4 | PEL3 | PEL2 | PEL1 | PEL0 | |

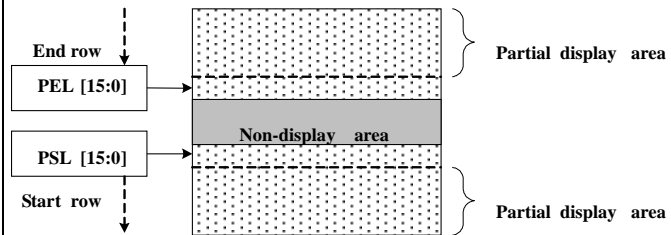
-This command defines the partial mode's display area.
 -There are 4 parameters associated with this command, the first defines the Start Row (PSL) and the second the End Row (PEL), as illustrated in the figures below. PSL and PEL refer to the Frame Memory row address counter.
 -If End Row > Start Row, when MADCTL ML='1'



-If End Row > Start Row, when MADCTL ML='0'



-If End Row < Start Row, when MADCTL ML='0'



Description

| | -If End Row = Start Row then the Partial Area will be one row deep. | | | | | | | | | | | | |
|---|---|--------|---------------|--|----------------------------|---|----------------------------|---|----------------------------|--|-----|----------|-----|
| Restriction | Each detail initial value by the display resolution will be updated. | | | | | | | | | | | | |
| Register availability | <table border="1"> <thead> <tr> <th>Status</th> <th>Availability</th> </tr> </thead> <tbody> <tr> <td>Normal Mode On, Idle Mode Off, Sleep Out</td> <td>Yes</td> </tr> <tr> <td>Normal Mode On, Idle Mode On, Sleep Out</td> <td>Yes</td> </tr> <tr> <td>Partial Mode On, Idle Mode Off, Sleep Out</td> <td>Yes</td> </tr> <tr> <td>Partial Mode On, Idle Mode On, Sleep Out</td> <td>Yes</td> </tr> <tr> <td>Sleep In</td> <td>Yes</td> </tr> </tbody> </table> | Status | Availability | Normal Mode On, Idle Mode Off, Sleep Out | Yes | Normal Mode On, Idle Mode On, Sleep Out | Yes | Partial Mode On, Idle Mode Off, Sleep Out | Yes | Partial Mode On, Idle Mode On, Sleep Out | Yes | Sleep In | Yes |
| Status | Availability | | | | | | | | | | | | |
| Normal Mode On, Idle Mode Off, Sleep Out | Yes | | | | | | | | | | | | |
| Normal Mode On, Idle Mode On, Sleep Out | Yes | | | | | | | | | | | | |
| Partial Mode On, Idle Mode Off, Sleep Out | Yes | | | | | | | | | | | | |
| Partial Mode On, Idle Mode On, Sleep Out | Yes | | | | | | | | | | | | |
| Sleep In | Yes | | | | | | | | | | | | |
| Default | <table border="1"> <thead> <tr> <th>Status</th> <th>Default Value</th> </tr> </thead> <tbody> <tr> <td>Power On Sequence</td> <td>PSL[15:0]=0000h, PEL=013Fh</td> </tr> <tr> <td>S/W Reset</td> <td>PSL[15:0]=0000h, PEL=013Fh</td> </tr> <tr> <td>H/W Reset</td> <td>PSL[15:0]=0000h, PEL=013Fh</td> </tr> </tbody> </table> | Status | Default Value | Power On Sequence | PSL[15:0]=0000h, PEL=013Fh | S/W Reset | PSL[15:0]=0000h, PEL=013Fh | H/W Reset | PSL[15:0]=0000h, PEL=013Fh | | | | |
| Status | Default Value | | | | | | | | | | | | |
| Power On Sequence | PSL[15:0]=0000h, PEL=013Fh | | | | | | | | | | | | |
| S/W Reset | PSL[15:0]=0000h, PEL=013Fh | | | | | | | | | | | | |
| H/W Reset | PSL[15:0]=0000h, PEL=013Fh | | | | | | | | | | | | |
| Flow Chart | <p style="text-align: center;">2. Leave Partial Mode</p> <div style="display: flex; justify-content: space-between;"> <div style="width: 45%;"> <p>1. To Enter Partial Mode:</p> <pre> graph TD PLTAR[PLTAR] --> SR[SR[15:0]] SR --> ER[ER[15:0]] ER --> PTLON[PTLON] PTLON --> PM((Partial Mode)) </pre> </div> <div style="width: 45%;"> <pre> graph TD PM((Partial Mode)) --> DISPOFF[/DISPOFF/] DISPOFF --> NORON[/NORON/] NORON --> PMOFF((Partial Mode OFF)) PMOFF --> RAMRW[/RAMRW/] RAMRW --> ID[Image Data D1[7:0], D2[7:0] Dn[7:0]] ID --> DISPON[/DISPON/] </pre> <p style="text-align: center;">(optional) To prevent Tearing Effect Image displayed</p> </div> </div> <div style="border: 1px dashed black; padding: 5px; margin-top: 10px;"> <p style="text-align: center;">Legend</p> <ul style="list-style-type: none"> Command Parameter Display Action Mode Sequential transfer </div> | | | | | | | | | | | | |

9.1.25 VSCRDEF (33h): Vertical Scrolling Definition

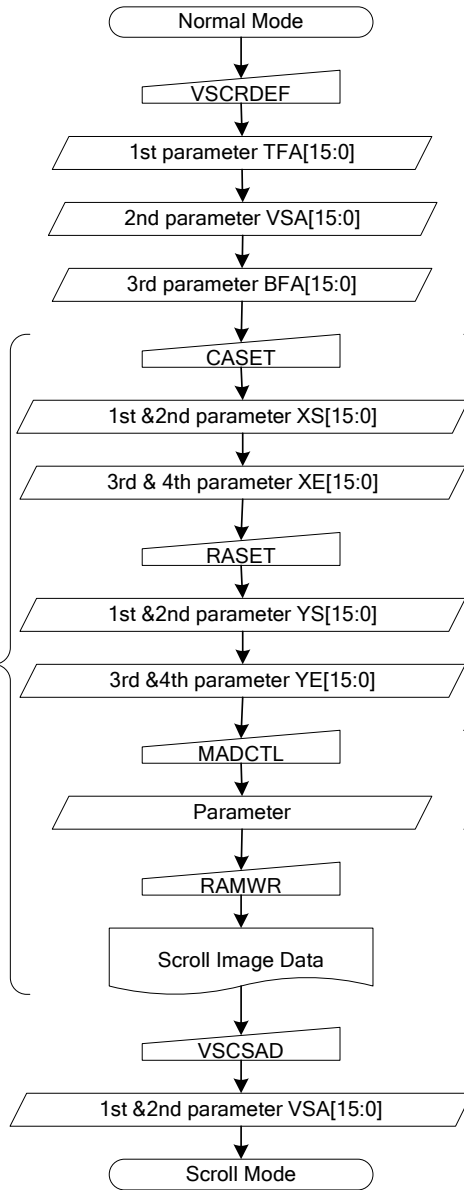
| 33H | (Vertical Scrolling Definition) | | | | | | | | | | | | HEX |
|---------------------------|--|-----|-----|-------|-------|-------|-------|-------|-------|-------|------|------|-------|
| Inst / Para | D/CX | WRX | RDX | D17-8 | D7 | D6 | D5 | D4 | D3 | D2 | D1 | D0 | HEX |
| VSCRDEF | 0 | ↑ | 1 | - | 0 | 0 | 1 | 1 | 0 | 0 | 1 | 1 | (33h) |
| 1 st parameter | 1 | ↑ | 1 | - | TFA15 | TFA14 | TFA13 | TFA12 | TFA11 | TFA10 | TFA9 | TFA8 | |
| 2 nd parameter | 1 | ↑ | 1 | - | TFA7 | TFA6 | TFA5 | TFA4 | TFA3 | TFA2 | TFA1 | TFA0 | |
| 3 rd parameter | 1 | ↑ | 1 | - | VSA15 | VSA14 | VSA13 | VSA12 | VSA11 | VSA10 | VSA9 | VSA8 | |
| 4 th parameter | 1 | ↑ | 1 | - | VSA7 | VSA6 | VSA5 | VSA4 | VSA3 | VSA2 | VSA1 | VSA0 | |
| 5 th parameter | 1 | ↑ | 1 | | BFA15 | BFA14 | BFA13 | BFA12 | BFA11 | BFA10 | BFA9 | BFA8 | |
| 6 th parameter | 1 | ↑ | 1 | | BFA7 | BFA6 | BFA5 | BFA4 | BFA3 | BFA2 | BFA1 | BFA0 | |
| Description | <p>-This command just defines the Vertical Scrolling Area of the display and not performs vertical scroll</p> <p>-When MADCTL MV=0</p> <p>-The 1st & 2nd parameter TFA [15:0] describes the Top Fixed Area (in No. of lines from Top of the Frame Memory and Display).</p> <p>-The 3rd & 4th parameter VSA [15:0] describes the height of the Vertical Scrolling Area (in No. of lines of the Frame Memory [not the display] from the Vertical Scrolling Start Address) The first line appears immediately after the bottom most line of the Top Fixed Area.</p> <p>-The 4th & 5th parameter BFA [6:0] describes the Bottom Fixed Area (in No. of lines from Bottom of the Frame Memory and Display).</p> <p>TFA, VSA and BFA refer to the Frame Memory Line Pointer</p> | | | | | | | | | | | | |
| Restriction | The condition is TFA+VSA+BFA = 320, otherwise Scrolling mode is undefined. | | | | | | | | | | | | |

| | | | | |
|-----------------------|--|-------------------|-------------------|-------------------|
| | In Vertical Scrolling Mode, MADCTL parameter MV should be set to '0' – this only affects the Frame Memory write. | | | |
| Register availability | Status | | Availability | |
| | Normal Mode On, Idle Mode Off, Sleep Out | | Yes | |
| | Normal Mode On, Idle Mode On, Sleep Out | | Yes | |
| | Partial Mode On, Idle Mode Off, Sleep Out | | Yes | |
| | Partial Mode On, Idle Mode On, Sleep Out | | Yes | |
| | Sleep In | | Yes | |
| Default | Status | Default Value | | |
| | Power On Sequence | TFA[15:0] = 0000h | VSA[0:15] = 0140h | BFA[15:0] = 0000h |
| | S/W Reset | TFA[15:0] = 0000h | VSA[0:15] = 0140h | BFA[15:0] = 0000h |
| | H/W Reset | TFA[15:0] = 0000h | VSA[0:15] = 0140h | BFA[15:0] = 0000h |

1. TO Enter Vertical Scroll Mode:

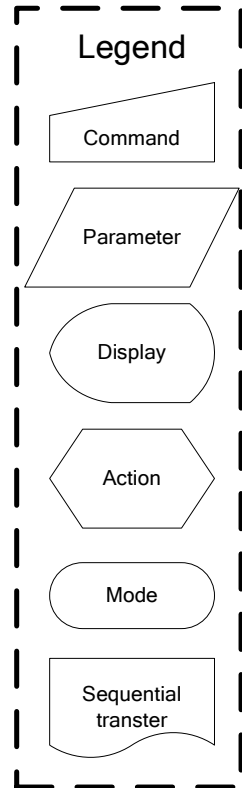
Flow Chart

Only required for non-rolling scrolling



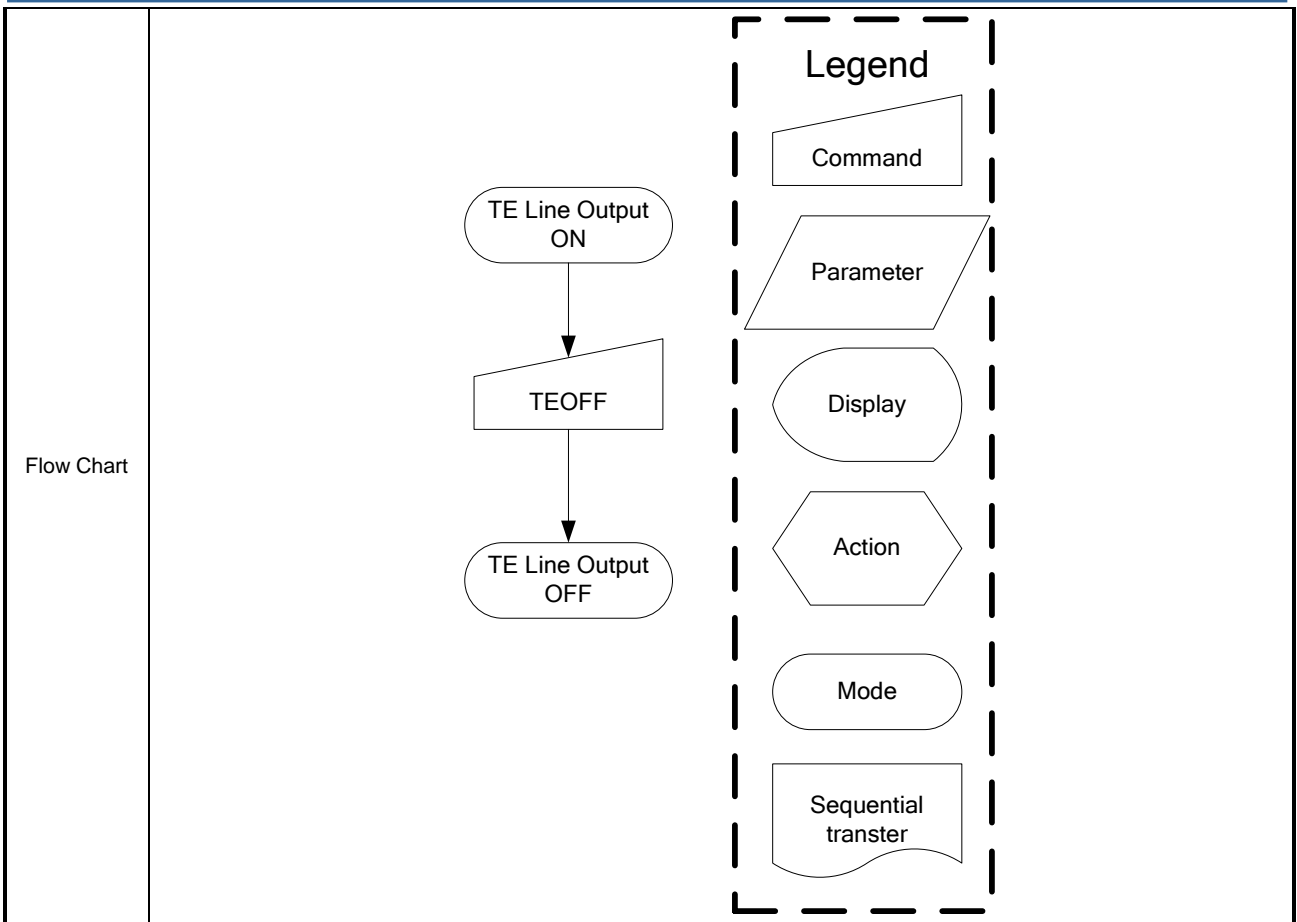
Redefines the Frame Memory Window that the scroll data will be written to.

Optional - It may be necessary to redefine the frame memory write direction.

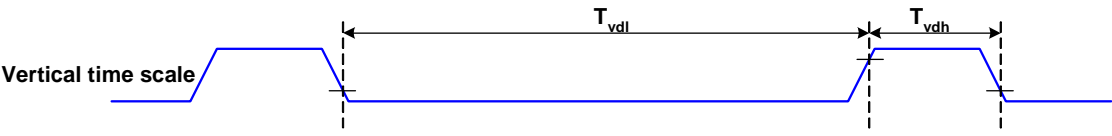
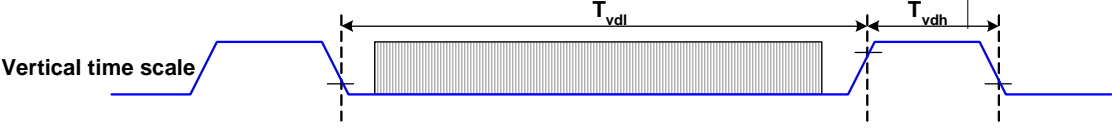


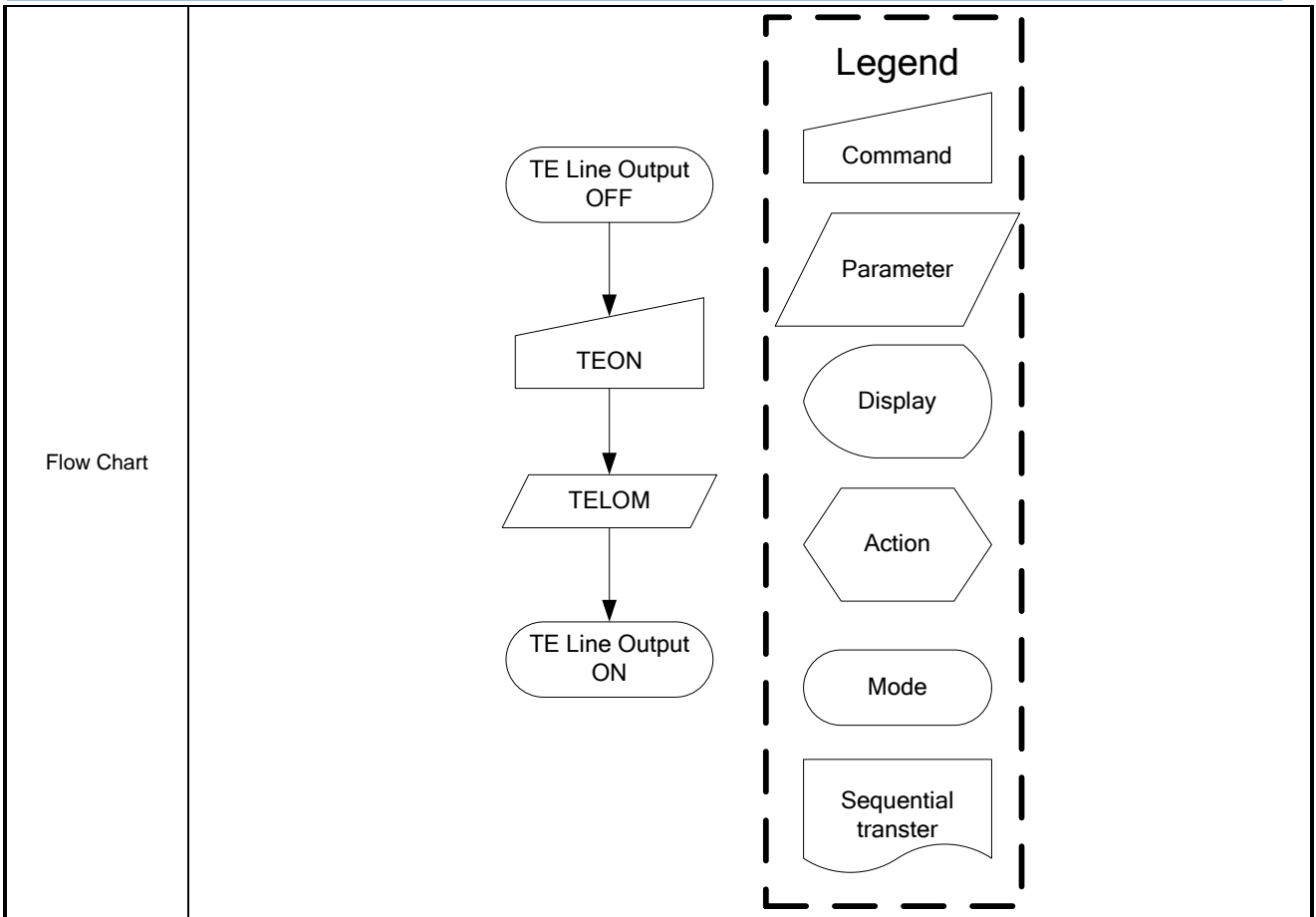
9.1.26 TEOFF (34h): Tearing Effect Line OFF

| 34H | TEOFF (Tearing Effect Line OFF) | | | | | | | | | | | | | | | | | | | | | | | | |
|---|--|-----|-----|-------|----|----|----|----|----|----|----|----|-------|--------|---------------|--|-----|---|-----|---|-----|--|-----|----------|-----|
| Inst / Para | D/CX | WRX | RDX | D17-8 | D7 | D6 | D5 | D4 | D3 | D2 | D1 | D0 | HEX | | | | | | | | | | | | |
| TEOFF | 0 | ↑ | 1 | - | 0 | 0 | 1 | 1 | 0 | 1 | 0 | 0 | (34h) | | | | | | | | | | | | |
| parameter | No Parameter | | | | | | | | | | | | | | | | | | | | | | | | |
| Description | -This command is used to turn OFF (Active Low) the Tearing Effect output signal from the TE signal line. | | | | | | | | | | | | | | | | | | | | | | | | |
| Restriction | This command has no effect when tearing effect output is already off.. | | | | | | | | | | | | | | | | | | | | | | | | |
| Register availability | <table border="1"> <thead> <tr> <th>Status</th> <th>Availability</th> </tr> </thead> <tbody> <tr> <td>Normal Mode On, Idle Mode Off, Sleep Out</td> <td>Yes</td> </tr> <tr> <td>Normal Mode On, Idle Mode On, Sleep Out</td> <td>Yes</td> </tr> <tr> <td>Partial Mode On, Idle Mode Off, Sleep Out</td> <td>Yes</td> </tr> <tr> <td>Partial Mode On, Idle Mode On, Sleep Out</td> <td>Yes</td> </tr> <tr> <td>Sleep In</td> <td>Yes</td> </tr> </tbody> </table> | | | | | | | | | | | | | Status | Availability | Normal Mode On, Idle Mode Off, Sleep Out | Yes | Normal Mode On, Idle Mode On, Sleep Out | Yes | Partial Mode On, Idle Mode Off, Sleep Out | Yes | Partial Mode On, Idle Mode On, Sleep Out | Yes | Sleep In | Yes |
| Status | Availability | | | | | | | | | | | | | | | | | | | | | | | | |
| Normal Mode On, Idle Mode Off, Sleep Out | Yes | | | | | | | | | | | | | | | | | | | | | | | | |
| Normal Mode On, Idle Mode On, Sleep Out | Yes | | | | | | | | | | | | | | | | | | | | | | | | |
| Partial Mode On, Idle Mode Off, Sleep Out | Yes | | | | | | | | | | | | | | | | | | | | | | | | |
| Partial Mode On, Idle Mode On, Sleep Out | Yes | | | | | | | | | | | | | | | | | | | | | | | | |
| Sleep In | Yes | | | | | | | | | | | | | | | | | | | | | | | | |
| Default | <table border="1"> <thead> <tr> <th>Status</th> <th>Default Value</th> </tr> </thead> <tbody> <tr> <td>Power On Sequence</td> <td>Off</td> </tr> <tr> <td>S/W Reset</td> <td>Off</td> </tr> <tr> <td>H/W Reset</td> <td>Off</td> </tr> </tbody> </table> | | | | | | | | | | | | | Status | Default Value | Power On Sequence | Off | S/W Reset | Off | H/W Reset | Off | | | | |
| Status | Default Value | | | | | | | | | | | | | | | | | | | | | | | | |
| Power On Sequence | Off | | | | | | | | | | | | | | | | | | | | | | | | |
| S/W Reset | Off | | | | | | | | | | | | | | | | | | | | | | | | |
| H/W Reset | Off | | | | | | | | | | | | | | | | | | | | | | | | |



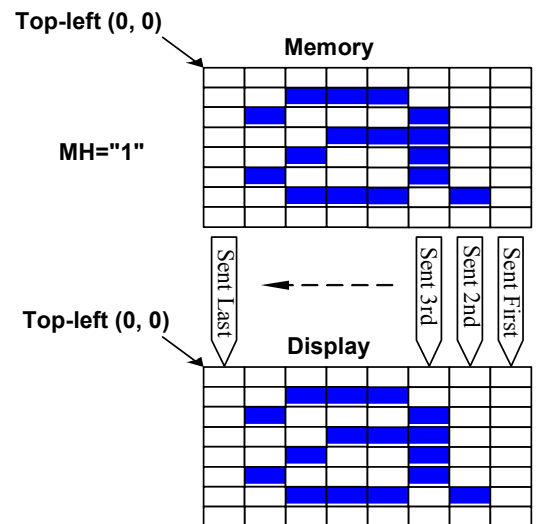
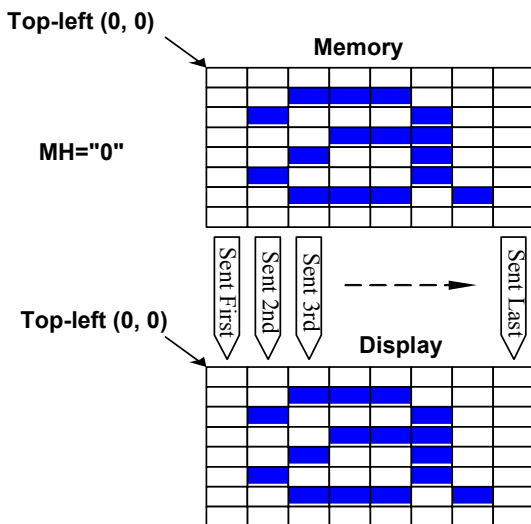
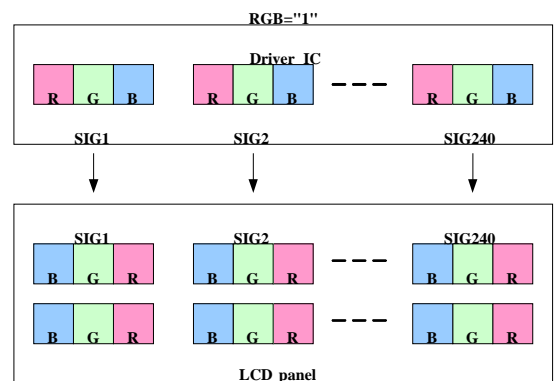
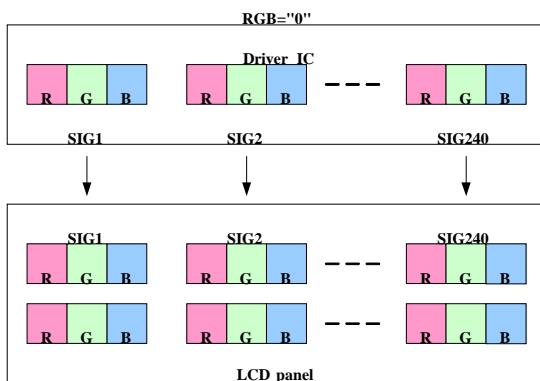
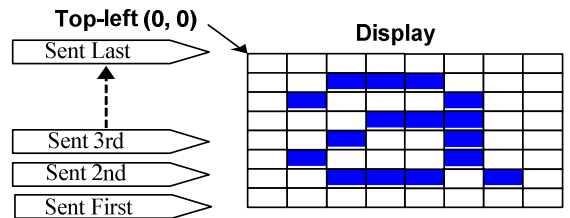
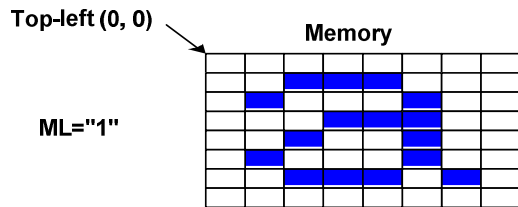
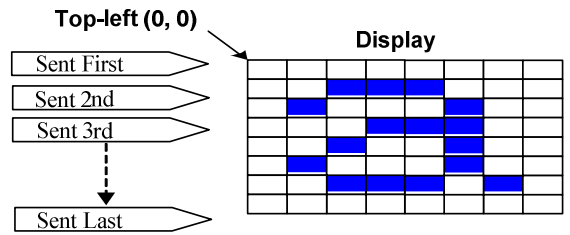
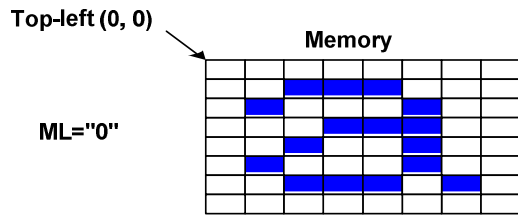
9.1.27 TEON (35h): Tearing Effect Line On

| 35H | TEON (Tearing Effect Line On) | | | | | | | | | | | | | | | | | | | | | | | | |
|---|---|-----|-----|-------|----|----|----|----|----|----|----|-----|-------|--------|---------------|--|-----|---|-----|---|-----|--|-----|----------|-----|
| Inst / Para | D/CX | WRX | RDX | D17-8 | D7 | D6 | D5 | D4 | D3 | D2 | D1 | D0 | HEX | | | | | | | | | | | | |
| TEON | 0 | ↑ | 1 | - | 0 | 0 | 1 | 1 | 0 | 1 | 0 | 1 | (35h) | | | | | | | | | | | | |
| parameter | 1 | ↑ | 1 | - | 0 | 0 | 0 | 0 | 0 | 0 | 0 | TEM | | | | | | | | | | | | | |
| Description | <p>-This command is used to turn ON the Tearing Effect output signal from the TE signal line.</p> <p>-This output is not affected by changing MADCTL bit ML.</p> <p>-The Tearing Effect Line On has one parameter, which describes the mode of the Tearing Effect Output Line:</p> <p>-When TEM = '0': The Tearing Effect output line consists of V-Blanking information only</p>  <p>-When TEM = '1': The Tearing Effect output Line consists of both V-Blanking and H-Blanking information</p>  <p>Note: During Sleep In Mode with Tearing Effect Line On, Tearing Effect Output pin will be active Low.</p> | | | | | | | | | | | | | | | | | | | | | | | | |
| Restriction | This command has no effect when tearing effect output is already on. | | | | | | | | | | | | | | | | | | | | | | | | |
| Register availability | <table border="1"> <thead> <tr> <th>Status</th> <th>Availability</th> </tr> </thead> <tbody> <tr> <td>Normal Mode On, Idle Mode Off, Sleep Out</td> <td>Yes</td> </tr> <tr> <td>Normal Mode On, Idle Mode On, Sleep Out</td> <td>Yes</td> </tr> <tr> <td>Partial Mode On, Idle Mode Off, Sleep Out</td> <td>Yes</td> </tr> <tr> <td>Partial Mode On, Idle Mode On, Sleep Out</td> <td>Yes</td> </tr> <tr> <td>Sleep In</td> <td>Yes</td> </tr> </tbody> </table> | | | | | | | | | | | | | Status | Availability | Normal Mode On, Idle Mode Off, Sleep Out | Yes | Normal Mode On, Idle Mode On, Sleep Out | Yes | Partial Mode On, Idle Mode Off, Sleep Out | Yes | Partial Mode On, Idle Mode On, Sleep Out | Yes | Sleep In | Yes |
| Status | Availability | | | | | | | | | | | | | | | | | | | | | | | | |
| Normal Mode On, Idle Mode Off, Sleep Out | Yes | | | | | | | | | | | | | | | | | | | | | | | | |
| Normal Mode On, Idle Mode On, Sleep Out | Yes | | | | | | | | | | | | | | | | | | | | | | | | |
| Partial Mode On, Idle Mode Off, Sleep Out | Yes | | | | | | | | | | | | | | | | | | | | | | | | |
| Partial Mode On, Idle Mode On, Sleep Out | Yes | | | | | | | | | | | | | | | | | | | | | | | | |
| Sleep In | Yes | | | | | | | | | | | | | | | | | | | | | | | | |
| Default | <table border="1"> <thead> <tr> <th>Status</th> <th>Default Value</th> </tr> </thead> <tbody> <tr> <td>Power On Sequence</td> <td>Off</td> </tr> <tr> <td>S/W Reset</td> <td>Off</td> </tr> <tr> <td>H/W Reset</td> <td>Off</td> </tr> </tbody> </table> | | | | | | | | | | | | | Status | Default Value | Power On Sequence | Off | S/W Reset | Off | H/W Reset | Off | | | | |
| Status | Default Value | | | | | | | | | | | | | | | | | | | | | | | | |
| Power On Sequence | Off | | | | | | | | | | | | | | | | | | | | | | | | |
| S/W Reset | Off | | | | | | | | | | | | | | | | | | | | | | | | |
| H/W Reset | Off | | | | | | | | | | | | | | | | | | | | | | | | |



9.1.28 MADCTL (36h): Memory Data Access Control

| 36H | | MADCTL (Memory Data Access Control) | | | | | | | | | | | | | | | | | | | | | | | | | | | | | | | | |
|---|---|-------------------------------------|--------------------------|-------|----|----|----|----|-----|----|----|----|-------|-----|------|-------------|----|----|--------------------|----|----|----------------------|----|----|-------------------|----|----|--------------------|----|-----|---------------|----|----|--------------------------|
| Inst / Para | D/CX | WRX | RDX | D17-8 | D7 | D6 | D5 | D4 | D3 | D2 | D1 | D0 | HEX | | | | | | | | | | | | | | | | | | | | | |
| MADCTL | 0 | ↑ | 1 | - | 0 | 0 | 1 | 1 | 0 | 1 | 1 | 0 | (36h) | | | | | | | | | | | | | | | | | | | | | |
| parameter | 1 | ↑ | 1 | - | MY | MX | MV | ML | RGB | MH | - | - | | | | | | | | | | | | | | | | | | | | | | |
| Description | -This command defines read/ write scanning direction of frame memory. | | | | | | | | | | | | | | | | | | | | | | | | | | | | | | | | | |
| | <table border="1"> <thead> <tr> <th>Bit</th> <th>NAME</th> <th>DESCRIPTION</th> </tr> </thead> <tbody> <tr> <td>D7</td> <td>MY</td> <td>Page Address Order</td> </tr> <tr> <td>D6</td> <td>MX</td> <td>Column Address Order</td> </tr> <tr> <td>D5</td> <td>MV</td> <td>Page/Column Order</td> </tr> <tr> <td>D4</td> <td>ML</td> <td>Line Address Order</td> </tr> <tr> <td>D3</td> <td>RGB</td> <td>RGB/BGR Order</td> </tr> <tr> <td>D2</td> <td>MH</td> <td>Display Data Latch Order</td> </tr> </tbody> </table> | | | | | | | | | | | | | Bit | NAME | DESCRIPTION | D7 | MY | Page Address Order | D6 | MX | Column Address Order | D5 | MV | Page/Column Order | D4 | ML | Line Address Order | D3 | RGB | RGB/BGR Order | D2 | MH | Display Data Latch Order |
| | Bit | NAME | DESCRIPTION | | | | | | | | | | | | | | | | | | | | | | | | | | | | | | | |
| | D7 | MY | Page Address Order | | | | | | | | | | | | | | | | | | | | | | | | | | | | | | | |
| | D6 | MX | Column Address Order | | | | | | | | | | | | | | | | | | | | | | | | | | | | | | | |
| | D5 | MV | Page/Column Order | | | | | | | | | | | | | | | | | | | | | | | | | | | | | | | |
| | D4 | ML | Line Address Order | | | | | | | | | | | | | | | | | | | | | | | | | | | | | | | |
| | D3 | RGB | RGB/BGR Order | | | | | | | | | | | | | | | | | | | | | | | | | | | | | | | |
| | D2 | MH | Display Data Latch Order | | | | | | | | | | | | | | | | | | | | | | | | | | | | | | | |
| | -Bit Assignment | | | | | | | | | | | | | | | | | | | | | | | | | | | | | | | | | |
| Bit D7- Page Address Order | | | | | | | | | | | | | | | | | | | | | | | | | | | | | | | | | | |
| "0" = Top to Bottom (When MADCTL D7="0"). | | | | | | | | | | | | | | | | | | | | | | | | | | | | | | | | | | |
| "1" = Bottom to Top (When MADCTL D7="1"). | | | | | | | | | | | | | | | | | | | | | | | | | | | | | | | | | | |
| Bit D6- Column Address Order | | | | | | | | | | | | | | | | | | | | | | | | | | | | | | | | | | |
| "0" = Left to Right (When MADCTL D6="0"). | | | | | | | | | | | | | | | | | | | | | | | | | | | | | | | | | | |
| "1" = Right to Left (When MADCTL D6="1"). | | | | | | | | | | | | | | | | | | | | | | | | | | | | | | | | | | |
| Bit D5- Page/Column Order | | | | | | | | | | | | | | | | | | | | | | | | | | | | | | | | | | |
| "0" = Normal Mode (When MADCTL D5="0"). | | | | | | | | | | | | | | | | | | | | | | | | | | | | | | | | | | |
| "1" = Reverse Mode (When MADCTL D5="1") | | | | | | | | | | | | | | | | | | | | | | | | | | | | | | | | | | |
| Note: Bits D7 to D5, also refer to section 8.12 Address Control | | | | | | | | | | | | | | | | | | | | | | | | | | | | | | | | | | |
| Bit D4- Line Address Order | | | | | | | | | | | | | | | | | | | | | | | | | | | | | | | | | | |
| "0" = LCD Refresh Top to Bottom (When MADCTL D4="0") | | | | | | | | | | | | | | | | | | | | | | | | | | | | | | | | | | |
| "1" = LCD Refresh Bottom to Top (When MADCTL D4="1") | | | | | | | | | | | | | | | | | | | | | | | | | | | | | | | | | | |
| Bit D3- RGB/BGR Order | | | | | | | | | | | | | | | | | | | | | | | | | | | | | | | | | | |
| "0" = RGB (When MADCTL D3="0") | | | | | | | | | | | | | | | | | | | | | | | | | | | | | | | | | | |
| "1" = BGR (When MADCTL D3="1") | | | | | | | | | | | | | | | | | | | | | | | | | | | | | | | | | | |
| Bit D2- Display Data Latch Data Order | | | | | | | | | | | | | | | | | | | | | | | | | | | | | | | | | | |
| "0" = LCD Refresh Left to Right (When MADCTL D2="0") | | | | | | | | | | | | | | | | | | | | | | | | | | | | | | | | | | |
| "1" = LCD Refresh Right to Left (When MADCTL D2="1") | | | | | | | | | | | | | | | | | | | | | | | | | | | | | | | | | | |

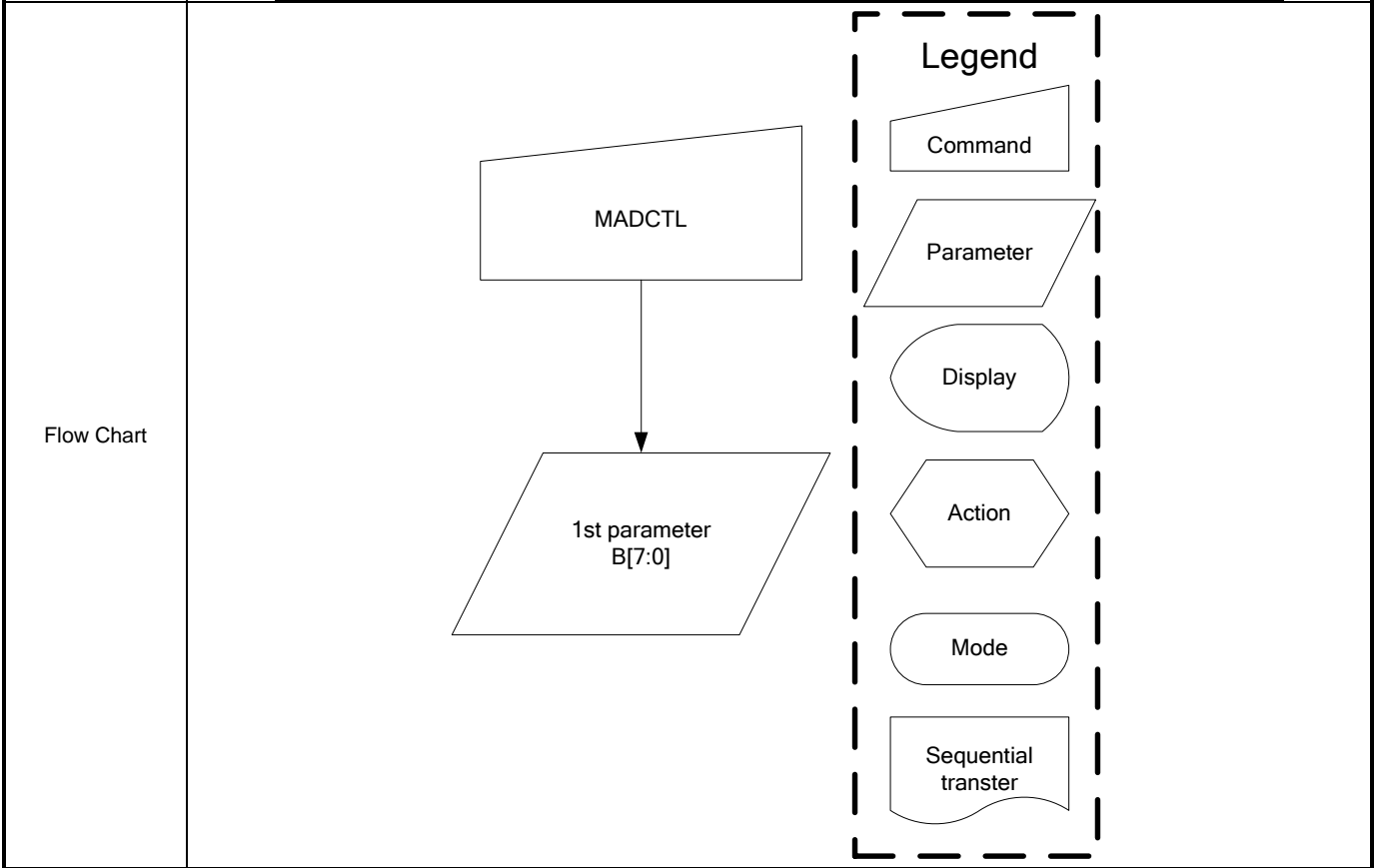


Restriction

Register

| | | |
|--------------|---|--------------|
| availability | Status | Availability |
| | Normal Mode On, Idle Mode Off, Sleep Out | Yes |
| | Normal Mode On, Idle Mode On, Sleep Out | Yes |
| | Partial Mode On, Idle Mode Off, Sleep Out | Yes |
| | Partial Mode On, Idle Mode On, Sleep Out | Yes |
| | Sleep In | Yes |

| | | |
|---------|-------------------|---------------|
| Default | Status | Default Value |
| | Power On Sequence | 0000h |
| | S/W Reset | No change |
| | H/W Reset | 0000h |



9.1.29 VSCSAD (37h): Vertical Scroll Start Address of RAM

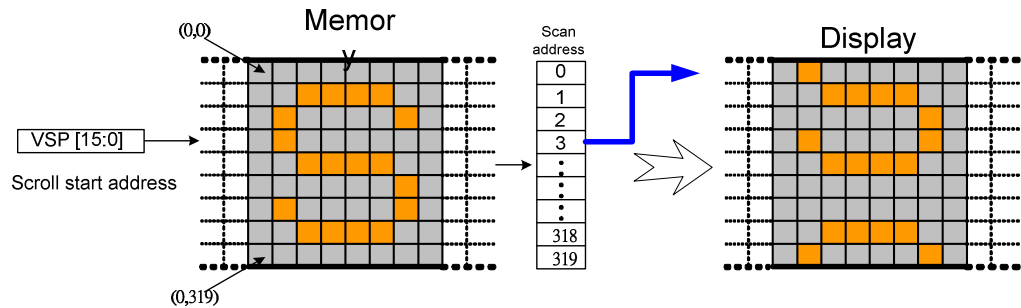
| 37H | VSCSAD (Vertical Scroll Start Address of RAM) | | | | | | | | | | | | |
|---------------------------|---|-----|-----|-------|-------|-------|-------|-------|-------|-------|------|------|-------|
| Inst / Para | D/CX | WRX | RDX | D17-8 | D7 | D6 | D5 | D4 | D3 | D2 | D1 | D0 | HEX |
| VSCSAD | 0 | ↑ | 1 | - | 0 | 0 | 1 | 1 | 0 | 1 | 1 | 1 | (37h) |
| 1 ST parameter | 1 | ↑ | 1 | - | VSP15 | VSP14 | VSP13 | VSP12 | VSP11 | VSP10 | VSP9 | VSP8 | |
| 2 ND parameter | 1 | ↑ | 1 | - | VSP7 | VSP6 | VSP5 | VSP4 | VSP3 | VSP2 | VSP1 | VSP0 | |

-This command is used together with Vertical Scrolling Definition (33h).
 -These two commands describe the scrolling area and the scrolling mode.
 -The Vertical Scrolling Start Address command has one parameter which describes which line in the Frame Memory will be written as the first line after the last line of the Top Fixed Area on the display as illustrated below:

When ML=0

Example:

When Top Fixed Area = Bottom Fixed Area = 00, vertical Scrolling Area = 320 and VSP = '3'

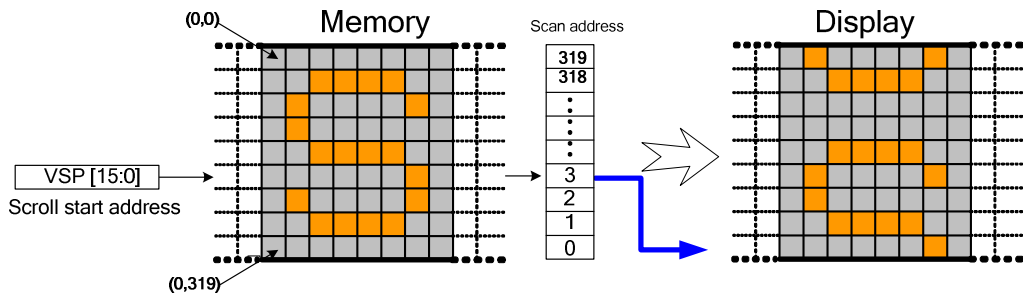


Description

When ML=1

Example:

When Top Fixed Area = Bottom Fixed Area = 00, vertical Scrolling Area = 320 and VSP = '3'



NOTE: When new Pointer position and Picture Data are sent, the result on the display will happen at the next Panel Scan to avoid tearing effect.

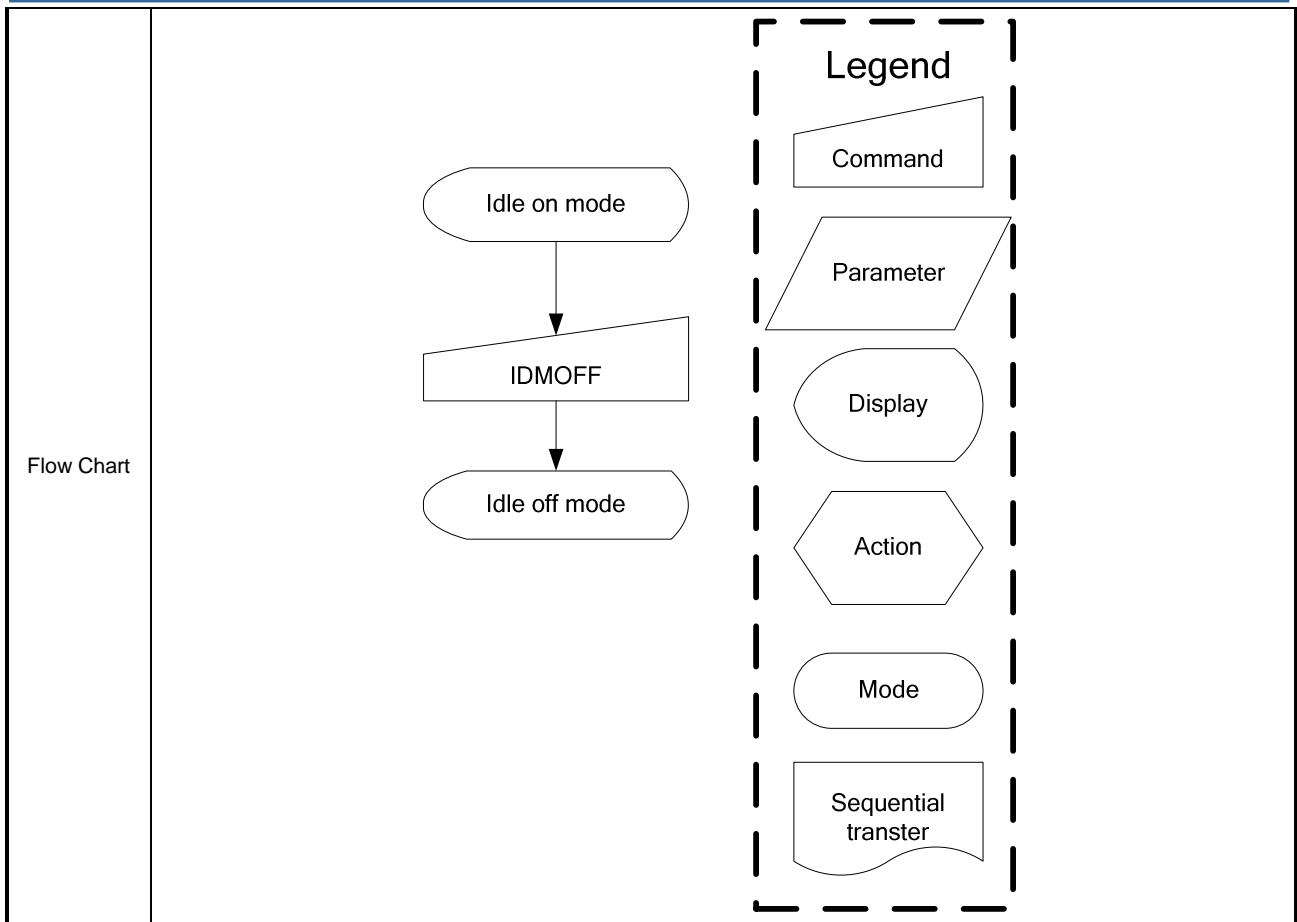
VSP refers to the Frame Memory line Pointer

| | |
|-------------|---|
| Restriction | Since the value of the vertical scrolling start address is absolute (with reference to the frame memory), it must not enter the fixed area (defined by Vertical Scrolling Definition (33h)- otherwise undesirable image will be displayed on the panel) |
| Register | |

| | | | |
|--------------|---|--|---------------|
| availability | Status | | Availability |
| | Normal Mode On, Idle Mode Off, Sleep Out | | Yes |
| | Normal Mode On, Idle Mode On, Sleep Out | | Yes |
| | Partial Mode On, Idle Mode Off, Sleep Out | | Yes |
| | Partial Mode On, Idle Mode On, Sleep Out | | Yes |
| | Sleep In | | Yes |
| Default | Status | | Default Value |
| | Power On Sequence | | 0000h |
| | S/W Reset | | 0000h |
| | H/W Reset | | 0000h |
| Flow Chart | See Vertical Scrolling Definition (33h) description | | |

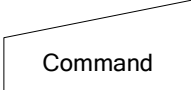

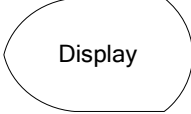

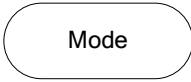
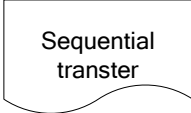
9.1.30 IDMOFF (38h): Idle Mode Off

| 38H | IDMOFF (Idle Mode Off) | | | | | | | | | | | | | | | | | | | | | | | | |
|---|--|-----|-----|-------|----|----|----|----|----|----|----|----|-------|--------|---------------|--|---------------|---|---------------|---|---------------|--|-----|----------|-----|
| Inst / Para | D/CX | WRX | RDX | D17-8 | D7 | D6 | D5 | D4 | D3 | D2 | D1 | D0 | HEX | | | | | | | | | | | | |
| IDMOFF | 0 | ↑ | 1 | - | 0 | 0 | 1 | 1 | 1 | 0 | 0 | 0 | (38h) | | | | | | | | | | | | |
| parameter | No Parameter | | | | | | | | | | | | | | | | | | | | | | | | |
| Description | -This command is used to recover from Idle mode on. -In the idle off mode, 1. LCD can display 4096, 65k or 262k colors. 2. Normal frame frequency is applied. | | | | | | | | | | | | | | | | | | | | | | | | |
| Restriction | This command has no effect when module is already in idle off mode | | | | | | | | | | | | | | | | | | | | | | | | |
| Register availability | <table border="1"> <thead> <tr> <th>Status</th> <th>Availability</th> </tr> </thead> <tbody> <tr> <td>Normal Mode On, Idle Mode Off, Sleep Out</td> <td>Yes</td> </tr> <tr> <td>Normal Mode On, Idle Mode On, Sleep Out</td> <td>Yes</td> </tr> <tr> <td>Partial Mode On, Idle Mode Off, Sleep Out</td> <td>Yes</td> </tr> <tr> <td>Partial Mode On, Idle Mode On, Sleep Out</td> <td>Yes</td> </tr> <tr> <td>Sleep In</td> <td>Yes</td> </tr> </tbody> </table> | | | | | | | | | | | | | Status | Availability | Normal Mode On, Idle Mode Off, Sleep Out | Yes | Normal Mode On, Idle Mode On, Sleep Out | Yes | Partial Mode On, Idle Mode Off, Sleep Out | Yes | Partial Mode On, Idle Mode On, Sleep Out | Yes | Sleep In | Yes |
| Status | Availability | | | | | | | | | | | | | | | | | | | | | | | | |
| Normal Mode On, Idle Mode Off, Sleep Out | Yes | | | | | | | | | | | | | | | | | | | | | | | | |
| Normal Mode On, Idle Mode On, Sleep Out | Yes | | | | | | | | | | | | | | | | | | | | | | | | |
| Partial Mode On, Idle Mode Off, Sleep Out | Yes | | | | | | | | | | | | | | | | | | | | | | | | |
| Partial Mode On, Idle Mode On, Sleep Out | Yes | | | | | | | | | | | | | | | | | | | | | | | | |
| Sleep In | Yes | | | | | | | | | | | | | | | | | | | | | | | | |
| Default | <table border="1"> <thead> <tr> <th>Status</th> <th>Default Value</th> </tr> </thead> <tbody> <tr> <td>Power On Sequence</td> <td>Idle mode off</td> </tr> <tr> <td>S/W Reset</td> <td>Idle mode off</td> </tr> <tr> <td>H/W Reset</td> <td>Idle mode off</td> </tr> </tbody> </table> | | | | | | | | | | | | | Status | Default Value | Power On Sequence | Idle mode off | S/W Reset | Idle mode off | H/W Reset | Idle mode off | | | | |
| Status | Default Value | | | | | | | | | | | | | | | | | | | | | | | | |
| Power On Sequence | Idle mode off | | | | | | | | | | | | | | | | | | | | | | | | |
| S/W Reset | Idle mode off | | | | | | | | | | | | | | | | | | | | | | | | |
| H/W Reset | Idle mode off | | | | | | | | | | | | | | | | | | | | | | | | |



9.1.31 IDMON (39h): Idle mode on

| 39H | IDMON (Idle Mode On) | | | | | | | | | | | | HEX | | | | | | | | | | | | | | | | | | | | | | | | | | | | | | | | | | | |
|---|---|----------------------|----------------------|-------|----|----|----|----|----|----|----|----|-------|--------|----------------------|--|----------------------|---|--------|---|--------|--|--------|----------|--------|-----|--------|--------|--------|---------|--------|--------|--------|-------|--------|--------|--------|------|--------|--------|--------|--------|--------|--------|--------|-------|--------|--------|
| Inst / Para | D/CX | WRX | RDX | D17-8 | D7 | D6 | D5 | D4 | D3 | D2 | D1 | D0 | HEX | | | | | | | | | | | | | | | | | | | | | | | | | | | | | | | | | | | |
| IDMON | 0 | ↑ | 1 | - | 0 | 0 | 1 | 1 | 1 | 0 | 0 | 1 | (39h) | | | | | | | | | | | | | | | | | | | | | | | | | | | | | | | | | | | |
| parameter | No Parameter | | | | | | | | | | | | | | | | | | | | | | | | | | | | | | | | | | | | | | | | | | | | | | | |
| Description | <p>-This command is used to enter into Idle mode on.</p> <p>-There will be no abnormal visible effect on the display mode change transition.</p> <p>-In the idle on mode,</p> <ol style="list-style-type: none"> 1. Color expression is reduced. The primary and the secondary colors using MSB of each R,G and B in the Frame Memory, 8 color depth data is displayed. 2. 8-Color mode frame frequency is applied. 3. Exit from IDMON by Idle Mode Off (38h) command | | | | | | | | | | | | | | | | | | | | | | | | | | | | | | | | | | | | | | | | | | | | | | | |
| | <p>(Example) Memory Display</p> <table border="1"> <thead> <tr> <th>Color</th> <th>R5 R4 R3 R2 R1 R0</th> <th>G5 G4 G3 G2 G1 G0</th> <th>B5 B4 B3 B2 B1 B0</th> </tr> </thead> <tbody> <tr> <td>Black</td> <td>0xxxxx</td> <td>0xxxxx</td> <td>0xxxxx</td> </tr> <tr> <td>Blue</td> <td>0xxxxx</td> <td>0xxxxx</td> <td>1xxxxx</td> </tr> <tr> <td>Red</td> <td>1xxxxx</td> <td>0xxxxx</td> <td>0xxxxx</td> </tr> <tr> <td>Magenta</td> <td>1xxxxx</td> <td>0xxxxx</td> <td>1xxxxx</td> </tr> <tr> <td>Green</td> <td>0xxxxx</td> <td>1xxxxx</td> <td>0xxxxx</td> </tr> <tr> <td>Cyan</td> <td>0xxxxx</td> <td>1xxxxx</td> <td>1xxxxx</td> </tr> <tr> <td>Yellow</td> <td>1xxxxx</td> <td>1xxxxx</td> <td>0xxxxx</td> </tr> <tr> <td>White</td> <td>1xxxxx</td> <td>1xxxxx</td> <td>1xxxxx</td> </tr> </tbody> </table> | | | | | | | | | | | | | Color | R5 R4 R3 R2 R1 R0 | G5 G4 G3 G2 G1 G0 | B5 B4 B3 B2 B1 B0 | Black | 0xxxxx | 0xxxxx | 0xxxxx | Blue | 0xxxxx | 0xxxxx | 1xxxxx | Red | 1xxxxx | 0xxxxx | 0xxxxx | Magenta | 1xxxxx | 0xxxxx | 1xxxxx | Green | 0xxxxx | 1xxxxx | 0xxxxx | Cyan | 0xxxxx | 1xxxxx | 1xxxxx | Yellow | 1xxxxx | 1xxxxx | 0xxxxx | White | 1xxxxx | 1xxxxx |
| Color | R5 R4 R3 R2 R1 R0 | G5 G4 G3 G2 G1 G0 | B5 B4 B3 B2 B1 B0 | | | | | | | | | | | | | | | | | | | | | | | | | | | | | | | | | | | | | | | | | | | | | |
| Black | 0xxxxx | 0xxxxx | 0xxxxx | | | | | | | | | | | | | | | | | | | | | | | | | | | | | | | | | | | | | | | | | | | | | |
| Blue | 0xxxxx | 0xxxxx | 1xxxxx | | | | | | | | | | | | | | | | | | | | | | | | | | | | | | | | | | | | | | | | | | | | | |
| Red | 1xxxxx | 0xxxxx | 0xxxxx | | | | | | | | | | | | | | | | | | | | | | | | | | | | | | | | | | | | | | | | | | | | | |
| Magenta | 1xxxxx | 0xxxxx | 1xxxxx | | | | | | | | | | | | | | | | | | | | | | | | | | | | | | | | | | | | | | | | | | | | | |
| Green | 0xxxxx | 1xxxxx | 0xxxxx | | | | | | | | | | | | | | | | | | | | | | | | | | | | | | | | | | | | | | | | | | | | | |
| Cyan | 0xxxxx | 1xxxxx | 1xxxxx | | | | | | | | | | | | | | | | | | | | | | | | | | | | | | | | | | | | | | | | | | | | | |
| Yellow | 1xxxxx | 1xxxxx | 0xxxxx | | | | | | | | | | | | | | | | | | | | | | | | | | | | | | | | | | | | | | | | | | | | | |
| White | 1xxxxx | 1xxxxx | 1xxxxx | | | | | | | | | | | | | | | | | | | | | | | | | | | | | | | | | | | | | | | | | | | | | |
| Restriction | This command has no effect when module is already in idle off mode | | | | | | | | | | | | | | | | | | | | | | | | | | | | | | | | | | | | | | | | | | | | | | | |
| Register availability | <table border="1"> <thead> <tr> <th>Status</th> <th>Availability</th> </tr> </thead> <tbody> <tr> <td>Normal Mode On, Idle Mode Off, Sleep Out</td> <td>Yes</td> </tr> <tr> <td>Normal Mode On, Idle Mode On, Sleep Out</td> <td>Yes</td> </tr> <tr> <td>Partial Mode On, Idle Mode Off, Sleep Out</td> <td>Yes</td> </tr> <tr> <td>Partial Mode On, Idle Mode On, Sleep Out</td> <td>Yes</td> </tr> <tr> <td>Sleep In</td> <td>Yes</td> </tr> </tbody> </table> | | | | | | | | | | | | | Status | Availability | Normal Mode On, Idle Mode Off, Sleep Out | Yes | Normal Mode On, Idle Mode On, Sleep Out | Yes | Partial Mode On, Idle Mode Off, Sleep Out | Yes | Partial Mode On, Idle Mode On, Sleep Out | Yes | Sleep In | Yes | | | | | | | | | | | | | | | | | | | | | | | |
| Status | Availability | | | | | | | | | | | | | | | | | | | | | | | | | | | | | | | | | | | | | | | | | | | | | | | |
| Normal Mode On, Idle Mode Off, Sleep Out | Yes | | | | | | | | | | | | | | | | | | | | | | | | | | | | | | | | | | | | | | | | | | | | | | | |
| Normal Mode On, Idle Mode On, Sleep Out | Yes | | | | | | | | | | | | | | | | | | | | | | | | | | | | | | | | | | | | | | | | | | | | | | | |
| Partial Mode On, Idle Mode Off, Sleep Out | Yes | | | | | | | | | | | | | | | | | | | | | | | | | | | | | | | | | | | | | | | | | | | | | | | |
| Partial Mode On, Idle Mode On, Sleep Out | Yes | | | | | | | | | | | | | | | | | | | | | | | | | | | | | | | | | | | | | | | | | | | | | | | |
| Sleep In | Yes | | | | | | | | | | | | | | | | | | | | | | | | | | | | | | | | | | | | | | | | | | | | | | | |

| Default | <table border="1" data-bbox="438 230 1299 436"> <thead> <tr> <th data-bbox="438 230 879 282">Status</th> <th data-bbox="879 230 1299 282">Default Value</th> </tr> </thead> <tbody> <tr> <td data-bbox="438 282 879 333">Power On Sequence</td> <td data-bbox="879 282 1299 333">Idle mode off</td> </tr> <tr> <td data-bbox="438 333 879 385">S/W Reset</td> <td data-bbox="879 333 1299 385">Idle mode off</td> </tr> <tr> <td data-bbox="438 385 879 436">H/W Reset</td> <td data-bbox="879 385 1299 436">Idle mode off</td> </tr> </tbody> </table> | | Status | Default Value | Power On Sequence | Idle mode off | S/W Reset | Idle mode off | H/W Reset | Idle mode off |
|-------------------|---|--|--------|---------------|-------------------|---------------|-----------|---------------|-----------|---------------|
| Status | Default Value | | | | | | | | | |
| Power On Sequence | Idle mode off | | | | | | | | | |
| S/W Reset | Idle mode off | | | | | | | | | |
| H/W Reset | Idle mode off | | | | | | | | | |
| Flow Chart | <div data-bbox="564 629 839 1008"> <pre> graph TD A([Idle off mode]) --> B[/IDMON/] B --> C([Idle on mode]) </pre> </div> <div data-bbox="898 443 1161 1344"> <p>Legend</p> <ul style="list-style-type: none">  Command  Parameter  Display  Action  Mode  Sequential transfer </div> | | | | | | | | | |

9.1.32 COLMOD (3Ah): Interface Pixel Format

| 3AH | COLMOD (Interface Pixel Format) | | | | | | | | | | | | | | | | | | | | | | | | | | | | | | |
|---|--|--|-----|-------|----|----|----|----|----|----|----|----|-------|--------|---------------|--|-------------|---|------------|---|----------------------------|---|-----|----------|-----|---|------------|----|--------------------------------|--|----|
| Inst / Para | D/CX | WRX | RDX | D17-8 | D7 | D6 | D5 | D4 | D3 | D2 | D1 | D0 | HEX | | | | | | | | | | | | | | | | | | |
| COLMOD | 0 | ↑ | 1 | - | 0 | 0 | 1 | 1 | 1 | 0 | 1 | 0 | (3Ah) | | | | | | | | | | | | | | | | | | |
| 1 st Parameter | 1 | ↑ | 1 | - | 0 | D6 | D5 | D4 | 0 | D2 | D1 | D0 | | | | | | | | | | | | | | | | | | | |
| Description | This command is used to define the format of RGB picture data, which is to be transferred via the MCU interface. The formats are shown in the table: 1 st parameter: | | | | | | | | | | | | | | | | | | | | | | | | | | | | | | |
| | <table border="1"> <thead> <tr> <th>Bit</th> <th>Description</th> <th></th> </tr> </thead> <tbody> <tr> <td>D7</td> <td>-</td> <td>Set to '0'</td> </tr> <tr> <td>D6</td> <td rowspan="3">RGB interface color format</td> <td rowspan="3">'101' = 65K of RGB interface '110' = 262K of RGB interface</td> </tr> <tr> <td>D5</td> </tr> <tr> <td>D4</td> </tr> <tr> <td>D3</td> <td>-</td> <td>Set to '0'</td> </tr> <tr> <td>D2</td> <td rowspan="3">Control interface color format</td> <td rowspan="3">'011' = 12bit/pixel '101' = 16bit/pixel '110' = 18bit/pixel '111' = 16M truncated</td> </tr> <tr> <td>D1</td> </tr> <tr> <td>D0</td> </tr> </tbody> </table> <p>Note1: In 12-bit/Pixel, 16-bit/Pixel or 18-bit/Pixel mode, the LUT is applied to transfer data into the Frame Memory. Note2: The Command 3Ah should be set at 55h when writing 16-bit/pixel data into frame memory, but 3Ah should be re-set to 66h when reading pixel data from frame memory.</p> | | | | | | | | | | | | | Bit | Description | | D7 | - | Set to '0' | D6 | RGB interface color format | '101' = 65K of RGB interface '110' = 262K of RGB interface | D5 | D4 | D3 | - | Set to '0' | D2 | Control interface color format | '011' = 12bit/pixel '101' = 16bit/pixel '110' = 18bit/pixel '111' = 16M truncated | D1 |
| Bit | Description | | | | | | | | | | | | | | | | | | | | | | | | | | | | | | |
| D7 | - | Set to '0' | | | | | | | | | | | | | | | | | | | | | | | | | | | | | |
| D6 | RGB interface color format | '101' = 65K of RGB interface '110' = 262K of RGB interface | | | | | | | | | | | | | | | | | | | | | | | | | | | | | |
| D5 | | | | | | | | | | | | | | | | | | | | | | | | | | | | | | | |
| D4 | | | | | | | | | | | | | | | | | | | | | | | | | | | | | | | |
| D3 | - | Set to '0' | | | | | | | | | | | | | | | | | | | | | | | | | | | | | |
| D2 | Control interface color format | '011' = 12bit/pixel '101' = 16bit/pixel '110' = 18bit/pixel '111' = 16M truncated | | | | | | | | | | | | | | | | | | | | | | | | | | | | | |
| D1 | | | | | | | | | | | | | | | | | | | | | | | | | | | | | | | |
| D0 | | | | | | | | | | | | | | | | | | | | | | | | | | | | | | | |
| Restriction | | | | | | | | | | | | | | | | | | | | | | | | | | | | | | | |
| Register availability | <table border="1"> <thead> <tr> <th>Status</th> <th>Availability</th> </tr> </thead> <tbody> <tr> <td>Normal Mode On, Idle Mode Off, Sleep Out</td> <td>Yes</td> </tr> <tr> <td>Normal Mode On, Idle Mode On, Sleep Out</td> <td>Yes</td> </tr> <tr> <td>Partial Mode On, Idle Mode Off, Sleep Out</td> <td>Yes</td> </tr> <tr> <td>Partial Mode On, Idle Mode On, Sleep Out</td> <td>Yes</td> </tr> <tr> <td>Sleep In</td> <td>Yes</td> </tr> </tbody> </table> | | | | | | | | | | | | | Status | Availability | Normal Mode On, Idle Mode Off, Sleep Out | Yes | Normal Mode On, Idle Mode On, Sleep Out | Yes | Partial Mode On, Idle Mode Off, Sleep Out | Yes | Partial Mode On, Idle Mode On, Sleep Out | Yes | Sleep In | Yes | | | | | | |
| | Status | Availability | | | | | | | | | | | | | | | | | | | | | | | | | | | | | |
| Normal Mode On, Idle Mode Off, Sleep Out | Yes | | | | | | | | | | | | | | | | | | | | | | | | | | | | | | |
| Normal Mode On, Idle Mode On, Sleep Out | Yes | | | | | | | | | | | | | | | | | | | | | | | | | | | | | | |
| Partial Mode On, Idle Mode Off, Sleep Out | Yes | | | | | | | | | | | | | | | | | | | | | | | | | | | | | | |
| Partial Mode On, Idle Mode On, Sleep Out | Yes | | | | | | | | | | | | | | | | | | | | | | | | | | | | | | |
| Sleep In | Yes | | | | | | | | | | | | | | | | | | | | | | | | | | | | | | |
| Default | <table border="1"> <thead> <tr> <th>Status</th> <th>Default Value</th> </tr> </thead> <tbody> <tr> <td>Power On Sequence</td> <td>18bit/pixel</td> </tr> <tr> <td>S/W Reset</td> <td>No change</td> </tr> <tr> <td>H/W Reset</td> <td>18bit/pixel</td> </tr> </tbody> </table> | | | | | | | | | | | | | Status | Default Value | Power On Sequence | 18bit/pixel | S/W Reset | No change | H/W Reset | 18bit/pixel | | | | | | | | | | |
| Status | Default Value | | | | | | | | | | | | | | | | | | | | | | | | | | | | | | |
| Power On Sequence | 18bit/pixel | | | | | | | | | | | | | | | | | | | | | | | | | | | | | | |
| S/W Reset | No change | | | | | | | | | | | | | | | | | | | | | | | | | | | | | | |
| H/W Reset | 18bit/pixel | | | | | | | | | | | | | | | | | | | | | | | | | | | | | | |
| Flow Chart | See Vertical Scrolling Definition (33h) description | | | | | | | | | | | | | | | | | | | | | | | | | | | | | | |

9.1.33 WRMEMC (3Ch): Write Memory Continue

| 3CH | WRMEMC (Write Memory Continue) | | | | | | | | | | | | | | | | | | | | | | | | |
|---|--|-----|-----|--------------|-------|-------|-------|-------|-------|-------|-------|-------|-------|--------|--------------|--|-----|---|-----|---|-----|--|-----|----------|-----|
| Inst / Para | D/CX | WRX | RDX | D17-8 | D7 | D6 | D5 | D4 | D3 | D2 | D1 | D0 | HEX | | | | | | | | | | | | |
| WRMEMC | 0 | ↑ | 1 | - | 0 | 0 | 1 | 1 | 1 | 1 | 0 | 0 | (3Ch) | | | | | | | | | | | | |
| 1 ST parameter | 1 | ↑ | 1 | D1[17]-D1[8] | D1[7] | D1[6] | D1[5] | D1[4] | D1[3] | D1[2] | D1[1] | D1[0] | | | | | | | | | | | | | |
| : | 1 | ↑ | 1 | Dx[17]-Dx[8] | Dx[7] | Dx[6] | Dx[5] | Dx[4] | Dx[3] | Dx[2] | Dx[1] | Dx[0] | | | | | | | | | | | | | |
| N th parameter | 1 | ↑ | 1 | Dn[17]-Dn[8] | Dn[7] | Dn[6] | Dn[5] | Dn[4] | Dn[3] | Dn[2] | Dn[1] | Dn[0] | | | | | | | | | | | | | |
| Description | <p>-This command transfers image data from the host processor to the display module's frame memory continuing from the pixel location following the previous write memory continue or memory write command.</p> <p>-If MV=0: Data is written continuing from the pixel location after the write range of the previous memory write or write memory continue. The column register is then incremented and pixels are written to the frame memory until the column register equals the end column (XE) value. The column register is then reset to XS and the page register is incremented. Pixels are written to the frame memory until the page register equals the end page (YE) value and the column register equals the XE value, or the host processor sends another command. If the number of pixels exceeds $(XE-XS+1)*(YE-YS+1)$ the extra pixels are ignored.</p> <p>If MV=1: Data is written continuing from the pixel location after the write range of the previous memory write or write memory continue. The page register is then incremented and pixels are written to the frame memory until the page register equals the end page (YE) value. The page register is then reset to YS and the column register is incremented. Pixels are written to the frame memory until the column register equals the end column (XE) value and the page register equals the YE value, or the host processor sends another command. If the number of pixels exceeds $(XE-XS+1)*(YE-YS+1)$ the extra pixels are ignored.</p> | | | | | | | | | | | | | | | | | | | | | | | | |
| Restriction | A memory write should follow a column address set or page address set to define the write address. Otherwise, data written with write memory continue is written to undefined addresses. | | | | | | | | | | | | | | | | | | | | | | | | |
| Register availability | <table border="1"> <thead> <tr> <th>Status</th> <th>Availability</th> </tr> </thead> <tbody> <tr> <td>Normal Mode On, Idle Mode Off, Sleep Out</td> <td>Yes</td> </tr> <tr> <td>Normal Mode On, Idle Mode On, Sleep Out</td> <td>Yes</td> </tr> <tr> <td>Partial Mode On, Idle Mode Off, Sleep Out</td> <td>Yes</td> </tr> <tr> <td>Partial Mode On, Idle Mode On, Sleep Out</td> <td>Yes</td> </tr> <tr> <td>Sleep In</td> <td>Yes</td> </tr> </tbody> </table> | | | | | | | | | | | | | Status | Availability | Normal Mode On, Idle Mode Off, Sleep Out | Yes | Normal Mode On, Idle Mode On, Sleep Out | Yes | Partial Mode On, Idle Mode Off, Sleep Out | Yes | Partial Mode On, Idle Mode On, Sleep Out | Yes | Sleep In | Yes |
| Status | Availability | | | | | | | | | | | | | | | | | | | | | | | | |
| Normal Mode On, Idle Mode Off, Sleep Out | Yes | | | | | | | | | | | | | | | | | | | | | | | | |
| Normal Mode On, Idle Mode On, Sleep Out | Yes | | | | | | | | | | | | | | | | | | | | | | | | |
| Partial Mode On, Idle Mode Off, Sleep Out | Yes | | | | | | | | | | | | | | | | | | | | | | | | |
| Partial Mode On, Idle Mode On, Sleep Out | Yes | | | | | | | | | | | | | | | | | | | | | | | | |
| Sleep In | Yes | | | | | | | | | | | | | | | | | | | | | | | | |

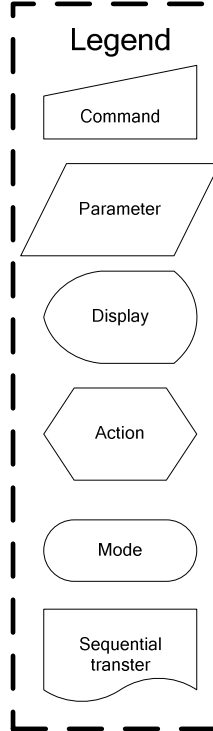
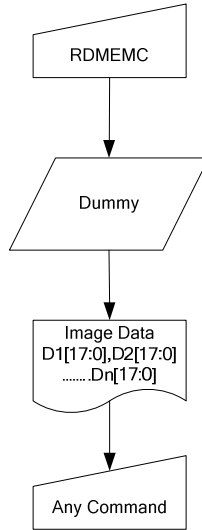
| Default | <table border="1"> <thead> <tr> <th>Status</th> <th>Default Value</th> </tr> </thead> <tbody> <tr> <td>Power On Sequence</td> <td>Contents of memory is set randomly</td> </tr> <tr> <td>S/W Reset</td> <td>Contents of memory is not cleared</td> </tr> <tr> <td>H/W Reset</td> <td>Contents of memory is not cleared</td> </tr> </tbody> </table> | Status | Default Value | Power On Sequence | Contents of memory is set randomly | S/W Reset | Contents of memory is not cleared | H/W Reset | Contents of memory is not cleared |
|------------|---|------------------------------------|---------------|-------------------|------------------------------------|-----------|-----------------------------------|-----------|-----------------------------------|
| | Status | Default Value | | | | | | | |
| | Power On Sequence | Contents of memory is set randomly | | | | | | | |
| | S/W Reset | Contents of memory is not cleared | | | | | | | |
| H/W Reset | Contents of memory is not cleared | | | | | | | | |
| Flow Chart | <pre> graph TD A[WRMEMC] --> B[Image Data D1[17:0], D2[17:0] Dn[17:0]] B --> C[Any Command] </pre> <p>Legend</p> <ul style="list-style-type: none"> Command Parameter Display Action Mode Sequential transfer | | | | | | | | |

9.1.34 RDMEMC (3Eh): Read Memory Continue

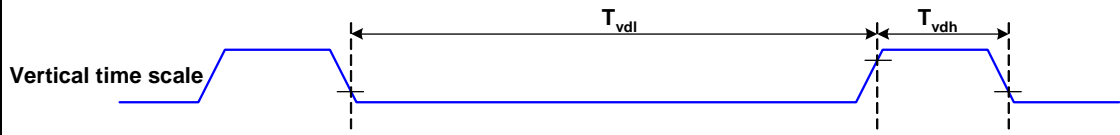
| 3EH | RDMEMC (Read Memory Continue) | | | | | | | | | | | | | | | | | | | | | | | | |
|---|--|-----|-----|--------------|-------|-------|-------|-------|-------|-------|-------|-------|-------|--------|---------------|--|------------------------------------|---|-----------------------------------|---|-----|--|-----|----------|-----|
| Inst / Para | D/CX | WRX | RDX | D17-8 | D7 | D6 | D5 | D4 | D3 | D2 | D1 | D0 | HEX | | | | | | | | | | | | |
| RDMEMC | 0 | ↑ | 1 | - | 0 | 0 | 1 | 1 | 1 | 1 | 1 | 0 | (3Eh) | | | | | | | | | | | | |
| 1 ST parameter | 1 | 1 | ↑ | - | - | - | - | - | - | - | - | - | | | | | | | | | | | | | |
| 2 nd parameter | 1 | 1 | ↑ | D1[17]-D1[8] | D1[7] | D1[6] | D1[5] | D1[4] | D1[3] | D1[2] | D1[1] | D1[0] | | | | | | | | | | | | | |
| ⋮ | 1 | 1 | ↑ | Dx[17]-Dx[8] | Dx[7] | Dx[6] | Dx[5] | Dx[4] | Dx[3] | Dx[2] | Dx[1] | Dx[0] | | | | | | | | | | | | | |
| N th parameter | 1 | 1 | ↑ | Dn[17]-Dn[8] | Dn[7] | Dn[6] | Dn[5] | Dn[4] | Dn[3] | Dn[2] | Dn[1] | Dn[0] | | | | | | | | | | | | | |
| Description | <p>-This command transfers image data from the host processor to the display module's frame memory continuing from the pixel location following the previous read memory continue or memory read command.</p> <p>-If MV=0:</p> <p>Pixels are read continuing from the pixel location after the read range of the previous memory read or read memory continue. The column register is then incremented and pixels are read from the frame memory until the column register equals the end column (XE) value. The column register is then reset to XS and the page register is incremented. Pixels are read from the frame memory until the page register equals the end page (YE) value and the column register equals the XE value, or the host processor sends another command.</p> <p>If MV=1:</p> <p>Pixels are read continuing from the pixel location after the read range of the previous memory read or read memory continue. The page register is then incremented and pixels are read from the frame memory until the page register equals the end page (YE) value. The page register is then reset to YS and the column register is incremented. Pixels are read from the frame memory until the column register equals the end column (XE) value and the page register equals the YE value, or the host processor sends another command.</p> | | | | | | | | | | | | | | | | | | | | | | | | |
| Restriction | Regardless of the color mode set in interface pixel format, the pixel format returned by read memory continue is always 18-bit so there is no restriction on the length of data | | | | | | | | | | | | | | | | | | | | | | | | |
| Register availability | <table border="1"> <thead> <tr> <th>Status</th> <th>Availability</th> </tr> </thead> <tbody> <tr> <td>Normal Mode On, Idle Mode Off, Sleep Out</td> <td>Yes</td> </tr> <tr> <td>Normal Mode On, Idle Mode On, Sleep Out</td> <td>Yes</td> </tr> <tr> <td>Partial Mode On, Idle Mode Off, Sleep Out</td> <td>Yes</td> </tr> <tr> <td>Partial Mode On, Idle Mode On, Sleep Out</td> <td>Yes</td> </tr> <tr> <td>Sleep In</td> <td>Yes</td> </tr> </tbody> </table> | | | | | | | | | | | | | Status | Availability | Normal Mode On, Idle Mode Off, Sleep Out | Yes | Normal Mode On, Idle Mode On, Sleep Out | Yes | Partial Mode On, Idle Mode Off, Sleep Out | Yes | Partial Mode On, Idle Mode On, Sleep Out | Yes | Sleep In | Yes |
| Status | Availability | | | | | | | | | | | | | | | | | | | | | | | | |
| Normal Mode On, Idle Mode Off, Sleep Out | Yes | | | | | | | | | | | | | | | | | | | | | | | | |
| Normal Mode On, Idle Mode On, Sleep Out | Yes | | | | | | | | | | | | | | | | | | | | | | | | |
| Partial Mode On, Idle Mode Off, Sleep Out | Yes | | | | | | | | | | | | | | | | | | | | | | | | |
| Partial Mode On, Idle Mode On, Sleep Out | Yes | | | | | | | | | | | | | | | | | | | | | | | | |
| Sleep In | Yes | | | | | | | | | | | | | | | | | | | | | | | | |
| Default | <table border="1"> <thead> <tr> <th>Status</th> <th>Default Value</th> </tr> </thead> <tbody> <tr> <td>Power On Sequence</td> <td>Contents of memory is set randomly</td> </tr> <tr> <td>S/W Reset</td> <td>Contents of memory is not cleared</td> </tr> </tbody> </table> | | | | | | | | | | | | | Status | Default Value | Power On Sequence | Contents of memory is set randomly | S/W Reset | Contents of memory is not cleared | | | | | | |
| Status | Default Value | | | | | | | | | | | | | | | | | | | | | | | | |
| Power On Sequence | Contents of memory is set randomly | | | | | | | | | | | | | | | | | | | | | | | | |
| S/W Reset | Contents of memory is not cleared | | | | | | | | | | | | | | | | | | | | | | | | |

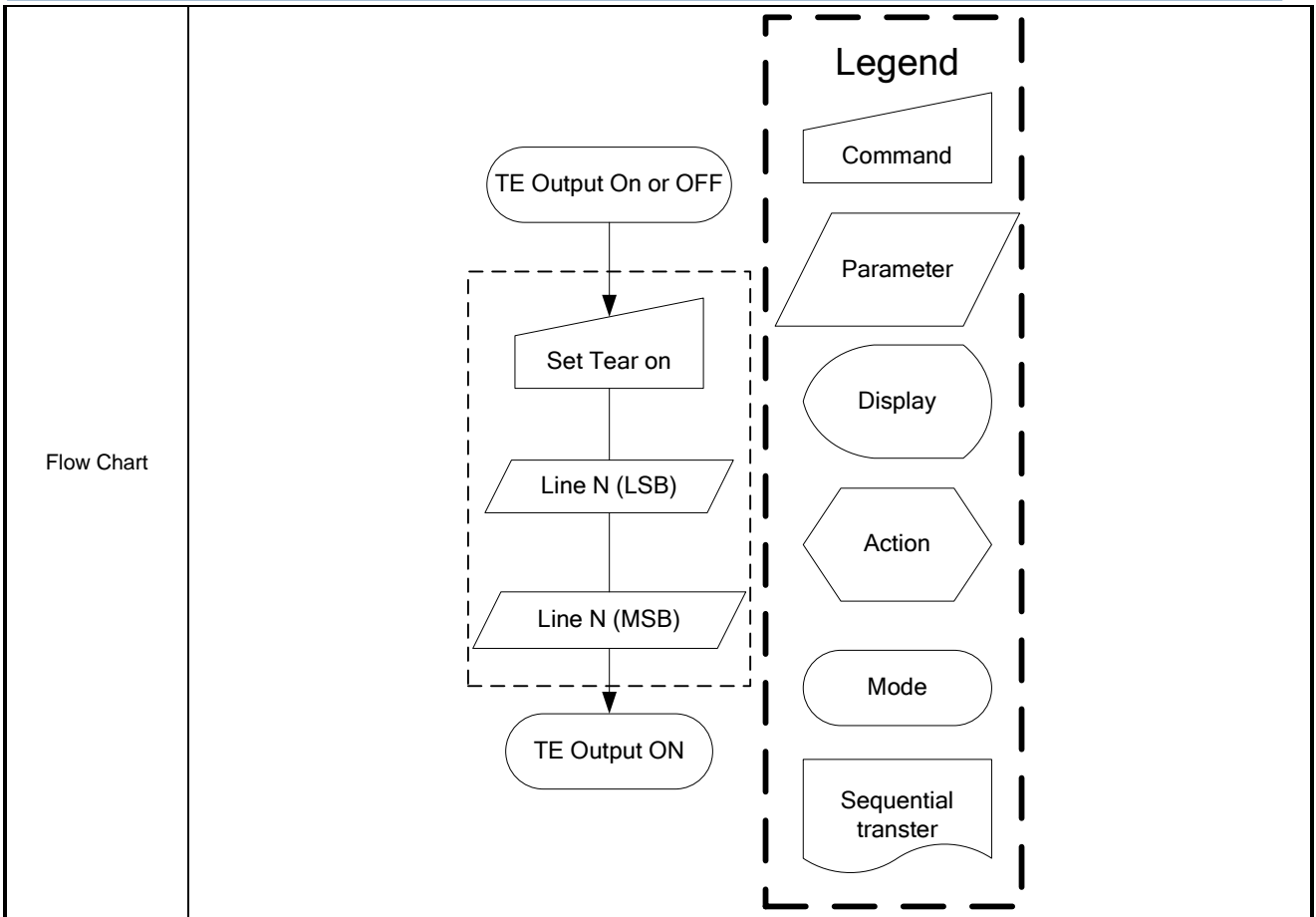
| | |
|-----------|-----------------------------------|
| H/W Reset | Contents of memory is not cleared |
|-----------|-----------------------------------|

Flow Chart



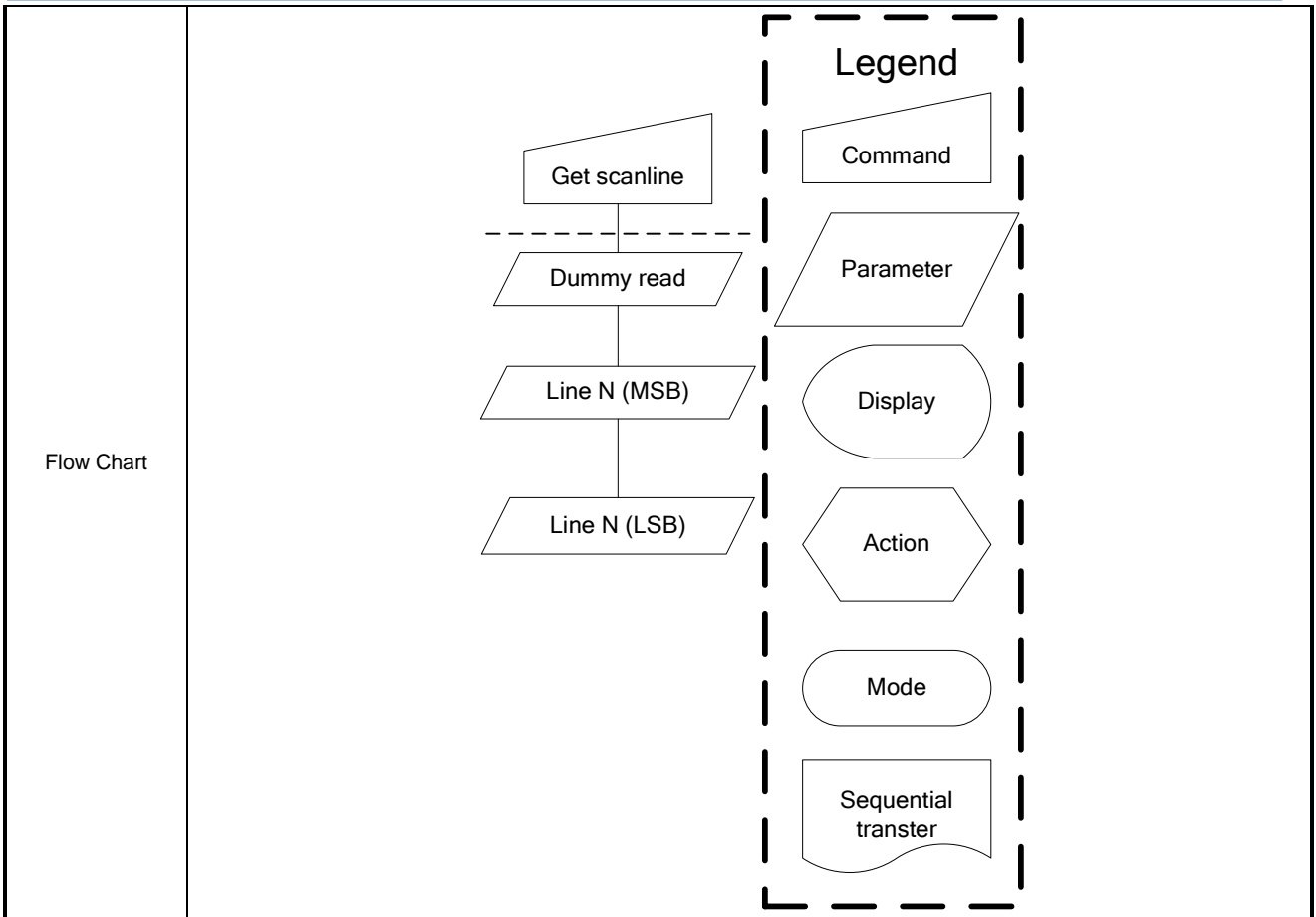
9.1.35 STE (44h): Set Tear Scanline

| 44H | STE (Set Tear ScanLine) | | | | | | | | | | | | | | | | | | | | | | | | |
|---|---|-----|-----|-------|-----|-----|-----|-----|-----|-----|----|----|-------|--------|---------------|--|-------|---|-------|---|-------|--|-----|----------|-----|
| Inst / Para | D/CX | WRX | RDX | D17-8 | D7 | D6 | D5 | D4 | D3 | D2 | D1 | D0 | HEX | | | | | | | | | | | | |
| STE | 0 | ↑ | 1 | - | 0 | 1 | 0 | 0 | 0 | 1 | 0 | 0 | (44h) | | | | | | | | | | | | |
| 1 st parameter | 1 | ↑ | 1 | - | N15 | N14 | N13 | N12 | N11 | N10 | N9 | N8 | | | | | | | | | | | | | |
| 2 nd parameter | 1 | ↑ | 1 | - | N7 | N6 | N5 | N4 | N3 | N2 | N1 | N0 | | | | | | | | | | | | | |
| Description | <p>-This command turns on the display module's Tearing Effect output signal on the TE signal line when the display module reaches line N. The TE signal is not affected by changing MV.</p> <p>-The tearing effect line on has one parameter that describes the tearing effect output line mode.</p> <p>-The tearing effect output line consist of V-blanking information only.</p>  <p>Note that set tear scanline with N=0 is equivalent to tearing effect line on with TEM=0.</p> <p>The tearing effect output line shall be active low when the display module is in sleep mode</p> | | | | | | | | | | | | | | | | | | | | | | | | |
| Restriction | <p>This command takes affect on the frame following the current frame. Therefore, if the tear effect (TE) output is already on, the TE output shall continue to operate as programmed by the previous tearing effect line on or set tear scanline command until the end of the frame</p> | | | | | | | | | | | | | | | | | | | | | | | | |
| Register availability | <table border="1"> <thead> <tr> <th>Status</th> <th>Availability</th> </tr> </thead> <tbody> <tr> <td>Normal Mode On, Idle Mode Off, Sleep Out</td> <td>Yes</td> </tr> <tr> <td>Normal Mode On, Idle Mode On, Sleep Out</td> <td>Yes</td> </tr> <tr> <td>Partial Mode On, Idle Mode Off, Sleep Out</td> <td>Yes</td> </tr> <tr> <td>Partial Mode On, Idle Mode On, Sleep Out</td> <td>Yes</td> </tr> <tr> <td>Sleep In</td> <td>Yes</td> </tr> </tbody> </table> | | | | | | | | | | | | | Status | Availability | Normal Mode On, Idle Mode Off, Sleep Out | Yes | Normal Mode On, Idle Mode On, Sleep Out | Yes | Partial Mode On, Idle Mode Off, Sleep Out | Yes | Partial Mode On, Idle Mode On, Sleep Out | Yes | Sleep In | Yes |
| Status | Availability | | | | | | | | | | | | | | | | | | | | | | | | |
| Normal Mode On, Idle Mode Off, Sleep Out | Yes | | | | | | | | | | | | | | | | | | | | | | | | |
| Normal Mode On, Idle Mode On, Sleep Out | Yes | | | | | | | | | | | | | | | | | | | | | | | | |
| Partial Mode On, Idle Mode Off, Sleep Out | Yes | | | | | | | | | | | | | | | | | | | | | | | | |
| Partial Mode On, Idle Mode On, Sleep Out | Yes | | | | | | | | | | | | | | | | | | | | | | | | |
| Sleep In | Yes | | | | | | | | | | | | | | | | | | | | | | | | |
| Default | <table border="1"> <thead> <tr> <th>Status</th> <th>Default Value</th> </tr> </thead> <tbody> <tr> <td>Power On Sequence</td> <td>0000h</td> </tr> <tr> <td>S/W Reset</td> <td>0000h</td> </tr> <tr> <td>H/W Reset</td> <td>0000h</td> </tr> </tbody> </table> | | | | | | | | | | | | | Status | Default Value | Power On Sequence | 0000h | S/W Reset | 0000h | H/W Reset | 0000h | | | | |
| Status | Default Value | | | | | | | | | | | | | | | | | | | | | | | | |
| Power On Sequence | 0000h | | | | | | | | | | | | | | | | | | | | | | | | |
| S/W Reset | 0000h | | | | | | | | | | | | | | | | | | | | | | | | |
| H/W Reset | 0000h | | | | | | | | | | | | | | | | | | | | | | | | |



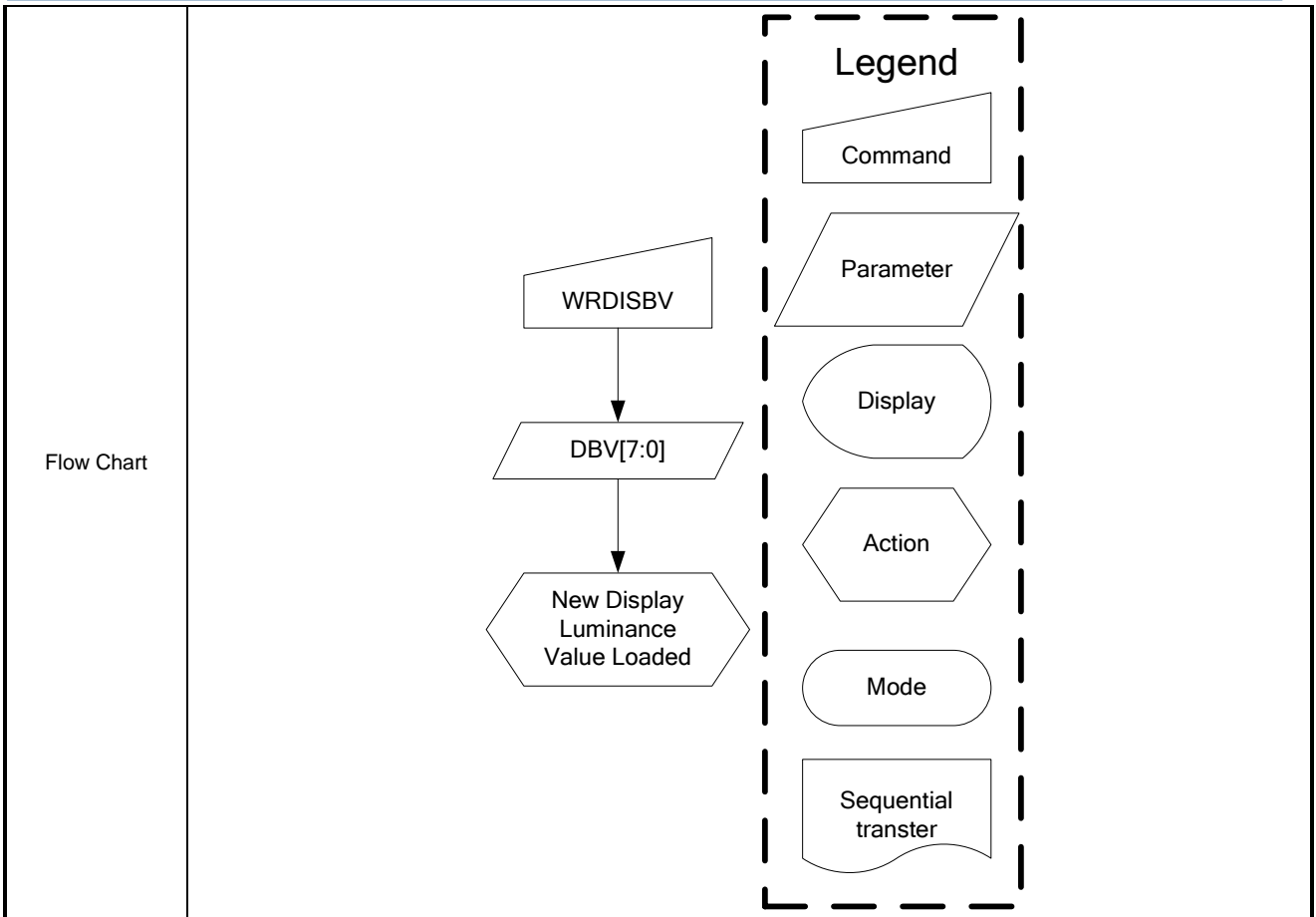
9.1.36 GSCAN (45h): Get Scanline

| 45H | GSCAN (Get ScanLine) | | | | | | | | | | | | | | | | | | | | | | | | |
|---|--|-----|-----|-------|-----|-----|-----|-----|-----|-----|----|----|-------|--------|---------------|--|-------|---|-------|---|-------|--|-----|----------|-----|
| Inst / Para | D/CX | WRX | RDX | D17-8 | D7 | D6 | D5 | D4 | D3 | D2 | D1 | D0 | HEX | | | | | | | | | | | | |
| GSCAN | 0 | ↑ | 1 | - | 0 | 1 | 0 | 0 | 0 | 1 | 0 | 1 | (45h) | | | | | | | | | | | | |
| 1 st parameter | 1 | 1 | ↑ | - | - | - | - | - | - | - | - | - | | | | | | | | | | | | | |
| 2 nd parameter | 1 | 1 | ↑ | - | N15 | N14 | N13 | N12 | N11 | N10 | N9 | N8 | | | | | | | | | | | | | |
| 3 rd parameter | 1 | 1 | ↑ | - | N7 | N6 | N5 | N4 | N3 | N2 | N1 | N0 | | | | | | | | | | | | | |
| Description | <p>-The display module returns the current scanline ,N, used to update the display device. The total number of scanlines on a display device is defined as VSYNC+VBP+VACT+VFP. The first scanline is defined as the first line of V Sync and is denoted as Line 0.</p> <p>-When in sleep in mode, the value returned by get scanline is undefined.</p> | | | | | | | | | | | | | | | | | | | | | | | | |
| Restriction | - | | | | | | | | | | | | | | | | | | | | | | | | |
| Register availability | <table border="1"> <thead> <tr> <th>Status</th> <th>Availability</th> </tr> </thead> <tbody> <tr> <td>Normal Mode On, Idle Mode Off, Sleep Out</td> <td>Yes</td> </tr> <tr> <td>Normal Mode On, Idle Mode On, Sleep Out</td> <td>Yes</td> </tr> <tr> <td>Partial Mode On, Idle Mode Off, Sleep Out</td> <td>Yes</td> </tr> <tr> <td>Partial Mode On, Idle Mode On, Sleep Out</td> <td>Yes</td> </tr> <tr> <td>Sleep In</td> <td>Yes</td> </tr> </tbody> </table> | | | | | | | | | | | | | Status | Availability | Normal Mode On, Idle Mode Off, Sleep Out | Yes | Normal Mode On, Idle Mode On, Sleep Out | Yes | Partial Mode On, Idle Mode Off, Sleep Out | Yes | Partial Mode On, Idle Mode On, Sleep Out | Yes | Sleep In | Yes |
| Status | Availability | | | | | | | | | | | | | | | | | | | | | | | | |
| Normal Mode On, Idle Mode Off, Sleep Out | Yes | | | | | | | | | | | | | | | | | | | | | | | | |
| Normal Mode On, Idle Mode On, Sleep Out | Yes | | | | | | | | | | | | | | | | | | | | | | | | |
| Partial Mode On, Idle Mode Off, Sleep Out | Yes | | | | | | | | | | | | | | | | | | | | | | | | |
| Partial Mode On, Idle Mode On, Sleep Out | Yes | | | | | | | | | | | | | | | | | | | | | | | | |
| Sleep In | Yes | | | | | | | | | | | | | | | | | | | | | | | | |
| Default | <table border="1"> <thead> <tr> <th>Status</th> <th>Default Value</th> </tr> </thead> <tbody> <tr> <td>Power On Sequence</td> <td>0000h</td> </tr> <tr> <td>S/W Reset</td> <td>0000h</td> </tr> <tr> <td>H/W Reset</td> <td>0000h</td> </tr> </tbody> </table> | | | | | | | | | | | | | Status | Default Value | Power On Sequence | 0000h | S/W Reset | 0000h | H/W Reset | 0000h | | | | |
| Status | Default Value | | | | | | | | | | | | | | | | | | | | | | | | |
| Power On Sequence | 0000h | | | | | | | | | | | | | | | | | | | | | | | | |
| S/W Reset | 0000h | | | | | | | | | | | | | | | | | | | | | | | | |
| H/W Reset | 0000h | | | | | | | | | | | | | | | | | | | | | | | | |



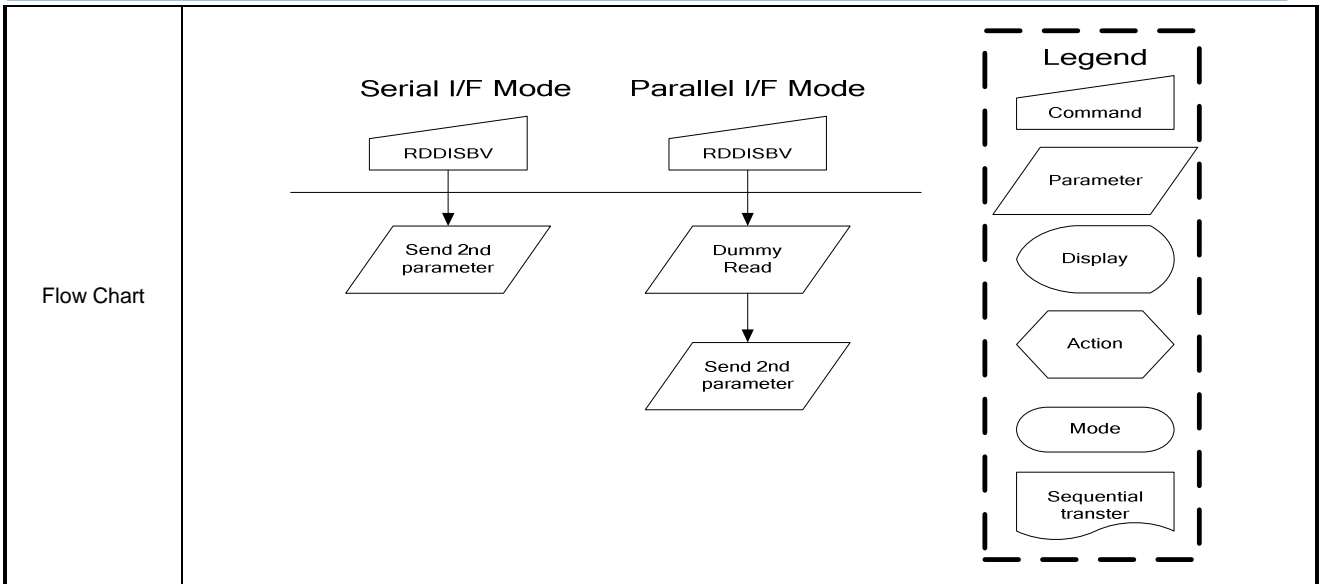
9.1.37 WRDISBV (51h): Write Display Brightness

| 51H | WRDISBV (Write Display Brightness) | | | | | | | | | | | | | | | | | | | | | | | | |
|---|--|-----|-----|-------|------|------|------|------|------|------|------|------|-------|--------|---------------|--|-------|---|-------|---|-------|--|-----|----------|-----|
| Inst / Para | D/CX | WRX | RDX | D17-8 | D7 | D6 | D5 | D4 | D3 | D2 | D1 | D0 | HEX | | | | | | | | | | | | |
| WRDISBV | 0 | ↑ | 1 | - | 0 | 1 | 0 | 1 | 0 | 0 | 0 | 1 | (51h) | | | | | | | | | | | | |
| Parameter | 1 | ↑ | 1 | - | DBV7 | DBV6 | DBV5 | DBV4 | DBV3 | DBV2 | DBV1 | DBV0 | | | | | | | | | | | | | |
| Description | <p>-This command is used to adjust the brightness value of the display.</p> <p>-It should be checked what the relationship between this written value and output brightness of the display is. This relationship is defined on the display module specification.</p> <p>-In principle relationship is that 00h value means the lowest brightness and FFh value means the highest brightness.</p> | | | | | | | | | | | | | | | | | | | | | | | | |
| Restriction | | | | | | | | | | | | | | | | | | | | | | | | | |
| Register availability | <table border="1"> <thead> <tr> <th>Status</th> <th>Availability</th> </tr> </thead> <tbody> <tr> <td>Normal Mode On, Idle Mode Off, Sleep Out</td> <td>Yes</td> </tr> <tr> <td>Normal Mode On, Idle Mode On, Sleep Out</td> <td>Yes</td> </tr> <tr> <td>Partial Mode On, Idle Mode Off, Sleep Out</td> <td>Yes</td> </tr> <tr> <td>Partial Mode On, Idle Mode On, Sleep Out</td> <td>Yes</td> </tr> <tr> <td>Sleep In</td> <td>Yes</td> </tr> </tbody> </table> | | | | | | | | | | | | | Status | Availability | Normal Mode On, Idle Mode Off, Sleep Out | Yes | Normal Mode On, Idle Mode On, Sleep Out | Yes | Partial Mode On, Idle Mode Off, Sleep Out | Yes | Partial Mode On, Idle Mode On, Sleep Out | Yes | Sleep In | Yes |
| Status | Availability | | | | | | | | | | | | | | | | | | | | | | | | |
| Normal Mode On, Idle Mode Off, Sleep Out | Yes | | | | | | | | | | | | | | | | | | | | | | | | |
| Normal Mode On, Idle Mode On, Sleep Out | Yes | | | | | | | | | | | | | | | | | | | | | | | | |
| Partial Mode On, Idle Mode Off, Sleep Out | Yes | | | | | | | | | | | | | | | | | | | | | | | | |
| Partial Mode On, Idle Mode On, Sleep Out | Yes | | | | | | | | | | | | | | | | | | | | | | | | |
| Sleep In | Yes | | | | | | | | | | | | | | | | | | | | | | | | |
| Default | <table border="1"> <thead> <tr> <th>Status</th> <th>Default Value</th> </tr> </thead> <tbody> <tr> <td>Power On Sequence</td> <td>0000h</td> </tr> <tr> <td>S/W Reset</td> <td>0000h</td> </tr> <tr> <td>H/W Reset</td> <td>0000h</td> </tr> </tbody> </table> | | | | | | | | | | | | | Status | Default Value | Power On Sequence | 0000h | S/W Reset | 0000h | H/W Reset | 0000h | | | | |
| Status | Default Value | | | | | | | | | | | | | | | | | | | | | | | | |
| Power On Sequence | 0000h | | | | | | | | | | | | | | | | | | | | | | | | |
| S/W Reset | 0000h | | | | | | | | | | | | | | | | | | | | | | | | |
| H/W Reset | 0000h | | | | | | | | | | | | | | | | | | | | | | | | |



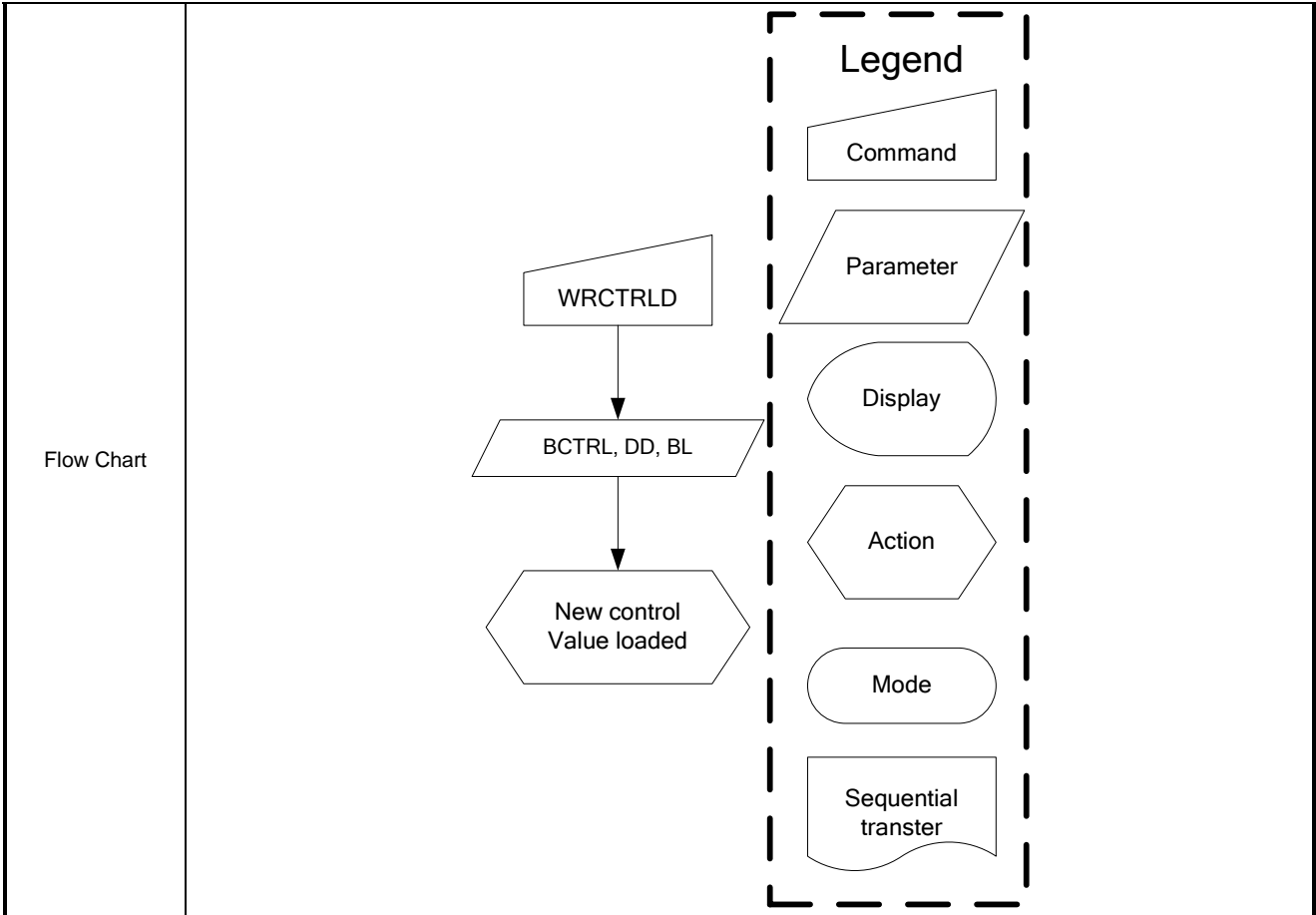
9.1.38 RDDISBV (52h): Read Display Brightness Value

| 52H | RDDISBV (Read Display Brightness Value) | | | | | | | | | | | | | | | | | | | | | | | | |
|---|---|-----|-----|-------|------|------|------|------|------|------|------|------|-------|--------|---------------|--|-------|---|-------|---|-------|--|-----|----------|-----|
| Inst / Para | D/CX | WRX | RDX | D17-8 | D7 | D6 | D5 | D4 | D3 | D2 | D1 | D0 | HEX | | | | | | | | | | | | |
| RDDISBV | 0 | ↑ | 1 | - | 0 | 1 | 0 | 1 | 0 | 0 | 1 | 0 | (52h) | | | | | | | | | | | | |
| 1 st parameter | 1 | 1 | ↑ | - | - | - | - | - | - | - | - | - | | | | | | | | | | | | | |
| 2 nd parameter | 1 | 1 | ↑ | - | DBV7 | DBV6 | DBV5 | DBV4 | DBV3 | DBV2 | DBV1 | DBV0 | | | | | | | | | | | | | |
| Description | <p>-This command returns the brightness value of the display.</p> <p>-It should be checked what the relationship between this returned value and output brightness of the display. This relationship is defined on the display module specification is.</p> <p>-In principle the relationship is that 00h value means the lowest brightness and FFh value means the highest brightness.</p> <p>-DBV[7:0] is reset when display is in sleep in mode.</p> <p>-DBV[7:0] is '0' when bit BCTRL of write CTRL display command (53h) is '0'</p> <p>-DBV[7:0] IS manual set brightness specified with write CTRL display command (53h) when bit BCTRL is '1'</p> | | | | | | | | | | | | | | | | | | | | | | | | |
| Restriction | - | | | | | | | | | | | | | | | | | | | | | | | | |
| Register availability | <table border="1"> <thead> <tr> <th>Status</th> <th>Availability</th> </tr> </thead> <tbody> <tr> <td>Normal Mode On, Idle Mode Off, Sleep Out</td> <td>Yes</td> </tr> <tr> <td>Normal Mode On, Idle Mode On, Sleep Out</td> <td>Yes</td> </tr> <tr> <td>Partial Mode On, Idle Mode Off, Sleep Out</td> <td>Yes</td> </tr> <tr> <td>Partial Mode On, Idle Mode On, Sleep Out</td> <td>Yes</td> </tr> <tr> <td>Sleep In</td> <td>Yes</td> </tr> </tbody> </table> | | | | | | | | | | | | | Status | Availability | Normal Mode On, Idle Mode Off, Sleep Out | Yes | Normal Mode On, Idle Mode On, Sleep Out | Yes | Partial Mode On, Idle Mode Off, Sleep Out | Yes | Partial Mode On, Idle Mode On, Sleep Out | Yes | Sleep In | Yes |
| Status | Availability | | | | | | | | | | | | | | | | | | | | | | | | |
| Normal Mode On, Idle Mode Off, Sleep Out | Yes | | | | | | | | | | | | | | | | | | | | | | | | |
| Normal Mode On, Idle Mode On, Sleep Out | Yes | | | | | | | | | | | | | | | | | | | | | | | | |
| Partial Mode On, Idle Mode Off, Sleep Out | Yes | | | | | | | | | | | | | | | | | | | | | | | | |
| Partial Mode On, Idle Mode On, Sleep Out | Yes | | | | | | | | | | | | | | | | | | | | | | | | |
| Sleep In | Yes | | | | | | | | | | | | | | | | | | | | | | | | |
| Default | <table border="1"> <thead> <tr> <th>Status</th> <th>Default Value</th> </tr> </thead> <tbody> <tr> <td>Power On Sequence</td> <td>0000h</td> </tr> <tr> <td>S/W Reset</td> <td>0000h</td> </tr> <tr> <td>H/W Reset</td> <td>0000h</td> </tr> </tbody> </table> | | | | | | | | | | | | | Status | Default Value | Power On Sequence | 0000h | S/W Reset | 0000h | H/W Reset | 0000h | | | | |
| Status | Default Value | | | | | | | | | | | | | | | | | | | | | | | | |
| Power On Sequence | 0000h | | | | | | | | | | | | | | | | | | | | | | | | |
| S/W Reset | 0000h | | | | | | | | | | | | | | | | | | | | | | | | |
| H/W Reset | 0000h | | | | | | | | | | | | | | | | | | | | | | | | |



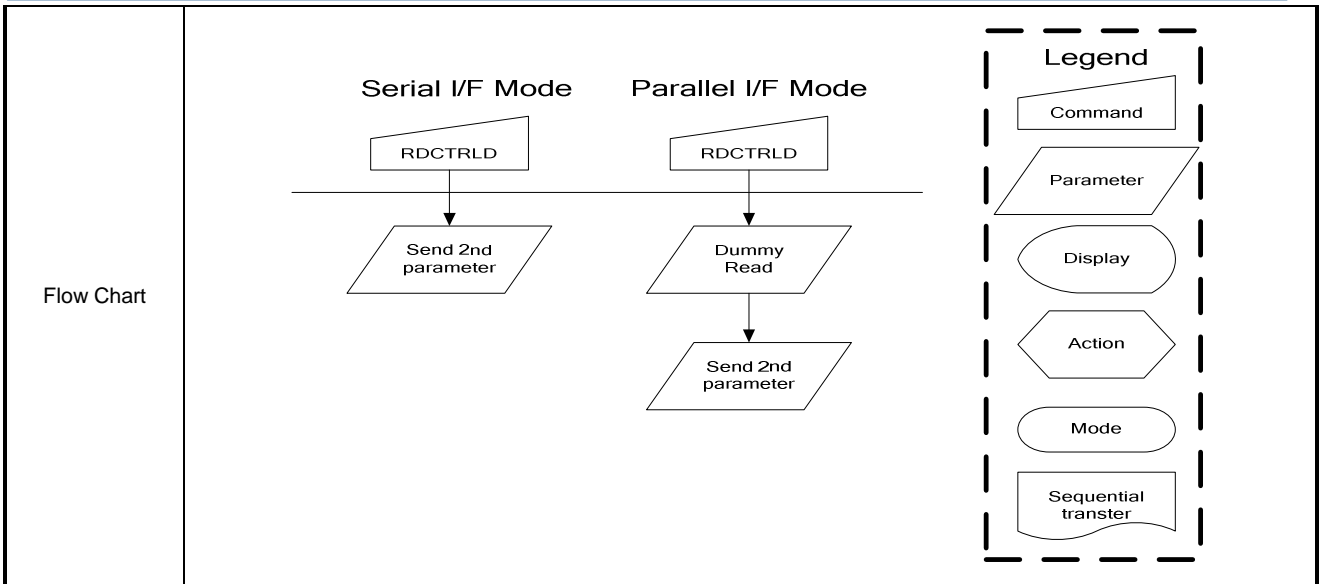
9.1.39 WRCTRLD (53h): Write CTRL Display

| 53H | WRCTRLD (Write CTRL Display) | | | | | | | | | | | | | | | | | | | | | | | | |
|---|---|-----|-----|-------|----|----|-------|----|----|----|----|----|-------|--------|---------------|--|-------|---|-------|---|-------|--|-----|----------|-----|
| Inst / Para | D/CX | WRX | RDX | D17-8 | D7 | D6 | D5 | D4 | D3 | D2 | D1 | D0 | HEX | | | | | | | | | | | | |
| WRCTRLD | 0 | ↑ | 1 | - | 0 | 1 | 0 | 1 | 0 | 0 | 1 | 1 | (53h) | | | | | | | | | | | | |
| Parameter | 1 | ↑ | 1 | - | 0 | 0 | BCTRL | 0 | DD | BL | 0 | 0 | | | | | | | | | | | | | |
| Description | <p>-This command is used to control display brightness.</p> <p>-BCTRL: Brightness Control Block On/Off, This bit is always used to switch brightness for display. 0 = Off (Brightness register are 00h, DBV[7:0]) 1 = On (Brightness register are active, according to the other parameters.)</p> <p>-DD: Display Dimming (Only for manual brightness setting) DD = 0: Display Dimming is off. DD = 1: Display Dimming is on.</p> <p>-BL: Backlight Control On/Off 0 = Off (Completely turn off backlight circuit. Control lines must be low.) 1 = On</p> <p>-Dimming function is adapted to the brightness registers for display when bit BCTRL is changed at DD=1.</p> <p>-When BL bit changed from 'on' to 'off', backlight is turned off without gradual dimming, even if dimming-on (DD=1) are selected.</p> | | | | | | | | | | | | | | | | | | | | | | | | |
| Restriction | | | | | | | | | | | | | | | | | | | | | | | | | |
| Register availability | <table border="1"> <thead> <tr> <th>Status</th> <th>Availability</th> </tr> </thead> <tbody> <tr> <td>Normal Mode On, Idle Mode Off, Sleep Out</td> <td>Yes</td> </tr> <tr> <td>Normal Mode On, Idle Mode On, Sleep Out</td> <td>Yes</td> </tr> <tr> <td>Partial Mode On, Idle Mode Off, Sleep Out</td> <td>Yes</td> </tr> <tr> <td>Partial Mode On, Idle Mode On, Sleep Out</td> <td>Yes</td> </tr> <tr> <td>Sleep In</td> <td>Yes</td> </tr> </tbody> </table> | | | | | | | | | | | | | Status | Availability | Normal Mode On, Idle Mode Off, Sleep Out | Yes | Normal Mode On, Idle Mode On, Sleep Out | Yes | Partial Mode On, Idle Mode Off, Sleep Out | Yes | Partial Mode On, Idle Mode On, Sleep Out | Yes | Sleep In | Yes |
| Status | Availability | | | | | | | | | | | | | | | | | | | | | | | | |
| Normal Mode On, Idle Mode Off, Sleep Out | Yes | | | | | | | | | | | | | | | | | | | | | | | | |
| Normal Mode On, Idle Mode On, Sleep Out | Yes | | | | | | | | | | | | | | | | | | | | | | | | |
| Partial Mode On, Idle Mode Off, Sleep Out | Yes | | | | | | | | | | | | | | | | | | | | | | | | |
| Partial Mode On, Idle Mode On, Sleep Out | Yes | | | | | | | | | | | | | | | | | | | | | | | | |
| Sleep In | Yes | | | | | | | | | | | | | | | | | | | | | | | | |
| Default | <table border="1"> <thead> <tr> <th>Status</th> <th>Default Value</th> </tr> </thead> <tbody> <tr> <td>Power On Sequence</td> <td>0000h</td> </tr> <tr> <td>S/W Reset</td> <td>0000h</td> </tr> <tr> <td>H/W Reset</td> <td>0000h</td> </tr> </tbody> </table> | | | | | | | | | | | | | Status | Default Value | Power On Sequence | 0000h | S/W Reset | 0000h | H/W Reset | 0000h | | | | |
| Status | Default Value | | | | | | | | | | | | | | | | | | | | | | | | |
| Power On Sequence | 0000h | | | | | | | | | | | | | | | | | | | | | | | | |
| S/W Reset | 0000h | | | | | | | | | | | | | | | | | | | | | | | | |
| H/W Reset | 0000h | | | | | | | | | | | | | | | | | | | | | | | | |



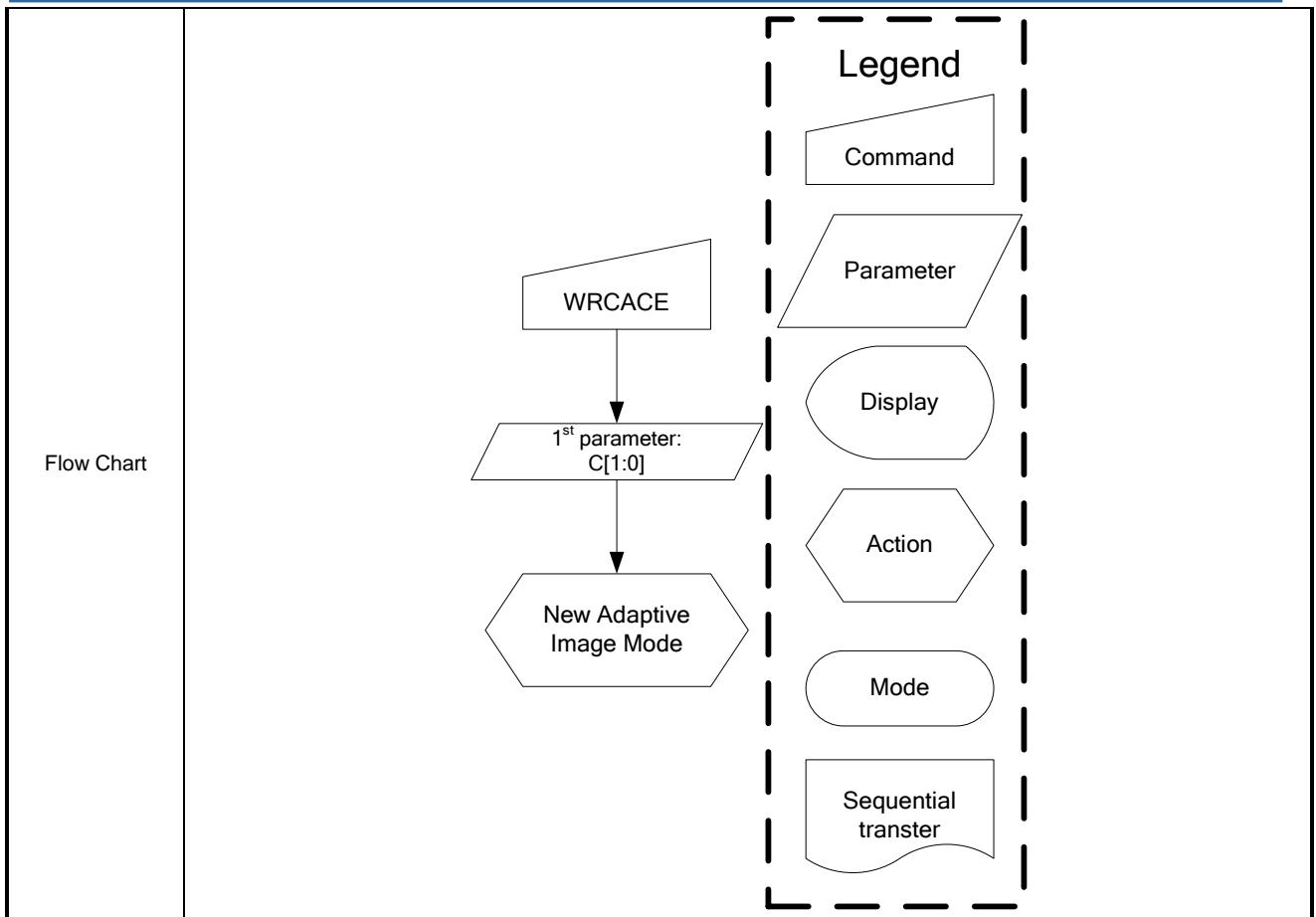
9.1.40 RDCTRLD (54h): Read CTRL Value Display

| 54H | RDCTRLD (Read CTRL value Display) | | | | | | | | | | | | | | | | | | | | | | | | |
|---|--|-----|-----|-------|----|----|-------|----|----|----|----|----|-------|--------|---------------|--|-------|---|-------|---|-------|--|-----|----------|-----|
| Inst / Para | D/CX | WRX | RDX | D17-8 | D7 | D6 | D5 | D4 | D3 | D2 | D1 | D0 | HEX | | | | | | | | | | | | |
| RDCTRLD | 0 | ↑ | 1 | - | 0 | 1 | 0 | 1 | 0 | 1 | 0 | 0 | (54h) | | | | | | | | | | | | |
| 1 st parameter | 1 | 1 | ↑ | - | - | - | - | - | - | - | - | - | | | | | | | | | | | | | |
| 2 nd parameter | 1 | 1 | ↑ | - | 0 | 0 | BCTRL | 0 | DD | BL | 0 | 0 | | | | | | | | | | | | | |
| Description | <p>-This command returns ambient light and brightness control values..</p> <p>-BCTRL: Brightness Control Block On/Off, This bit is always used to switch brightness for display.</p> <p>0 = Off</p> <p>1 = On</p> <p>-DD: Display Dimming (Only for manual brightness setting)</p> <p>DD = 0</p> <p>DD = 1</p> <p>-BL: Backlight Control On/Off</p> <p>0 = Off</p> <p>1 = On</p> | | | | | | | | | | | | | | | | | | | | | | | | |
| Restriction | - | | | | | | | | | | | | | | | | | | | | | | | | |
| Register availability | <table border="1"> <thead> <tr> <th>Status</th> <th>Availability</th> </tr> </thead> <tbody> <tr> <td>Normal Mode On, Idle Mode Off, Sleep Out</td> <td>Yes</td> </tr> <tr> <td>Normal Mode On, Idle Mode On, Sleep Out</td> <td>Yes</td> </tr> <tr> <td>Partial Mode On, Idle Mode Off, Sleep Out</td> <td>Yes</td> </tr> <tr> <td>Partial Mode On, Idle Mode On, Sleep Out</td> <td>Yes</td> </tr> <tr> <td>Sleep In</td> <td>Yes</td> </tr> </tbody> </table> | | | | | | | | | | | | | Status | Availability | Normal Mode On, Idle Mode Off, Sleep Out | Yes | Normal Mode On, Idle Mode On, Sleep Out | Yes | Partial Mode On, Idle Mode Off, Sleep Out | Yes | Partial Mode On, Idle Mode On, Sleep Out | Yes | Sleep In | Yes |
| Status | Availability | | | | | | | | | | | | | | | | | | | | | | | | |
| Normal Mode On, Idle Mode Off, Sleep Out | Yes | | | | | | | | | | | | | | | | | | | | | | | | |
| Normal Mode On, Idle Mode On, Sleep Out | Yes | | | | | | | | | | | | | | | | | | | | | | | | |
| Partial Mode On, Idle Mode Off, Sleep Out | Yes | | | | | | | | | | | | | | | | | | | | | | | | |
| Partial Mode On, Idle Mode On, Sleep Out | Yes | | | | | | | | | | | | | | | | | | | | | | | | |
| Sleep In | Yes | | | | | | | | | | | | | | | | | | | | | | | | |
| Default | <table border="1"> <thead> <tr> <th>Status</th> <th>Default Value</th> </tr> </thead> <tbody> <tr> <td>Power On Sequence</td> <td>0000h</td> </tr> <tr> <td>S/W Reset</td> <td>0000h</td> </tr> <tr> <td>H/W Reset</td> <td>0000h</td> </tr> </tbody> </table> | | | | | | | | | | | | | Status | Default Value | Power On Sequence | 0000h | S/W Reset | 0000h | H/W Reset | 0000h | | | | |
| Status | Default Value | | | | | | | | | | | | | | | | | | | | | | | | |
| Power On Sequence | 0000h | | | | | | | | | | | | | | | | | | | | | | | | |
| S/W Reset | 0000h | | | | | | | | | | | | | | | | | | | | | | | | |
| H/W Reset | 0000h | | | | | | | | | | | | | | | | | | | | | | | | |



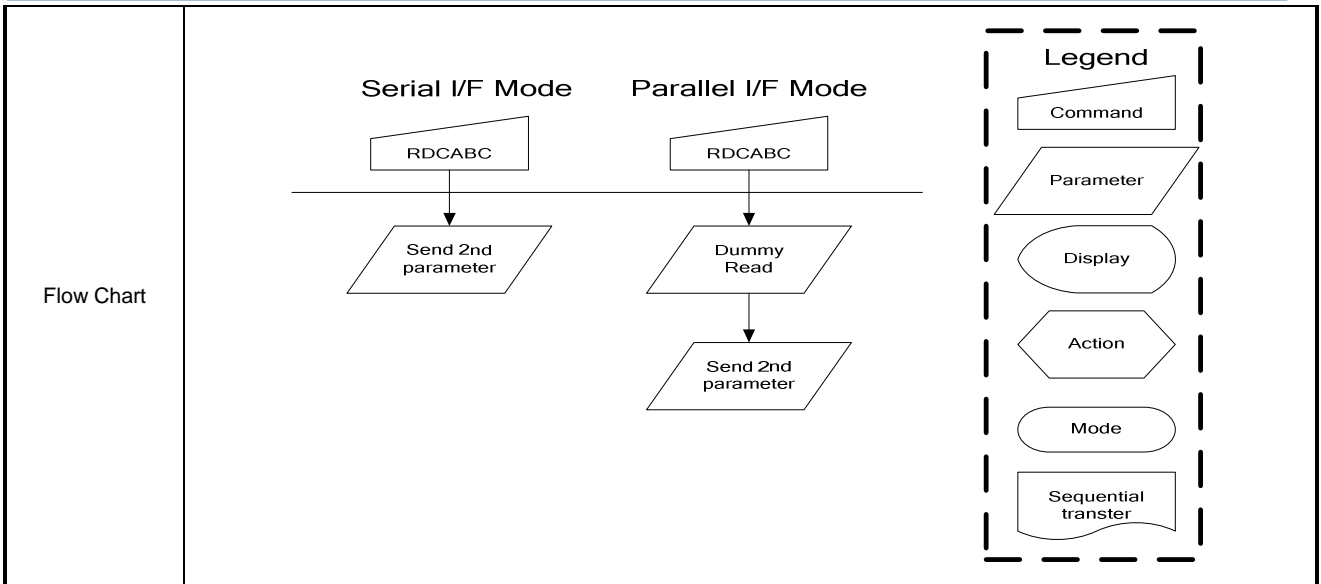
9.1.41 WRCACE (55h): Write Content Adaptive Brightness Control and Color Enhancement

| 55H | WRCACE (Write Content Adaptive Brightness Control and Color Enhancement) | | | | | | | | | | | | | | | | | | | | | | | | | | | | | | | | | | | | | | | |
|---|--|-------------------------|----------|-------|--------|----|-----|-----|----|----|----|----|-------|--------|---------------|--|-------|---|-------|---|-------|--|-----|----------|---------------|---|---|--------------|-----|-----|-------------------------|---|---|-----------------|---|---|--------------------|---|---|------------------|
| Inst / Para | D/CX | WRX | RDX | D17-8 | D7 | D6 | D5 | D4 | D3 | D2 | D1 | D0 | HEX | | | | | | | | | | | | | | | | | | | | | | | | | | | |
| WRCACE | 0 | ↑ | 1 | - | 0 | 1 | 0 | 1 | 0 | 1 | 0 | 1 | (55h) | | | | | | | | | | | | | | | | | | | | | | | | | | | |
| Parameter | 1 | ↑ | 1 | - | CECTRL | 0 | CE1 | CE0 | 0 | 0 | C1 | C0 | | | | | | | | | | | | | | | | | | | | | | | | | | | | |
| Description | <p>-This command is used to set parameters for image content based adaptive brightness control functionality and Color Enhancement function.</p> <p>-There is possible to used 4 different modes for content adaptive image functionality, which are defined on a table below.</p> <table border="1"> <thead> <tr> <th>C1</th> <th>C0</th> <th>Function</th> </tr> </thead> <tbody> <tr> <td>0</td> <td>0</td> <td>Off</td> </tr> <tr> <td>0</td> <td>1</td> <td>User Interface Mode</td> </tr> <tr> <td>1</td> <td>0</td> <td>Still Picture</td> </tr> <tr> <td>1</td> <td>1</td> <td>Moving Image</td> </tr> </tbody> </table> <p>-CECTRL: Color Enhancement Control Bit: CECTRL=0: Color Enhancement Off. CECTRL=1: Color Enhancement On.</p> <p>-There are three color enhancement levels can be set.</p> <table border="1"> <thead> <tr> <th>CE1</th> <th>CE0</th> <th>Color enhancement level</th> </tr> </thead> <tbody> <tr> <td>0</td> <td>0</td> <td>Low enhancement</td> </tr> <tr> <td>0</td> <td>1</td> <td>Medium enhancement</td> </tr> <tr> <td>1</td> <td>1</td> <td>High enhancement</td> </tr> </tbody> </table> <p>‘-’: Don't care</p> | | | | | | | | | | | | | C1 | C0 | Function | 0 | 0 | Off | 0 | 1 | User Interface Mode | 1 | 0 | Still Picture | 1 | 1 | Moving Image | CE1 | CE0 | Color enhancement level | 0 | 0 | Low enhancement | 0 | 1 | Medium enhancement | 1 | 1 | High enhancement |
| | C1 | C0 | Function | | | | | | | | | | | | | | | | | | | | | | | | | | | | | | | | | | | | | |
| 0 | 0 | Off | | | | | | | | | | | | | | | | | | | | | | | | | | | | | | | | | | | | | | |
| 0 | 1 | User Interface Mode | | | | | | | | | | | | | | | | | | | | | | | | | | | | | | | | | | | | | | |
| 1 | 0 | Still Picture | | | | | | | | | | | | | | | | | | | | | | | | | | | | | | | | | | | | | | |
| 1 | 1 | Moving Image | | | | | | | | | | | | | | | | | | | | | | | | | | | | | | | | | | | | | | |
| CE1 | CE0 | Color enhancement level | | | | | | | | | | | | | | | | | | | | | | | | | | | | | | | | | | | | | | |
| 0 | 0 | Low enhancement | | | | | | | | | | | | | | | | | | | | | | | | | | | | | | | | | | | | | | |
| 0 | 1 | Medium enhancement | | | | | | | | | | | | | | | | | | | | | | | | | | | | | | | | | | | | | | |
| 1 | 1 | High enhancement | | | | | | | | | | | | | | | | | | | | | | | | | | | | | | | | | | | | | | |
| Restriction | | | | | | | | | | | | | | | | | | | | | | | | | | | | | | | | | | | | | | | | |
| Register availability | <table border="1"> <thead> <tr> <th>Status</th> <th>Availability</th> </tr> </thead> <tbody> <tr> <td>Normal Mode On, Idle Mode Off, Sleep Out</td> <td>Yes</td> </tr> <tr> <td>Normal Mode On, Idle Mode On, Sleep Out</td> <td>Yes</td> </tr> <tr> <td>Partial Mode On, Idle Mode Off, Sleep Out</td> <td>Yes</td> </tr> <tr> <td>Partial Mode On, Idle Mode On, Sleep Out</td> <td>Yes</td> </tr> <tr> <td>Sleep In</td> <td>Yes</td> </tr> </tbody> </table> | | | | | | | | | | | | | Status | Availability | Normal Mode On, Idle Mode Off, Sleep Out | Yes | Normal Mode On, Idle Mode On, Sleep Out | Yes | Partial Mode On, Idle Mode Off, Sleep Out | Yes | Partial Mode On, Idle Mode On, Sleep Out | Yes | Sleep In | Yes | | | | | | | | | | | | | | | |
| | Status | Availability | | | | | | | | | | | | | | | | | | | | | | | | | | | | | | | | | | | | | | |
| Normal Mode On, Idle Mode Off, Sleep Out | Yes | | | | | | | | | | | | | | | | | | | | | | | | | | | | | | | | | | | | | | | |
| Normal Mode On, Idle Mode On, Sleep Out | Yes | | | | | | | | | | | | | | | | | | | | | | | | | | | | | | | | | | | | | | | |
| Partial Mode On, Idle Mode Off, Sleep Out | Yes | | | | | | | | | | | | | | | | | | | | | | | | | | | | | | | | | | | | | | | |
| Partial Mode On, Idle Mode On, Sleep Out | Yes | | | | | | | | | | | | | | | | | | | | | | | | | | | | | | | | | | | | | | | |
| Sleep In | Yes | | | | | | | | | | | | | | | | | | | | | | | | | | | | | | | | | | | | | | | |
| Default | <table border="1"> <thead> <tr> <th>Status</th> <th>Default Value</th> </tr> </thead> <tbody> <tr> <td>Power On Sequence</td> <td>0000h</td> </tr> <tr> <td>S/W Reset</td> <td>0000h</td> </tr> <tr> <td>H/W Reset</td> <td>0000h</td> </tr> </tbody> </table> | | | | | | | | | | | | | Status | Default Value | Power On Sequence | 0000h | S/W Reset | 0000h | H/W Reset | 0000h | | | | | | | | | | | | | | | | | | | |
| Status | Default Value | | | | | | | | | | | | | | | | | | | | | | | | | | | | | | | | | | | | | | | |
| Power On Sequence | 0000h | | | | | | | | | | | | | | | | | | | | | | | | | | | | | | | | | | | | | | | |
| S/W Reset | 0000h | | | | | | | | | | | | | | | | | | | | | | | | | | | | | | | | | | | | | | | |
| H/W Reset | 0000h | | | | | | | | | | | | | | | | | | | | | | | | | | | | | | | | | | | | | | | |



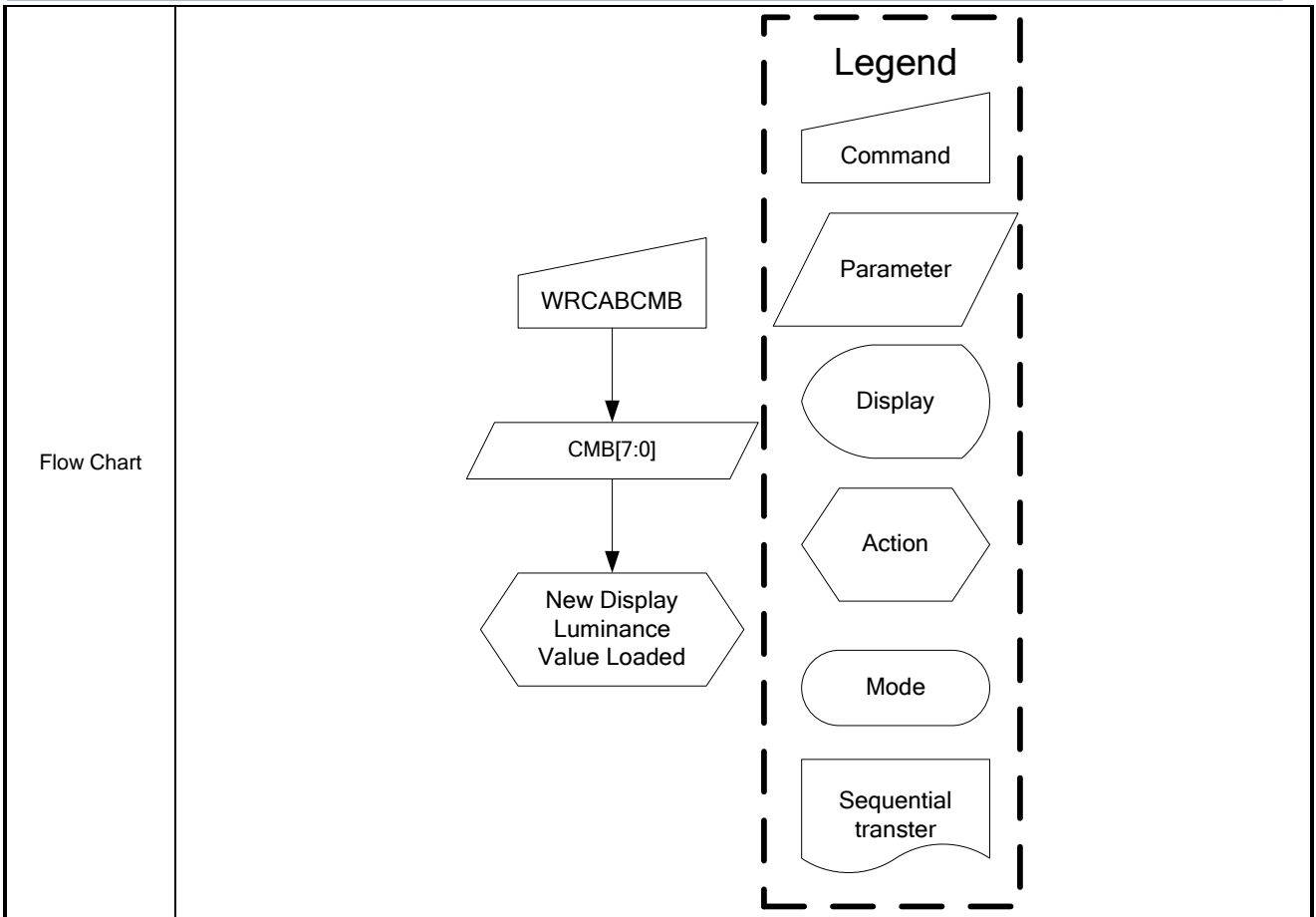
9.1.42 RDCABC (56h): Read Content Adaptive Brightness Control

| 56H | RDCABC (Read Content Adaptive Brightness Control) | | | | | | | | | | | | | | | | | | | | | | | | | | | |
|---|---|---------------------|-----|-------|----|----|----|----|----|----|----|----|-------|--------|---------------|--|-------|---|-------|---|-------|--|-----|----------|---------------|---|---|--------------|
| Inst / Para | D/CX | WRX | RDX | D17-8 | D7 | D6 | D5 | D4 | D3 | D2 | D1 | D0 | HEX | | | | | | | | | | | | | | | |
| RDCABC | 0 | ↑ | 1 | - | 0 | 1 | 0 | 1 | 0 | 1 | 1 | 0 | (56h) | | | | | | | | | | | | | | | |
| 1 st parameter | 1 | 1 | ↑ | - | - | - | - | - | - | - | - | - | | | | | | | | | | | | | | | | |
| 2 nd parameter | 1 | 1 | ↑ | - | 0 | 0 | 0 | 0 | 0 | 0 | C1 | C0 | | | | | | | | | | | | | | | | |
| Description | <p>-This command is used to read the settings for image content based adaptive brightness control functionality.</p> <p>-There is possible to used 4 different modes for content adaptive image functionality, which are defined on a table below.</p> <table border="1"> <thead> <tr> <th>C1</th> <th>C0</th> <th>Function</th> </tr> </thead> <tbody> <tr> <td>0</td> <td>0</td> <td>Off</td> </tr> <tr> <td>0</td> <td>1</td> <td>User Interface Mode</td> </tr> <tr> <td>1</td> <td>0</td> <td>Still Picture</td> </tr> <tr> <td>1</td> <td>1</td> <td>Moving Image</td> </tr> </tbody> </table> <p>‘-’: Don’t care</p> | | | | | | | | | | | | | C1 | C0 | Function | 0 | 0 | Off | 0 | 1 | User Interface Mode | 1 | 0 | Still Picture | 1 | 1 | Moving Image |
| C1 | C0 | Function | | | | | | | | | | | | | | | | | | | | | | | | | | |
| 0 | 0 | Off | | | | | | | | | | | | | | | | | | | | | | | | | | |
| 0 | 1 | User Interface Mode | | | | | | | | | | | | | | | | | | | | | | | | | | |
| 1 | 0 | Still Picture | | | | | | | | | | | | | | | | | | | | | | | | | | |
| 1 | 1 | Moving Image | | | | | | | | | | | | | | | | | | | | | | | | | | |
| Restriction | - | | | | | | | | | | | | | | | | | | | | | | | | | | | |
| Register availability | <table border="1"> <thead> <tr> <th>Status</th> <th>Availability</th> </tr> </thead> <tbody> <tr> <td>Normal Mode On, Idle Mode Off, Sleep Out</td> <td>Yes</td> </tr> <tr> <td>Normal Mode On, Idle Mode On, Sleep Out</td> <td>Yes</td> </tr> <tr> <td>Partial Mode On, Idle Mode Off, Sleep Out</td> <td>Yes</td> </tr> <tr> <td>Partial Mode On, Idle Mode On, Sleep Out</td> <td>Yes</td> </tr> <tr> <td>Sleep In</td> <td>Yes</td> </tr> </tbody> </table> | | | | | | | | | | | | | Status | Availability | Normal Mode On, Idle Mode Off, Sleep Out | Yes | Normal Mode On, Idle Mode On, Sleep Out | Yes | Partial Mode On, Idle Mode Off, Sleep Out | Yes | Partial Mode On, Idle Mode On, Sleep Out | Yes | Sleep In | Yes | | | |
| Status | Availability | | | | | | | | | | | | | | | | | | | | | | | | | | | |
| Normal Mode On, Idle Mode Off, Sleep Out | Yes | | | | | | | | | | | | | | | | | | | | | | | | | | | |
| Normal Mode On, Idle Mode On, Sleep Out | Yes | | | | | | | | | | | | | | | | | | | | | | | | | | | |
| Partial Mode On, Idle Mode Off, Sleep Out | Yes | | | | | | | | | | | | | | | | | | | | | | | | | | | |
| Partial Mode On, Idle Mode On, Sleep Out | Yes | | | | | | | | | | | | | | | | | | | | | | | | | | | |
| Sleep In | Yes | | | | | | | | | | | | | | | | | | | | | | | | | | | |
| Default | <table border="1"> <thead> <tr> <th>Status</th> <th>Default Value</th> </tr> </thead> <tbody> <tr> <td>Power On Sequence</td> <td>0000h</td> </tr> <tr> <td>S/W Reset</td> <td>0000h</td> </tr> <tr> <td>H/W Reset</td> <td>0000h</td> </tr> </tbody> </table> | | | | | | | | | | | | | Status | Default Value | Power On Sequence | 0000h | S/W Reset | 0000h | H/W Reset | 0000h | | | | | | | |
| Status | Default Value | | | | | | | | | | | | | | | | | | | | | | | | | | | |
| Power On Sequence | 0000h | | | | | | | | | | | | | | | | | | | | | | | | | | | |
| S/W Reset | 0000h | | | | | | | | | | | | | | | | | | | | | | | | | | | |
| H/W Reset | 0000h | | | | | | | | | | | | | | | | | | | | | | | | | | | |



9.1.43 WRCABCMB (5Eh): Write CABC Minimum Brightness

| 5EH | WRCABCMB (Write CABC Minimum Brightness) | | | | | | | | | | | | | | | | | | | | | | | | |
|---|--|-----|-----|-------|------|------|------|------|------|------|------|------|-------|--------|---------------|--|-------|---|-------|---|-------|--|-----|----------|-----|
| Inst / Para | D/CX | WRX | RDX | D17-8 | D7 | D6 | D5 | D4 | D3 | D2 | D1 | D0 | HEX | | | | | | | | | | | | |
| WRCABCMB | 0 | ↑ | 1 | - | 0 | 1 | 0 | 1 | 1 | 1 | 1 | 0 | (5Eh) | | | | | | | | | | | | |
| Parameter | 1 | ↑ | 1 | - | CMB7 | CMB6 | CMB5 | CMB4 | CMB3 | CMB2 | CMB1 | CMB0 | | | | | | | | | | | | | |
| Description | -This command is used to set the minimum brightness value of the display for CABC function. -In principle relationship is that 00h value means the lowest brightness for CABC and FFh value means the brightness for CABC. '-': Don't care | | | | | | | | | | | | | | | | | | | | | | | | |
| Restriction | | | | | | | | | | | | | | | | | | | | | | | | | |
| Register availability | <table border="1"> <thead> <tr> <th>Status</th> <th>Availability</th> </tr> </thead> <tbody> <tr> <td>Normal Mode On, Idle Mode Off, Sleep Out</td> <td>Yes</td> </tr> <tr> <td>Normal Mode On, Idle Mode On, Sleep Out</td> <td>Yes</td> </tr> <tr> <td>Partial Mode On, Idle Mode Off, Sleep Out</td> <td>Yes</td> </tr> <tr> <td>Partial Mode On, Idle Mode On, Sleep Out</td> <td>Yes</td> </tr> <tr> <td>Sleep In</td> <td>Yes</td> </tr> </tbody> </table> | | | | | | | | | | | | | Status | Availability | Normal Mode On, Idle Mode Off, Sleep Out | Yes | Normal Mode On, Idle Mode On, Sleep Out | Yes | Partial Mode On, Idle Mode Off, Sleep Out | Yes | Partial Mode On, Idle Mode On, Sleep Out | Yes | Sleep In | Yes |
| Status | Availability | | | | | | | | | | | | | | | | | | | | | | | | |
| Normal Mode On, Idle Mode Off, Sleep Out | Yes | | | | | | | | | | | | | | | | | | | | | | | | |
| Normal Mode On, Idle Mode On, Sleep Out | Yes | | | | | | | | | | | | | | | | | | | | | | | | |
| Partial Mode On, Idle Mode Off, Sleep Out | Yes | | | | | | | | | | | | | | | | | | | | | | | | |
| Partial Mode On, Idle Mode On, Sleep Out | Yes | | | | | | | | | | | | | | | | | | | | | | | | |
| Sleep In | Yes | | | | | | | | | | | | | | | | | | | | | | | | |
| Default | <table border="1"> <thead> <tr> <th>Status</th> <th>Default Value</th> </tr> </thead> <tbody> <tr> <td>Power On Sequence</td> <td>0000h</td> </tr> <tr> <td>S/W Reset</td> <td>0000h</td> </tr> <tr> <td>H/W Reset</td> <td>0000h</td> </tr> </tbody> </table> | | | | | | | | | | | | | Status | Default Value | Power On Sequence | 0000h | S/W Reset | 0000h | H/W Reset | 0000h | | | | |
| Status | Default Value | | | | | | | | | | | | | | | | | | | | | | | | |
| Power On Sequence | 0000h | | | | | | | | | | | | | | | | | | | | | | | | |
| S/W Reset | 0000h | | | | | | | | | | | | | | | | | | | | | | | | |
| H/W Reset | 0000h | | | | | | | | | | | | | | | | | | | | | | | | |

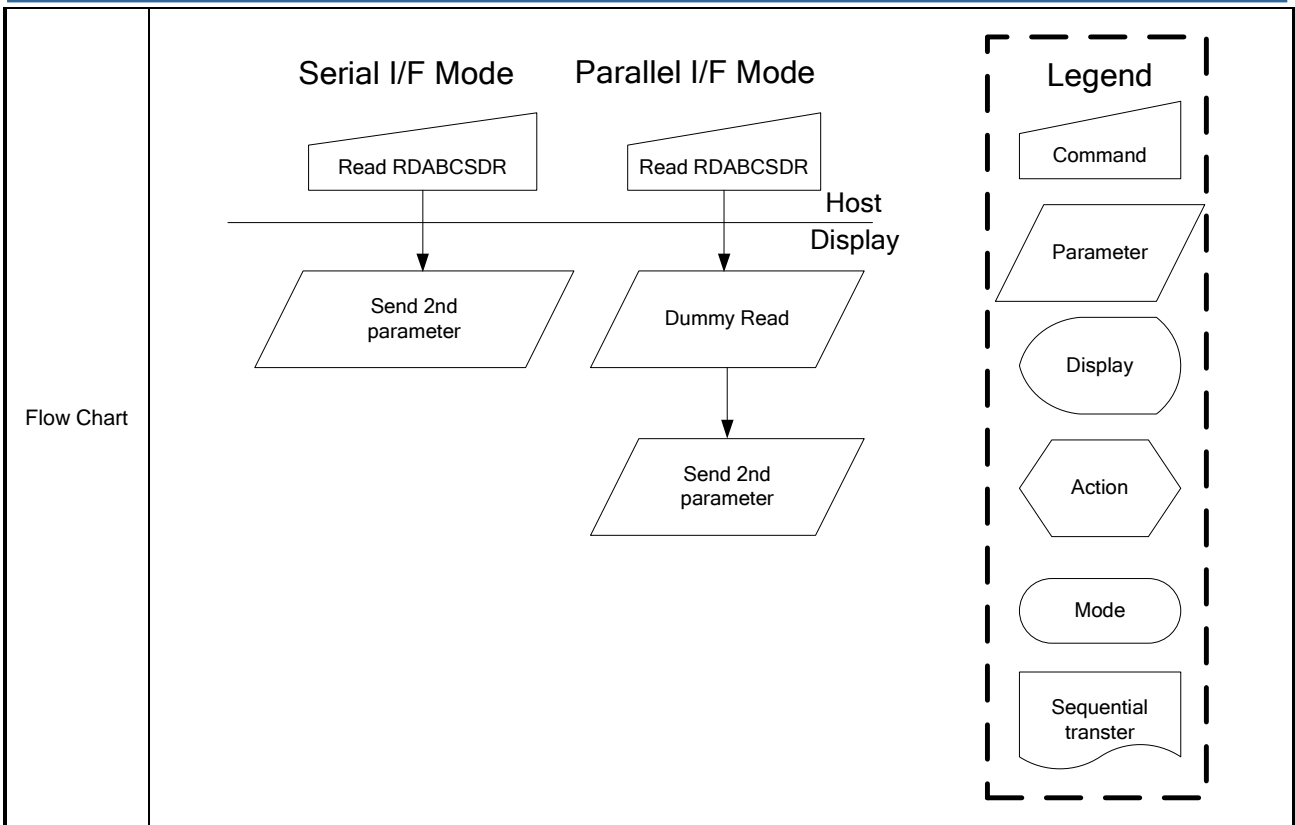


9.1.44 RDCABCMB (5Fh): Read CABC Minimum Brightness

| 5FH | RDCABCMB (Read CABC Minimum Brightness) | | | | | | | | | | | | HEX | | | | | | | | | | | | |
|---|---|-----|-----|-------|------|------|------|------|------|------|------|------|-------|--------|---------------|--|-------|---|-------|---|-------|--|-----|----------|-----|
| Inst / Para | D/CX | WRX | RDX | D17-8 | D7 | D6 | D5 | D4 | D3 | D2 | D1 | D0 | HEX | | | | | | | | | | | | |
| RDCABCMB | 0 | ↑ | 1 | - | 0 | 1 | 0 | 1 | 1 | 1 | 1 | 1 | (5Fh) | | | | | | | | | | | | |
| 1 st parameter | 1 | 1 | ↑ | - | - | - | - | - | - | - | - | - | | | | | | | | | | | | | |
| 2 nd parameter | 1 | 1 | ↑ | - | CMB7 | CMB6 | CMB5 | CMB4 | CMB3 | CMB2 | CMB1 | CMB0 | | | | | | | | | | | | | |
| Description | -This command returns the minimum brightness value of CABC function. -In principle relationship is that 00h value means the lowest brightness for CABC and FFh value means the brightness for CABC. '-': Don't care | | | | | | | | | | | | | | | | | | | | | | | | |
| Restriction | - | | | | | | | | | | | | | | | | | | | | | | | | |
| Register availability | <table border="1"> <thead> <tr> <th>Status</th> <th>Availability</th> </tr> </thead> <tbody> <tr> <td>Normal Mode On, Idle Mode Off, Sleep Out</td> <td>Yes</td> </tr> <tr> <td>Normal Mode On, Idle Mode On, Sleep Out</td> <td>Yes</td> </tr> <tr> <td>Partial Mode On, Idle Mode Off, Sleep Out</td> <td>Yes</td> </tr> <tr> <td>Partial Mode On, Idle Mode On, Sleep Out</td> <td>Yes</td> </tr> <tr> <td>Sleep In</td> <td>Yes</td> </tr> </tbody> </table> | | | | | | | | | | | | | Status | Availability | Normal Mode On, Idle Mode Off, Sleep Out | Yes | Normal Mode On, Idle Mode On, Sleep Out | Yes | Partial Mode On, Idle Mode Off, Sleep Out | Yes | Partial Mode On, Idle Mode On, Sleep Out | Yes | Sleep In | Yes |
| Status | Availability | | | | | | | | | | | | | | | | | | | | | | | | |
| Normal Mode On, Idle Mode Off, Sleep Out | Yes | | | | | | | | | | | | | | | | | | | | | | | | |
| Normal Mode On, Idle Mode On, Sleep Out | Yes | | | | | | | | | | | | | | | | | | | | | | | | |
| Partial Mode On, Idle Mode Off, Sleep Out | Yes | | | | | | | | | | | | | | | | | | | | | | | | |
| Partial Mode On, Idle Mode On, Sleep Out | Yes | | | | | | | | | | | | | | | | | | | | | | | | |
| Sleep In | Yes | | | | | | | | | | | | | | | | | | | | | | | | |
| Default | <table border="1"> <thead> <tr> <th>Status</th> <th>Default Value</th> </tr> </thead> <tbody> <tr> <td>Power On Sequence</td> <td>0000h</td> </tr> <tr> <td>S/W Reset</td> <td>0000h</td> </tr> <tr> <td>H/W Reset</td> <td>0000h</td> </tr> </tbody> </table> | | | | | | | | | | | | | Status | Default Value | Power On Sequence | 0000h | S/W Reset | 0000h | H/W Reset | 0000h | | | | |
| Status | Default Value | | | | | | | | | | | | | | | | | | | | | | | | |
| Power On Sequence | 0000h | | | | | | | | | | | | | | | | | | | | | | | | |
| S/W Reset | 0000h | | | | | | | | | | | | | | | | | | | | | | | | |
| H/W Reset | 0000h | | | | | | | | | | | | | | | | | | | | | | | | |
| Flow Chart | <div style="display: flex; justify-content: space-around;"> <div style="text-align: center;"> <p>Serial I/F Mode</p> <pre> graph TD RDCABCMB[Command] --> SendParam[/Send 2nd parameter/] </pre> </div> <div style="text-align: center;"> <p>Parallel I/F Mode</p> <pre> graph TD RDCABCMB[Command] --> DummyRead[/Dummy Read/] DummyRead --> SendParam[/Send 2nd parameter/] </pre> </div> </div> <div style="border: 1px dashed black; padding: 5px; margin-top: 10px;"> <p>Legend</p> <ul style="list-style-type: none"> Command (trapezoid) Parameter (parallelogram) Display (oval) Action (hexagon) Mode (rounded rectangle) Sequential transfer (wavy-bottom rectangle) </div> | | | | | | | | | | | | | | | | | | | | | | | | |

9.1.45 RDABCSDR (68h): Read Automatic Brightness Control Self-Diagnostic Result

| 68H | RDABCSDR (Read Automatic Brightness Control Self-Diagnostic Result) | | | | | | | | | | | | | | | | | | | | | | | | |
|---|--|-----|-----|-------|----|----|----|----|----|----|----|----|-------|--------|---------------|--|-----|---|-----|---|-----|--|-----|----------|-----|
| Inst / Para | D/CX | WRX | RDX | D17-8 | D7 | D6 | D5 | D4 | D3 | D2 | D1 | D0 | HEX | | | | | | | | | | | | |
| RDABCSDR | 0 | ↑ | 1 | - | 0 | 1 | 1 | 0 | 1 | 0 | 0 | 0 | (68h) | | | | | | | | | | | | |
| 1 st parameter | 1 | 1 | ↑ | - | - | - | - | - | - | - | - | - | - | | | | | | | | | | | | |
| 2 nd parameter | 1 | 1 | ↑ | - | D7 | D6 | 0 | 0 | 0 | 0 | 0 | 0 | - | | | | | | | | | | | | |
| Description | <p>This command indicates the current status of the display self-diagnostic results for automatic brightness control after sleep out -command as described below:</p> <p>-D7: Register loading detection</p> <p>-D6: Functionality detection</p> <p>“-“ Don't care</p> | | | | | | | | | | | | | | | | | | | | | | | | |
| Restriction | | | | | | | | | | | | | | | | | | | | | | | | | |
| Register availability | <table border="1"> <thead> <tr> <th>Status</th> <th>Availability</th> </tr> </thead> <tbody> <tr> <td>Normal Mode On, Idle Mode Off, Sleep Out</td> <td>Yes</td> </tr> <tr> <td>Normal Mode On, Idle Mode On, Sleep Out</td> <td>Yes</td> </tr> <tr> <td>Partial Mode On, Idle Mode Off, Sleep Out</td> <td>Yes</td> </tr> <tr> <td>Partial Mode On, Idle Mode On, Sleep Out</td> <td>Yes</td> </tr> <tr> <td>Sleep In</td> <td>Yes</td> </tr> </tbody> </table> | | | | | | | | | | | | | Status | Availability | Normal Mode On, Idle Mode Off, Sleep Out | Yes | Normal Mode On, Idle Mode On, Sleep Out | Yes | Partial Mode On, Idle Mode Off, Sleep Out | Yes | Partial Mode On, Idle Mode On, Sleep Out | Yes | Sleep In | Yes |
| Status | Availability | | | | | | | | | | | | | | | | | | | | | | | | |
| Normal Mode On, Idle Mode Off, Sleep Out | Yes | | | | | | | | | | | | | | | | | | | | | | | | |
| Normal Mode On, Idle Mode On, Sleep Out | Yes | | | | | | | | | | | | | | | | | | | | | | | | |
| Partial Mode On, Idle Mode Off, Sleep Out | Yes | | | | | | | | | | | | | | | | | | | | | | | | |
| Partial Mode On, Idle Mode On, Sleep Out | Yes | | | | | | | | | | | | | | | | | | | | | | | | |
| Sleep In | Yes | | | | | | | | | | | | | | | | | | | | | | | | |
| Default | <table border="1"> <thead> <tr> <th>Status</th> <th>Default Value</th> </tr> </thead> <tbody> <tr> <td>Power On Sequence</td> <td>00h</td> </tr> <tr> <td>S/W Reset</td> <td>00h</td> </tr> <tr> <td>H/W Reset</td> <td>00h</td> </tr> </tbody> </table> | | | | | | | | | | | | | Status | Default Value | Power On Sequence | 00h | S/W Reset | 00h | H/W Reset | 00h | | | | |
| Status | Default Value | | | | | | | | | | | | | | | | | | | | | | | | |
| Power On Sequence | 00h | | | | | | | | | | | | | | | | | | | | | | | | |
| S/W Reset | 00h | | | | | | | | | | | | | | | | | | | | | | | | |
| H/W Reset | 00h | | | | | | | | | | | | | | | | | | | | | | | | |



9.1.46 RDID1 (DAh): Read ID1

| DAH | RDID1 (Read ID1) | | | | | | | | | | | | HEX | | | | | | | | | | | | |
|---|--|-----|-----|-------|------|------|------|------|------|------|------|------|-------|--------|---------------|--|-----|---|-----|---|-----|--|-----|----------|-----|
| Inst / Para | D/CX | WRX | RDX | D17-8 | D7 | D6 | D5 | D4 | D3 | D2 | D1 | D0 | HEX | | | | | | | | | | | | |
| RDID1 | 0 | ↑ | 1 | - | 1 | 1 | 0 | 1 | 1 | 0 | 1 | 0 | (Dah) | | | | | | | | | | | | |
| 1 st parameter | 1 | 1 | ↑ | - | - | - | - | - | - | - | - | - | | | | | | | | | | | | | |
| 2 nd parameter | 1 | 1 | ↑ | - | ID17 | ID16 | ID15 | ID14 | ID13 | ID12 | ID11 | ID10 | | | | | | | | | | | | | |
| Description | -This read byte identifies the LCD module's manufacturer. | | | | | | | | | | | | | | | | | | | | | | | | |
| Restriction | - | | | | | | | | | | | | | | | | | | | | | | | | |
| Register availability | <table border="1"> <thead> <tr> <th>Status</th> <th>Availability</th> </tr> </thead> <tbody> <tr> <td>Normal Mode On, Idle Mode Off, Sleep Out</td> <td>Yes</td> </tr> <tr> <td>Normal Mode On, Idle Mode On, Sleep Out</td> <td>Yes</td> </tr> <tr> <td>Partial Mode On, Idle Mode Off, Sleep Out</td> <td>Yes</td> </tr> <tr> <td>Partial Mode On, Idle Mode On, Sleep Out</td> <td>Yes</td> </tr> <tr> <td>Sleep In</td> <td>Yes</td> </tr> </tbody> </table> | | | | | | | | | | | | | Status | Availability | Normal Mode On, Idle Mode Off, Sleep Out | Yes | Normal Mode On, Idle Mode On, Sleep Out | Yes | Partial Mode On, Idle Mode Off, Sleep Out | Yes | Partial Mode On, Idle Mode On, Sleep Out | Yes | Sleep In | Yes |
| Status | Availability | | | | | | | | | | | | | | | | | | | | | | | | |
| Normal Mode On, Idle Mode Off, Sleep Out | Yes | | | | | | | | | | | | | | | | | | | | | | | | |
| Normal Mode On, Idle Mode On, Sleep Out | Yes | | | | | | | | | | | | | | | | | | | | | | | | |
| Partial Mode On, Idle Mode Off, Sleep Out | Yes | | | | | | | | | | | | | | | | | | | | | | | | |
| Partial Mode On, Idle Mode On, Sleep Out | Yes | | | | | | | | | | | | | | | | | | | | | | | | |
| Sleep In | Yes | | | | | | | | | | | | | | | | | | | | | | | | |
| Default | <table border="1"> <thead> <tr> <th>Status</th> <th>Default Value</th> </tr> </thead> <tbody> <tr> <td>Power On Sequence</td> <td>85h</td> </tr> <tr> <td>S/W Reset</td> <td>85h</td> </tr> <tr> <td>H/W Reset</td> <td>85h</td> </tr> </tbody> </table> | | | | | | | | | | | | | Status | Default Value | Power On Sequence | 85h | S/W Reset | 85h | H/W Reset | 85h | | | | |
| Status | Default Value | | | | | | | | | | | | | | | | | | | | | | | | |
| Power On Sequence | 85h | | | | | | | | | | | | | | | | | | | | | | | | |
| S/W Reset | 85h | | | | | | | | | | | | | | | | | | | | | | | | |
| H/W Reset | 85h | | | | | | | | | | | | | | | | | | | | | | | | |
| Flow Chart | <div style="display: flex; justify-content: space-around;"> <div style="text-align: center;"> <p>Serial I/F Mode</p> </div> <div style="text-align: center;"> <p>Parallel I/F Mode</p> </div> </div> <div style="margin-top: 20px;"> <p>Legend</p> <ul style="list-style-type: none"> Command Parameter Display Action Mode Sequential transfer </div> | | | | | | | | | | | | | | | | | | | | | | | | |

9.1.47 RDID2 (DBh): Read ID2

| DBH | RDID2 (Read ID2) | | | | | | | | | | | | | | | | | | | | | | | | |
|---|--|-----|-----|-------|------|------|------|------|------|------|------|------|-------|--------|---------------|--|-----|---|-----|---|-----|--|-----|----------|-----|
| Inst / Para | D/CX | WRX | RDX | D17-8 | D7 | D6 | D5 | D4 | D3 | D2 | D1 | D0 | HEX | | | | | | | | | | | | |
| RDID2 | 0 | ↑ | 1 | - | 1 | 1 | 0 | 1 | 1 | 0 | 1 | 1 | (DBh) | | | | | | | | | | | | |
| 1 st parameter | 1 | 1 | ↑ | - | - | - | - | - | - | - | - | - | | | | | | | | | | | | | |
| 2 nd parameter | 1 | 1 | ↑ | - | ID27 | ID26 | ID25 | ID24 | ID23 | ID22 | ID21 | ID20 | | | | | | | | | | | | | |
| Description | This read byte is used to track the LCD module/driver IC version. '-': Don't care. | | | | | | | | | | | | | | | | | | | | | | | | |
| Restriction | - | | | | | | | | | | | | | | | | | | | | | | | | |
| Register availability | <table border="1"> <thead> <tr> <th>Status</th> <th>Availability</th> </tr> </thead> <tbody> <tr> <td>Normal Mode On, Idle Mode Off, Sleep Out</td> <td>Yes</td> </tr> <tr> <td>Normal Mode On, Idle Mode On, Sleep Out</td> <td>Yes</td> </tr> <tr> <td>Partial Mode On, Idle Mode Off, Sleep Out</td> <td>Yes</td> </tr> <tr> <td>Partial Mode On, Idle Mode On, Sleep Out</td> <td>Yes</td> </tr> <tr> <td>Sleep In</td> <td>Yes</td> </tr> </tbody> </table> | | | | | | | | | | | | | Status | Availability | Normal Mode On, Idle Mode Off, Sleep Out | Yes | Normal Mode On, Idle Mode On, Sleep Out | Yes | Partial Mode On, Idle Mode Off, Sleep Out | Yes | Partial Mode On, Idle Mode On, Sleep Out | Yes | Sleep In | Yes |
| Status | Availability | | | | | | | | | | | | | | | | | | | | | | | | |
| Normal Mode On, Idle Mode Off, Sleep Out | Yes | | | | | | | | | | | | | | | | | | | | | | | | |
| Normal Mode On, Idle Mode On, Sleep Out | Yes | | | | | | | | | | | | | | | | | | | | | | | | |
| Partial Mode On, Idle Mode Off, Sleep Out | Yes | | | | | | | | | | | | | | | | | | | | | | | | |
| Partial Mode On, Idle Mode On, Sleep Out | Yes | | | | | | | | | | | | | | | | | | | | | | | | |
| Sleep In | Yes | | | | | | | | | | | | | | | | | | | | | | | | |
| Default | <table border="1"> <thead> <tr> <th>Status</th> <th>Default Value</th> </tr> </thead> <tbody> <tr> <td>Power On Sequence</td> <td>85h</td> </tr> <tr> <td>S/W Reset</td> <td>85h</td> </tr> <tr> <td>H/W Reset</td> <td>85h</td> </tr> </tbody> </table> | | | | | | | | | | | | | Status | Default Value | Power On Sequence | 85h | S/W Reset | 85h | H/W Reset | 85h | | | | |
| Status | Default Value | | | | | | | | | | | | | | | | | | | | | | | | |
| Power On Sequence | 85h | | | | | | | | | | | | | | | | | | | | | | | | |
| S/W Reset | 85h | | | | | | | | | | | | | | | | | | | | | | | | |
| H/W Reset | 85h | | | | | | | | | | | | | | | | | | | | | | | | |
| Flow Chart | <div style="display: flex; justify-content: space-around;"> <div style="text-align: center;"> <p>Serial I/F Mode</p> </div> <div style="text-align: center;"> <p>Parallel I/F Mode</p> </div> </div> <div style="margin-top: 20px;"> <p>Legend</p> <ul style="list-style-type: none"> Command: [Parallelogram] Parameter: [Trapezoid] Display: [Oval] Action: [Hexagon] Mode: [Rounded Rectangle] Sequential transfer: [Wavy-bottom Rectangle] </div> | | | | | | | | | | | | | | | | | | | | | | | | |

9.1.48 RDID3 (DCh): Read ID3

| DCH | RDID3 (Read ID3) | | | | | | | | | | | | | | | | | | | | | | | | |
|---|--|-----|-----|-------|------|------|------|------|------|------|------|------|-------|--------|---------------|--|-----|---|-----|---|-----|--|-----|----------|-----|
| Inst / Para | D/CX | WRX | RDX | D17-8 | D7 | D6 | D5 | D4 | D3 | D2 | D1 | D0 | HEX | | | | | | | | | | | | |
| RDID3 | 0 | ↑ | 1 | - | 1 | 1 | 0 | 1 | 1 | 1 | 0 | 0 | (DCh) | | | | | | | | | | | | |
| 1 st parameter | 1 | 1 | ↑ | - | - | - | - | - | - | - | - | - | | | | | | | | | | | | | |
| 2 nd parameter | 1 | 1 | ↑ | - | ID37 | ID36 | ID35 | ID34 | ID33 | ID32 | ID31 | ID30 | | | | | | | | | | | | | |
| Description | This read byte identifies the LCD module/driver. | | | | | | | | | | | | | | | | | | | | | | | | |
| Restriction | - | | | | | | | | | | | | | | | | | | | | | | | | |
| Register availability | <table border="1"> <thead> <tr> <th>Status</th> <th>Availability</th> </tr> </thead> <tbody> <tr> <td>Normal Mode On, Idle Mode Off, Sleep Out</td> <td>Yes</td> </tr> <tr> <td>Normal Mode On, Idle Mode On, Sleep Out</td> <td>Yes</td> </tr> <tr> <td>Partial Mode On, Idle Mode Off, Sleep Out</td> <td>Yes</td> </tr> <tr> <td>Partial Mode On, Idle Mode On, Sleep Out</td> <td>Yes</td> </tr> <tr> <td>Sleep In</td> <td>Yes</td> </tr> </tbody> </table> | | | | | | | | | | | | | Status | Availability | Normal Mode On, Idle Mode Off, Sleep Out | Yes | Normal Mode On, Idle Mode On, Sleep Out | Yes | Partial Mode On, Idle Mode Off, Sleep Out | Yes | Partial Mode On, Idle Mode On, Sleep Out | Yes | Sleep In | Yes |
| Status | Availability | | | | | | | | | | | | | | | | | | | | | | | | |
| Normal Mode On, Idle Mode Off, Sleep Out | Yes | | | | | | | | | | | | | | | | | | | | | | | | |
| Normal Mode On, Idle Mode On, Sleep Out | Yes | | | | | | | | | | | | | | | | | | | | | | | | |
| Partial Mode On, Idle Mode Off, Sleep Out | Yes | | | | | | | | | | | | | | | | | | | | | | | | |
| Partial Mode On, Idle Mode On, Sleep Out | Yes | | | | | | | | | | | | | | | | | | | | | | | | |
| Sleep In | Yes | | | | | | | | | | | | | | | | | | | | | | | | |
| Default | <table border="1"> <thead> <tr> <th>Status</th> <th>Default Value</th> </tr> </thead> <tbody> <tr> <td>Power On Sequence</td> <td>52h</td> </tr> <tr> <td>S/W Reset</td> <td>52h</td> </tr> <tr> <td>H/W Reset</td> <td>52h</td> </tr> </tbody> </table> | | | | | | | | | | | | | Status | Default Value | Power On Sequence | 52h | S/W Reset | 52h | H/W Reset | 52h | | | | |
| Status | Default Value | | | | | | | | | | | | | | | | | | | | | | | | |
| Power On Sequence | 52h | | | | | | | | | | | | | | | | | | | | | | | | |
| S/W Reset | 52h | | | | | | | | | | | | | | | | | | | | | | | | |
| H/W Reset | 52h | | | | | | | | | | | | | | | | | | | | | | | | |
| Flow Chart | <div style="display: flex; justify-content: space-around;"> <div style="text-align: center;"> <p>Serial I/F Mode</p> </div> <div style="text-align: center;"> <p>Parallel I/F Mode</p> </div> </div> <div style="margin-top: 20px;"> <p>Legend</p> <ul style="list-style-type: none"> Command Parameter Display Action Mode Sequential transfer </div> | | | | | | | | | | | | | | | | | | | | | | | | |

9.2 System Function Command Table 2

| Instruction | D/CX | WRX | RDX | D17-8 | D7 | D6 | D5 | D4 | D3 | D2 | D1 | D0 | Hex | Function | |
|-------------|------|-----|-----|-------|------|-------|--------|--------|--------|--------|--------|--------|-------|---------------------------|--|
| RAMCTRL | 0 | ↑ | 1 | - | 1 | 0 | 1 | 1 | 0 | 0 | 0 | 0 | (B0h) | RAM Control | |
| | 1 | ↑ | 1 | - | 0 | 0 | 0 | RM | 0 | 0 | DM1 | DM0 | | | |
| | 1 | ↑ | 1 | - | 1 | 1 | EPF1 | EPF0 | ENDIAN | RIM | MDT1 | MDT0 | | | |
| RGBCTRL | 0 | ↑ | 1 | - | 1 | 0 | 1 | 1 | 0 | 0 | 0 | 1 | (B1h) | RGB Control | |
| | 1 | ↑ | 1 | - | WO | RCM1 | RCM0 | 0 | VSPL | HSPL | DPL | EPL | | | |
| | 1 | ↑ | 1 | - | 0 | VBP6 | VBP5 | VBP4 | VBP3 | VBP2 | VBP1 | VBP0 | | | |
| PORCTRL | 0 | ↑ | 1 | - | 1 | 0 | 1 | 1 | 0 | 0 | 1 | 0 | (B2h) | Porch control | |
| | 1 | ↑ | 1 | - | 0 | BPA6 | BPA5 | BPA4 | BPA3 | BPA2 | BPA1 | BPA0 | | | |
| | 1 | ↑ | 1 | - | 0 | FPA6 | FPA5 | FPA4 | FPA3 | FPA2 | FPA1 | FPA0 | | | |
| | 1 | ↑ | 1 | - | 0 | 0 | 0 | 0 | 0 | 0 | 0 | PSEN | | | |
| | 1 | ↑ | 1 | - | 0 | BPB3 | BPB2 | BPB1 | BPB0 | FPB3 | FPB2 | FPB1 | FPB0 | | |
| FRCTRL1 | 0 | ↑ | 1 | - | 1 | 0 | 1 | 1 | 0 | 0 | 1 | 1 | (B3h) | Frame Rate Control 1 | |
| | 1 | ↑ | 1 | - | 0 | 0 | 0 | FRSEN | 0 | 0 | DIV1 | DIV0 | | | |
| | 1 | ↑ | 1 | - | NLB2 | NLB1 | NLB0 | RTNB4 | RTNB3 | RTNB2 | RTNB1 | RTNB0 | | | |
| | 1 | ↑ | 1 | - | NLC2 | NLC1 | NLC0 | RTNC4 | RTNC3 | RTNC2 | RTNC1 | RTNC0 | | | |
| PARCTRL | 0 | ↑ | 1 | - | 1 | 0 | 1 | 1 | 0 | 1 | 0 | 1 | (B5h) | Partial control | |
| | 1 | ↑ | 1 | - | NDL | 0 | 0 | PTGISC | ISC3 | ISC2 | ISC1 | ISC0 | | | |
| GCTRL | 0 | ↑ | 1 | - | 1 | 0 | 1 | 1 | 0 | 1 | 1 | 1 | (B7h) | Gate control | |
| | 1 | ↑ | 1 | - | 0 | VGHS2 | VGHS1 | VGHS0 | 0 | VGLS2 | VGLS1 | VGLS0 | | | |
| GTADJ | 0 | ↑ | 1 | - | 1 | 0 | 1 | 1 | 1 | 0 | 0 | 0 | (B8h) | Gate on timing adjustment | |
| | 1 | ↑ | 1 | - | 0 | 0 | 1 | 0 | 1 | 0 | 1 | 0 | | | |
| | 1 | ↑ | 1 | - | 0 | 0 | 0 | GTA5 | GTA4 | GTA3 | GTA2 | GTA1 | GTA0 | | |
| | 1 | ↑ | 1 | - | 0 | GOFR3 | GOFR2 | GOFR1 | GOFR0 | GOF3 | GOF2 | GOF1 | GOF0 | | |
| DGMEN | 0 | ↑ | 1 | - | 1 | 0 | 1 | 1 | 1 | 0 | 1 | 0 | (BAh) | Digital Gamma Enable | |
| | 1 | ↑ | 1 | - | 0 | 0 | 0 | 0 | 0 | DGMEN | 0 | 0 | | | |
| VCOMS | 0 | ↑ | 1 | - | 1 | 0 | 1 | 1 | 1 | 0 | 1 | 1 | (BBh) | VCOM Setting | |
| | 1 | ↑ | 1 | - | 0 | 0 | VCOMS5 | VCOMS4 | VCOMS3 | VCOMS2 | VCOMS1 | VCOMS0 | | | |
| POWSAVE | 0 | ↑ | 1 | - | 1 | 0 | 1 | 1 | 1 | 1 | 0 | 0 | (BCh) | Power saving mode | |
| | 1 | ↑ | 1 | - | 1 | 1 | 1 | 0 | 1 | 1 | NS | IS | | | |

| Instruction | D/CX | WRX | RDX | D17-8 | D7 | D6 | D5 | D4 | D3 | D2 | D1 | D0 | Hex | Function |
|-------------|------|-----|-----|-------|-------|-------|---------|---------|----------|---------|---------|----------|-------|---------------------------|
| DLPOFFSAVE | 0 | ↑ | 1 | - | 1 | 0 | 1 | 1 | 1 | 1 | 0 | 1 | (BDh) | Display off |
| | 1 | ↑ | 1 | - | 1 | 1 | 1 | 1 | 1 | 1 | 1 | DOFFSAVE | | power save |
| LCMCTRL | 0 | ↑ | 1 | - | 1 | 1 | 0 | 0 | 0 | 0 | 0 | 0 | (C0h) | LCM |
| | 1 | ↑ | 1 | - | 0 | XMY | XBGR | XINV | XXM | XXM | XXM | XGS | | Control |
| IDSET | 0 | ↑ | 1 | - | 1 | 1 | 0 | 0 | 0 | 0 | 0 | 1 | (C1h) | ID Setting |
| | 1 | ↑ | 1 | - | ID17 | ID16 | ID15 | ID14 | ID13 | ID12 | ID11 | ID10 | | |
| | 1 | ↑ | 1 | - | ID27 | ID26 | ID25 | ID24 | ID23 | ID22 | ID21 | ID20 | | |
| | 1 | ↑ | 1 | - | ID37 | ID36 | ID35 | ID34 | ID33 | ID32 | ID31 | ID30 | | |
| VDVVRHEN | 0 | ↑ | 1 | - | 1 | 1 | 0 | 0 | 0 | 0 | 1 | 0 | (C2h) | VDV and |
| | 1 | ↑ | 1 | - | 0 | 0 | 0 | 0 | 0 | 0 | 0 | CMDEN | | VRH |
| | 1 | ↑ | 1 | - | 1 | 1 | 1 | 1 | 1 | 1 | 1 | 1 | | Command Enable |
| VRHS | 0 | ↑ | 1 | | 1 | 1 | 0 | 0 | 0 | 0 | 1 | 1 | (C3h) | VRH Set |
| | 1 | ↑ | 1 | | 0 | 0 | VRHS5 | VRHS4 | VRHS3 | VRHS2 | VRHS1 | VRHS0 | | |
| VDVSET | 0 | ↑ | 1 | - | 1 | 1 | 0 | 0 | 0 | 1 | 0 | 0 | (C4h) | VDV |
| | 1 | ↑ | 1 | - | 0 | 0 | VDVS5 | VDVS4 | VDVS3 | VDVS2 | VDVS1 | VDVS0 | | Setting |
| VCMOFSET | 0 | ↑ | 1 | - | 1 | 1 | 0 | 0 | 0 | 1 | 0 | 1 | (C5h) | VCOM |
| | 1 | ↑ | 1 | - | 0 | 0 | VCMOFS5 | VCMOFS4 | VCMOFS3 | VCMOFS2 | VCMOFS1 | VCMOFS0 | | Offset Set |
| FRCTR2 | 0 | ↑ | 1 | | 1 | 1 | 0 | 0 | 0 | 1 | 1 | 0 | (C6h) | FR Control 2 |
| | 1 | ↑ | 1 | | NLA2 | NLA1 | NLA0 | RTNA4 | RTNA3 | RTNA2 | RTNA1 | RTNA0 | | |
| CABCCTRL | 0 | ↑ | 1 | - | 1 | 1 | 0 | 0 | 0 | 1 | 1 | 1 | (C7h) | CABC |
| | 1 | ↑ | 1 | - | 0 | 0 | 0 | 0 | LEDONREV | DPOFPWM | PWMFIX | PWMPOL | | Control |
| REGSEL1 | 0 | ↑ | 1 | - | 1 | 1 | 0 | 0 | 1 | 0 | 0 | 0 | (C8h) | Register value selection1 |
| | 1 | ↑ | 1 | - | 0 | 0 | 0 | 0 | 1 | 0 | 0 | 0 | | |
| REGSEL2 | 0 | ↑ | 1 | - | 1 | 1 | 0 | 0 | 1 | 0 | 1 | 0 | (CAh) | Register value selection2 |
| | 1 | ↑ | 1 | - | 0 | 0 | 0 | 0 | 1 | 1 | 1 | 1 | | |
| PWMPRSEL | 0 | ↑ | 1 | - | 1 | 1 | 0 | 0 | 1 | 1 | 0 | 0 | (CCh) | PWM |
| | 1 | ↑ | 1 | - | 0 | 0 | CS2 | CS1 | CS0 | CLK2 | CLK1 | CLK0 | | Frequency Selection |
| PWCTRL1 | 0 | ↑ | 1 | - | 1 | 1 | 0 | 1 | 0 | 0 | 0 | 0 | (D0h) | Power Control 1 |
| | 1 | ↑ | 1 | - | 1 | 0 | 1 | 0 | 0 | 1 | 0 | 0 | | |
| | 1 | ↑ | 1 | - | AVDD1 | AVDD0 | AVCL1 | AVCL0 | 0 | 0 | VDS1 | VDS0 | | |

| Instruction | D/CX | WRX | RDX | D17-8 | D7 | D6 | D5 | D4 | D3 | D2 | D1 | D0 | Hex | Function |
|-------------|------|-----|-----|-------|-------|-------|-------|-------|-------|-------|-------|-------|-------|--------------------------------|
| VAPVANEN | 0 | ↑ | 1 | - | 1 | 1 | 0 | 1 | 0 | 0 | 1 | 0 | (D2h) | Enable |
| | 1 | ↑ | 1 | - | 0 | 1 | 0 | 0 | 1 | 1 | 0 | 0 | | VAP/VAN signal output |
| CMD2EN | 0 | ↑ | 1 | - | 1 | 1 | 0 | 1 | 1 | 1 | 1 | 1 | (DFh) | Command 2 Enable |
| | 1 | ↑ | 1 | - | 0 | 1 | 0 | 1 | 1 | 0 | 1 | 0 | (5Ah) | |
| | 1 | ↑ | 1 | - | 0 | 1 | 1 | 0 | 1 | 0 | 0 | 1 | (69h) | |
| | 1 | ↑ | 1 | - | 0 | 0 | 0 | 0 | 0 | 0 | 1 | 0 | (02h) | |
| | 1 | ↑ | 1 | - | 0 | 0 | 0 | 0 | 0 | 0 | 0 | EN | | |
| PVGAMCTRL | 0 | ↑ | 1 | - | 1 | 1 | 1 | 0 | 0 | 0 | 0 | 0 | (E0h) | Positive Voltage Gamma Control |
| | 1 | ↑ | 1 | - | V63P3 | V63P2 | V63P1 | V63P0 | V0P3 | V0P2 | V0P1 | V0P0 | | |
| | 1 | ↑ | 1 | - | 0 | 0 | V1P5 | V1P4 | V1P3 | V1P2 | V1P1 | V1P0 | | |
| | 1 | ↑ | 1 | - | 0 | 0 | V2P5 | V2P4 | V2P3 | V2P2 | V2P1 | V2P0 | | |
| | 1 | ↑ | 1 | - | 0 | 0 | 0 | V4P4 | V4P3 | V4P2 | V4P1 | V4P0 | | |
| | 1 | ↑ | 1 | - | 0 | 0 | 0 | V6P4 | V6P3 | V6P2 | V6P1 | V6P0 | | |
| | 1 | ↑ | 1 | - | 0 | 0 | J0P1 | J0P0 | V13P3 | V13P2 | V13P1 | V13P0 | | |
| | 1 | ↑ | 1 | - | 0 | V20P6 | V20P5 | V20P4 | V20P3 | V20P2 | V20P1 | V20P0 | | |
| | 1 | ↑ | 1 | - | 0 | V36P2 | V36P1 | V36P0 | 0 | V27P2 | V27P1 | V27P0 | | |
| | 1 | ↑ | 1 | - | 0 | V43P6 | V43P5 | V43P4 | V43P3 | V43P2 | V43P1 | V43P0 | | |
| | 1 | ↑ | 1 | - | 0 | 0 | J1P1 | J1P0 | V50P3 | V50P2 | V50P1 | V50P0 | | |
| | 1 | ↑ | 1 | - | 0 | 0 | 0 | V57P4 | V57P3 | V57P2 | V57P1 | V57P0 | | |
| | 1 | ↑ | 1 | - | 0 | 0 | 0 | V59P4 | V59P3 | V59P2 | V59P1 | V59P0 | | |
| | 1 | ↑ | 1 | - | 0 | 0 | V61P5 | V61P4 | V61P3 | V61P2 | V61P1 | V61P0 | | |
| 1 | ↑ | 1 | - | 0 | 0 | V62P5 | V62P4 | V62P3 | V62P2 | V62P1 | V62P0 | | | |
| NVGAMCTRL | 0 | ↑ | 1 | - | 1 | 1 | 1 | 0 | 0 | 0 | 0 | 1 | (E1h) | Negative Voltage Gamma Control |
| | 1 | ↑ | 1 | - | V63N3 | V63N2 | V63N1 | V63N0 | V0N3 | V0N2 | V0N1 | V0N0 | | |
| | 1 | ↑ | 1 | - | 0 | 0 | V1N5 | V1N4 | V1N3 | V1N2 | V1N1 | V1N0 | | |
| | 1 | ↑ | 1 | - | 0 | 0 | V2N5 | V2N4 | V2N3 | V2N2 | V2N1 | V2N0 | | |
| | 1 | ↑ | 1 | - | 0 | 0 | 0 | V4N4 | V4N3 | V4N2 | V4N1 | V4N0 | | |
| | 1 | ↑ | 1 | - | 0 | 0 | 0 | V6N4 | V6N3 | V6N2 | V6N1 | V6N0 | | |

| Instruction | D/CX | WRX | RDX | D17-8 | D7 | D6 | D5 | D4 | D3 | D2 | D1 | D0 | Hex | Function |
|-------------|------|-----|-----|-------|------------------|-------|-------|-------|-------|-------|-------|-------|-------|--|
| | 1 | ↑ | 1 | - | 0 | 0 | J0N1 | J0N0 | V13N3 | V13N2 | V13N1 | V13N0 | | |
| | 1 | ↑ | 1 | | 0 | V20N6 | V20N5 | V20N4 | V20N3 | V20N2 | V20N1 | V20N0 | | |
| | 1 | ↑ | 1 | | 0 | V36N2 | V36N1 | V36N0 | 0 | V27N2 | V27N1 | V27N0 | | |
| | 1 | ↑ | 1 | | 0 | V43N6 | V43N5 | V43N4 | V43N3 | V43N2 | V43N1 | V43N0 | | |
| | 1 | ↑ | 1 | | 0 | 0 | J1N1 | J1N0 | V50N3 | V50N2 | V50N1 | V50N0 | | |
| | 1 | ↑ | 1 | | 0 | 0 | 0 | V57N4 | V57N3 | V57N2 | V57N1 | V57N0 | | |
| | 1 | ↑ | 1 | | 0 | 0 | 0 | V59N4 | V59N3 | V59N2 | V59N1 | V59N0 | | |
| | 1 | ↑ | 1 | | 0 | 0 | V61N5 | V61N4 | V61N3 | V61N2 | V61N1 | V61N0 | | |
| | 1 | ↑ | 1 | | 0 | 0 | V62N5 | V62N4 | V62N3 | V62N2 | V62N1 | V62N0 | | |
| DGMLUTR | 0 | ↑ | 1 | - | 1 | 1 | 1 | 0 | 0 | 0 | 1 | 0 | (E2h) | |
| | 1 | ↑ | 1 | - | DGM_LUT_R00[7:0] | | | | | | | | | Digital Gamma Look-up Table for Red |
| | 1 | ↑ | 1 | - | DGM_LUT_R01[7:0] | | | | | | | | | |
| | 1 | ↑ | 1 | - | ⋮ | | | | | | | | | |
| | 1 | ↑ | 1 | - | DGM_LUT_R30[7:0] | | | | | | | | | |
| | 1 | ↑ | 1 | - | DGM_LUT_R31[7:0] | | | | | | | | | |
| | 1 | ↑ | 1 | - | ⋮ | | | | | | | | | |
| | 1 | ↑ | 1 | - | DGM_LUT_R62[7:0] | | | | | | | | | |
| | 1 | ↑ | 1 | - | DGM_LUT_R63[7:0] | | | | | | | | | |
| DGMLUTB | 0 | ↑ | 1 | - | 1 | 1 | 1 | 0 | 0 | 0 | 1 | 1 | (E3h) | |
| | 1 | ↑ | 1 | - | DGM_LUT_B00[7:0] | | | | | | | | | Digital Gamma Look-up Table for Blue |
| | 1 | ↑ | 1 | - | DGM_LUT_B01[7:0] | | | | | | | | | |
| | 1 | ↑ | 1 | - | ⋮ | | | | | | | | | |
| | 1 | ↑ | 1 | - | DGM_LUT_B30[7:0] | | | | | | | | | |
| | 1 | ↑ | 1 | - | DGM_LUT_B31[7:0] | | | | | | | | | |
| | 1 | ↑ | 1 | - | ⋮ | | | | | | | | | |
| | 1 | ↑ | 1 | - | DGM_LUT_B62[7:0] | | | | | | | | | |
| | 1 | ↑ | 1 | - | DGM_LUT_B63[7:0] | | | | | | | | | |
| GATECTRL | 0 | ↑ | 1 | - | 1 | 1 | 1 | 0 | 0 | 1 | 0 | 0 | (E4h) | |
| | 1 | ↑ | 1 | - | 0 | 0 | NL5 | NL4 | NL3 | NL2 | NL1 | NL0 | | control |

| Instruction | D/CX | WRX | RDX | D17-8 | D7 | D6 | D5 | D4 | D3 | D2 | D1 | D0 | Hex | Function |
|-------------|------|-----|-----|-------|------|------|--------|--------|--------|--------|----------|----------|-------|-----------------------------|
| | 1 | ↑ | 1 | - | 0 | 0 | SCN5 | SCN4 | SCN3 | SCN2 | SCN1 | SCN0 | | |
| | 1 | ↑ | 1 | - | 0 | 0 | 0 | TMG | 0 | SM | 0 | GS | | |
| SPI2EN | 0 | ↑ | 1 | - | 1 | 1 | 1 | 0 | 0 | 1 | 1 | 1 | (E7h) | SPI2 enable |
| | 1 | ↑ | 1 | - | 0 | 0 | 0 | SPI2EN | 0 | 0 | 0 | SPIRD | | |
| PWCTRL2 | 0 | ↑ | 1 | - | 1 | 1 | 1 | 0 | 1 | 0 | 0 | 0 | (E8h) | Power Control 2 |
| | 1 | ↑ | 1 | - | 1 | 0 | SBCLK1 | SBCLK0 | 0 | 0 | STP14CK1 | STP14CK0 | | |
| EQCTRL | 0 | ↑ | 1 | - | 1 | 1 | 1 | 0 | 1 | 0 | 0 | 1 | (E9h) | Equalize Time Control |
| | 1 | ↑ | 1 | - | 0 | 0 | 0 | SEQ4 | SEQ3 | SEQ2 | SEQ1 | SEQ0 | | |
| | 1 | ↑ | 1 | - | 0 | 0 | 0 | SPRET4 | SPRET3 | SPRET2 | SPRET1 | SPRET0 | | |
| | 1 | ↑ | 1 | - | 0 | 0 | 0 | 0 | GEQ3 | GEQ2 | GEQ1 | GEQ0 | | |
| PROMCTRL | 0 | ↑ | 1 | - | 1 | 1 | 1 | 0 | 1 | 1 | 0 | 0 | (ECh) | Program Control |
| | 1 | ↑ | 1 | - | 0 | 0 | 0 | 0 | 0 | 0 | 0 | 1 | | |
| PROMEN | 0 | ↑ | 1 | - | 1 | 1 | 1 | 1 | 1 | 0 | 1 | 0 | (FAh) | Program Mode Enable |
| | 1 | ↑ | 1 | - | 0 | 1 | 0 | 1 | 1 | 0 | 1 | 0 | | |
| | 1 | ↑ | 1 | - | 0 | 1 | 1 | 0 | 1 | 0 | 0 | 1 | | |
| | 1 | ↑ | 1 | - | 1 | 1 | 1 | 0 | 1 | 1 | 1 | 0 | | |
| | 1 | ↑ | 1 | - | 0 | 0 | 0 | 0 | 0 | PROMEN | 0 | 0 | | |
| NVMSET | 0 | ↑ | 1 | - | 1 | 1 | 1 | 1 | 1 | 1 | 0 | 0 | (FCh) | NVM Setting |
| | 1 | ↑ | 1 | - | ADD7 | ADD6 | ADD5 | ADD4 | ADD3 | ADD2 | ADD1 | ADD0 | | |
| | 1 | ↑ | 1 | - | D7 | D6 | D5 | D4 | D3 | D2 | D1 | D0 | | |
| PROMACT | 0 | ↑ | 1 | - | 1 | 1 | 1 | 1 | 1 | 1 | 1 | 0 | (FEh) | Program Action |
| | 1 | ↑ | 1 | - | 0 | 0 | 0 | 1 | 1 | 0 | 0 | 1 | | |
| | 1 | ↑ | 1 | - | 1 | 0 | 1 | 0 | 0 | 1 | 0 | 1 | | |

9.2.1 RAMCTRL (B0h): RAM Control

| B0H | RAMCTR (RAM Control) | | | | | | | | | | | | HEX |
|---------------------------|----------------------|-----|-----|-------|----|----|------|------|--------|-----|------|------|-------|
| Inst / Para | D/CX | WRX | RDX | D17-8 | D7 | D6 | D5 | D4 | D3 | D2 | D1 | D0 | |
| RAMCTRL | 0 | ↑ | 1 | - | 1 | 0 | 1 | 1 | 0 | 0 | 0 | 0 | (B0h) |
| 1 st Parameter | 1 | ↑ | 1 | - | 0 | 0 | 0 | RM | 0 | 0 | DM1 | DM0 | |
| 2 nd Parameter | 1 | ↑ | 1 | - | 1 | 1 | EPF1 | EPF0 | ENDIAN | RIM | MDT1 | MDT0 | |

RM : ram access selection.
 RM="0" : Ram access from MCU interface
 RM="1" : Ram access from RGB interface

DM[1:0] : Display operation selection.

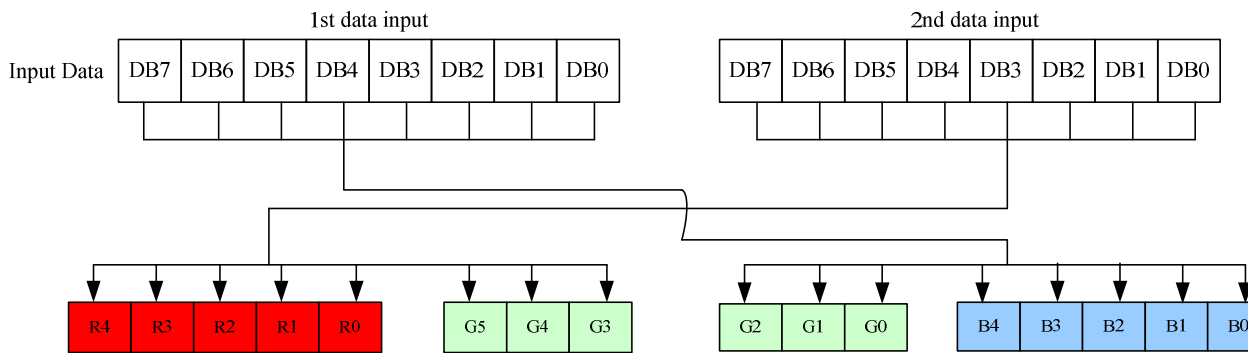
| DM[1:0] | Mode |
|---------|-----------------|
| 00h | MCU interface |
| 01h | RGB interface |
| 10h | VSYNC interface |
| 11h | Reserved |

ENDIAN :

| ENDIAN | Mode |
|--------|---------------------------|
| 0 | Normal (MSB first) |
| 1 | Little Endian (LSB first) |

Description

Note: Little Endian only can be supported in 65K 8-bit and 9-bit interface.



MDT[1:0] : Method of pixel data transfer.

Please refer to **section 8.8 Data Color Coding**

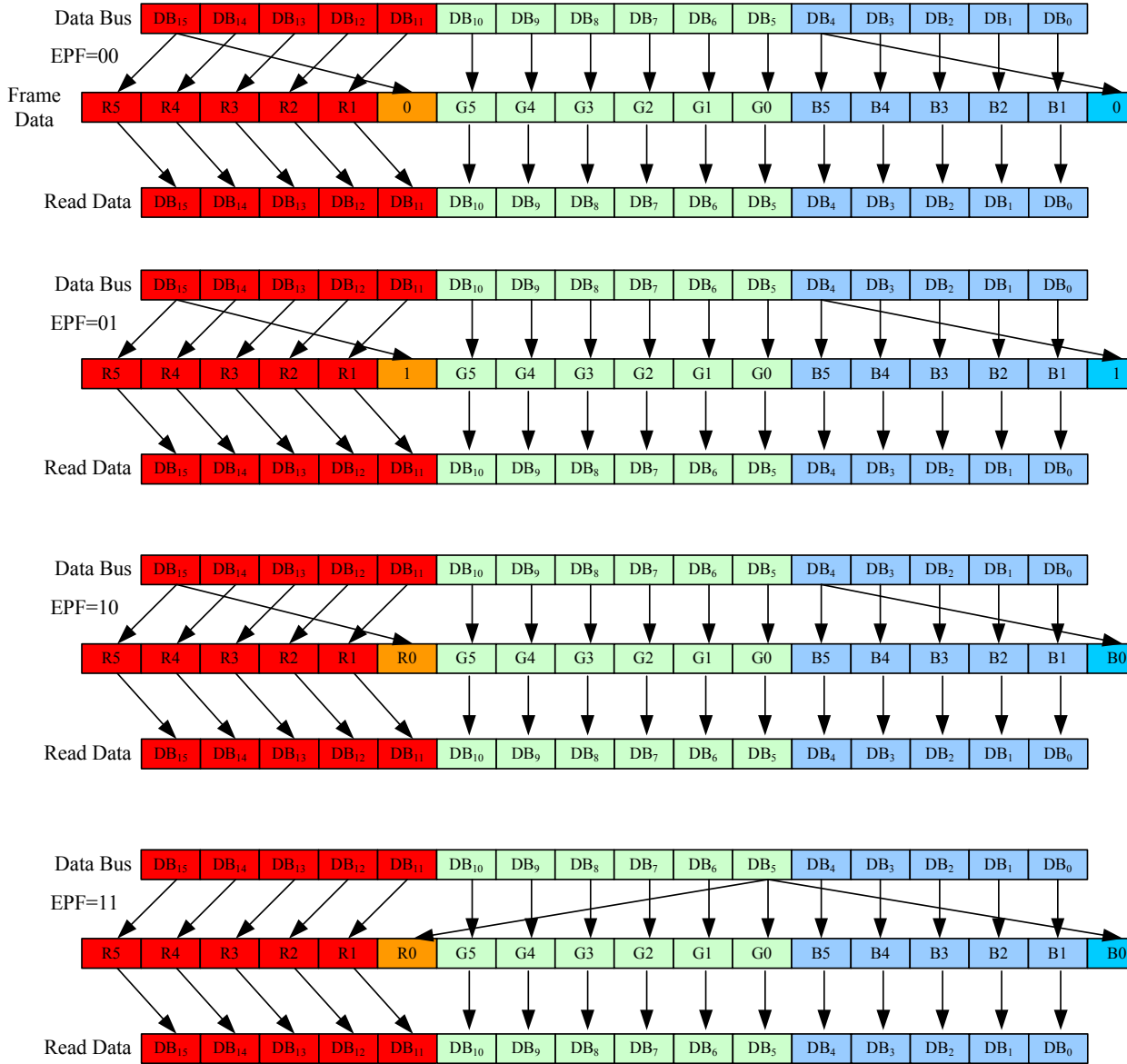
RIM: Specify RGB interface bus width.

RIM="0": 18 bit bus width.

RIM="1": 6 bit bus width

EPF[1:0] : Data translate of 65k and 4k to frame data.

65K data formate:



Register Availability



| | | Normal Mode On, Idle Mode Off, Sleep Out | Yes | | | | | | | | |
|---------|--|---|-----|--------|---------------|-------------------|---------|-----------|---------|-----------|---------|
| | | Normal Mode On, Idle Mode On, Sleep Out | Yes | | | | | | | | |
| | | Partial Mode On, Idle Mode Off, Sleep Out | Yes | | | | | | | | |
| | | Partial Mode On, Idle Mode On, Sleep Out | Yes | | | | | | | | |
| | | Sleep In | Yes | | | | | | | | |
| Default | <table border="1"> <thead> <tr> <th>Status</th> <th>Default Value</th> </tr> </thead> <tbody> <tr> <td>Power On Sequence</td> <td>00h/F0h</td> </tr> <tr> <td>S/W Reset</td> <td>00h/F0h</td> </tr> <tr> <td>H/W Reset</td> <td>00h/F0h</td> </tr> </tbody> </table> | | | Status | Default Value | Power On Sequence | 00h/F0h | S/W Reset | 00h/F0h | H/W Reset | 00h/F0h |
| | Status | Default Value | | | | | | | | | |
| | Power On Sequence | 00h/F0h | | | | | | | | | |
| | S/W Reset | 00h/F0h | | | | | | | | | |
| | H/W Reset | 00h/F0h | | | | | | | | | |

9.2.2 RGBCTRL (B1h): RGB Interface Control

| B1H | RGBCTRL (RGB Interface Control) | | | | | | | | | | | | HEX | | | | | | | | |
|---|---|------|-----|-------|----|------|------|------|------|------|------|------|----------|------|------|---------------|--------|----|----------------|----|-------------|
| Inst / Para | D/CX | WRX | RDX | D17-8 | D7 | D6 | D5 | D4 | D3 | D2 | D1 | D0 | HEX | | | | | | | | |
| RGBCTRL | 0 | ↑ | 1 | - | 1 | 0 | 1 | 1 | 0 | 0 | 0 | 1 | (B1h) | | | | | | | | |
| 1 st parameter | 1 | ↑ | 1 | - | WO | RCM1 | RCM0 | 0 | VSPL | HSPL | DPL | EPL | | | | | | | | | |
| 2 nd parameter | 1 | ↑ | 1 | - | 0 | VBP6 | VBP5 | VBP4 | VBP3 | VBP2 | VBP1 | VBPO | | | | | | | | | |
| 3 rd parameter | 1 | ↑ | 1 | - | 0 | 0 | 0 | HBP4 | HBP3 | HBP2 | HBP1 | HBPO | | | | | | | | | |
| Description | <p>WO: Direct RGB mode.</p> <table border="1"> <thead> <tr> <th>WO</th> <th>Mode</th> </tr> </thead> <tbody> <tr> <td>0</td> <td>Memory</td> </tr> <tr> <td>1</td> <td>Shift register</td> </tr> </tbody> </table> | | | | | | | | | | | | | WO | Mode | 0 | Memory | 1 | Shift register | | |
| | WO | Mode | | | | | | | | | | | | | | | | | | | |
| 0 | Memory | | | | | | | | | | | | | | | | | | | | |
| 1 | Shift register | | | | | | | | | | | | | | | | | | | | |
| <p>RCM[1:0]: RGB I/F enable mode selection.</p> <table border="1"> <thead> <tr> <th>RCM[1:0]</th> <th>Mode</th> </tr> </thead> <tbody> <tr> <td>00</td> <td rowspan="2">MCU interface</td> </tr> <tr> <td>01</td> </tr> <tr> <td>10</td> <td>RGB DE mode</td> </tr> <tr> <td>11</td> <td>RGB HV mode</td> </tr> </tbody> </table> | | | | | | | | | | | | | RCM[1:0] | Mode | 00 | MCU interface | 01 | 10 | RGB DE mode | 11 | RGB HV mode |
| RCM[1:0] | Mode | | | | | | | | | | | | | | | | | | | | |
| 00 | MCU interface | | | | | | | | | | | | | | | | | | | | |
| 01 | | | | | | | | | | | | | | | | | | | | | |
| 10 | RGB DE mode | | | | | | | | | | | | | | | | | | | | |
| 11 | RGB HV mode | | | | | | | | | | | | | | | | | | | | |
| <p>VSPL : Sets the signal polarity of the VSYNC pin. VSPL="0", Low active VSPL="1", High active</p> <p>HSPL : Sets the signal polarity of the HSYNC pin. HSPL="0", Low active HSPL="1", High active</p> <p>DPL : Sets the signal polarity of the DOTCLK pin. DPL = "0" The data is input on the positive edge of DOTCLK DPL = "1" The data is input on the negative edge of DOTCLK</p> <p>EPL : Sets the signal polarity of the ENABLE pin. EPL = "0" The data DB17-0 is written when ENABLE = "1". Disable data write operation when ENABLE = "0". EPL = "1" The data DB17-0 is written when ENABLE = "0". Disable data write operation when ENABLE = "1".</p> <p>VBP[6:0]: RGB interface Vsync back porch setting. Minimum setting is 0x02.</p> <p>HBP[4:0]: RGB interface Hsync back porch setting. Please refer to the section 8.9.3 for minimum setting.</p> | | | | | | | | | | | | | | | | | | | | | |
| Register Availability | | | | | | | | | | | | | | | | | | | | | |

| | | | |
|---------|--|---|---------------|
| | | Status | Availability |
| | | Normal Mode On, Idle Mode Off, Sleep Out | Yes |
| | | Normal Mode On, Idle Mode On, Sleep Out | Yes |
| | | Partial Mode On, Idle Mode Off, Sleep Out | Yes |
| | | Partial Mode On, Idle Mode On, Sleep Out | Yes |
| | | Sleep In | Yes |
| Default | | Status | Default Value |
| | | Power On Sequence | 40h/02h/14h |
| | | S/W Reset | 40h/02h/14h |
| | | H/W Reset | 40h/02h/14h |

9.2.3 PORCTRL (B2h): Porch Setting

| B2H | PORCTRL (Porch Setting) | | | | | | | | | | | | HEX | | | | | | |
|---|---|--------------------------------|-----|-------|------|---------------------|------|--------------|------|------|------|------|-------|------|------|---|--------------------------------|---|-------------------------------|
| Inst / Para | D/CX | WRX | RDX | D17-8 | D7 | D6 | D5 | D4 | D3 | D2 | D1 | D0 | HEX | | | | | | |
| PORCTRL | 0 | ↑ | 1 | - | 1 | 0 | 1 | 1 | 0 | 0 | 1 | 0 | (B2h) | | | | | | |
| 1 st parameter | 1 | ↑ | 1 | - | 0 | BPA6 | BPA5 | BPA4 | BPA3 | BPA2 | BPA1 | BPA0 | | | | | | | |
| 2 nd parameter | 1 | ↑ | 1 | - | 0 | FPA6 | FPA5 | FPA4 | FPA3 | FPA2 | FPA1 | FPA0 | | | | | | | |
| 3 rd parameter | 1 | ↑ | 1 | - | 0 | 0 | 0 | 0 | 0 | 0 | 0 | PSEN | | | | | | | |
| 4 th parameter | 1 | ↑ | 1 | - | BPB3 | BPB2 | BPB1 | BPB0 | FPB3 | FPB2 | FPB1 | FPB0 | | | | | | | |
| 5 th parameter | 1 | ↑ | 1 | - | BPC3 | BPC2 | BPC1 | BPC0 | FPC3 | FPC2 | FPC1 | FPC0 | | | | | | | |
| Description | <p>BPA[6:0]: Back porch setting in normal mode. The minimum setting is 0x01.</p> <p>FPA[6:0]: Front porch setting in normal mode. The minimum setting is 0x01.</p> <p>PSEN: Enable separate porch control.</p> <table border="1"> <thead> <tr> <th>PSEN</th> <th>Mode</th> </tr> </thead> <tbody> <tr> <td>0</td> <td>Disable separate porch control</td> </tr> <tr> <td>1</td> <td>Enable separate porch control</td> </tr> </tbody> </table> <p>BPB[3:0]: Back porch setting in idle mode. The minimum setting is 0x01.</p> <p>FPB[3:0]: Front porch setting in idle mode. The minimum setting is 0x01.</p> <p>BPC[3:0]: Back porch setting in partial mode. The minimum setting is 0x01.</p> <p>FPC[3:0]: Front porch setting in partial mode. The minimum setting is 0x01.</p> | | | | | | | | | | | | | PSEN | Mode | 0 | Disable separate porch control | 1 | Enable separate porch control |
| | PSEN | Mode | | | | | | | | | | | | | | | | | |
| | 0 | Disable separate porch control | | | | | | | | | | | | | | | | | |
| | 1 | Enable separate porch control | | | | | | | | | | | | | | | | | |
| | Register Availability | Status | | | | | | Availability | | | | | | | | | | | |
| Normal Mode On, Idle Mode Off, Sleep Out | | | | | | Yes | | | | | | | | | | | | | |
| Normal Mode On, Idle Mode On, Sleep Out | | | | | | Yes | | | | | | | | | | | | | |
| Partial Mode On, Idle Mode Off, Sleep Out | | | | | | Yes | | | | | | | | | | | | | |
| Partial Mode On, Idle Mode On, Sleep Out | | | | | | Yes | | | | | | | | | | | | | |
| Sleep In | | | | | | Yes | | | | | | | | | | | | | |
| Default | Status | | | | | Default Value | | | | | | | | | | | | | |
| | Power On Sequence | | | | | 0Ch/0Ch/00h/33h/33h | | | | | | | | | | | | | |
| | S/W Reset | | | | | 0Ch/0Ch/00h/33h/33h | | | | | | | | | | | | | |
| | H/W Reset | | | | | 0Ch/0Ch/00h/33h/33h | | | | | | | | | | | | | |

9.2.4 FRCTRL1 (B3h): Frame Rate Control 1 (In partial mode/ idle colors)

| B3H | FRCTRL1 (Frame rate control 1) | | | | | | | | | | | | | | | | | | | | | | | | | | | | | | | | | | | | | | | | | | | | | | | | | | | | | | | | | | | | | | | | | | | | | | | | |
|---------------------------|--|-----------------------------|-----------|----------------------|------|------|------|-------|-------|-------|-------|-------|-------|-------|------|---|-----------------------------|---|----------------------------|----------|------|----|-------------|----|-------------|----|-------------|----|-------------|-----------|----------------------|-----------|----------------------|-----|-----|-----|----|-----|-----|-----|----|-----|-----|-----|----|-----|----|-----|----|-----|----|-----|----|-----|----|-----|----|-----|----|-----|----|-----|----|-----|----|-----|----|-----|----|-----|----|-----|----|
| Inst / Para | D/CX | WRX | RDX | D17-8 | D7 | D6 | D5 | D4 | D3 | D2 | D1 | D0 | HEX | | | | | | | | | | | | | | | | | | | | | | | | | | | | | | | | | | | | | | | | | | | | | | | | | | | | | | | | | | | | |
| FRCTRL1 | 0 | ↑ | 1 | - | 1 | 0 | 1 | 1 | 0 | 0 | 1 | 1 | (B3h) | | | | | | | | | | | | | | | | | | | | | | | | | | | | | | | | | | | | | | | | | | | | | | | | | | | | | | | | | | | | |
| 1 st parameter | 1 | ↑ | 1 | - | 0 | 0 | 0 | FRSEN | 0 | 0 | DIV1 | DIV0 | | | | | | | | | | | | | | | | | | | | | | | | | | | | | | | | | | | | | | | | | | | | | | | | | | | | | | | | | | | | | |
| 2 nd parameter | 1 | ↑ | 1 | - | NLB2 | NLB1 | NLB0 | RTNB4 | RTNB3 | RTNB2 | RTNB1 | RTNB0 | | | | | | | | | | | | | | | | | | | | | | | | | | | | | | | | | | | | | | | | | | | | | | | | | | | | | | | | | | | | | |
| 3 rd parameter | 1 | ↑ | 1 | - | NLC2 | NLC1 | NLC0 | RTNC4 | RTNC3 | RTNC2 | RTNC1 | RTNC0 | | | | | | | | | | | | | | | | | | | | | | | | | | | | | | | | | | | | | | | | | | | | | | | | | | | | | | | | | | | | | |
| Description | <p>FRSEN: Enable separate frame rate control.</p> <p>When FRSEN=0, Frame rate of idle and partial mode are determined by C6h</p> <p>When FRSEN=1, Frame rate of idle and partial mode are determined by B3h</p> <table border="1"> <thead> <tr> <th>FRSEN</th> <th>Mode</th> </tr> </thead> <tbody> <tr> <td>0</td> <td>Disable separate FR control</td> </tr> <tr> <td>1</td> <td>Enable separate FR control</td> </tr> </tbody> </table> <p>DIV[1:0]: Frame rate divided control</p> <table border="1"> <thead> <tr> <th>DIV[1:0]</th> <th>Mode</th> </tr> </thead> <tbody> <tr> <td>00</td> <td>Divide by 1</td> </tr> <tr> <td>01</td> <td>Divide by 2</td> </tr> <tr> <td>10</td> <td>Divide by 4</td> </tr> <tr> <td>11</td> <td>Divide by 8</td> </tr> </tbody> </table> <p>NLB[2:0]: Inversion selection in idle mode.</p> <p>0x00: dot inversion.</p> <p>0x07: column inversion.</p> <p>RTNB[4:0]: Frame rate control in idle mode.</p> <table border="1"> <thead> <tr> <th>RTNB[4:0]</th> <th>FR in idle mode (Hz)</th> <th>RTNB[4:0]</th> <th>FR in idle mode (Hz)</th> </tr> </thead> <tbody> <tr><td>00h</td><td>119</td><td>10h</td><td>58</td></tr> <tr><td>01h</td><td>111</td><td>11h</td><td>57</td></tr> <tr><td>02h</td><td>105</td><td>12h</td><td>55</td></tr> <tr><td>03h</td><td>99</td><td>13h</td><td>53</td></tr> <tr><td>04h</td><td>94</td><td>14h</td><td>52</td></tr> <tr><td>05h</td><td>90</td><td>15h</td><td>50</td></tr> <tr><td>06h</td><td>86</td><td>16h</td><td>49</td></tr> <tr><td>07h</td><td>82</td><td>17h</td><td>48</td></tr> <tr><td>08h</td><td>78</td><td>18h</td><td>46</td></tr> <tr><td>09h</td><td>75</td><td>19h</td><td>45</td></tr> </tbody> </table> | | | | | | | | | | | | | FRSEN | Mode | 0 | Disable separate FR control | 1 | Enable separate FR control | DIV[1:0] | Mode | 00 | Divide by 1 | 01 | Divide by 2 | 10 | Divide by 4 | 11 | Divide by 8 | RTNB[4:0] | FR in idle mode (Hz) | RTNB[4:0] | FR in idle mode (Hz) | 00h | 119 | 10h | 58 | 01h | 111 | 11h | 57 | 02h | 105 | 12h | 55 | 03h | 99 | 13h | 53 | 04h | 94 | 14h | 52 | 05h | 90 | 15h | 50 | 06h | 86 | 16h | 49 | 07h | 82 | 17h | 48 | 08h | 78 | 18h | 46 | 09h | 75 | 19h | 45 |
| | FRSEN | Mode | | | | | | | | | | | | | | | | | | | | | | | | | | | | | | | | | | | | | | | | | | | | | | | | | | | | | | | | | | | | | | | | | | | | | | | |
| | 0 | Disable separate FR control | | | | | | | | | | | | | | | | | | | | | | | | | | | | | | | | | | | | | | | | | | | | | | | | | | | | | | | | | | | | | | | | | | | | | | | |
| | 1 | Enable separate FR control | | | | | | | | | | | | | | | | | | | | | | | | | | | | | | | | | | | | | | | | | | | | | | | | | | | | | | | | | | | | | | | | | | | | | | | |
| | DIV[1:0] | Mode | | | | | | | | | | | | | | | | | | | | | | | | | | | | | | | | | | | | | | | | | | | | | | | | | | | | | | | | | | | | | | | | | | | | | | | |
| | 00 | Divide by 1 | | | | | | | | | | | | | | | | | | | | | | | | | | | | | | | | | | | | | | | | | | | | | | | | | | | | | | | | | | | | | | | | | | | | | | | |
| | 01 | Divide by 2 | | | | | | | | | | | | | | | | | | | | | | | | | | | | | | | | | | | | | | | | | | | | | | | | | | | | | | | | | | | | | | | | | | | | | | | |
| | 10 | Divide by 4 | | | | | | | | | | | | | | | | | | | | | | | | | | | | | | | | | | | | | | | | | | | | | | | | | | | | | | | | | | | | | | | | | | | | | | | |
| | 11 | Divide by 8 | | | | | | | | | | | | | | | | | | | | | | | | | | | | | | | | | | | | | | | | | | | | | | | | | | | | | | | | | | | | | | | | | | | | | | | |
| | RTNB[4:0] | FR in idle mode (Hz) | RTNB[4:0] | FR in idle mode (Hz) | | | | | | | | | | | | | | | | | | | | | | | | | | | | | | | | | | | | | | | | | | | | | | | | | | | | | | | | | | | | | | | | | | | | | |
| 00h | 119 | 10h | 58 | | | | | | | | | | | | | | | | | | | | | | | | | | | | | | | | | | | | | | | | | | | | | | | | | | | | | | | | | | | | | | | | | | | | | | |
| 01h | 111 | 11h | 57 | | | | | | | | | | | | | | | | | | | | | | | | | | | | | | | | | | | | | | | | | | | | | | | | | | | | | | | | | | | | | | | | | | | | | | |
| 02h | 105 | 12h | 55 | | | | | | | | | | | | | | | | | | | | | | | | | | | | | | | | | | | | | | | | | | | | | | | | | | | | | | | | | | | | | | | | | | | | | | |
| 03h | 99 | 13h | 53 | | | | | | | | | | | | | | | | | | | | | | | | | | | | | | | | | | | | | | | | | | | | | | | | | | | | | | | | | | | | | | | | | | | | | | |
| 04h | 94 | 14h | 52 | | | | | | | | | | | | | | | | | | | | | | | | | | | | | | | | | | | | | | | | | | | | | | | | | | | | | | | | | | | | | | | | | | | | | | |
| 05h | 90 | 15h | 50 | | | | | | | | | | | | | | | | | | | | | | | | | | | | | | | | | | | | | | | | | | | | | | | | | | | | | | | | | | | | | | | | | | | | | | |
| 06h | 86 | 16h | 49 | | | | | | | | | | | | | | | | | | | | | | | | | | | | | | | | | | | | | | | | | | | | | | | | | | | | | | | | | | | | | | | | | | | | | | |
| 07h | 82 | 17h | 48 | | | | | | | | | | | | | | | | | | | | | | | | | | | | | | | | | | | | | | | | | | | | | | | | | | | | | | | | | | | | | | | | | | | | | | |
| 08h | 78 | 18h | 46 | | | | | | | | | | | | | | | | | | | | | | | | | | | | | | | | | | | | | | | | | | | | | | | | | | | | | | | | | | | | | | | | | | | | | | |
| 09h | 75 | 19h | 45 | | | | | | | | | | | | | | | | | | | | | | | | | | | | | | | | | | | | | | | | | | | | | | | | | | | | | | | | | | | | | | | | | | | | | | |

| | <table border="1"> <tr> <td>0Ah</td> <td>72</td> <td>1Ah</td> <td>44</td> </tr> <tr> <td>0Bh</td> <td>69</td> <td>1Bh</td> <td>43</td> </tr> <tr> <td>0Ch</td> <td>67</td> <td>1Ch</td> <td>42</td> </tr> <tr> <td>0Dh</td> <td>64</td> <td>1Dh</td> <td>41</td> </tr> <tr> <td>0Eh</td> <td>62</td> <td>1Eh</td> <td>40</td> </tr> <tr> <td>0Fh</td> <td>60</td> <td>1Fh</td> <td>39</td> </tr> </table> <p>Note:</p> <ol style="list-style-type: none"> If FRSEN=1, Frame rate in idle mode=$10\text{MHz}/(320+(\text{FPB}[3:0]+\text{BPB}[3:0])*4)*(250+\text{RTNB}[4:0]*16)$. FPB[6:0] and BPB[6:0] are in command B2h In this frame rate table, FPB[3:0]=03h, BPB[3:0]=03h <p>NLC[2:0]: Inversion setting in partial mode. 0x00: dot inversion. 0x07: column inversion.</p> <p>RTNC[4:0]: Frame rate control in partial mode. This setting is equal to RTNB.</p> | 0Ah | 72 | 1Ah | 44 | 0Bh | 69 | 1Bh | 43 | 0Ch | 67 | 1Ch | 42 | 0Dh | 64 | 1Dh | 41 | 0Eh | 62 | 1Eh | 40 | 0Fh | 60 | 1Fh | 39 |
|---|---|--------|---------------|--|-------------|---|-------------|---|-------------|--|-----|----------|-----|-----|----|-----|----|-----|----|-----|----|-----|----|-----|----|
| 0Ah | 72 | 1Ah | 44 | | | | | | | | | | | | | | | | | | | | | | |
| 0Bh | 69 | 1Bh | 43 | | | | | | | | | | | | | | | | | | | | | | |
| 0Ch | 67 | 1Ch | 42 | | | | | | | | | | | | | | | | | | | | | | |
| 0Dh | 64 | 1Dh | 41 | | | | | | | | | | | | | | | | | | | | | | |
| 0Eh | 62 | 1Eh | 40 | | | | | | | | | | | | | | | | | | | | | | |
| 0Fh | 60 | 1Fh | 39 | | | | | | | | | | | | | | | | | | | | | | |
| Register Availability | <table border="1"> <thead> <tr> <th>Status</th> <th>Availability</th> </tr> </thead> <tbody> <tr> <td>Normal Mode On, Idle Mode Off, Sleep Out</td> <td>Yes</td> </tr> <tr> <td>Normal Mode On, Idle Mode On, Sleep Out</td> <td>Yes</td> </tr> <tr> <td>Partial Mode On, Idle Mode Off, Sleep Out</td> <td>Yes</td> </tr> <tr> <td>Partial Mode On, Idle Mode On, Sleep Out</td> <td>Yes</td> </tr> <tr> <td>Sleep In</td> <td>Yes</td> </tr> </tbody> </table> | Status | Availability | Normal Mode On, Idle Mode Off, Sleep Out | Yes | Normal Mode On, Idle Mode On, Sleep Out | Yes | Partial Mode On, Idle Mode Off, Sleep Out | Yes | Partial Mode On, Idle Mode On, Sleep Out | Yes | Sleep In | Yes | | | | | | | | | | | | |
| Status | Availability | | | | | | | | | | | | | | | | | | | | | | | | |
| Normal Mode On, Idle Mode Off, Sleep Out | Yes | | | | | | | | | | | | | | | | | | | | | | | | |
| Normal Mode On, Idle Mode On, Sleep Out | Yes | | | | | | | | | | | | | | | | | | | | | | | | |
| Partial Mode On, Idle Mode Off, Sleep Out | Yes | | | | | | | | | | | | | | | | | | | | | | | | |
| Partial Mode On, Idle Mode On, Sleep Out | Yes | | | | | | | | | | | | | | | | | | | | | | | | |
| Sleep In | Yes | | | | | | | | | | | | | | | | | | | | | | | | |
| Default | <table border="1"> <thead> <tr> <th>Status</th> <th>Default Value</th> </tr> </thead> <tbody> <tr> <td>Power On Sequence</td> <td>00h/0Fh/0Fh</td> </tr> <tr> <td>S/W Reset</td> <td>00h/0Fh/0Fh</td> </tr> <tr> <td>H/W Reset</td> <td>00h/0Fh/0Fh</td> </tr> </tbody> </table> | Status | Default Value | Power On Sequence | 00h/0Fh/0Fh | S/W Reset | 00h/0Fh/0Fh | H/W Reset | 00h/0Fh/0Fh | | | | | | | | | | | | | | | | |
| Status | Default Value | | | | | | | | | | | | | | | | | | | | | | | | |
| Power On Sequence | 00h/0Fh/0Fh | | | | | | | | | | | | | | | | | | | | | | | | |
| S/W Reset | 00h/0Fh/0Fh | | | | | | | | | | | | | | | | | | | | | | | | |
| H/W Reset | 00h/0Fh/0Fh | | | | | | | | | | | | | | | | | | | | | | | | |

9.2.5 PARCTRL (B5h): Partial Control

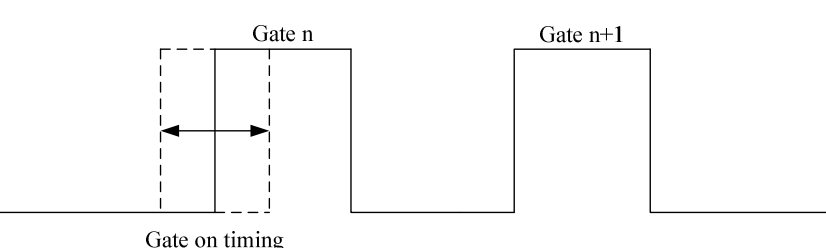
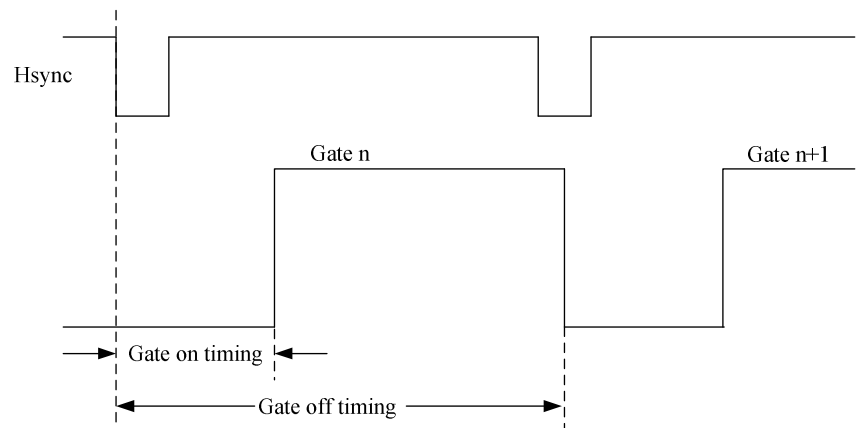
| B5H | PARCTRL (Partial Control) | | | | | | | | | | | | | | | | | | | | | | | | | | |
|---|---|--|--------------|-------|-----|----|----|--------|------|------|------|------|-------|----------|---------------------------------|-------------------|--|-----------|---|-----------|---|-----|--|-----|----------|-----|-----------------------------|
| Inst / Para | D/CX | WRX | RDX | D17-8 | D7 | D6 | D5 | D4 | D3 | D2 | D1 | D0 | HEX | | | | | | | | | | | | | | |
| PARCTRL | 0 | ↑ | 1 | - | 1 | 0 | 1 | 1 | 0 | 1 | 0 | 1 | (B5h) | | | | | | | | | | | | | | |
| Parameter | 1 | ↑ | 1 | - | NDL | 0 | 0 | PTGISC | ISC3 | ISC2 | ISC1 | ISC0 | | | | | | | | | | | | | | | |
| Description | <p>NDL: Source output level in non display area in partial mode. When NDL=0, source output level is V63. When NDL=1, source output level is V0.</p> <p>PTGISC: Non display area scan mode. When PTGISC=0, non-display area is normal scan. When PTGISC=1, non-display area is interval scan.</p> <p>ISC[3:0]: non-display area scan cycle selection.</p> <table border="1"> <thead> <tr> <th>ISC[3:0]</th> <th>Scan cycle for non-display area</th> </tr> </thead> <tbody> <tr> <td>00h</td> <td>Normal scan</td> </tr> <tr> <td>01h</td> <td>Every 3 cycles scan 1 time</td> </tr> <tr> <td>02h</td> <td>Every 5 cycles scan 1 time</td> </tr> <tr> <td>03h</td> <td>Every 7 cycles scan 1 time</td> </tr> <tr> <td style="text-align: center;">⋮</td> <td style="text-align: center;">⋮</td> </tr> <tr> <td>0Fh</td> <td>Every 31 cycles scan 1 time</td> </tr> </tbody> </table> <p>Note: If 01h to 0fh of ISC[3:0] need to be set, PTGISC have to set to 1.</p> | | | | | | | | | | | | | ISC[3:0] | Scan cycle for non-display area | 00h | Normal scan | 01h | Every 3 cycles scan 1 time | 02h | Every 5 cycles scan 1 time | 03h | Every 7 cycles scan 1 time | ⋮ | ⋮ | 0Fh | Every 31 cycles scan 1 time |
| | ISC[3:0] | Scan cycle for non-display area | | | | | | | | | | | | | | | | | | | | | | | | | |
| | 00h | Normal scan | | | | | | | | | | | | | | | | | | | | | | | | | |
| | 01h | Every 3 cycles scan 1 time | | | | | | | | | | | | | | | | | | | | | | | | | |
| | 02h | Every 5 cycles scan 1 time | | | | | | | | | | | | | | | | | | | | | | | | | |
| | 03h | Every 7 cycles scan 1 time | | | | | | | | | | | | | | | | | | | | | | | | | |
| | ⋮ | ⋮ | | | | | | | | | | | | | | | | | | | | | | | | | |
| | 0Fh | Every 31 cycles scan 1 time | | | | | | | | | | | | | | | | | | | | | | | | | |
| | Register Availability | <table border="1"> <thead> <tr> <th>Status</th> <th>Availability</th> </tr> </thead> <tbody> <tr> <td>Normal Mode On, Idle Mode Off, Sleep Out</td> <td>Yes</td> </tr> <tr> <td>Normal Mode On, Idle Mode On, Sleep Out</td> <td>Yes</td> </tr> <tr> <td>Partial Mode On, Idle Mode Off, Sleep Out</td> <td>Yes</td> </tr> <tr> <td>Partial Mode On, Idle Mode On, Sleep Out</td> <td>Yes</td> </tr> <tr> <td>Sleep In</td> <td>Yes</td> </tr> </tbody> </table> | | | | | | | | | | | | | Status | Availability | Normal Mode On, Idle Mode Off, Sleep Out | Yes | Normal Mode On, Idle Mode On, Sleep Out | Yes | Partial Mode On, Idle Mode Off, Sleep Out | Yes | Partial Mode On, Idle Mode On, Sleep Out | Yes | Sleep In | Yes | |
| | | Status | Availability | | | | | | | | | | | | | | | | | | | | | | | | |
| Normal Mode On, Idle Mode Off, Sleep Out | | Yes | | | | | | | | | | | | | | | | | | | | | | | | | |
| Normal Mode On, Idle Mode On, Sleep Out | | Yes | | | | | | | | | | | | | | | | | | | | | | | | | |
| Partial Mode On, Idle Mode Off, Sleep Out | | Yes | | | | | | | | | | | | | | | | | | | | | | | | | |
| Partial Mode On, Idle Mode On, Sleep Out | | Yes | | | | | | | | | | | | | | | | | | | | | | | | | |
| Sleep In | Yes | | | | | | | | | | | | | | | | | | | | | | | | | | |
| Default | <table border="1"> <thead> <tr> <th>Status</th> <th>Default Value</th> </tr> </thead> <tbody> <tr> <td>Power On Sequence</td> <td>00h</td> </tr> <tr> <td>S/W Reset</td> <td>00h</td> </tr> <tr> <td>H/W Reset</td> <td>00h</td> </tr> </tbody> </table> | | | | | | | | | | | | | Status | Default Value | Power On Sequence | 00h | S/W Reset | 00h | H/W Reset | 00h | | | | | | |
| | Status | Default Value | | | | | | | | | | | | | | | | | | | | | | | | | |
| | Power On Sequence | 00h | | | | | | | | | | | | | | | | | | | | | | | | | |
| | S/W Reset | 00h | | | | | | | | | | | | | | | | | | | | | | | | | |
| H/W Reset | 00h | | | | | | | | | | | | | | | | | | | | | | | | | | |

9.2.6 GCTRL (B7h): Gate Control

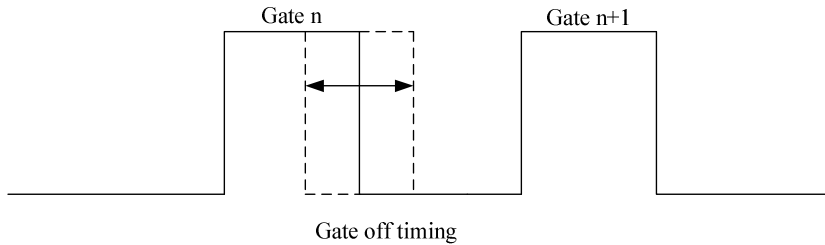
| B7H | GCTRL (Gate Control) | | | | | | | | | | | | | | | | | | | | | | | | | | | | | | |
|-----------------------|--|--------------|-----|-------|----|-------|-------|-------|----|-------|-------|-------|-------|-----------|--------------|--|-------|---|-------|---|-------|--|-------|----------|-------|-----|--------|-----|--------|-----|-------|
| Inst / Para | D/CX | WRX | RDX | D17-8 | D7 | D6 | D5 | D4 | D3 | D2 | D1 | D0 | HEX | | | | | | | | | | | | | | | | | | |
| GCTRL | 0 | ↑ | 1 | - | 1 | 0 | 1 | 1 | 0 | 1 | 1 | 1 | (B7h) | | | | | | | | | | | | | | | | | | |
| Parameter | 1 | ↑ | 1 | - | 0 | VGHS2 | VGHS1 | VGHS0 | 0 | VGLS2 | VGLS1 | VGLS0 | | | | | | | | | | | | | | | | | | | |
| Description | VGHS[2:0]: VGH Setting. | | | | | | | | | | | | | | | | | | | | | | | | | | | | | | |
| | <table border="1"> <thead> <tr> <th>VGHS[2:0]</th> <th>VGH (V)</th> </tr> </thead> <tbody> <tr><td>00h</td><td>12.2</td></tr> <tr><td>01h</td><td>12.54</td></tr> <tr><td>02h</td><td>12.89</td></tr> <tr><td>03h</td><td>13.26</td></tr> <tr><td>04h</td><td>13.65</td></tr> <tr><td>05h</td><td>14.06</td></tr> <tr><td>06h</td><td>14.5</td></tr> <tr><td>07h</td><td>14.97</td></tr> </tbody> </table> | | | | | | | | | | | | | VGHS[2:0] | VGH (V) | 00h | 12.2 | 01h | 12.54 | 02h | 12.89 | 03h | 13.26 | 04h | 13.65 | 05h | 14.06 | 06h | 14.5 | 07h | 14.97 |
| | VGHS[2:0] | VGH (V) | | | | | | | | | | | | | | | | | | | | | | | | | | | | | |
| | 00h | 12.2 | | | | | | | | | | | | | | | | | | | | | | | | | | | | | |
| | 01h | 12.54 | | | | | | | | | | | | | | | | | | | | | | | | | | | | | |
| | 02h | 12.89 | | | | | | | | | | | | | | | | | | | | | | | | | | | | | |
| | 03h | 13.26 | | | | | | | | | | | | | | | | | | | | | | | | | | | | | |
| | 04h | 13.65 | | | | | | | | | | | | | | | | | | | | | | | | | | | | | |
| | 05h | 14.06 | | | | | | | | | | | | | | | | | | | | | | | | | | | | | |
| | 06h | 14.5 | | | | | | | | | | | | | | | | | | | | | | | | | | | | | |
| | 07h | 14.97 | | | | | | | | | | | | | | | | | | | | | | | | | | | | | |
| | VGLS[2:0]: VGL Setting. | | | | | | | | | | | | | | | | | | | | | | | | | | | | | | |
| | <table border="1"> <thead> <tr> <th>VGLS[2:0]</th> <th>VGL (V)</th> </tr> </thead> <tbody> <tr><td>00h</td><td>-7.16</td></tr> <tr><td>01h</td><td>-7.67</td></tr> <tr><td>02h</td><td>-8.23</td></tr> <tr><td>03h</td><td>-8.87</td></tr> <tr><td>04h</td><td>-9.6</td></tr> <tr><td>05h</td><td>-10.43</td></tr> <tr><td>06h</td><td>-11.38</td></tr> <tr><td>07h</td><td>-12.5</td></tr> </tbody> </table> | | | | | | | | | | | | | VGLS[2:0] | VGL (V) | 00h | -7.16 | 01h | -7.67 | 02h | -8.23 | 03h | -8.87 | 04h | -9.6 | 05h | -10.43 | 06h | -11.38 | 07h | -12.5 |
| | VGLS[2:0] | VGL (V) | | | | | | | | | | | | | | | | | | | | | | | | | | | | | |
| | 00h | -7.16 | | | | | | | | | | | | | | | | | | | | | | | | | | | | | |
| | 01h | -7.67 | | | | | | | | | | | | | | | | | | | | | | | | | | | | | |
| | 02h | -8.23 | | | | | | | | | | | | | | | | | | | | | | | | | | | | | |
| | 03h | -8.87 | | | | | | | | | | | | | | | | | | | | | | | | | | | | | |
| | 04h | -9.6 | | | | | | | | | | | | | | | | | | | | | | | | | | | | | |
| | 05h | -10.43 | | | | | | | | | | | | | | | | | | | | | | | | | | | | | |
| 06h | -11.38 | | | | | | | | | | | | | | | | | | | | | | | | | | | | | | |
| 07h | -12.5 | | | | | | | | | | | | | | | | | | | | | | | | | | | | | | |
| Register Availability | <table border="1"> <thead> <tr> <th>Status</th> <th>Availability</th> </tr> </thead> <tbody> <tr> <td>Normal Mode On, Idle Mode Off, Sleep Out</td> <td>Yes</td> </tr> <tr> <td>Normal Mode On, Idle Mode On, Sleep Out</td> <td>Yes</td> </tr> <tr> <td>Partial Mode On, Idle Mode Off, Sleep Out</td> <td>Yes</td> </tr> <tr> <td>Partial Mode On, Idle Mode On, Sleep Out</td> <td>Yes</td> </tr> <tr> <td>Sleep In</td> <td>Yes</td> </tr> </tbody> </table> | | | | | | | | | | | | | Status | Availability | Normal Mode On, Idle Mode Off, Sleep Out | Yes | Normal Mode On, Idle Mode On, Sleep Out | Yes | Partial Mode On, Idle Mode Off, Sleep Out | Yes | Partial Mode On, Idle Mode On, Sleep Out | Yes | Sleep In | Yes | | | | | | |
| | Status | Availability | | | | | | | | | | | | | | | | | | | | | | | | | | | | | |
| | Normal Mode On, Idle Mode Off, Sleep Out | Yes | | | | | | | | | | | | | | | | | | | | | | | | | | | | | |
| | Normal Mode On, Idle Mode On, Sleep Out | Yes | | | | | | | | | | | | | | | | | | | | | | | | | | | | | |
| | Partial Mode On, Idle Mode Off, Sleep Out | Yes | | | | | | | | | | | | | | | | | | | | | | | | | | | | | |
| | Partial Mode On, Idle Mode On, Sleep Out | Yes | | | | | | | | | | | | | | | | | | | | | | | | | | | | | |
| Sleep In | Yes | | | | | | | | | | | | | | | | | | | | | | | | | | | | | | |

| | | |
|---------|-------------------|---------------|
| Default | Status | Default Value |
| | Power On Sequence | 35h |
| | S/W Reset | 35h |
| | H/W Reset | 35h |

9.2.7 GTADJ (B8h): Gate On Timing Adjustment

| B8H | GTADJ(Gate On Timing Adjustment) | | | | | | | | | | | | |
|---------------------------|--|-----|-----|-------|-------|-------|-------|-------|------|------|------|------|-------|
| Inst / Para | D/CX | WRX | RDX | D17-8 | D7 | D6 | D5 | D4 | D3 | D2 | D1 | D0 | HEX |
| GTADJ | 0 | ↑ | 1 | - | 1 | 0 | 1 | 1 | 1 | 0 | 0 | 0 | (B8h) |
| 1 st Parameter | 1 | ↑ | 1 | - | 0 | 0 | 1 | 0 | 1 | 0 | 1 | 0 | 2Ah |
| 2 nd Parameter | 1 | ↑ | 1 | - | 0 | 0 | 1 | 0 | 1 | 0 | 1 | 1 | 2Bh |
| 3 rd Parameter | 1 | ↑ | 1 | - | 0 | 0 | GTA5 | GTA4 | GTA3 | GTA2 | GTA1 | GTA0 | |
| 4 th Parameter | 1 | ↑ | 1 | - | GOFR3 | GOFR2 | GOFR1 | GOFR0 | GOF3 | GOF2 | GOF1 | GOF0 | |
| Description |  <p>Gate on timing</p> <p>GTA[5:0]: Gate on timing adjustment. Gate on timing=300ns+GTA[5:0]*400ns In RGB interface:</p>  <p>In 18bit RGB interface: Gate on timing=7dotclk+GTA[5:0]*4dotclk In 6bit RGB interface: Gate on timing=7*3dotclk+GTA[5:0]*4*3dotclk GOFR[3:0]: Gate off timing adjustment only for RGB interface In 18bit RGB interface: Gate off timing=516.5dotclk-16dotclk*GOFR[3:0] In 6bit RGB interface: Gate off timing=512*3dotclk-16dotclk*3*GOFR[3:0]</p> <p>Note:</p> | | | | | | | | | | | | |
| | | | | | | | | | | | | | |

In rgb interface, if the setting of gate off timing is more than the number of dotclk in one line, the gate off timing is determined by hsync.



GOF[3:0]: Gate off timing adjustment

Gate off timing= $-GOF[3:0] \times 400ns$

Register Availability

| Status | Availability |
|---|--------------|
| Normal Mode On, Idle Mode Off, Sleep Out | Yes |
| Normal Mode On, Idle Mode On, Sleep Out | Yes |
| Partial Mode On, Idle Mode Off, Sleep Out | Yes |
| Partial Mode On, Idle Mode On, Sleep Out | Yes |
| Sleep In | Yes |

Default

| Status | Default Value |
|-------------------|-----------------|
| Power On Sequence | 2Ah/2Bh/22h/75h |
| S/W Reset | 2Ah/2Bh/22h/75h |
| H/W Reset | 2Ah/2Bh/22h/75h |

9.2.8 DGMEN (BAh): Digital Gamma Enable

| BAH | DGMEN (Digital Gamma Enable) | | | | | | | | | | | | | | | | | | | | | | | | |
|---|--|-----|-----|-------|----|----|----|----|----|-------|----|----|-------|--------|---------------|--|-----|---|-----|---|-----|--|-----|----------|-----|
| Inst / Para | D/CX | WRX | RDX | D17-8 | D7 | D6 | D5 | D4 | D3 | D2 | D1 | D0 | HEX | | | | | | | | | | | | |
| DGMEN | 0 | ↑ | 1 | - | 1 | 0 | 1 | 1 | 1 | 0 | 1 | 0 | (BAh) | | | | | | | | | | | | |
| Parameter | 1 | ↑ | 1 | - | 0 | 0 | 0 | 0 | 0 | DGMEN | 0 | 0 | | | | | | | | | | | | | |
| Description | <p>DGMEN: "0": disable digital gamma. "1": enable digital gamma.</p> | | | | | | | | | | | | | | | | | | | | | | | | |
| Register Availability | <table border="1"> <thead> <tr> <th>Status</th> <th>Availability</th> </tr> </thead> <tbody> <tr> <td>Normal Mode On, Idle Mode Off, Sleep Out</td> <td>Yes</td> </tr> <tr> <td>Normal Mode On, Idle Mode On, Sleep Out</td> <td>Yes</td> </tr> <tr> <td>Partial Mode On, Idle Mode Off, Sleep Out</td> <td>Yes</td> </tr> <tr> <td>Partial Mode On, Idle Mode On, Sleep Out</td> <td>Yes</td> </tr> <tr> <td>Sleep In</td> <td>Yes</td> </tr> </tbody> </table> | | | | | | | | | | | | | Status | Availability | Normal Mode On, Idle Mode Off, Sleep Out | Yes | Normal Mode On, Idle Mode On, Sleep Out | Yes | Partial Mode On, Idle Mode Off, Sleep Out | Yes | Partial Mode On, Idle Mode On, Sleep Out | Yes | Sleep In | Yes |
| Status | Availability | | | | | | | | | | | | | | | | | | | | | | | | |
| Normal Mode On, Idle Mode Off, Sleep Out | Yes | | | | | | | | | | | | | | | | | | | | | | | | |
| Normal Mode On, Idle Mode On, Sleep Out | Yes | | | | | | | | | | | | | | | | | | | | | | | | |
| Partial Mode On, Idle Mode Off, Sleep Out | Yes | | | | | | | | | | | | | | | | | | | | | | | | |
| Partial Mode On, Idle Mode On, Sleep Out | Yes | | | | | | | | | | | | | | | | | | | | | | | | |
| Sleep In | Yes | | | | | | | | | | | | | | | | | | | | | | | | |
| Default | <table border="1"> <thead> <tr> <th>Status</th> <th>Default Value</th> </tr> </thead> <tbody> <tr> <td>Power On Sequence</td> <td>00h</td> </tr> <tr> <td>S/W Reset</td> <td>00h</td> </tr> <tr> <td>H/W Reset</td> <td>00h</td> </tr> </tbody> </table> | | | | | | | | | | | | | Status | Default Value | Power On Sequence | 00h | S/W Reset | 00h | H/W Reset | 00h | | | | |
| Status | Default Value | | | | | | | | | | | | | | | | | | | | | | | | |
| Power On Sequence | 00h | | | | | | | | | | | | | | | | | | | | | | | | |
| S/W Reset | 00h | | | | | | | | | | | | | | | | | | | | | | | | |
| H/W Reset | 00h | | | | | | | | | | | | | | | | | | | | | | | | |

9.2.9 VCOMS (BBh): VCOM Setting

| BBH | VCOMS (VCOM Setting) | | | | | | | | | | | | | |
|-------------|----------------------|-----|------------|----------|----|-----|------------|----------|-------|-------|-------|-------|-------|--|
| Inst / Para | D/CX | WRX | RDX | D17-8 | D7 | D6 | D5 | D4 | D3 | D2 | D1 | D0 | HEX | |
| VCOMS | 0 | ↑ | 1 | - | 1 | 0 | 1 | 1 | 1 | 0 | 1 | 1 | (BBh) | |
| Parameter | 1 | ↑ | 1 | - | 0 | 0 | VCOM5 | VCOM4 | VCOM3 | VCOM2 | VCOM1 | VCOM0 | | |
| Description | VCOMS[5:0]: | | | | | | | | | | | | | |
| | | | VCOMS[5:0] | VCOM (V) | | | VCOMS[5:0] | VCOM (V) | | | | | | |
| | | | 00h | 0.1 | | | 20h | 0.9 | | | | | | |
| | | | 01h | 0.125 | | | 21h | 0.925 | | | | | | |
| | | | 02h | 0.15 | | | 22h | 0.95 | | | | | | |
| | | | 03h | 0.175 | | | 23h | 0.975 | | | | | | |
| | | | 04h | 0.2 | | | 24h | 1.0 | | | | | | |
| | | | 05h | 0.225 | | | 25h | 1.025 | | | | | | |
| | | | 06h | 0.25 | | | 26h | 1.05 | | | | | | |
| | | | 07h | 0.275 | | | 27h | 1.075 | | | | | | |
| | | | 08h | 0.3 | | | 28h | 1.1 | | | | | | |
| | | | 09h | 0.325 | | | 29h | 1.125 | | | | | | |
| | | | 0Ah | 0.35 | | | 2Ah | 1.15 | | | | | | |
| | | | 0Bh | 0.375 | | | 2Bh | 1.175 | | | | | | |
| | | | 0Ch | 0.4 | | | 2Ch | 1.2 | | | | | | |
| | | | 0Dh | 0.425 | | | 2Dh | 1.225 | | | | | | |
| | | | 0Eh | 0.45 | | | 2Eh | 1.25 | | | | | | |
| | | | 0Fh | 0.475 | | | 2Fh | 1.275 | | | | | | |
| | | | 10h | 0.5 | | | 30h | 1.3 | | | | | | |
| | | | 11h | 0.525 | | | 31h | 1.325 | | | | | | |
| | | | 12h | 0.55 | | | 32h | 1.35 | | | | | | |
| | | | 13h | 0.575 | | | 33h | 1.375 | | | | | | |
| | | | 14h | 0.6 | | | 34h | 1.4 | | | | | | |
| | | | 15h | 0.625 | | | 35h | 1.425 | | | | | | |
| | | | 16h | 0.65 | | | 36h | 1.45 | | | | | | |
| | | | 17h | 0.675 | | | 37h | 1.475 | | | | | | |
| | | 18h | 0.7 | | | 38h | 1.5 | | | | | | | |
| | | 19h | 0.725 | | | 39h | 1.525 | | | | | | | |
| | | 1Ah | 0.75 | | | 3Ah | 1.55 | | | | | | | |
| | | 1Bh | 0.775 | | | 3Bh | 1.575 | | | | | | | |
| | | 1Ch | 0.8 | | | 3Ch | 1.6 | | | | | | | |

| | <table border="1"> <tr> <td>1Dh</td> <td>0.825</td> <td>3Dh</td> <td>1.625</td> </tr> <tr> <td>1Eh</td> <td>0.85</td> <td>3Eh</td> <td>1.65</td> </tr> <tr> <td>1Fh</td> <td>0.875</td> <td>3Fh</td> <td>1.675</td> </tr> </table> | 1Dh | 0.825 | 3Dh | 1.625 | 1Eh | 0.85 | 3Eh | 1.65 | 1Fh | 0.875 | 3Fh | 1.675 |
|---|--|--------|---------------|--|-------|---|------|---|------|--|-------|----------|-------|
| 1Dh | 0.825 | 3Dh | 1.625 | | | | | | | | | | |
| 1Eh | 0.85 | 3Eh | 1.65 | | | | | | | | | | |
| 1Fh | 0.875 | 3Fh | 1.675 | | | | | | | | | | |
| Register Availability | <table border="1"> <thead> <tr> <th>Status</th> <th>Availability</th> </tr> </thead> <tbody> <tr> <td>Normal Mode On, Idle Mode Off, Sleep Out</td> <td>Yes</td> </tr> <tr> <td>Normal Mode On, Idle Mode On, Sleep Out</td> <td>Yes</td> </tr> <tr> <td>Partial Mode On, Idle Mode Off, Sleep Out</td> <td>Yes</td> </tr> <tr> <td>Partial Mode On, Idle Mode On, Sleep Out</td> <td>Yes</td> </tr> <tr> <td>Sleep In</td> <td>Yes</td> </tr> </tbody> </table> | Status | Availability | Normal Mode On, Idle Mode Off, Sleep Out | Yes | Normal Mode On, Idle Mode On, Sleep Out | Yes | Partial Mode On, Idle Mode Off, Sleep Out | Yes | Partial Mode On, Idle Mode On, Sleep Out | Yes | Sleep In | Yes |
| Status | Availability | | | | | | | | | | | | |
| Normal Mode On, Idle Mode Off, Sleep Out | Yes | | | | | | | | | | | | |
| Normal Mode On, Idle Mode On, Sleep Out | Yes | | | | | | | | | | | | |
| Partial Mode On, Idle Mode Off, Sleep Out | Yes | | | | | | | | | | | | |
| Partial Mode On, Idle Mode On, Sleep Out | Yes | | | | | | | | | | | | |
| Sleep In | Yes | | | | | | | | | | | | |
| Default | <table border="1"> <thead> <tr> <th>Status</th> <th>Default Value</th> </tr> </thead> <tbody> <tr> <td>Power On Sequence</td> <td>20h</td> </tr> <tr> <td>S/W Reset</td> <td>20h</td> </tr> <tr> <td>H/W Reset</td> <td>20h</td> </tr> </tbody> </table> | Status | Default Value | Power On Sequence | 20h | S/W Reset | 20h | H/W Reset | 20h | | | | |
| Status | Default Value | | | | | | | | | | | | |
| Power On Sequence | 20h | | | | | | | | | | | | |
| S/W Reset | 20h | | | | | | | | | | | | |
| H/W Reset | 20h | | | | | | | | | | | | |

9.2.10 POWSAVE(BCh): Power Saving Mode

| BCH | POWSAVE (Power Saving Mode) | | | | | | | | | | | | | | | | | | | | | | | | |
|---|--|-----|-----|-------|----|----|----|----|----|----|----|----|-------|--------|---------------|--|-----|---|-----|---|-----|--|-----|----------|-----|
| Inst / Para | D/CX | WRX | RDX | D17-8 | D7 | D6 | D5 | D4 | D3 | D2 | D1 | D0 | HEX | | | | | | | | | | | | |
| POWSAVE | 0 | ↑ | 1 | - | 1 | 0 | 1 | 1 | 1 | 1 | 0 | 0 | (BCh) | | | | | | | | | | | | |
| Parameter | 1 | ↑ | 1 | - | 1 | 1 | 1 | 0 | 1 | 1 | NS | IS | | | | | | | | | | | | | |
| Description | <p>NS: Power save for normal mode. When NS=0, power consumption in normal mode will be saved.</p> <p>IS: Power save for Idle mode. When IS=0, power consumption in idle mode will be saved.</p> | | | | | | | | | | | | | | | | | | | | | | | | |
| Register Availability | <table border="1"> <thead> <tr> <th>Status</th> <th>Availability</th> </tr> </thead> <tbody> <tr> <td>Normal Mode On, Idle Mode Off, Sleep Out</td> <td>Yes</td> </tr> <tr> <td>Normal Mode On, Idle Mode On, Sleep Out</td> <td>Yes</td> </tr> <tr> <td>Partial Mode On, Idle Mode Off, Sleep Out</td> <td>Yes</td> </tr> <tr> <td>Partial Mode On, Idle Mode On, Sleep Out</td> <td>Yes</td> </tr> <tr> <td>Sleep In</td> <td>Yes</td> </tr> </tbody> </table> | | | | | | | | | | | | | Status | Availability | Normal Mode On, Idle Mode Off, Sleep Out | Yes | Normal Mode On, Idle Mode On, Sleep Out | Yes | Partial Mode On, Idle Mode Off, Sleep Out | Yes | Partial Mode On, Idle Mode On, Sleep Out | Yes | Sleep In | Yes |
| Status | Availability | | | | | | | | | | | | | | | | | | | | | | | | |
| Normal Mode On, Idle Mode Off, Sleep Out | Yes | | | | | | | | | | | | | | | | | | | | | | | | |
| Normal Mode On, Idle Mode On, Sleep Out | Yes | | | | | | | | | | | | | | | | | | | | | | | | |
| Partial Mode On, Idle Mode Off, Sleep Out | Yes | | | | | | | | | | | | | | | | | | | | | | | | |
| Partial Mode On, Idle Mode On, Sleep Out | Yes | | | | | | | | | | | | | | | | | | | | | | | | |
| Sleep In | Yes | | | | | | | | | | | | | | | | | | | | | | | | |
| Default | <table border="1"> <thead> <tr> <th>Status</th> <th>Default Value</th> </tr> </thead> <tbody> <tr> <td>Power On Sequence</td> <td>FFh</td> </tr> <tr> <td>S/W Reset</td> <td>FFh</td> </tr> <tr> <td>H/W Reset</td> <td>FFh</td> </tr> </tbody> </table> | | | | | | | | | | | | | Status | Default Value | Power On Sequence | FFh | S/W Reset | FFh | H/W Reset | FFh | | | | |
| Status | Default Value | | | | | | | | | | | | | | | | | | | | | | | | |
| Power On Sequence | FFh | | | | | | | | | | | | | | | | | | | | | | | | |
| S/W Reset | FFh | | | | | | | | | | | | | | | | | | | | | | | | |
| H/W Reset | FFh | | | | | | | | | | | | | | | | | | | | | | | | |

9.2.11 DLPOFFSAVE (BDh): Display off power save

| BDH | DLPOFFSAVE (Display off power save) | | | | | | | | | | | | | | | | | | | | | | | | |
|---|--|-----|-----|-------|----|----|----|----|----|----|----|----------|-------|--------|---------------|--|-----|---|-----|---|-----|--|-----|----------|-----|
| Inst / Para | D/CX | WRX | RDX | D17-8 | D7 | D6 | D5 | D4 | D3 | D2 | D1 | D0 | HEX | | | | | | | | | | | | |
| DLPOFFSAVE | 0 | ↑ | 1 | - | 1 | 0 | 1 | 1 | 1 | 1 | 0 | 1 | (BDh) | | | | | | | | | | | | |
| Parameter | 1 | ↑ | 1 | - | 1 | 1 | 1 | 1 | 1 | 1 | 1 | DOFFSAVE | | | | | | | | | | | | | |
| Description | <p>DOFFSAVE: Power save for display off mode. When DOFFSAVE=0, power consumption in display off mode will be saved.</p> | | | | | | | | | | | | | | | | | | | | | | | | |
| Register Availability | <table border="1"> <thead> <tr> <th>Status</th> <th>Availability</th> </tr> </thead> <tbody> <tr> <td>Normal Mode On, Idle Mode Off, Sleep Out</td> <td>Yes</td> </tr> <tr> <td>Normal Mode On, Idle Mode On, Sleep Out</td> <td>Yes</td> </tr> <tr> <td>Partial Mode On, Idle Mode Off, Sleep Out</td> <td>Yes</td> </tr> <tr> <td>Partial Mode On, Idle Mode On, Sleep Out</td> <td>Yes</td> </tr> <tr> <td>Sleep In</td> <td>Yes</td> </tr> </tbody> </table> | | | | | | | | | | | | | Status | Availability | Normal Mode On, Idle Mode Off, Sleep Out | Yes | Normal Mode On, Idle Mode On, Sleep Out | Yes | Partial Mode On, Idle Mode Off, Sleep Out | Yes | Partial Mode On, Idle Mode On, Sleep Out | Yes | Sleep In | Yes |
| Status | Availability | | | | | | | | | | | | | | | | | | | | | | | | |
| Normal Mode On, Idle Mode Off, Sleep Out | Yes | | | | | | | | | | | | | | | | | | | | | | | | |
| Normal Mode On, Idle Mode On, Sleep Out | Yes | | | | | | | | | | | | | | | | | | | | | | | | |
| Partial Mode On, Idle Mode Off, Sleep Out | Yes | | | | | | | | | | | | | | | | | | | | | | | | |
| Partial Mode On, Idle Mode On, Sleep Out | Yes | | | | | | | | | | | | | | | | | | | | | | | | |
| Sleep In | Yes | | | | | | | | | | | | | | | | | | | | | | | | |
| Default | <table border="1"> <thead> <tr> <th>Status</th> <th>Default Value</th> </tr> </thead> <tbody> <tr> <td>Power On Sequence</td> <td>FFh</td> </tr> <tr> <td>S/W Reset</td> <td>FFh</td> </tr> <tr> <td>H/W Reset</td> <td>FFh</td> </tr> </tbody> </table> | | | | | | | | | | | | | Status | Default Value | Power On Sequence | FFh | S/W Reset | FFh | H/W Reset | FFh | | | | |
| Status | Default Value | | | | | | | | | | | | | | | | | | | | | | | | |
| Power On Sequence | FFh | | | | | | | | | | | | | | | | | | | | | | | | |
| S/W Reset | FFh | | | | | | | | | | | | | | | | | | | | | | | | |
| H/W Reset | FFh | | | | | | | | | | | | | | | | | | | | | | | | |

9.2.12 LCMCTRL (C0h): LCM Control

| C0H | LCMCTRL (LCM Control) | | | | | | | | | | | | | | | | | | | | | | | | |
|---|--|-----|-----|-------|----|-----|------|------|-----|-----|-----|-----|-------|--------|---------------|--|-----|---|-----|---|-----|--|-----|----------|-----|
| Inst / Para | D/CX | WRX | RDX | D17-8 | D7 | D6 | D5 | D4 | D3 | D2 | D1 | D0 | HEX | | | | | | | | | | | | |
| LCMCTRL | 0 | ↑ | 1 | - | 1 | 1 | 0 | 0 | 0 | 0 | 0 | 0 | (C0h) | | | | | | | | | | | | |
| 1 st parameter | 1 | ↑ | 1 | - | 0 | XYM | XBGR | XINV | XXM | XXM | XXM | XGS | | | | | | | | | | | | | |
| Description | <p>XYM: XOR MY setting in command 36h. XBGR: XOR RGB setting in command 36h. XREV: XOR inverse setting in command 21h XXM: this bit can reverse source output order and only support for RGB interface without RAM mode XXM: XOR MV setting in command 36h XXM: XOR MX setting in command 36h. XGS: XOR GS setting in command E4h.</p> | | | | | | | | | | | | | | | | | | | | | | | | |
| Register Availability | <table border="1"> <thead> <tr> <th>Status</th> <th>Availability</th> </tr> </thead> <tbody> <tr> <td>Normal Mode On, Idle Mode Off, Sleep Out</td> <td>Yes</td> </tr> <tr> <td>Normal Mode On, Idle Mode On, Sleep Out</td> <td>Yes</td> </tr> <tr> <td>Partial Mode On, Idle Mode Off, Sleep Out</td> <td>Yes</td> </tr> <tr> <td>Partial Mode On, Idle Mode On, Sleep Out</td> <td>Yes</td> </tr> <tr> <td>Sleep In</td> <td>Yes</td> </tr> </tbody> </table> | | | | | | | | | | | | | Status | Availability | Normal Mode On, Idle Mode Off, Sleep Out | Yes | Normal Mode On, Idle Mode On, Sleep Out | Yes | Partial Mode On, Idle Mode Off, Sleep Out | Yes | Partial Mode On, Idle Mode On, Sleep Out | Yes | Sleep In | Yes |
| Status | Availability | | | | | | | | | | | | | | | | | | | | | | | | |
| Normal Mode On, Idle Mode Off, Sleep Out | Yes | | | | | | | | | | | | | | | | | | | | | | | | |
| Normal Mode On, Idle Mode On, Sleep Out | Yes | | | | | | | | | | | | | | | | | | | | | | | | |
| Partial Mode On, Idle Mode Off, Sleep Out | Yes | | | | | | | | | | | | | | | | | | | | | | | | |
| Partial Mode On, Idle Mode On, Sleep Out | Yes | | | | | | | | | | | | | | | | | | | | | | | | |
| Sleep In | Yes | | | | | | | | | | | | | | | | | | | | | | | | |
| Default | <table border="1"> <thead> <tr> <th>Status</th> <th>Default Value</th> </tr> </thead> <tbody> <tr> <td>Power On Sequence</td> <td>2Ch</td> </tr> <tr> <td>S/W Reset</td> <td>2Ch</td> </tr> <tr> <td>H/W Reset</td> <td>2Ch</td> </tr> </tbody> </table> | | | | | | | | | | | | | Status | Default Value | Power On Sequence | 2Ch | S/W Reset | 2Ch | H/W Reset | 2Ch | | | | |
| Status | Default Value | | | | | | | | | | | | | | | | | | | | | | | | |
| Power On Sequence | 2Ch | | | | | | | | | | | | | | | | | | | | | | | | |
| S/W Reset | 2Ch | | | | | | | | | | | | | | | | | | | | | | | | |
| H/W Reset | 2Ch | | | | | | | | | | | | | | | | | | | | | | | | |

9.2.13 IDSET (C1h): ID Code Setting

| C1H | IDSET (ID Code Setting) | | | | | | | | | | | | |
|---------------------------|---|-----|-----|-------|------|------|---------------|------|------|------|------|------|-------|
| Inst / Para | D/CX | WRX | RDX | D17-8 | D7 | D6 | D5 | D4 | D3 | D2 | D1 | D0 | HEX |
| IDSET | 0 | ↑ | 1 | - | 1 | 1 | 0 | 0 | 0 | 0 | 0 | 1 | (C1h) |
| Parameter 1 st | 1 | ↑ | 1 | - | ID17 | ID16 | ID15 | ID14 | ID13 | ID12 | ID11 | ID10 | |
| Parameter 2 nd | 1 | ↑ | 1 | - | ID27 | ID26 | ID25 | ID24 | ID23 | ID22 | ID21 | ID20 | |
| Parameter 3 rd | 1 | ↑ | 1 | - | ID37 | ID36 | ID35 | ID34 | ID33 | ID32 | ID31 | ID30 | |
| Description | ID1[7:0]: ID1 Setting. ID2[7:0]: ID2 Setting. ID3[7:0]: ID3 Setting. | | | | | | | | | | | | |
| Register Availability | Status | | | | | | Availability | | | | | | |
| | Normal Mode On, Idle Mode Off, Sleep Out | | | | | | Yes | | | | | | |
| | Normal Mode On, Idle Mode On, Sleep Out | | | | | | Yes | | | | | | |
| | Partial Mode On, Idle Mode Off, Sleep Out | | | | | | Yes | | | | | | |
| | Partial Mode On, Idle Mode On, Sleep Out | | | | | | Yes | | | | | | |
| | Sleep In | | | | | | Yes | | | | | | |
| Default | Status | | | | | | Default Value | | | | | | |
| | Power On Sequence | | | | | | 85h/85h/52h | | | | | | |
| | S/W Reset | | | | | | 85h/85h/52h | | | | | | |
| | H/W Reset | | | | | | 85h/85h/52h | | | | | | |

9.2.14 VDVVRHEN (C2h): VDV and VRH Command Enable

| C2H | VDVVRHEN (VDV and VRH Command Enable) | | | | | | | | | | | | | | | | | | | | | | | | |
|---|--|-----|-----|-------|----|----|----|----|----|----|----|-------|-------|--------|---------------|--|---------|---|---------|---|---------|--|-----|----------|-----|
| Inst / Para | D/CX | WRX | RDX | D17-8 | D7 | D6 | D5 | D4 | D3 | D2 | D1 | D0 | HEX | | | | | | | | | | | | |
| VDVVRHEN | 0 | ↑ | 1 | - | 1 | 1 | 0 | 0 | 0 | 0 | 1 | 0 | (C2h) | | | | | | | | | | | | |
| 1 st Parameter | 1 | ↑ | 1 | - | 0 | 0 | 0 | 0 | 0 | 0 | 0 | CMDEN | | | | | | | | | | | | | |
| 2 nd Parameter | 1 | ↑ | 1 | - | 1 | 1 | 1 | 1 | 1 | 1 | 1 | 1 | | | | | | | | | | | | | |
| Description | <p>CMDEN: VDV and VRH command write enable.</p> <p>CMDEN="0": VDV and VRH register value comes from NVM.</p> <p>CMDEN="1", VDV and VRH register value comes from command write.</p> | | | | | | | | | | | | | | | | | | | | | | | | |
| Register Availability | <table border="1"> <thead> <tr> <th>Status</th> <th>Availability</th> </tr> </thead> <tbody> <tr> <td>Normal Mode On, Idle Mode Off, Sleep Out</td> <td>Yes</td> </tr> <tr> <td>Normal Mode On, Idle Mode On, Sleep Out</td> <td>Yes</td> </tr> <tr> <td>Partial Mode On, Idle Mode Off, Sleep Out</td> <td>Yes</td> </tr> <tr> <td>Partial Mode On, Idle Mode On, Sleep Out</td> <td>Yes</td> </tr> <tr> <td>Sleep In</td> <td>Yes</td> </tr> </tbody> </table> | | | | | | | | | | | | | Status | Availability | Normal Mode On, Idle Mode Off, Sleep Out | Yes | Normal Mode On, Idle Mode On, Sleep Out | Yes | Partial Mode On, Idle Mode Off, Sleep Out | Yes | Partial Mode On, Idle Mode On, Sleep Out | Yes | Sleep In | Yes |
| Status | Availability | | | | | | | | | | | | | | | | | | | | | | | | |
| Normal Mode On, Idle Mode Off, Sleep Out | Yes | | | | | | | | | | | | | | | | | | | | | | | | |
| Normal Mode On, Idle Mode On, Sleep Out | Yes | | | | | | | | | | | | | | | | | | | | | | | | |
| Partial Mode On, Idle Mode Off, Sleep Out | Yes | | | | | | | | | | | | | | | | | | | | | | | | |
| Partial Mode On, Idle Mode On, Sleep Out | Yes | | | | | | | | | | | | | | | | | | | | | | | | |
| Sleep In | Yes | | | | | | | | | | | | | | | | | | | | | | | | |
| Default | <table border="1"> <thead> <tr> <th>Status</th> <th>Default Value</th> </tr> </thead> <tbody> <tr> <td>Power On Sequence</td> <td>01h/FFh</td> </tr> <tr> <td>S/W Reset</td> <td>01h/FFh</td> </tr> <tr> <td>H/W Reset</td> <td>01h/FFh</td> </tr> </tbody> </table> | | | | | | | | | | | | | Status | Default Value | Power On Sequence | 01h/FFh | S/W Reset | 01h/FFh | H/W Reset | 01h/FFh | | | | |
| Status | Default Value | | | | | | | | | | | | | | | | | | | | | | | | |
| Power On Sequence | 01h/FFh | | | | | | | | | | | | | | | | | | | | | | | | |
| S/W Reset | 01h/FFh | | | | | | | | | | | | | | | | | | | | | | | | |
| H/W Reset | 01h/FFh | | | | | | | | | | | | | | | | | | | | | | | | |

9.2.15 VRHS (C3h): VRH Set

| C3H | VRHS (VRH Set) | | | | | | | | | | | | |
|---------------------------|-------------------------------|-------------------------------|-----|-------|----|-----|-------------------------------|-------------------------------|-------|-------|-------|-------|-------|
| Inst / Para | D/CX | WRX | RDX | D17-8 | D7 | D6 | D5 | D4 | D3 | D2 | D1 | D0 | HEX |
| VRHS | 0 | ↑ | 1 | - | 1 | 1 | 0 | 0 | 0 | 0 | 1 | 1 | (C3h) |
| 1 st Parameter | 1 | ↑ | 1 | - | 0 | 0 | VRHS5 | VRHS4 | VRHS3 | VRHS2 | VRHS1 | VRHS0 | |
| Description | VRHS[5:0]: VRH Set. | | | | | | | | | | | | |
| | VRHS[5:0] | VAP(GVDD) (V) | | | | | VRHS[5:0] | VAP(GVDD) (V) | | | | | |
| | 00h | 3.55+(vcom+vcom offset+vdv) | | | | | 15h | 4.6+(vcom+vcom offset+vdv) | | | | | |
| | 01h | 3.6+(vcom+vcom offset+vdv) | | | | | 16h | 4.65+(vcom+vcom offset+vdv) | | | | | |
| | 02h | 3.65+(vcom+vcom offset+vdv) | | | | | 17h | 4.7+(vcom+vcom offset+vdv) | | | | | |
| | 03h | 3.7+(vcom+vcom offset+vdv) | | | | | 18h | 4.75+(vcom+vcom offset+vdv) | | | | | |
| | 04h | 3.75+(vcom+vcom offset+vdv) | | | | | 19h | 4.8+(vcom+vcom offset+vdv) | | | | | |
| | 05h | 3.8+(vcom+vcom offset+vdv) | | | | | 1Ah | 4.85+(vcom+vcom offset+vdv) | | | | | |
| | 06h | 3.85+(vcom+vcom offset+vdv) | | | | | 1Bh | 4.9+(vcom+vcom offset+vdv) | | | | | |
| | 07h | 3.9+(vcom+vcom offset+vdv) | | | | | 1Ch | 4.95+(vcom+vcom offset+vdv) | | | | | |
| | 08h | 3.95+(vcom+vcom offset+vdv) | | | | | 1Dh | 5+(vcom+vcom offset+vdv) | | | | | |
| | 09h | 4+(vcom+vcom offset+vdv) | | | | | 1Eh | 5.05+(vcom+vcom offset+vdv) | | | | | |
| | 0Ah | 4.05+(vcom+vcom offset+vdv) | | | | | 1Fh | 5.1+(vcom+vcom offset+vdv) | | | | | |
| | 0Bh | 4.1+(vcom+vcom offset+vdv) | | | | | 20h | 5.15+(vcom+vcom offset+vdv) | | | | | |
| | 0Ch | 4.15+(vcom+vcom offset+vdv) | | | | | 21h | 5.2+(vcom+vcom offset+vdv) | | | | | |
| | 0Dh | 4.2+(vcom+vcom offset+vdv) | | | | | 22h | 5.25+(vcom+vcom offset+vdv) | | | | | |
| | 0Eh | 4.25+(vcom+vcom offset+vdv) | | | | | 23h | 5.3+(vcom+vcom offset+vdv) | | | | | |
| | 0Fh | 4.3+(vcom+vcom offset+vdv) | | | | | 24h | 5.35+(vcom+vcom offset+vdv) | | | | | |
| | 10h | 4.35+(vcom+vcom offset+vdv) | | | | | 25h | 5.4+(vcom+vcom offset+vdv) | | | | | |
| | 11h | 4.4+(vcom+vcom offset+vdv) | | | | | 26h | 5.45+(vcom+vcom offset+vdv) | | | | | |
| | 12h | 4.45+(vcom+vcom offset+vdv) | | | | | 27h | 5.5+(vcom+vcom offset+vdv) | | | | | |
| | 13h | 4.5+(vcom+vcom offset+vdv) | | | | | 28h~3Fh | Reserved | | | | | |
| | 14h | 4.55+(vcom+vcom offset+vdv) | | | | | -- | -- | | | | | |
| | VRHS[5:0] | VAN(GVCL) (V) | | | | | VRHS[5:0] | VAN(GVCL) (V) | | | | | |
| | 00h | -3.55+(vcom+vcom offset-vdv) | | | | | 15h | -4.6+(vcom+vcom offset-vdv) | | | | | |
| | 01h | -3.6+(vcom+vcom offset-vdv) | | | | | 16h | -4.65+(vcom+vcom offset-vdv) | | | | | |
| | 02h | -3.65+(vcom+vcom offset-vdv) | | | | | 17h | -4.7+(vcom+vcom offset-vdv) | | | | | |
| | 03h | -3.7+(vcom+vcom offset-vdv) | | | | | 18h | -4.75+(vcom+vcom offset-vdv) | | | | | |
| 04h | -3.75+(vcom+vcom offset-vdv) | | | | | 19h | -4.8+(vcom+vcom offset-vdv) | | | | | | |
| 05h | -3.8+(vcom+vcom offset-vdv) | | | | | 1Ah | -4.85+(vcom+vcom offset-vdv) | | | | | | |

| | | | |
|-----|-------------------------------|---------|-------------------------------|
| 06h | -3.85+(vcom+vcom offset-vdv) | 1Bh | -4.9+(vcom+vcom offset-vdv) |
| 07h | -3.9+(vcom+vcom offset-vdv) | 1Ch | -4.95+(vcom+vcom offset-vdv) |
| 08h | -3.95+(vcom+vcom offset-vdv) | 1Dh | -5+(vcom+vcom offset-vdv) |
| 09h | -4+(vcom+vcom offset-vdv) | 1Eh | -5.05+(vcom+vcom offset-vdv) |
| 0Ah | -4.05+(vcom+vcom offset-vdv) | 1Fh | -5.1+(vcom+vcom offset-vdv) |
| 0Bh | -4.1+(vcom+vcom offset-vdv) | 20h | -5.15+(vcom+vcom offset-vdv) |
| 0Ch | -4.15+(vcom+vcom offset-vdv) | 21h | -5.2+(vcom+vcom offset-vdv) |
| 0Dh | -4.2+(vcom+vcom offset-vdv) | 22h | -5.25+(vcom+vcom offset-vdv) |
| 0Eh | -4.25+(vcom+vcom offset-vdv) | 23h | -5.3+(vcom+vcom offset-vdv) |
| 0Fh | -4.3+(vcom+vcom offset-vdv) | 24h | -5.35+(vcom+vcom offset-vdv) |
| 10h | -4.35+(vcom+vcom offset-vdv) | 25h | -5.4+(vcom+vcom offset-vdv) |
| 11h | -4.4+(vcom+vcom offset-vdv) | 26h | -5.45+(vcom+vcom offset-vdv) |
| 12h | -4.45+(vcom+vcom offset-vdv) | 27h | -5.5+(vcom+vcom offset-vdv) |
| 13h | -4.5+(vcom+vcom offset-vdv) | 28h~3Fh | Reserved |
| 14h | -4.55+(vcom+vcom offset-vdv) | -- | -- |

| Register Availability | <table border="1"> <thead> <tr> <th>Status</th> <th>Availability</th> </tr> </thead> <tbody> <tr> <td>Normal Mode On, Idle Mode Off, Sleep Out</td> <td>Yes</td> </tr> <tr> <td>Normal Mode On, Idle Mode On, Sleep Out</td> <td>Yes</td> </tr> <tr> <td>Partial Mode On, Idle Mode Off, Sleep Out</td> <td>Yes</td> </tr> <tr> <td>Partial Mode On, Idle Mode On, Sleep Out</td> <td>Yes</td> </tr> <tr> <td>Sleep In</td> <td>Yes</td> </tr> </tbody> </table> | | Status | Availability | Normal Mode On, Idle Mode Off, Sleep Out | Yes | Normal Mode On, Idle Mode On, Sleep Out | Yes | Partial Mode On, Idle Mode Off, Sleep Out | Yes | Partial Mode On, Idle Mode On, Sleep Out | Yes | Sleep In | Yes |
|-----------------------|--|--------------|--------|--------------|--|-----|---|-----|---|-----|--|-----|----------|-----|
| | Status | Availability | | | | | | | | | | | | |
| | Normal Mode On, Idle Mode Off, Sleep Out | Yes | | | | | | | | | | | | |
| | Normal Mode On, Idle Mode On, Sleep Out | Yes | | | | | | | | | | | | |
| | Partial Mode On, Idle Mode Off, Sleep Out | Yes | | | | | | | | | | | | |
| | Partial Mode On, Idle Mode On, Sleep Out | Yes | | | | | | | | | | | | |
| Sleep In | Yes | | | | | | | | | | | | | |

| Default | <table border="1"> <thead> <tr> <th>Status</th> <th>Default Value</th> </tr> </thead> <tbody> <tr> <td>Power On Sequence</td> <td>0Bh</td> </tr> <tr> <td>S/W Reset</td> <td>0Bh</td> </tr> <tr> <td>H/W Reset</td> <td>0Bh</td> </tr> </tbody> </table> | | Status | Default Value | Power On Sequence | 0Bh | S/W Reset | 0Bh | H/W Reset | 0Bh |
|-----------|--|---------------|--------|---------------|-------------------|-----|-----------|-----|-----------|-----|
| | Status | Default Value | | | | | | | | |
| | Power On Sequence | 0Bh | | | | | | | | |
| | S/W Reset | 0Bh | | | | | | | | |
| H/W Reset | 0Bh | | | | | | | | | |

9.2.16 VDVS (C4h): VDV Set

| C4H | VDVS (VDV Set) | | | | | | | | | | | | | |
|---------------------------|----------------------------|-----|------------------|----------------|----|-----|------------------|----------------|-------|-------|-------|-------|-------|--|
| Inst / Para | D/CX | WRX | RDX | D17-8 | D7 | D6 | D5 | D4 | D3 | D2 | D1 | D0 | HEX | |
| VDVS | 0 | ↑ | 1 | - | 1 | 1 | 0 | 0 | 0 | 1 | 0 | 0 | (C4h) | |
| 1 st Parameter | 1 | ↑ | 1 | - | 0 | 0 | VDVS5 | VDVS4 | VDVS3 | VDVS2 | VDVS1 | VDVS0 | | |
| Description | VDVS[5:0]: VDV Set. | | | | | | | | | | | | | |
| | | | VDVS[5:0] | VDV (V) | | | VDVS[5:0] | VDV (V) | | | | | | |
| | | | 00h | -0.8 | | | 20h | 0 | | | | | | |
| | | | 01h | -0.775 | | | 21h | 0.025 | | | | | | |
| | | | 02h | -0.75 | | | 22h | 0.05 | | | | | | |
| | | | 03h | -0.725 | | | 23h | 0.075 | | | | | | |
| | | | 04h | -0.7 | | | 24h | 0.1 | | | | | | |
| | | | 05h | -0.675 | | | 25h | 0.125 | | | | | | |
| | | | 06h | -0.65 | | | 26h | 0.15 | | | | | | |
| | | | 07h | -0.625 | | | 27h | 0.175 | | | | | | |
| | | | 08h | -0.6 | | | 28h | 0.2 | | | | | | |
| | | | 09h | -0.575 | | | 29h | 0.225 | | | | | | |
| | | | 0Ah | -0.55 | | | 2Ah | 0.25 | | | | | | |
| | | | 0Bh | -0.525 | | | 2Bh | 0.275 | | | | | | |
| | | | 0Ch | -0.5 | | | 2Ch | 0.3 | | | | | | |
| | | | 0Dh | -0.475 | | | 2Dh | 0.325 | | | | | | |
| | | | 0Eh | -0.45 | | | 2Eh | 0.35 | | | | | | |
| | | | 0Fh | -0.425 | | | 2Fh | 0.375 | | | | | | |
| | | | 10h | -0.4 | | | 30h | 0.4 | | | | | | |
| | | | 11h | -0.375 | | | 31h | 0.425 | | | | | | |
| | | | 12h | -0.35 | | | 32h | 0.45 | | | | | | |
| | | | 13h | -0.325 | | | 33h | 0.475 | | | | | | |
| | | | 14h | -0.3 | | | 34h | 0.5 | | | | | | |
| | | | 15h | -0.275 | | | 35h | 0.525 | | | | | | |
| | | | 16h | -0.25 | | | 36h | 0.55 | | | | | | |
| | | | 17h | -0.225 | | | 37h | 0.575 | | | | | | |
| | | | 18h | -0.2 | | | 38h | 0.6 | | | | | | |
| | | 19h | -0.175 | | | 39h | 0.625 | | | | | | | |
| | | 1Ah | -0.15 | | | 3Ah | 0.65 | | | | | | | |
| | | 1Bh | -0.125 | | | 3Bh | 0.675 | | | | | | | |
| | | 1Ch | -0.1 | | | 3Ch | 0.7 | | | | | | | |

| | <table border="1"> <tr> <td>1Dh</td> <td>-0.075</td> <td>3Dh</td> <td>0.725</td> </tr> <tr> <td>1Eh</td> <td>-0.05</td> <td>3Eh</td> <td>0.75</td> </tr> <tr> <td>1Fh</td> <td>-0.025</td> <td>3Fh</td> <td>0.775</td> </tr> </table> | 1Dh | -0.075 | 3Dh | 0.725 | 1Eh | -0.05 | 3Eh | 0.75 | 1Fh | -0.025 | 3Fh | 0.775 |
|---|--|--------|---------------|--|-------|---|-------|---|------|--|--------|----------|-------|
| 1Dh | -0.075 | 3Dh | 0.725 | | | | | | | | | | |
| 1Eh | -0.05 | 3Eh | 0.75 | | | | | | | | | | |
| 1Fh | -0.025 | 3Fh | 0.775 | | | | | | | | | | |
| Register Availability | <table border="1"> <thead> <tr> <th>Status</th> <th>Availability</th> </tr> </thead> <tbody> <tr> <td>Normal Mode On, Idle Mode Off, Sleep Out</td> <td>Yes</td> </tr> <tr> <td>Normal Mode On, Idle Mode On, Sleep Out</td> <td>Yes</td> </tr> <tr> <td>Partial Mode On, Idle Mode Off, Sleep Out</td> <td>Yes</td> </tr> <tr> <td>Partial Mode On, Idle Mode On, Sleep Out</td> <td>Yes</td> </tr> <tr> <td>Sleep In</td> <td>Yes</td> </tr> </tbody> </table> | Status | Availability | Normal Mode On, Idle Mode Off, Sleep Out | Yes | Normal Mode On, Idle Mode On, Sleep Out | Yes | Partial Mode On, Idle Mode Off, Sleep Out | Yes | Partial Mode On, Idle Mode On, Sleep Out | Yes | Sleep In | Yes |
| Status | Availability | | | | | | | | | | | | |
| Normal Mode On, Idle Mode Off, Sleep Out | Yes | | | | | | | | | | | | |
| Normal Mode On, Idle Mode On, Sleep Out | Yes | | | | | | | | | | | | |
| Partial Mode On, Idle Mode Off, Sleep Out | Yes | | | | | | | | | | | | |
| Partial Mode On, Idle Mode On, Sleep Out | Yes | | | | | | | | | | | | |
| Sleep In | Yes | | | | | | | | | | | | |
| Default | <table border="1"> <thead> <tr> <th>Status</th> <th>Default Value</th> </tr> </thead> <tbody> <tr> <td>Power On Sequence</td> <td>20h</td> </tr> <tr> <td>S/W Reset</td> <td>20h</td> </tr> <tr> <td>H/W Reset</td> <td>20h</td> </tr> </tbody> </table> | Status | Default Value | Power On Sequence | 20h | S/W Reset | 20h | H/W Reset | 20h | | | | |
| Status | Default Value | | | | | | | | | | | | |
| Power On Sequence | 20h | | | | | | | | | | | | |
| S/W Reset | 20h | | | | | | | | | | | | |
| H/W Reset | 20h | | | | | | | | | | | | |

9.2.17 VCMOFSET (C5h): VCOM Offset Set

| C5H | VCMOFSET (VCOM Offset Set) | | | | | | | | | | | | |
|---------------------------|-----------------------------|--------|-----------------|-------|-------------|----|----------------|---------|---------|---------|---------|---------|-------|
| Inst / Para | D/CX | WRX | RDX | D17-8 | D7 | D6 | D5 | D4 | D3 | D2 | D1 | D0 | HEX |
| VCMOFSET | 0 | ↑ | 1 | - | 1 | 1 | 0 | 0 | 0 | 1 | 0 | 1 | (C5h) |
| 1 st Parameter | 1 | ↑ | 1 | - | 0 | 0 | VCMOFS5 | VCMOFS4 | VCMOFS3 | VCMOFS2 | VCMOFS1 | VCMOFS0 | |
| Description | VCOM offset setting: | | | | | | | | | | | | |
| | VCMOFS[5:0] | | VCOM OFFSET (V) | | VCMOFS[5:0] | | VCOM OFFSET(V) | | | | | | |
| | 00h | -0.8 | 20h | 0 | | | | | | | | | |
| | 01h | -0.775 | 21h | 0.025 | | | | | | | | | |
| | 02h | -0.75 | 22h | 0.05 | | | | | | | | | |
| | 03h | -0.725 | 23h | 0.075 | | | | | | | | | |
| | 04h | -0.7 | 24h | 0.1 | | | | | | | | | |
| | 05h | -0.675 | 25h | 0.125 | | | | | | | | | |
| | 06h | -0.65 | 26h | 0.15 | | | | | | | | | |
| | 07h | -0.625 | 27h | 0.175 | | | | | | | | | |
| | 08h | -0.6 | 28h | 0.2 | | | | | | | | | |
| | 09h | -0.575 | 29h | 0.225 | | | | | | | | | |
| | 0Ah | -0.55 | 2Ah | 0.25 | | | | | | | | | |
| | 0Bh | -0.525 | 2Bh | 0.275 | | | | | | | | | |
| | 0Ch | -0.5 | 2Ch | 0.3 | | | | | | | | | |
| | 0Dh | -0.475 | 2Dh | 0.325 | | | | | | | | | |
| | 0Eh | -0.45 | 2Eh | 0.35 | | | | | | | | | |
| | 0Fh | -0.425 | 2Fh | 0.375 | | | | | | | | | |
| | 10h | -0.4 | 30h | 0.4 | | | | | | | | | |
| | 11h | -0.375 | 31h | 0.425 | | | | | | | | | |
| | 12h | -0.35 | 32h | 0.45 | | | | | | | | | |
| | 13h | -0.325 | 33h | 0.475 | | | | | | | | | |
| | 14h | -0.3 | 34h | 0.5 | | | | | | | | | |
| | 15h | -0.275 | 35h | 0.525 | | | | | | | | | |
| | 16h | -0.25 | 36h | 0.55 | | | | | | | | | |
| | 17h | -0.225 | 37h | 0.575 | | | | | | | | | |
| | 18h | -0.2 | 38h | 0.6 | | | | | | | | | |
| 19h | -0.175 | 39h | 0.625 | | | | | | | | | | |
| 1Ah | -0.15 | 3Ah | 0.65 | | | | | | | | | | |
| 1Bh | -0.125 | 3Bh | 0.675 | | | | | | | | | | |
| 1Ch | -0.1 | 3Ch | 0.7 | | | | | | | | | | |

| | <table border="1"> <tr> <td>1Dh</td> <td>-0.075</td> <td>3Dh</td> <td>0.725</td> </tr> <tr> <td>1Eh</td> <td>-0.05</td> <td>3Eh</td> <td>0.75</td> </tr> <tr> <td>1Fh</td> <td>-0.025</td> <td>3Fh</td> <td>0.775</td> </tr> </table> | 1Dh | -0.075 | 3Dh | 0.725 | 1Eh | -0.05 | 3Eh | 0.75 | 1Fh | -0.025 | 3Fh | 0.775 |
|---|--|--------|---------------|--|-------|---|-------|---|------|--|--------|----------|-------|
| 1Dh | -0.075 | 3Dh | 0.725 | | | | | | | | | | |
| 1Eh | -0.05 | 3Eh | 0.75 | | | | | | | | | | |
| 1Fh | -0.025 | 3Fh | 0.775 | | | | | | | | | | |
| Register Availability | <table border="1"> <thead> <tr> <th>Status</th> <th>Availability</th> </tr> </thead> <tbody> <tr> <td>Normal Mode On, Idle Mode Off, Sleep Out</td> <td>Yes</td> </tr> <tr> <td>Normal Mode On, Idle Mode On, Sleep Out</td> <td>Yes</td> </tr> <tr> <td>Partial Mode On, Idle Mode Off, Sleep Out</td> <td>Yes</td> </tr> <tr> <td>Partial Mode On, Idle Mode On, Sleep Out</td> <td>Yes</td> </tr> <tr> <td>Sleep In</td> <td>Yes</td> </tr> </tbody> </table> | Status | Availability | Normal Mode On, Idle Mode Off, Sleep Out | Yes | Normal Mode On, Idle Mode On, Sleep Out | Yes | Partial Mode On, Idle Mode Off, Sleep Out | Yes | Partial Mode On, Idle Mode On, Sleep Out | Yes | Sleep In | Yes |
| Status | Availability | | | | | | | | | | | | |
| Normal Mode On, Idle Mode Off, Sleep Out | Yes | | | | | | | | | | | | |
| Normal Mode On, Idle Mode On, Sleep Out | Yes | | | | | | | | | | | | |
| Partial Mode On, Idle Mode Off, Sleep Out | Yes | | | | | | | | | | | | |
| Partial Mode On, Idle Mode On, Sleep Out | Yes | | | | | | | | | | | | |
| Sleep In | Yes | | | | | | | | | | | | |
| Default | <table border="1"> <thead> <tr> <th>Status</th> <th>Default Value</th> </tr> </thead> <tbody> <tr> <td>Power On Sequence</td> <td>20h</td> </tr> <tr> <td>S/W Reset</td> <td>20h</td> </tr> <tr> <td>H/W Reset</td> <td>20h</td> </tr> </tbody> </table> | Status | Default Value | Power On Sequence | 20h | S/W Reset | 20h | H/W Reset | 20h | | | | |
| Status | Default Value | | | | | | | | | | | | |
| Power On Sequence | 20h | | | | | | | | | | | | |
| S/W Reset | 20h | | | | | | | | | | | | |
| H/W Reset | 20h | | | | | | | | | | | | |

9.2.18 FRCTRL2 (C6h): Frame Rate Control in Normal Mode

| C6H | FRCTRL2 (Frame Rate Control in Normal Mode) | | | | | | | | | | | | | | | | | | | | | | | | | | | | | | | | | | | | | | | | | | | | | | | | | | | | | | | | | | | | | | | | | | | | | | | | | | | | | | | | |
|--|--|------------------------|-----------|------------------------|------|------|------|-------|-------|-------|-------|-------|-------|-----------|------------------------|--|------------------------|---|-----|---|-----|--|-----|-----|----|-----|-----|-----|----|-----|----|-----|----|-----|----|-----|----|-----|----|-----|----|-----|----|-----|----|-----|----|-----|----|-----|----|-----|----|-----|----|-----|----|-----|----|-----|----|-----|----|-----|----|-----|----|-----|----|-----|----|-----|----|-----|----|-----|----|-----|----|-----|----|
| Inst / Para | D/CX | WRX | RDX | D17-8 | D7 | D6 | D5 | D4 | D3 | D2 | D1 | D0 | HEX | | | | | | | | | | | | | | | | | | | | | | | | | | | | | | | | | | | | | | | | | | | | | | | | | | | | | | | | | | | | | | | | | | | | |
| FRCTRL2 | 0 | ↑ | 1 | - | 1 | 1 | 0 | 0 | 0 | 1 | 1 | 0 | (C6h) | | | | | | | | | | | | | | | | | | | | | | | | | | | | | | | | | | | | | | | | | | | | | | | | | | | | | | | | | | | | | | | | | | | | |
| 1 st Parameter | 1 | ↑ | 1 | - | NLA2 | NLA1 | NLA0 | RTNA4 | RTNA3 | RTNA2 | RTNA1 | RTNA0 | | | | | | | | | | | | | | | | | | | | | | | | | | | | | | | | | | | | | | | | | | | | | | | | | | | | | | | | | | | | | | | | | | | | | |
| Description | <p>NLA[2 :0] : Inversion selection in normal mode. 0x00 : dot inversion. 0x07: column inversion.</p> <p>RTNA[4:0]:</p> <table border="1"> <thead> <tr> <th>RTNA[4:0]</th> <th>FR in normal mode (Hz)</th> <th>RTNA[4:0]</th> <th>FR in normal mode (Hz)</th> </tr> </thead> <tbody> <tr><td>00h</td><td>119</td><td>10h</td><td>58</td></tr> <tr><td>01h</td><td>111</td><td>11h</td><td>57</td></tr> <tr><td>02h</td><td>105</td><td>12h</td><td>55</td></tr> <tr><td>03h</td><td>99</td><td>13h</td><td>53</td></tr> <tr><td>04h</td><td>94</td><td>14h</td><td>52</td></tr> <tr><td>05h</td><td>90</td><td>15h</td><td>50</td></tr> <tr><td>06h</td><td>86</td><td>16h</td><td>49</td></tr> <tr><td>07h</td><td>82</td><td>17h</td><td>48</td></tr> <tr><td>08h</td><td>78</td><td>18h</td><td>46</td></tr> <tr><td>09h</td><td>75</td><td>19h</td><td>45</td></tr> <tr><td>0Ah</td><td>72</td><td>1Ah</td><td>44</td></tr> <tr><td>0Bh</td><td>69</td><td>1Bh</td><td>43</td></tr> <tr><td>0Ch</td><td>67</td><td>1Ch</td><td>42</td></tr> <tr><td>0Dh</td><td>64</td><td>1Dh</td><td>41</td></tr> <tr><td>0Eh</td><td>62</td><td>1Eh</td><td>40</td></tr> <tr><td>0Fh</td><td>60</td><td>1Fh</td><td>39</td></tr> </tbody> </table> <p>Note: 1. Frame rate=10MHz/(320+FPA[6:0]+BPA[6:0])*(250+RTNA[4:0]*16). 2. FPA[6:0] and BPA[6:0] are in command B2h 3. In this frame rate table, FPA[6:0]=0Ch, BPA[6:0]=0Ch</p> | | | | | | | | | | | | | RTNA[4:0] | FR in normal mode (Hz) | RTNA[4:0] | FR in normal mode (Hz) | 00h | 119 | 10h | 58 | 01h | 111 | 11h | 57 | 02h | 105 | 12h | 55 | 03h | 99 | 13h | 53 | 04h | 94 | 14h | 52 | 05h | 90 | 15h | 50 | 06h | 86 | 16h | 49 | 07h | 82 | 17h | 48 | 08h | 78 | 18h | 46 | 09h | 75 | 19h | 45 | 0Ah | 72 | 1Ah | 44 | 0Bh | 69 | 1Bh | 43 | 0Ch | 67 | 1Ch | 42 | 0Dh | 64 | 1Dh | 41 | 0Eh | 62 | 1Eh | 40 | 0Fh | 60 | 1Fh | 39 |
| | RTNA[4:0] | FR in normal mode (Hz) | RTNA[4:0] | FR in normal mode (Hz) | | | | | | | | | | | | | | | | | | | | | | | | | | | | | | | | | | | | | | | | | | | | | | | | | | | | | | | | | | | | | | | | | | | | | | | | | | | | | |
| | 00h | 119 | 10h | 58 | | | | | | | | | | | | | | | | | | | | | | | | | | | | | | | | | | | | | | | | | | | | | | | | | | | | | | | | | | | | | | | | | | | | | | | | | | | | | |
| | 01h | 111 | 11h | 57 | | | | | | | | | | | | | | | | | | | | | | | | | | | | | | | | | | | | | | | | | | | | | | | | | | | | | | | | | | | | | | | | | | | | | | | | | | | | | |
| | 02h | 105 | 12h | 55 | | | | | | | | | | | | | | | | | | | | | | | | | | | | | | | | | | | | | | | | | | | | | | | | | | | | | | | | | | | | | | | | | | | | | | | | | | | | | |
| | 03h | 99 | 13h | 53 | | | | | | | | | | | | | | | | | | | | | | | | | | | | | | | | | | | | | | | | | | | | | | | | | | | | | | | | | | | | | | | | | | | | | | | | | | | | | |
| | 04h | 94 | 14h | 52 | | | | | | | | | | | | | | | | | | | | | | | | | | | | | | | | | | | | | | | | | | | | | | | | | | | | | | | | | | | | | | | | | | | | | | | | | | | | | |
| | 05h | 90 | 15h | 50 | | | | | | | | | | | | | | | | | | | | | | | | | | | | | | | | | | | | | | | | | | | | | | | | | | | | | | | | | | | | | | | | | | | | | | | | | | | | | |
| | 06h | 86 | 16h | 49 | | | | | | | | | | | | | | | | | | | | | | | | | | | | | | | | | | | | | | | | | | | | | | | | | | | | | | | | | | | | | | | | | | | | | | | | | | | | | |
| | 07h | 82 | 17h | 48 | | | | | | | | | | | | | | | | | | | | | | | | | | | | | | | | | | | | | | | | | | | | | | | | | | | | | | | | | | | | | | | | | | | | | | | | | | | | | |
| | 08h | 78 | 18h | 46 | | | | | | | | | | | | | | | | | | | | | | | | | | | | | | | | | | | | | | | | | | | | | | | | | | | | | | | | | | | | | | | | | | | | | | | | | | | | | |
| | 09h | 75 | 19h | 45 | | | | | | | | | | | | | | | | | | | | | | | | | | | | | | | | | | | | | | | | | | | | | | | | | | | | | | | | | | | | | | | | | | | | | | | | | | | | | |
| | 0Ah | 72 | 1Ah | 44 | | | | | | | | | | | | | | | | | | | | | | | | | | | | | | | | | | | | | | | | | | | | | | | | | | | | | | | | | | | | | | | | | | | | | | | | | | | | | |
| | 0Bh | 69 | 1Bh | 43 | | | | | | | | | | | | | | | | | | | | | | | | | | | | | | | | | | | | | | | | | | | | | | | | | | | | | | | | | | | | | | | | | | | | | | | | | | | | | |
| | 0Ch | 67 | 1Ch | 42 | | | | | | | | | | | | | | | | | | | | | | | | | | | | | | | | | | | | | | | | | | | | | | | | | | | | | | | | | | | | | | | | | | | | | | | | | | | | | |
| | 0Dh | 64 | 1Dh | 41 | | | | | | | | | | | | | | | | | | | | | | | | | | | | | | | | | | | | | | | | | | | | | | | | | | | | | | | | | | | | | | | | | | | | | | | | | | | | | |
| | 0Eh | 62 | 1Eh | 40 | | | | | | | | | | | | | | | | | | | | | | | | | | | | | | | | | | | | | | | | | | | | | | | | | | | | | | | | | | | | | | | | | | | | | | | | | | | | | |
| 0Fh | 60 | 1Fh | 39 | | | | | | | | | | | | | | | | | | | | | | | | | | | | | | | | | | | | | | | | | | | | | | | | | | | | | | | | | | | | | | | | | | | | | | | | | | | | | | |
| Register Availability | <table border="1"> <thead> <tr> <th>Status</th> <th>Availability</th> </tr> </thead> <tbody> <tr> <td>Normal Mode On, Idle Mode Off, Sleep Out</td> <td>Yes</td> </tr> <tr> <td>Normal Mode On, Idle Mode On, Sleep Out</td> <td>Yes</td> </tr> <tr> <td>Partial Mode On, Idle Mode Off, Sleep Out</td> <td>Yes</td> </tr> <tr> <td>Partial Mode On, Idle Mode On, Sleep Out</td> <td>Yes</td> </tr> </tbody> </table> | | | | | | | | | | | | | Status | Availability | Normal Mode On, Idle Mode Off, Sleep Out | Yes | Normal Mode On, Idle Mode On, Sleep Out | Yes | Partial Mode On, Idle Mode Off, Sleep Out | Yes | Partial Mode On, Idle Mode On, Sleep Out | Yes | | | | | | | | | | | | | | | | | | | | | | | | | | | | | | | | | | | | | | | | | | | | | | | | | | | | | | | | | | |
| | Status | Availability | | | | | | | | | | | | | | | | | | | | | | | | | | | | | | | | | | | | | | | | | | | | | | | | | | | | | | | | | | | | | | | | | | | | | | | | | | | | | | | |
| | Normal Mode On, Idle Mode Off, Sleep Out | Yes | | | | | | | | | | | | | | | | | | | | | | | | | | | | | | | | | | | | | | | | | | | | | | | | | | | | | | | | | | | | | | | | | | | | | | | | | | | | | | | |
| | Normal Mode On, Idle Mode On, Sleep Out | Yes | | | | | | | | | | | | | | | | | | | | | | | | | | | | | | | | | | | | | | | | | | | | | | | | | | | | | | | | | | | | | | | | | | | | | | | | | | | | | | | |
| | Partial Mode On, Idle Mode Off, Sleep Out | Yes | | | | | | | | | | | | | | | | | | | | | | | | | | | | | | | | | | | | | | | | | | | | | | | | | | | | | | | | | | | | | | | | | | | | | | | | | | | | | | | |
| Partial Mode On, Idle Mode On, Sleep Out | Yes | | | | | | | | | | | | | | | | | | | | | | | | | | | | | | | | | | | | | | | | | | | | | | | | | | | | | | | | | | | | | | | | | | | | | | | | | | | | | | | | |

| | <table border="1"> <tr> <td>Sleep In</td> <td>Yes</td> </tr> </table> | Sleep In | Yes | | | | | | |
|-------------------|--|----------|---------------|-------------------|-----|-----------|-----|-----------|-----|
| Sleep In | Yes | | | | | | | | |
| Default | <table border="1"> <thead> <tr> <th>Status</th> <th>Default Value</th> </tr> </thead> <tbody> <tr> <td>Power On Sequence</td> <td>0Fh</td> </tr> <tr> <td>S/W Reset</td> <td>0Fh</td> </tr> <tr> <td>H/W Reset</td> <td>0Fh</td> </tr> </tbody> </table> | Status | Default Value | Power On Sequence | 0Fh | S/W Reset | 0Fh | H/W Reset | 0Fh |
| Status | Default Value | | | | | | | | |
| Power On Sequence | 0Fh | | | | | | | | |
| S/W Reset | 0Fh | | | | | | | | |
| H/W Reset | 0Fh | | | | | | | | |

9.2.19 CABCTRL (C7h): CAB Control

| C7H | CABCTRL (CABC Control) | | | | | | | | | | | | | | | | | | | | | | | | |
|---|--|-----|-----|-------|----|----|----|----|----------|---------|--------|--------|-------|--------|---------------|--|-----|---|-----|---|-----|--|-----|----------|-----|
| Inst / Para | D/CX | WRX | RDX | D17-8 | D7 | D6 | D5 | D4 | D3 | D2 | D1 | D0 | HEX | | | | | | | | | | | | |
| CABCTRL | 0 | ↑ | 1 | - | 1 | 1 | 0 | 0 | 0 | 1 | 1 | 1 | (C7h) | | | | | | | | | | | | |
| 1 st Parameter | 1 | ↑ | 1 | - | 0 | 0 | 0 | 0 | LEDONREV | DPOFPWM | PWMFIX | PWMPOL | | | | | | | | | | | | | |
| Description | <p>LEDONREV: Reverse the status of LED_ON: "0": keep the status of LED_ON. "1": reverse the status of LED_ON.</p> <p>DPOFPWM: initial state control of LEDPWM. "0": The initial state of LEDPWM is low. "1": The initial state of LEDPWM is high.</p> <p>PWMFIX: LEDPWM fix control. "0": LEDPWM control by CABC. "1": fix LEDPWM in "ON" status.</p> <p>PWMPOL: LEDPWM polarity control. "0": polarity high. "1": polarity low.</p> | | | | | | | | | | | | | | | | | | | | | | | | |
| Register Availability | <table border="1"> <thead> <tr> <th>Status</th> <th>Availability</th> </tr> </thead> <tbody> <tr> <td>Normal Mode On, Idle Mode Off, Sleep Out</td> <td>Yes</td> </tr> <tr> <td>Normal Mode On, Idle Mode On, Sleep Out</td> <td>Yes</td> </tr> <tr> <td>Partial Mode On, Idle Mode Off, Sleep Out</td> <td>Yes</td> </tr> <tr> <td>Partial Mode On, Idle Mode On, Sleep Out</td> <td>Yes</td> </tr> <tr> <td>Sleep In</td> <td>Yes</td> </tr> </tbody> </table> | | | | | | | | | | | | | Status | Availability | Normal Mode On, Idle Mode Off, Sleep Out | Yes | Normal Mode On, Idle Mode On, Sleep Out | Yes | Partial Mode On, Idle Mode Off, Sleep Out | Yes | Partial Mode On, Idle Mode On, Sleep Out | Yes | Sleep In | Yes |
| Status | Availability | | | | | | | | | | | | | | | | | | | | | | | | |
| Normal Mode On, Idle Mode Off, Sleep Out | Yes | | | | | | | | | | | | | | | | | | | | | | | | |
| Normal Mode On, Idle Mode On, Sleep Out | Yes | | | | | | | | | | | | | | | | | | | | | | | | |
| Partial Mode On, Idle Mode Off, Sleep Out | Yes | | | | | | | | | | | | | | | | | | | | | | | | |
| Partial Mode On, Idle Mode On, Sleep Out | Yes | | | | | | | | | | | | | | | | | | | | | | | | |
| Sleep In | Yes | | | | | | | | | | | | | | | | | | | | | | | | |
| Default | <table border="1"> <thead> <tr> <th>Status</th> <th>Default Value</th> </tr> </thead> <tbody> <tr> <td>Power On Sequence</td> <td>00h</td> </tr> <tr> <td>S/W Reset</td> <td>00h</td> </tr> <tr> <td>H/W Reset</td> <td>00h</td> </tr> </tbody> </table> | | | | | | | | | | | | | Status | Default Value | Power On Sequence | 00h | S/W Reset | 00h | H/W Reset | 00h | | | | |
| Status | Default Value | | | | | | | | | | | | | | | | | | | | | | | | |
| Power On Sequence | 00h | | | | | | | | | | | | | | | | | | | | | | | | |
| S/W Reset | 00h | | | | | | | | | | | | | | | | | | | | | | | | |
| H/W Reset | 00h | | | | | | | | | | | | | | | | | | | | | | | | |

9.2.20 REGSEL1 (C8h): Register Value Selection 1

| C8H | REGSEL1 (Register Value Selection 1) | | | | | | | | | | | | HEX | | | | | | | | | | | | |
|---|--|-----|-----|-------|----|----|----|----|----|----|----|----|-------|--------|---------------|--|-----|---|-----|---|-----|--|-----|----------|-----|
| Inst / Para | D/CX | WRX | RDX | D17-8 | D7 | D6 | D5 | D4 | D3 | D2 | D1 | D0 | | | | | | | | | | | | | |
| REGSEL1 | 0 | ↑ | 1 | - | 1 | 1 | 0 | 0 | 1 | 0 | 0 | 0 | (C8h) | | | | | | | | | | | | |
| Parameter | 1 | ↑ | 1 | - | 0 | 0 | 0 | 0 | 1 | 0 | 0 | 0 | | | | | | | | | | | | | |
| Description | Reserved for testing | | | | | | | | | | | | | | | | | | | | | | | | |
| Register Availability | <table border="1"> <thead> <tr> <th>Status</th> <th>Availability</th> </tr> </thead> <tbody> <tr> <td>Normal Mode On, Idle Mode Off, Sleep Out</td> <td>Yes</td> </tr> <tr> <td>Normal Mode On, Idle Mode On, Sleep Out</td> <td>Yes</td> </tr> <tr> <td>Partial Mode On, Idle Mode Off, Sleep Out</td> <td>Yes</td> </tr> <tr> <td>Partial Mode On, Idle Mode On, Sleep Out</td> <td>Yes</td> </tr> <tr> <td>Sleep In</td> <td>Yes</td> </tr> </tbody> </table> | | | | | | | | | | | | | Status | Availability | Normal Mode On, Idle Mode Off, Sleep Out | Yes | Normal Mode On, Idle Mode On, Sleep Out | Yes | Partial Mode On, Idle Mode Off, Sleep Out | Yes | Partial Mode On, Idle Mode On, Sleep Out | Yes | Sleep In | Yes |
| Status | Availability | | | | | | | | | | | | | | | | | | | | | | | | |
| Normal Mode On, Idle Mode Off, Sleep Out | Yes | | | | | | | | | | | | | | | | | | | | | | | | |
| Normal Mode On, Idle Mode On, Sleep Out | Yes | | | | | | | | | | | | | | | | | | | | | | | | |
| Partial Mode On, Idle Mode Off, Sleep Out | Yes | | | | | | | | | | | | | | | | | | | | | | | | |
| Partial Mode On, Idle Mode On, Sleep Out | Yes | | | | | | | | | | | | | | | | | | | | | | | | |
| Sleep In | Yes | | | | | | | | | | | | | | | | | | | | | | | | |
| Default | <table border="1"> <thead> <tr> <th>Status</th> <th>Default Value</th> </tr> </thead> <tbody> <tr> <td>Power On Sequence</td> <td>08h</td> </tr> <tr> <td>S/W Reset</td> <td>08h</td> </tr> <tr> <td>H/W Reset</td> <td>08h</td> </tr> </tbody> </table> | | | | | | | | | | | | | Status | Default Value | Power On Sequence | 08h | S/W Reset | 08h | H/W Reset | 08h | | | | |
| Status | Default Value | | | | | | | | | | | | | | | | | | | | | | | | |
| Power On Sequence | 08h | | | | | | | | | | | | | | | | | | | | | | | | |
| S/W Reset | 08h | | | | | | | | | | | | | | | | | | | | | | | | |
| H/W Reset | 08h | | | | | | | | | | | | | | | | | | | | | | | | |

9.2.21 REGSEL2 (CAh): Register Value Selection 2

| CAH | REGSEL2 (Register Value Selection 2) | | | | | | | | | | | | | | | | | | | | | | | | |
|---|--|-----|-----|-------|----|----|----|----|----|----|----|----|-------|--------|---------------|--|-----|---|-----|---|-----|--|-----|----------|-----|
| Inst / Para | D/CX | WRX | RDX | D17-8 | D7 | D6 | D5 | D4 | D3 | D2 | D1 | D0 | HEX | | | | | | | | | | | | |
| REGSEL2 | 0 | ↑ | 1 | - | 1 | 1 | 0 | 0 | 1 | 0 | 1 | 0 | (CAh) | | | | | | | | | | | | |
| Parameter | 1 | ↑ | 1 | - | 0 | 0 | 0 | 0 | 1 | 1 | 1 | 1 | | | | | | | | | | | | | |
| Description | Reserved for testing | | | | | | | | | | | | | | | | | | | | | | | | |
| Register Availability | <table border="1"> <thead> <tr> <th>Status</th> <th>Availability</th> </tr> </thead> <tbody> <tr> <td>Normal Mode On, Idle Mode Off, Sleep Out</td> <td>Yes</td> </tr> <tr> <td>Normal Mode On, Idle Mode On, Sleep Out</td> <td>Yes</td> </tr> <tr> <td>Partial Mode On, Idle Mode Off, Sleep Out</td> <td>Yes</td> </tr> <tr> <td>Partial Mode On, Idle Mode On, Sleep Out</td> <td>Yes</td> </tr> <tr> <td>Sleep In</td> <td>Yes</td> </tr> </tbody> </table> | | | | | | | | | | | | | Status | Availability | Normal Mode On, Idle Mode Off, Sleep Out | Yes | Normal Mode On, Idle Mode On, Sleep Out | Yes | Partial Mode On, Idle Mode Off, Sleep Out | Yes | Partial Mode On, Idle Mode On, Sleep Out | Yes | Sleep In | Yes |
| Status | Availability | | | | | | | | | | | | | | | | | | | | | | | | |
| Normal Mode On, Idle Mode Off, Sleep Out | Yes | | | | | | | | | | | | | | | | | | | | | | | | |
| Normal Mode On, Idle Mode On, Sleep Out | Yes | | | | | | | | | | | | | | | | | | | | | | | | |
| Partial Mode On, Idle Mode Off, Sleep Out | Yes | | | | | | | | | | | | | | | | | | | | | | | | |
| Partial Mode On, Idle Mode On, Sleep Out | Yes | | | | | | | | | | | | | | | | | | | | | | | | |
| Sleep In | Yes | | | | | | | | | | | | | | | | | | | | | | | | |
| Default | <table border="1"> <thead> <tr> <th>Status</th> <th>Default Value</th> </tr> </thead> <tbody> <tr> <td>Power On Sequence</td> <td>0Fh</td> </tr> <tr> <td>S/W Reset</td> <td>0Fh</td> </tr> <tr> <td>H/W Reset</td> <td>0Fh</td> </tr> </tbody> </table> | | | | | | | | | | | | | Status | Default Value | Power On Sequence | 0Fh | S/W Reset | 0Fh | H/W Reset | 0Fh | | | | |
| Status | Default Value | | | | | | | | | | | | | | | | | | | | | | | | |
| Power On Sequence | 0Fh | | | | | | | | | | | | | | | | | | | | | | | | |
| S/W Reset | 0Fh | | | | | | | | | | | | | | | | | | | | | | | | |
| H/W Reset | 0Fh | | | | | | | | | | | | | | | | | | | | | | | | |

9.2.22 PWMFRSEL (CCh): PWM Frequency Selection

| CCH | PWMFRSEL (PWM Frequency Selection) | | | | | | | | | | | | | | | | | | | | | | | | |
|---------------------------|--|---------------|----------------|-------|------------|------------|------------|------------|------------|------------|------|------|-------|--------|---------------|--|-----|---|-----|---|-----|--|-----|----------|-----|
| Inst / Para | D/CX | WRX | RDX | D17-8 | D7 | D6 | D5 | D4 | D3 | D2 | D1 | D0 | HEX | | | | | | | | | | | | |
| PWMFRSEL | 0 | ↑ | 1 | - | 1 | 1 | 0 | 0 | 1 | 1 | 0 | 0 | (CCh) | | | | | | | | | | | | |
| 1 st Parameter | 1 | ↑ | 1 | - | 0 | 0 | CS2 | CS1 | CS0 | CLK2 | CLK1 | CLK0 | | | | | | | | | | | | | |
| Description | CS[2:0]/CLK[2:0]: | | | | | | | | | | | | | | | | | | | | | | | | |
| | | | CS[2:0] | | 00h | 01h | 02h | 03h | 04h | 05h | | | | | | | | | | | | | | | |
| | CLK[2:0] | | | | | | | | | | | | | | | | | | | | | | | | |
| | 00h | | | | 39.2 | 78.7 | 158.7 | 322.6 | 666.7 | 1428.6 | | | | | | | | | | | | | | | |
| | 01h | | | | 19.6 | 39.4 | 79.4 | 161.3 | 333.3 | 714.3 | | | | | | | | | | | | | | | |
| | 02h | | | | 9.8 | 19.7 | 39.7 | 80.6 | 166.7 | 357.1 | | | | | | | | | | | | | | | |
| | 03h | | | | 4.9 | 9.8 | 19.8 | 40.3 | 83.3 | 178.6 | | | | | | | | | | | | | | | |
| | 04h | | | | 2.45 | 4.9 | 9.9 | 20.2 | 41.7 | 89.3 | | | | | | | | | | | | | | | |
| | 05h | | | | 1.23 | 2.5 | 5 | 10.1 | 20.8 | 44.6 | | | | | | | | | | | | | | | |
| | 06h | | | | 0.61 | 1.23 | 2.48 | 5 | 10.4 | 22.3 | | | | | | | | | | | | | | | |
| 07h | | | | 0.31 | 0.62 | 1.24 | 2.5 | 5.2 | 11.2 | | | | | | | | | | | | | | | | |
| Unit:kHz | | | | | | | | | | | | | | | | | | | | | | | | | |
| Register Availability | <table border="1"> <thead> <tr> <th>Status</th> <th>Availability</th> </tr> </thead> <tbody> <tr> <td>Normal Mode On, Idle Mode Off, Sleep Out</td> <td>Yes</td> </tr> <tr> <td>Normal Mode On, Idle Mode On, Sleep Out</td> <td>Yes</td> </tr> <tr> <td>Partial Mode On, Idle Mode Off, Sleep Out</td> <td>Yes</td> </tr> <tr> <td>Partial Mode On, Idle Mode On, Sleep Out</td> <td>Yes</td> </tr> <tr> <td>Sleep In</td> <td>Yes</td> </tr> </tbody> </table> | | | | | | | | | | | | | Status | Availability | Normal Mode On, Idle Mode Off, Sleep Out | Yes | Normal Mode On, Idle Mode On, Sleep Out | Yes | Partial Mode On, Idle Mode Off, Sleep Out | Yes | Partial Mode On, Idle Mode On, Sleep Out | Yes | Sleep In | Yes |
| | Status | Availability | | | | | | | | | | | | | | | | | | | | | | | |
| | Normal Mode On, Idle Mode Off, Sleep Out | Yes | | | | | | | | | | | | | | | | | | | | | | | |
| | Normal Mode On, Idle Mode On, Sleep Out | Yes | | | | | | | | | | | | | | | | | | | | | | | |
| | Partial Mode On, Idle Mode Off, Sleep Out | Yes | | | | | | | | | | | | | | | | | | | | | | | |
| | Partial Mode On, Idle Mode On, Sleep Out | Yes | | | | | | | | | | | | | | | | | | | | | | | |
| Sleep In | Yes | | | | | | | | | | | | | | | | | | | | | | | | |
| Default | <table border="1"> <thead> <tr> <th>Status</th> <th>Default Value</th> </tr> </thead> <tbody> <tr> <td>Power On Sequence</td> <td>02h</td> </tr> <tr> <td>S/W Reset</td> <td>02h</td> </tr> <tr> <td>H/W Reset</td> <td>02h</td> </tr> </tbody> </table> | | | | | | | | | | | | | Status | Default Value | Power On Sequence | 02h | S/W Reset | 02h | H/W Reset | 02h | | | | |
| | Status | Default Value | | | | | | | | | | | | | | | | | | | | | | | |
| | Power On Sequence | 02h | | | | | | | | | | | | | | | | | | | | | | | |
| | S/W Reset | 02h | | | | | | | | | | | | | | | | | | | | | | | |
| H/W Reset | 02h | | | | | | | | | | | | | | | | | | | | | | | | |

9.2.23 PWCTRL1 (D0h): Power Control 1

| D0H | PWCTRL (Power Control) | | | | | | | | | | | | | | | | | | | | | | | |
|---------------------------|--|--------------|-----|-------|-------|-------|-----------------|-------|----|----|------|------|--------|--------------|--|-----|---|-----|---|-----|--|-----|----------|-----|
| Inst / Para | D/CX | WRX | RDX | D17-8 | D7 | D6 | D5 | D4 | D3 | D2 | D1 | D0 | HEX | | | | | | | | | | | |
| PWCTRL | 0 | ↑ | 1 | - | 1 | 1 | 0 | 1 | 0 | 0 | 0 | 0 | (D0h) | | | | | | | | | | | |
| 1 st Parameter | 1 | ↑ | 1 | - | 1 | 0 | 1 | 0 | 0 | 1 | 0 | 0 | | | | | | | | | | | | |
| 2 nd Parameter | 1 | ↑ | 1 | - | AVDD1 | AVDD0 | AVCL1 | AVCL0 | 0 | 0 | VDS1 | VDS0 | | | | | | | | | | | | |
| Description | AVDD[1:0]: | | | | | | | | | | | | | | | | | | | | | | | |
| | AVDD[1:0] | | | | | | AVDD (V) | | | | | | | | | | | | | | | | | |
| | 00h | | | | | | 6.4 | | | | | | | | | | | | | | | | | |
| | 01h | | | | | | 6.6 | | | | | | | | | | | | | | | | | |
| | 02h | | | | | | 6.8 | | | | | | | | | | | | | | | | | |
| | 03h | | | | | | Reserved | | | | | | | | | | | | | | | | | |
| | AVCL[1:0]: | | | | | | | | | | | | | | | | | | | | | | | |
| | AVCL[1:0] | | | | | | AVCL (V) | | | | | | | | | | | | | | | | | |
| | 00h | | | | | | -4.4 | | | | | | | | | | | | | | | | | |
| | 01h | | | | | | -4.6 | | | | | | | | | | | | | | | | | |
| | 02h | | | | | | -4.8 | | | | | | | | | | | | | | | | | |
| | 03h | | | | | | -5.0 | | | | | | | | | | | | | | | | | |
| | VDS[1:0]: | | | | | | | | | | | | | | | | | | | | | | | |
| | VDS[1:0] | | | | | | VDDS (V) | | | | | | | | | | | | | | | | | |
| | 00h | | | | | | 2.19 | | | | | | | | | | | | | | | | | |
| 01h | | | | | | 2.3 | | | | | | | | | | | | | | | | | | |
| 02h | | | | | | 2.4 | | | | | | | | | | | | | | | | | | |
| 03h | | | | | | 2.51 | | | | | | | | | | | | | | | | | | |
| VDDS: Power of source OP | | | | | | | | | | | | | | | | | | | | | | | | |
| Register Availability | <table border="1"> <thead> <tr> <th>Status</th> <th>Availability</th> </tr> </thead> <tbody> <tr> <td>Normal Mode On, Idle Mode Off, Sleep Out</td> <td>Yes</td> </tr> <tr> <td>Normal Mode On, Idle Mode On, Sleep Out</td> <td>Yes</td> </tr> <tr> <td>Partial Mode On, Idle Mode Off, Sleep Out</td> <td>Yes</td> </tr> <tr> <td>Partial Mode On, Idle Mode On, Sleep Out</td> <td>Yes</td> </tr> <tr> <td>Sleep In</td> <td>Yes</td> </tr> </tbody> </table> | | | | | | | | | | | | Status | Availability | Normal Mode On, Idle Mode Off, Sleep Out | Yes | Normal Mode On, Idle Mode On, Sleep Out | Yes | Partial Mode On, Idle Mode Off, Sleep Out | Yes | Partial Mode On, Idle Mode On, Sleep Out | Yes | Sleep In | Yes |
| | Status | Availability | | | | | | | | | | | | | | | | | | | | | | |
| | Normal Mode On, Idle Mode Off, Sleep Out | Yes | | | | | | | | | | | | | | | | | | | | | | |
| | Normal Mode On, Idle Mode On, Sleep Out | Yes | | | | | | | | | | | | | | | | | | | | | | |
| | Partial Mode On, Idle Mode Off, Sleep Out | Yes | | | | | | | | | | | | | | | | | | | | | | |
| | Partial Mode On, Idle Mode On, Sleep Out | Yes | | | | | | | | | | | | | | | | | | | | | | |
| Sleep In | Yes | | | | | | | | | | | | | | | | | | | | | | | |

| Default | <table border="1"> <thead> <tr> <th>Status</th> <th>Default Value</th> </tr> </thead> <tbody> <tr> <td>Power On Sequence</td> <td>A4h/A1h</td> </tr> <tr> <td>S/W Reset</td> <td>A4h/A1h</td> </tr> <tr> <td>H/W Reset</td> <td>A4h/A1h</td> </tr> </tbody> </table> | Status | Default Value | Power On Sequence | A4h/A1h | S/W Reset | A4h/A1h | H/W Reset | A4h/A1h |
|-------------------|--|--------|---------------|-------------------|---------|-----------|---------|-----------|---------|
| Status | Default Value | | | | | | | | |
| Power On Sequence | A4h/A1h | | | | | | | | |
| S/W Reset | A4h/A1h | | | | | | | | |
| H/W Reset | A4h/A1h | | | | | | | | |

9.2.24 VAPVANEN (D2h): Enable VAP/VAN signal output

| D2H | VAPVANEN (Enable VAP/VAN signal output) | | | | | | | | | | | | | | | | | | | | | | | | |
|---|--|-----|-----|-------|----|----|----|----|----|----|----|----|-------|--------|---------------|--|-----|---|-----|---|-----|--|-----|----------|-----|
| Inst / Para | D/CX | WRX | RDX | D17-8 | D7 | D6 | D5 | D4 | D3 | D2 | D1 | D0 | HEX | | | | | | | | | | | | |
| VAPVANEN | 0 | ↑ | 1 | - | 1 | 1 | 0 | 1 | 0 | 0 | 1 | 0 | (D2h) | | | | | | | | | | | | |
| Parameter | 1 | ↑ | 1 | - | 0 | 1 | 0 | 0 | 1 | 1 | 0 | 0 | | | | | | | | | | | | | |
| Description | Enable VAP/VAN signal output | | | | | | | | | | | | | | | | | | | | | | | | |
| Register Availability | <table border="1"> <thead> <tr> <th>Status</th> <th>Availability</th> </tr> </thead> <tbody> <tr> <td>Normal Mode On, Idle Mode Off, Sleep Out</td> <td>Yes</td> </tr> <tr> <td>Normal Mode On, Idle Mode On, Sleep Out</td> <td>Yes</td> </tr> <tr> <td>Partial Mode On, Idle Mode Off, Sleep Out</td> <td>Yes</td> </tr> <tr> <td>Partial Mode On, Idle Mode On, Sleep Out</td> <td>Yes</td> </tr> <tr> <td>Sleep In</td> <td>Yes</td> </tr> </tbody> </table> | | | | | | | | | | | | | Status | Availability | Normal Mode On, Idle Mode Off, Sleep Out | Yes | Normal Mode On, Idle Mode On, Sleep Out | Yes | Partial Mode On, Idle Mode Off, Sleep Out | Yes | Partial Mode On, Idle Mode On, Sleep Out | Yes | Sleep In | Yes |
| Status | Availability | | | | | | | | | | | | | | | | | | | | | | | | |
| Normal Mode On, Idle Mode Off, Sleep Out | Yes | | | | | | | | | | | | | | | | | | | | | | | | |
| Normal Mode On, Idle Mode On, Sleep Out | Yes | | | | | | | | | | | | | | | | | | | | | | | | |
| Partial Mode On, Idle Mode Off, Sleep Out | Yes | | | | | | | | | | | | | | | | | | | | | | | | |
| Partial Mode On, Idle Mode On, Sleep Out | Yes | | | | | | | | | | | | | | | | | | | | | | | | |
| Sleep In | Yes | | | | | | | | | | | | | | | | | | | | | | | | |
| Default | <table border="1"> <thead> <tr> <th>Status</th> <th>Default Value</th> </tr> </thead> <tbody> <tr> <td>Power On Sequence</td> <td>00h</td> </tr> <tr> <td>S/W Reset</td> <td>00h</td> </tr> <tr> <td>H/W Reset</td> <td>00h</td> </tr> </tbody> </table> | | | | | | | | | | | | | Status | Default Value | Power On Sequence | 00h | S/W Reset | 00h | H/W Reset | 00h | | | | |
| Status | Default Value | | | | | | | | | | | | | | | | | | | | | | | | |
| Power On Sequence | 00h | | | | | | | | | | | | | | | | | | | | | | | | |
| S/W Reset | 00h | | | | | | | | | | | | | | | | | | | | | | | | |
| H/W Reset | 00h | | | | | | | | | | | | | | | | | | | | | | | | |

9.2.25 CMD2EN (DFh): Command 2 Enable

| DFH | CMD2EN (Command 2 Enable) | | | | | | | | | | | | | | | | | | | | | | | | |
|---|--|-----|-----|-------|----|----|----|----|----|----|----|----|-------|--------|---------------|--|-----------------|---|-----------------|---|-----------------|--|-----|----------|-----|
| Inst / Para | D/CX | WRX | RDX | D17-8 | D7 | D6 | D5 | D4 | D3 | D2 | D1 | D0 | HEX | | | | | | | | | | | | |
| CMD2EN | 0 | ↑ | 1 | - | 1 | 1 | 0 | 1 | 1 | 1 | 1 | 1 | (DFh) | | | | | | | | | | | | |
| 1 st Parameter | 1 | ↑ | 1 | - | 0 | 1 | 0 | 1 | 1 | 0 | 1 | 0 | (5Ah) | | | | | | | | | | | | |
| 2 nd Parameter | 1 | ↑ | 1 | - | 0 | 1 | 1 | 0 | 1 | 0 | 0 | 1 | (69h) | | | | | | | | | | | | |
| 3 rd Parameter | 1 | ↑ | 1 | - | 0 | 0 | 0 | 0 | 0 | 0 | 1 | 0 | (02h) | | | | | | | | | | | | |
| 4 th Parameter | 1 | ↑ | 1 | - | 0 | 0 | 0 | 0 | 0 | 0 | 0 | EN | | | | | | | | | | | | | |
| Description | <p>EN:</p> <p>“0”: Commands in Command table 2 cannot be executed when EXTC level is “Low”.</p> <p>“1”: Commands in command table 2 can be executed when EXTC level is “Low”.</p> | | | | | | | | | | | | | | | | | | | | | | | | |
| Register Availability | <table border="1"> <thead> <tr> <th>Status</th> <th>Availability</th> </tr> </thead> <tbody> <tr> <td>Normal Mode On, Idle Mode Off, Sleep Out</td> <td>Yes</td> </tr> <tr> <td>Normal Mode On, Idle Mode On, Sleep Out</td> <td>Yes</td> </tr> <tr> <td>Partial Mode On, Idle Mode Off, Sleep Out</td> <td>Yes</td> </tr> <tr> <td>Partial Mode On, Idle Mode On, Sleep Out</td> <td>Yes</td> </tr> <tr> <td>Sleep In</td> <td>Yes</td> </tr> </tbody> </table> | | | | | | | | | | | | | Status | Availability | Normal Mode On, Idle Mode Off, Sleep Out | Yes | Normal Mode On, Idle Mode On, Sleep Out | Yes | Partial Mode On, Idle Mode Off, Sleep Out | Yes | Partial Mode On, Idle Mode On, Sleep Out | Yes | Sleep In | Yes |
| Status | Availability | | | | | | | | | | | | | | | | | | | | | | | | |
| Normal Mode On, Idle Mode Off, Sleep Out | Yes | | | | | | | | | | | | | | | | | | | | | | | | |
| Normal Mode On, Idle Mode On, Sleep Out | Yes | | | | | | | | | | | | | | | | | | | | | | | | |
| Partial Mode On, Idle Mode Off, Sleep Out | Yes | | | | | | | | | | | | | | | | | | | | | | | | |
| Partial Mode On, Idle Mode On, Sleep Out | Yes | | | | | | | | | | | | | | | | | | | | | | | | |
| Sleep In | Yes | | | | | | | | | | | | | | | | | | | | | | | | |
| Default | <table border="1"> <thead> <tr> <th>Status</th> <th>Default Value</th> </tr> </thead> <tbody> <tr> <td>Power On Sequence</td> <td>5Ah/69h/02h/00h</td> </tr> <tr> <td>S/W Reset</td> <td>5Ah/69h/02h/00h</td> </tr> <tr> <td>H/W Reset</td> <td>5Ah/69h/02h/00h</td> </tr> </tbody> </table> | | | | | | | | | | | | | Status | Default Value | Power On Sequence | 5Ah/69h/02h/00h | S/W Reset | 5Ah/69h/02h/00h | H/W Reset | 5Ah/69h/02h/00h | | | | |
| Status | Default Value | | | | | | | | | | | | | | | | | | | | | | | | |
| Power On Sequence | 5Ah/69h/02h/00h | | | | | | | | | | | | | | | | | | | | | | | | |
| S/W Reset | 5Ah/69h/02h/00h | | | | | | | | | | | | | | | | | | | | | | | | |
| H/W Reset | 5Ah/69h/02h/00h | | | | | | | | | | | | | | | | | | | | | | | | |

9.2.26 PVGAMCTRL (E0h): Positive Voltage Gamma Control

| E0H | PVGAMCTRL (Positive Voltage Gamma Control) | | | | | | | | | | | | |
|----------------------------|--|------------|-----|-------|-------|-------|-------|-------|-------|-------|-------|-------|-------|
| Inst / Para | D/CX | WRX | RDX | D17-8 | D7 | D6 | D5 | D4 | D3 | D2 | D1 | D0 | HEX |
| PVGAMCTRL | 0 | ↑ | 1 | - | 1 | 1 | 1 | 0 | 0 | 0 | 0 | 0 | (E0h) |
| 1 st Parameter | 1 | ↑ | 1 | - | V63P3 | V63P2 | V63P1 | V63P0 | V0P3 | V0P2 | V0P1 | V0P0 | |
| 2 nd Parameter | 1 | ↑ | 1 | - | 0 | 0 | V1P5 | V1P4 | V1P3 | V1P2 | V1P1 | V1P0 | |
| 3 rd Parameter | 1 | ↑ | 1 | - | 0 | 0 | V2P5 | V2P4 | V2P3 | V2P2 | V2P1 | V2P0 | |
| 4 th Parameter | 1 | ↑ | 1 | - | 0 | 0 | 0 | V4P4 | V4P3 | V4P2 | V4P1 | V4P0 | |
| 5 th Parameter | 1 | ↑ | 1 | - | 0 | 0 | 0 | V6P4 | V6P3 | V6P2 | V6P1 | V6P0 | |
| 6 th Parameter | 1 | ↑ | 1 | - | 0 | 0 | J0P1 | J0P0 | V13P3 | V13P2 | V13P1 | V13P0 | |
| 7 th Parameter | 1 | ↑ | 1 | - | 0 | V20P6 | V20P5 | V20P4 | V20P3 | V20P2 | V20P1 | V20P0 | |
| 8 th Parameter | 1 | ↑ | 1 | - | 0 | V36P2 | V36P1 | V36P0 | 0 | V27P2 | V27P1 | V27P0 | |
| 9 th Parameter | 1 | ↑ | 1 | - | 0 | V43P6 | V43P5 | V43P4 | V43P3 | V43P2 | V43P1 | V43P0 | |
| 10 th Parameter | 1 | ↑ | 1 | - | 0 | 0 | J1P1 | J1P0 | V50P3 | V50P2 | V50P1 | V50P0 | |
| 11 th Parameter | 1 | ↑ | 1 | - | 0 | 0 | 0 | V57P4 | V57P3 | V57P2 | V57P1 | V57P0 | |
| 12 th Parameter | 1 | ↑ | 1 | - | 0 | 0 | 0 | V59P4 | V59P3 | V59P2 | V59P1 | V59P0 | |
| 13 th Parameter | 1 | ↑ | 1 | - | 0 | 0 | V61P5 | V61P4 | V61P3 | V61P2 | V61P1 | V61P0 | |
| 14 th Parameter | 1 | ↑ | 1 | - | 0 | 0 | V62P5 | V62P4 | V62P3 | V62P2 | V62P1 | V62P0 | |
| Description | Please refer to 8.19. | | | | | | | | | | | | |
| | Default value: | | | | | | | | | | | | |
| | | Value(hex) | | | | | | | | | | | |
| | VP0[3:0] | 0 | | | | | | | | | | | |
| | VP1[5:0] | 2C | | | | | | | | | | | |
| | VP2[5:0] | 2E | | | | | | | | | | | |
| | VP4[4:0] | 15 | | | | | | | | | | | |
| | VP6[4:0] | 10 | | | | | | | | | | | |
| | VP13[3:0] | 9 | | | | | | | | | | | |
| | VP20[6:0] | 48 | | | | | | | | | | | |
| | VP27[2:0] | 3 | | | | | | | | | | | |
| | VP36[2:0] | 3 | | | | | | | | | | | |
| | VP43[6:0] | 53 | | | | | | | | | | | |
| | VP50[3:0] | B | | | | | | | | | | | |
| | VP57[4:0] | 19 | | | | | | | | | | | |
| | VP59[4:0] | 18 | | | | | | | | | | | |
| VP61[5:0] | 20 | | | | | | | | | | | | |
| VP62[5:0] | 25 | | | | | | | | | | | | |

| | VP63[3:0] | 7 | | | | | | | | | | | | | |
|---|--|---|--|--------|---------------|--|----------------------|---|----------------------|---|----------------------|--|-----|----------|-----|
| | JP0[1:0] | 0 | | | | | | | | | | | | | |
| | JP1[1:0] | 0 | | | | | | | | | | | | | |
| Register Availability | <table border="1"> <thead> <tr> <th>Status</th> <th>Availability</th> </tr> </thead> <tbody> <tr> <td>Normal Mode On, Idle Mode Off, Sleep Out</td> <td>Yes</td> </tr> <tr> <td>Normal Mode On, Idle Mode On, Sleep Out</td> <td>Yes</td> </tr> <tr> <td>Partial Mode On, Idle Mode Off, Sleep Out</td> <td>Yes</td> </tr> <tr> <td>Partial Mode On, Idle Mode On, Sleep Out</td> <td>Yes</td> </tr> <tr> <td>Sleep In</td> <td>Yes</td> </tr> </tbody> </table> | | | Status | Availability | Normal Mode On, Idle Mode Off, Sleep Out | Yes | Normal Mode On, Idle Mode On, Sleep Out | Yes | Partial Mode On, Idle Mode Off, Sleep Out | Yes | Partial Mode On, Idle Mode On, Sleep Out | Yes | Sleep In | Yes |
| Status | Availability | | | | | | | | | | | | | | |
| Normal Mode On, Idle Mode Off, Sleep Out | Yes | | | | | | | | | | | | | | |
| Normal Mode On, Idle Mode On, Sleep Out | Yes | | | | | | | | | | | | | | |
| Partial Mode On, Idle Mode Off, Sleep Out | Yes | | | | | | | | | | | | | | |
| Partial Mode On, Idle Mode On, Sleep Out | Yes | | | | | | | | | | | | | | |
| Sleep In | Yes | | | | | | | | | | | | | | |
| Default | <table border="1"> <thead> <tr> <th>Status</th> <th>Default Value</th> </tr> </thead> <tbody> <tr> <td>Power On Sequence</td> <td>Refer to description</td> </tr> <tr> <td>S/W Reset</td> <td>Refer to description</td> </tr> <tr> <td>H/W Reset</td> <td>Refer to description</td> </tr> </tbody> </table> | | | Status | Default Value | Power On Sequence | Refer to description | S/W Reset | Refer to description | H/W Reset | Refer to description | | | | |
| Status | Default Value | | | | | | | | | | | | | | |
| Power On Sequence | Refer to description | | | | | | | | | | | | | | |
| S/W Reset | Refer to description | | | | | | | | | | | | | | |
| H/W Reset | Refer to description | | | | | | | | | | | | | | |

9.2.27 NVGAMCTRL (E1h): Negative Voltage Gamma Control

| E1H | NVGAMCTRL (Negative Voltage Gamma Control) | | | | | | | | | | | | |
|----------------------------|--|------------|-----|-------|-------|-------|-------|-------|-------|-------|-------|-------|-------|
| Inst / Para | D/CX | WRX | RDX | D17-8 | D7 | D6 | D5 | D4 | D3 | D2 | D1 | D0 | HEX |
| NVGAMCTRL | 0 | ↑ | 1 | - | 1 | 1 | 1 | 0 | 0 | 0 | 0 | 1 | (E1h) |
| 1 st Parameter | 1 | ↑ | 1 | - | V63N3 | V63N2 | V63N1 | V63N0 | V0N3 | V0N2 | V0N1 | V0N0 | |
| 2 nd Parameter | 1 | ↑ | 1 | - | 0 | 0 | V1N5 | V1N4 | V1N3 | V1N2 | V1N1 | V1N0 | |
| 3 rd Parameter | 1 | ↑ | 1 | - | 0 | 0 | V2N5 | V2N4 | V2N3 | V2N2 | V2N1 | V2N0 | |
| 4 th Parameter | 1 | ↑ | 1 | - | 0 | 0 | 0 | V4N4 | V4N3 | V4N2 | V4N1 | V4N0 | |
| 5 th Parameter | 1 | ↑ | 1 | - | 0 | 0 | 0 | V6N4 | V6N3 | V6N2 | V6N1 | V6N0 | |
| 6 th Parameter | 1 | ↑ | 1 | - | 0 | 0 | J0N1 | J0N0 | V13N3 | V13N2 | V13N1 | V13N0 | |
| 7 th Parameter | 1 | ↑ | 1 | - | 0 | V20N6 | V20N5 | V20N4 | V20N3 | V20N2 | V20N1 | V20N0 | |
| 8 th Parameter | 1 | ↑ | 1 | - | 0 | V36N2 | V36N1 | V36N0 | 0 | V27N2 | V27N1 | V27N0 | |
| 9 th Parameter | 1 | ↑ | 1 | - | 0 | V43N6 | V43N5 | V43N4 | V43N3 | V43N2 | V43N1 | V43N0 | |
| 10 th Parameter | 1 | ↑ | 1 | - | 0 | 0 | J1N1 | J1N0 | V50N3 | V50N2 | V50N1 | V50N0 | |
| 11 th Parameter | 1 | ↑ | 1 | - | 0 | 0 | 0 | V57N4 | V57N3 | V57N2 | V57N1 | V57N0 | |
| 12 th Parameter | 1 | ↑ | 1 | - | 0 | 0 | 0 | V59N4 | V59N3 | V59N2 | V59N1 | V59N0 | |
| 13 th Parameter | 1 | ↑ | 1 | - | 0 | 0 | V61N5 | V61N4 | V61N3 | V61N2 | V61N1 | V61N0 | |
| 14 th Parameter | 1 | ↑ | 1 | - | 0 | 0 | V62N5 | V62N4 | V62N3 | V62N2 | V62N1 | V62N0 | |
| Description | Please refer to 8.19. | | | | | | | | | | | | |
| | Default value: | | | | | | | | | | | | |
| | | Value(hex) | | | | | | | | | | | |
| | | VN0[3:0] | | | | | | | | | | | |
| | | 0 | | | | | | | | | | | |
| | | VN1[5:0] | | | | | | | | | | | |
| | | 2C | | | | | | | | | | | |
| | | VN2[5:0] | | | | | | | | | | | |
| | | 2E | | | | | | | | | | | |
| | | VN4[4:0] | | | | | | | | | | | |
| | | 15 | | | | | | | | | | | |
| | | VN6[4:0] | | | | | | | | | | | |
| | | 10 | | | | | | | | | | | |
| | | VN13[3:0] | | | | | | | | | | | |
| | | 9 | | | | | | | | | | | |
| | | VN20[6:0] | | | | | | | | | | | |
| | 48 | | | | | | | | | | | | |
| | VN27[2:0] | | | | | | | | | | | | |
| | 3 | | | | | | | | | | | | |
| | VN36[2:0] | | | | | | | | | | | | |
| | 3 | | | | | | | | | | | | |
| | VN43[6:0] | | | | | | | | | | | | |
| | 53 | | | | | | | | | | | | |
| | VN50[3:0] | | | | | | | | | | | | |
| | B | | | | | | | | | | | | |
| | VN57[4:0] | | | | | | | | | | | | |
| | 19 | | | | | | | | | | | | |
| | VN59[4:0] | | | | | | | | | | | | |
| | 18 | | | | | | | | | | | | |
| | VN61[5:0] | | | | | | | | | | | | |
| | 20 | | | | | | | | | | | | |
| | VN62[5:0] | | | | | | | | | | | | |
| | 25 | | | | | | | | | | | | |

| | VN63[3:0] | 7 | | | | | | | | | | | | | |
|---|--|---|--|--------|---------------|--|----------------------|---|----------------------|---|----------------------|--|-----|----------|-----|
| | JN0[1:0] | 0 | | | | | | | | | | | | | |
| | JN1[1:0] | 0 | | | | | | | | | | | | | |
| Register Availability | <table border="1"> <thead> <tr> <th>Status</th> <th>Availability</th> </tr> </thead> <tbody> <tr> <td>Normal Mode On, Idle Mode Off, Sleep Out</td> <td>Yes</td> </tr> <tr> <td>Normal Mode On, Idle Mode On, Sleep Out</td> <td>Yes</td> </tr> <tr> <td>Partial Mode On, Idle Mode Off, Sleep Out</td> <td>Yes</td> </tr> <tr> <td>Partial Mode On, Idle Mode On, Sleep Out</td> <td>Yes</td> </tr> <tr> <td>Sleep In</td> <td>Yes</td> </tr> </tbody> </table> | | | Status | Availability | Normal Mode On, Idle Mode Off, Sleep Out | Yes | Normal Mode On, Idle Mode On, Sleep Out | Yes | Partial Mode On, Idle Mode Off, Sleep Out | Yes | Partial Mode On, Idle Mode On, Sleep Out | Yes | Sleep In | Yes |
| Status | Availability | | | | | | | | | | | | | | |
| Normal Mode On, Idle Mode Off, Sleep Out | Yes | | | | | | | | | | | | | | |
| Normal Mode On, Idle Mode On, Sleep Out | Yes | | | | | | | | | | | | | | |
| Partial Mode On, Idle Mode Off, Sleep Out | Yes | | | | | | | | | | | | | | |
| Partial Mode On, Idle Mode On, Sleep Out | Yes | | | | | | | | | | | | | | |
| Sleep In | Yes | | | | | | | | | | | | | | |
| Default | <table border="1"> <thead> <tr> <th>Status</th> <th>Default Value</th> </tr> </thead> <tbody> <tr> <td>Power On Sequence</td> <td>Refer to description</td> </tr> <tr> <td>S/W Reset</td> <td>Refer to description</td> </tr> <tr> <td>H/W Reset</td> <td>Refer to description</td> </tr> </tbody> </table> | | | Status | Default Value | Power On Sequence | Refer to description | S/W Reset | Refer to description | H/W Reset | Refer to description | | | | |
| Status | Default Value | | | | | | | | | | | | | | |
| Power On Sequence | Refer to description | | | | | | | | | | | | | | |
| S/W Reset | Refer to description | | | | | | | | | | | | | | |
| H/W Reset | Refer to description | | | | | | | | | | | | | | |

9.2.28 DGMLUTR (E2h): Digital Gamma Look-up Table for Red

| E2H | DGMLUTR (Digital Gamma Look-up Table for Red) | | | | | | | | | | | | | | | | | | | | | | | |
|----------------------------|--|----------------------|-----|-------|------------------|----|----|----|----|----|----|----|--------|---------------|--|----------------------|---|----------------------|---|-----|--|-----|----------|-----|
| Inst / Para | D/CX | WRX | RDX | D17-8 | D7 | D6 | D5 | D4 | D3 | D2 | D1 | D0 | HEX | | | | | | | | | | | |
| DGMLUTR | 0 | ↑ | 1 | - | 1 | 1 | 1 | 0 | 0 | 0 | 1 | 0 | (E2h) | | | | | | | | | | | |
| 1 st Parameter | 1 | ↑ | 1 | - | DGM_LUT_R00[7:0] | | | | | | | | | | | | | | | | | | | |
| 2 nd Parameter | 1 | ↑ | 1 | - | DGM_LUT_R01[7:0] | | | | | | | | | | | | | | | | | | | |
| ⋮ | 1 | ↑ | 1 | - | ⋮ | | | | | | | | | | | | | | | | | | | |
| 31 th Parameter | 1 | ↑ | 1 | - | DGM_LUT_R30[7:0] | | | | | | | | | | | | | | | | | | | |
| 32 th Parameter | 1 | ↑ | 1 | - | DGM_LUT_R31[7:0] | | | | | | | | | | | | | | | | | | | |
| ⋮ | 1 | ↑ | 1 | - | ⋮ | | | | | | | | | | | | | | | | | | | |
| 63 th Parameter | 1 | ↑ | 1 | - | DGM_LUT_R62[7:0] | | | | | | | | | | | | | | | | | | | |
| 64 th Parameter | 1 | ↑ | 1 | - | DGM_LUT_R63[7:0] | | | | | | | | | | | | | | | | | | | |
| Description | Please refer to 8.20. | | | | | | | | | | | | | | | | | | | | | | | |
| | Default value: | | | | | | | | | | | | | | | | | | | | | | | |
| | | Value(hex) | | | | | | | | | | | | | | | | | | | | | | |
| | DGM_LUT_R00[7:0] | 00h | | | | | | | | | | | | | | | | | | | | | | |
| | DGM_LUT_R01[7:0] | 04h | | | | | | | | | | | | | | | | | | | | | | |
| | ⋮ | ⋮ | | | | | | | | | | | | | | | | | | | | | | |
| | DGM_LUT_R30[7:0] | 78h | | | | | | | | | | | | | | | | | | | | | | |
| | DGM_LUT_R31[7:0] | 7Ch | | | | | | | | | | | | | | | | | | | | | | |
| | ⋮ | ⋮ | | | | | | | | | | | | | | | | | | | | | | |
| | DGM_LUT_R62[7:0] | F8h | | | | | | | | | | | | | | | | | | | | | | |
| DGM_LUT_R63[7:0] | FCh | | | | | | | | | | | | | | | | | | | | | | | |
| Register Availability | <table border="1"> <thead> <tr> <th>Status</th> <th>Availability</th> </tr> </thead> <tbody> <tr> <td>Normal Mode On, Idle Mode Off, Sleep Out</td> <td>Yes</td> </tr> <tr> <td>Normal Mode On, Idle Mode On, Sleep Out</td> <td>Yes</td> </tr> <tr> <td>Partial Mode On, Idle Mode Off, Sleep Out</td> <td>Yes</td> </tr> <tr> <td>Partial Mode On, Idle Mode On, Sleep Out</td> <td>Yes</td> </tr> <tr> <td>Sleep In</td> <td>Yes</td> </tr> </tbody> </table> | | | | | | | | | | | | Status | Availability | Normal Mode On, Idle Mode Off, Sleep Out | Yes | Normal Mode On, Idle Mode On, Sleep Out | Yes | Partial Mode On, Idle Mode Off, Sleep Out | Yes | Partial Mode On, Idle Mode On, Sleep Out | Yes | Sleep In | Yes |
| | Status | Availability | | | | | | | | | | | | | | | | | | | | | | |
| | Normal Mode On, Idle Mode Off, Sleep Out | Yes | | | | | | | | | | | | | | | | | | | | | | |
| | Normal Mode On, Idle Mode On, Sleep Out | Yes | | | | | | | | | | | | | | | | | | | | | | |
| | Partial Mode On, Idle Mode Off, Sleep Out | Yes | | | | | | | | | | | | | | | | | | | | | | |
| | Partial Mode On, Idle Mode On, Sleep Out | Yes | | | | | | | | | | | | | | | | | | | | | | |
| Sleep In | Yes | | | | | | | | | | | | | | | | | | | | | | | |
| Default | <table border="1"> <thead> <tr> <th>Status</th> <th>Default Value</th> </tr> </thead> <tbody> <tr> <td>Power On Sequence</td> <td>Refer to description</td> </tr> <tr> <td>S/W Reset</td> <td>Refer to description</td> </tr> </tbody> </table> | | | | | | | | | | | | Status | Default Value | Power On Sequence | Refer to description | S/W Reset | Refer to description | | | | | | |
| | Status | Default Value | | | | | | | | | | | | | | | | | | | | | | |
| | Power On Sequence | Refer to description | | | | | | | | | | | | | | | | | | | | | | |
| S/W Reset | Refer to description | | | | | | | | | | | | | | | | | | | | | | | |

| | | | |
|--|-----------|----------------------|--|
| | H/W Reset | Refer to description | |
|--|-----------|----------------------|--|

9.2.29 DGMLUTB (E3h): Digital Gamma Look-up Table for Blue

| E3H | DGMLUTB (Digital Gamma Look-up Table for Blue) | | | | | | | | | | | | | | | | | | | | | | | |
|----------------------------|--|----------------------|-----|-------|------------------|----|----|----|----|----|----|----|--------|---------------|--|----------------------|---|----------------------|---|-----|--|-----|----------|-----|
| Inst / Para | D/CX | WRX | RDX | D17-8 | D7 | D6 | D5 | D4 | D3 | D2 | D1 | D0 | HEX | | | | | | | | | | | |
| DGMLUTB | 0 | ↑ | 1 | - | 1 | 1 | 1 | 0 | 0 | 0 | 1 | 1 | (E3h) | | | | | | | | | | | |
| 1 st Parameter | 1 | ↑ | 1 | - | DGM_LUT_B00[7:0] | | | | | | | | | | | | | | | | | | | |
| 2 nd Parameter | 1 | ↑ | 1 | - | DGM_LUT_B01[7:0] | | | | | | | | | | | | | | | | | | | |
| ⋮ | 1 | ↑ | 1 | - | ⋮ | | | | | | | | | | | | | | | | | | | |
| 31 th Parameter | 1 | ↑ | 1 | - | DGM_LUT_B30[7:0] | | | | | | | | | | | | | | | | | | | |
| 32 th Parameter | 1 | ↑ | 1 | - | DGM_LUT_B31[7:0] | | | | | | | | | | | | | | | | | | | |
| ⋮ | 1 | ↑ | 1 | - | ⋮ | | | | | | | | | | | | | | | | | | | |
| 63 th Parameter | 1 | ↑ | 1 | - | DGM_LUT_B62[7:0] | | | | | | | | | | | | | | | | | | | |
| 64 th Parameter | 1 | ↑ | 1 | - | DGM_LUT_B63[7:0] | | | | | | | | | | | | | | | | | | | |
| Description | Please refer to 8.20. | | | | | | | | | | | | | | | | | | | | | | | |
| | Default value: | | | | | | | | | | | | | | | | | | | | | | | |
| | | Value(hex) | | | | | | | | | | | | | | | | | | | | | | |
| | DGM_LUT_B00[7:0] | 00h | | | | | | | | | | | | | | | | | | | | | | |
| | DGM_LUT_B01[7:0] | 04h | | | | | | | | | | | | | | | | | | | | | | |
| | ⋮ | ⋮ | | | | | | | | | | | | | | | | | | | | | | |
| | DGM_LUT_B30[7:0] | 78h | | | | | | | | | | | | | | | | | | | | | | |
| | DGM_LUT_B31[7:0] | 7Ch | | | | | | | | | | | | | | | | | | | | | | |
| | ⋮ | ⋮ | | | | | | | | | | | | | | | | | | | | | | |
| | DGM_LUT_B62[7:0] | F8h | | | | | | | | | | | | | | | | | | | | | | |
| DGM_LUT_B63[7:0] | FCh | | | | | | | | | | | | | | | | | | | | | | | |
| Register Availability | <table border="1"> <thead> <tr> <th>Status</th> <th>Availability</th> </tr> </thead> <tbody> <tr> <td>Normal Mode On, Idle Mode Off, Sleep Out</td> <td>Yes</td> </tr> <tr> <td>Normal Mode On, Idle Mode On, Sleep Out</td> <td>Yes</td> </tr> <tr> <td>Partial Mode On, Idle Mode Off, Sleep Out</td> <td>Yes</td> </tr> <tr> <td>Partial Mode On, Idle Mode On, Sleep Out</td> <td>Yes</td> </tr> <tr> <td>Sleep In</td> <td>Yes</td> </tr> </tbody> </table> | | | | | | | | | | | | Status | Availability | Normal Mode On, Idle Mode Off, Sleep Out | Yes | Normal Mode On, Idle Mode On, Sleep Out | Yes | Partial Mode On, Idle Mode Off, Sleep Out | Yes | Partial Mode On, Idle Mode On, Sleep Out | Yes | Sleep In | Yes |
| | Status | Availability | | | | | | | | | | | | | | | | | | | | | | |
| | Normal Mode On, Idle Mode Off, Sleep Out | Yes | | | | | | | | | | | | | | | | | | | | | | |
| | Normal Mode On, Idle Mode On, Sleep Out | Yes | | | | | | | | | | | | | | | | | | | | | | |
| | Partial Mode On, Idle Mode Off, Sleep Out | Yes | | | | | | | | | | | | | | | | | | | | | | |
| | Partial Mode On, Idle Mode On, Sleep Out | Yes | | | | | | | | | | | | | | | | | | | | | | |
| Sleep In | Yes | | | | | | | | | | | | | | | | | | | | | | | |
| Default | <table border="1"> <thead> <tr> <th>Status</th> <th>Default Value</th> </tr> </thead> <tbody> <tr> <td>Power On Sequence</td> <td>Refer to description</td> </tr> <tr> <td>S/W Reset</td> <td>Refer to description</td> </tr> </tbody> </table> | | | | | | | | | | | | Status | Default Value | Power On Sequence | Refer to description | S/W Reset | Refer to description | | | | | | |
| | Status | Default Value | | | | | | | | | | | | | | | | | | | | | | |
| | Power On Sequence | Refer to description | | | | | | | | | | | | | | | | | | | | | | |
| S/W Reset | Refer to description | | | | | | | | | | | | | | | | | | | | | | | |

| | | | |
|--|-----------|----------------------|--|
| | H/W Reset | Refer to description | |
|--|-----------|----------------------|--|

9.2.30 GATECTRL (E4h): Gate Control

| E4H | GATECTRL (Gate Control) | | | | | | | | | | | | | | | | | | | | | | | |
|--|--|--------------|-----|-------|----|----|------|-------------------------|------|------|------|------|--------|--------------|--|-----|---|-----|---|-----|--|-----|----------|-----|
| Inst / Para | D/CX | WRX | RDX | D17-8 | D7 | D6 | D5 | D4 | D3 | D2 | D1 | D0 | HEX | | | | | | | | | | | |
| GATECTRL | 0 | ↑ | 1 | - | 1 | 1 | 1 | 0 | 0 | 1 | 0 | 0 | (E4h) | | | | | | | | | | | |
| 1 st Parameter | 1 | ↑ | 1 | - | 0 | 0 | NL5 | NL4 | NL3 | NL2 | NL1 | NL0 | | | | | | | | | | | | |
| 2 nd Parameter | 1 | ↑ | 1 | - | 0 | 0 | SCN5 | SCN4 | SCN3 | SCN2 | SCN1 | SCN0 | | | | | | | | | | | | |
| 3 rd Parameter | 1 | ↑ | 1 | - | 0 | 0 | 0 | TMG | 0 | SM | 0 | GS | | | | | | | | | | | | |
| Description | NL[5:0]: Set the number of gate line. | | | | | | | | | | | | | | | | | | | | | | | |
| | NL[5:0] | | | | | | | The number of gate line | | | | | | | | | | | | | | | | |
| | 0x00 | | | | | | | 8 gate line | | | | | | | | | | | | | | | | |
| | 0x01 | | | | | | | 16 gate line | | | | | | | | | | | | | | | | |
| | 0x02 | | | | | | | 24 gate line | | | | | | | | | | | | | | | | |
| | ⋮ | | | | | | | ⋮ | | | | | | | | | | | | | | | | |
| | 0x27 | | | | | | | 320 gate line | | | | | | | | | | | | | | | | |
| | SCN[5:0]: set the first scan line | | | | | | | | | | | | | | | | | | | | | | | |
| | SCN[5:0] | | | | | | | The first scan line | | | | | | | | | | | | | | | | |
| | 0x00 | | | | | | | Gate 0 | | | | | | | | | | | | | | | | |
| | 0x01 | | | | | | | Gate 8 | | | | | | | | | | | | | | | | |
| | ⋮ | | | | | | | ⋮ | | | | | | | | | | | | | | | | |
| | 0x27 | | | | | | | Gate 312 | | | | | | | | | | | | | | | | |
| | TMG: Gate mirror selection TMG="0", local mirror as the number of gate line setting is not 320. TMG="1", full mirror as the number of gate line setting is 320. | | | | | | | | | | | | | | | | | | | | | | | |
| | SM: Gate interlace mode selection SM="0": Gate scan using interlace mode. SM="1": Gate scan using non-interlace mode. | | | | | | | | | | | | | | | | | | | | | | | |
| GS: Gate scan direction GS="0": Gate scan direction is 0→319 GS="1": Gate scan direction is 319→0 | | | | | | | | | | | | | | | | | | | | | | | | |
| Register Availability | <table border="1"> <thead> <tr> <th>Status</th> <th>Availability</th> </tr> </thead> <tbody> <tr> <td>Normal Mode On, Idle Mode Off, Sleep Out</td> <td>Yes</td> </tr> <tr> <td>Normal Mode On, Idle Mode On, Sleep Out</td> <td>Yes</td> </tr> <tr> <td>Partial Mode On, Idle Mode Off, Sleep Out</td> <td>Yes</td> </tr> <tr> <td>Partial Mode On, Idle Mode On, Sleep Out</td> <td>Yes</td> </tr> <tr> <td>Sleep In</td> <td>Yes</td> </tr> </tbody> </table> | | | | | | | | | | | | Status | Availability | Normal Mode On, Idle Mode Off, Sleep Out | Yes | Normal Mode On, Idle Mode On, Sleep Out | Yes | Partial Mode On, Idle Mode Off, Sleep Out | Yes | Partial Mode On, Idle Mode On, Sleep Out | Yes | Sleep In | Yes |
| | Status | Availability | | | | | | | | | | | | | | | | | | | | | | |
| | Normal Mode On, Idle Mode Off, Sleep Out | Yes | | | | | | | | | | | | | | | | | | | | | | |
| | Normal Mode On, Idle Mode On, Sleep Out | Yes | | | | | | | | | | | | | | | | | | | | | | |
| | Partial Mode On, Idle Mode Off, Sleep Out | Yes | | | | | | | | | | | | | | | | | | | | | | |
| | Partial Mode On, Idle Mode On, Sleep Out | Yes | | | | | | | | | | | | | | | | | | | | | | |
| Sleep In | Yes | | | | | | | | | | | | | | | | | | | | | | | |

| Default | <table border="1"> <thead> <tr> <th>Status</th> <th>Default Value</th> </tr> </thead> <tbody> <tr> <td>Power On Sequence</td> <td>27h/00h/10h</td> </tr> <tr> <td>S/W Reset</td> <td>27h/00h/10h</td> </tr> <tr> <td>H/W Reset</td> <td>27h/00h/10h</td> </tr> </tbody> </table> | Status | Default Value | Power On Sequence | 27h/00h/10h | S/W Reset | 27h/00h/10h | H/W Reset | 27h/00h/10h |
|-------------------|--|--------|---------------|-------------------|-------------|-----------|-------------|-----------|-------------|
| Status | Default Value | | | | | | | | |
| Power On Sequence | 27h/00h/10h | | | | | | | | |
| S/W Reset | 27h/00h/10h | | | | | | | | |
| H/W Reset | 27h/00h/10h | | | | | | | | |

9.2.31 SPI2EN (E7h): SPI2 Enable

| E7H | SPI2EN (SPI2 Enable) | | | | | | | | | | | | | | | | | | | | | | | | |
|---|--|-----|-----|-------|----|----|----|--------|----|----|----|-------|-------|--------|---------------|--|-----|---|-----|---|-----|--|-----|----------|-----|
| Inst / Para | D/CX | WRX | RDX | D17-8 | D7 | D6 | D5 | D4 | D3 | D2 | D1 | D0 | HEX | | | | | | | | | | | | |
| SPI2EN | 0 | ↑ | 1 | - | 1 | 1 | 1 | 0 | 0 | 1 | 1 | 1 | (E7h) | | | | | | | | | | | | |
| Parameter | 1 | ↑ | 1 | - | 0 | 0 | 0 | SPI2EN | 0 | 0 | 0 | SPIRD | | | | | | | | | | | | | |
| Description | <p>SPI2EN: 2 data lane enable control. "0": disable 2 data lane mode. "1": enable 2 data lane mode</p> <p>SPIRD: SPI read enable for command table 2 "0": commands in command table 2 can not be read in serial interface "1": commands in command table 2 can be read in serial interface.</p> <p>Note: It needs one dummy clock if commands in command table 2 need to be read in serial interface.</p> | | | | | | | | | | | | | | | | | | | | | | | | |
| Register Availability | <table border="1"> <thead> <tr> <th>Status</th> <th>Availability</th> </tr> </thead> <tbody> <tr> <td>Normal Mode On, Idle Mode Off, Sleep Out</td> <td>Yes</td> </tr> <tr> <td>Normal Mode On, Idle Mode On, Sleep Out</td> <td>Yes</td> </tr> <tr> <td>Partial Mode On, Idle Mode Off, Sleep Out</td> <td>Yes</td> </tr> <tr> <td>Partial Mode On, Idle Mode On, Sleep Out</td> <td>Yes</td> </tr> <tr> <td>Sleep In</td> <td>Yes</td> </tr> </tbody> </table> | | | | | | | | | | | | | Status | Availability | Normal Mode On, Idle Mode Off, Sleep Out | Yes | Normal Mode On, Idle Mode On, Sleep Out | Yes | Partial Mode On, Idle Mode Off, Sleep Out | Yes | Partial Mode On, Idle Mode On, Sleep Out | Yes | Sleep In | Yes |
| Status | Availability | | | | | | | | | | | | | | | | | | | | | | | | |
| Normal Mode On, Idle Mode Off, Sleep Out | Yes | | | | | | | | | | | | | | | | | | | | | | | | |
| Normal Mode On, Idle Mode On, Sleep Out | Yes | | | | | | | | | | | | | | | | | | | | | | | | |
| Partial Mode On, Idle Mode Off, Sleep Out | Yes | | | | | | | | | | | | | | | | | | | | | | | | |
| Partial Mode On, Idle Mode On, Sleep Out | Yes | | | | | | | | | | | | | | | | | | | | | | | | |
| Sleep In | Yes | | | | | | | | | | | | | | | | | | | | | | | | |
| Default | <table border="1"> <thead> <tr> <th>Status</th> <th>Default Value</th> </tr> </thead> <tbody> <tr> <td>Power On Sequence</td> <td>00h</td> </tr> <tr> <td>S/W Reset</td> <td>00h</td> </tr> <tr> <td>H/W Reset</td> <td>00h</td> </tr> </tbody> </table> | | | | | | | | | | | | | Status | Default Value | Power On Sequence | 00h | S/W Reset | 00h | H/W Reset | 00h | | | | |
| Status | Default Value | | | | | | | | | | | | | | | | | | | | | | | | |
| Power On Sequence | 00h | | | | | | | | | | | | | | | | | | | | | | | | |
| S/W Reset | 00h | | | | | | | | | | | | | | | | | | | | | | | | |
| H/W Reset | 00h | | | | | | | | | | | | | | | | | | | | | | | | |

9.2.32 PWCTRL2 (E8h): Power Control 2

| E8H | PWCTRL2 (Power Control 2) | | | | | | | | | | | | | | | | | | | | | | | | |
|-----------------------|--|---------------|-----|-------|----|----|--------|--------|----|----|----------|----------|-------|--------|---------------|--|-----|---|-----|---|-----|--|-----|----------|-----|
| Inst / Para | D/CX | WRX | RDX | D17-8 | D7 | D6 | D5 | D4 | D3 | D2 | D1 | D0 | HEX | | | | | | | | | | | | |
| PWCTRL2 | 0 | ↑ | 1 | - | 1 | 1 | 1 | 0 | 1 | 0 | 0 | 0 | (E8h) | | | | | | | | | | | | |
| Parameter | 1 | ↑ | 1 | - | 1 | 0 | SBCLK1 | SBCLK0 | 0 | 0 | STP14CK1 | STP14CK0 | | | | | | | | | | | | | |
| Description | SBCLK[1:0]: Source booster clock selection | | | | | | | | | | | | | | | | | | | | | | | | |
| | SBCLK[1:0] | | | | | | | | | | | | | | | | | | | | | | | | |
| | 00h SBCLK DIV 2 | | | | | | | | | | | | | | | | | | | | | | | | |
| | 01h SBCLK DIV 3 | | | | | | | | | | | | | | | | | | | | | | | | |
| | 02h SBCLK DIV 4 | | | | | | | | | | | | | | | | | | | | | | | | |
| | 03h SBCLK DIV 6 | | | | | | | | | | | | | | | | | | | | | | | | |
| | STP14CK[1:0]: STP14(AVDD/AVCL) booster clock selection | | | | | | | | | | | | | | | | | | | | | | | | |
| | STP14CK[1:0] | | | | | | | | | | | | | | | | | | | | | | | | |
| | 00h BCLK DIV 2 | | | | | | | | | | | | | | | | | | | | | | | | |
| | 01h BCLK DIV 3 | | | | | | | | | | | | | | | | | | | | | | | | |
| 02h BCLK DIV 4 | | | | | | | | | | | | | | | | | | | | | | | | | |
| 03h BCLK DIV 6 | | | | | | | | | | | | | | | | | | | | | | | | | |
| Register Availability | <table border="1"> <thead> <tr> <th>Status</th> <th>Availability</th> </tr> </thead> <tbody> <tr> <td>Normal Mode On, Idle Mode Off, Sleep Out</td> <td>Yes</td> </tr> <tr> <td>Normal Mode On, Idle Mode On, Sleep Out</td> <td>Yes</td> </tr> <tr> <td>Partial Mode On, Idle Mode Off, Sleep Out</td> <td>Yes</td> </tr> <tr> <td>Partial Mode On, Idle Mode On, Sleep Out</td> <td>Yes</td> </tr> <tr> <td>Sleep In</td> <td>Yes</td> </tr> </tbody> </table> | | | | | | | | | | | | | Status | Availability | Normal Mode On, Idle Mode Off, Sleep Out | Yes | Normal Mode On, Idle Mode On, Sleep Out | Yes | Partial Mode On, Idle Mode Off, Sleep Out | Yes | Partial Mode On, Idle Mode On, Sleep Out | Yes | Sleep In | Yes |
| | Status | Availability | | | | | | | | | | | | | | | | | | | | | | | |
| | Normal Mode On, Idle Mode Off, Sleep Out | Yes | | | | | | | | | | | | | | | | | | | | | | | |
| | Normal Mode On, Idle Mode On, Sleep Out | Yes | | | | | | | | | | | | | | | | | | | | | | | |
| | Partial Mode On, Idle Mode Off, Sleep Out | Yes | | | | | | | | | | | | | | | | | | | | | | | |
| | Partial Mode On, Idle Mode On, Sleep Out | Yes | | | | | | | | | | | | | | | | | | | | | | | |
| Sleep In | Yes | | | | | | | | | | | | | | | | | | | | | | | | |
| Default | <table border="1"> <thead> <tr> <th>Status</th> <th>Default Value</th> </tr> </thead> <tbody> <tr> <td>Power On Sequence</td> <td>93h</td> </tr> <tr> <td>S/W Reset</td> <td>93h</td> </tr> <tr> <td>H/W Reset</td> <td>93h</td> </tr> </tbody> </table> | | | | | | | | | | | | | Status | Default Value | Power On Sequence | 93h | S/W Reset | 93h | H/W Reset | 93h | | | | |
| | Status | Default Value | | | | | | | | | | | | | | | | | | | | | | | |
| | Power On Sequence | 93h | | | | | | | | | | | | | | | | | | | | | | | |
| | S/W Reset | 93h | | | | | | | | | | | | | | | | | | | | | | | |
| H/W Reset | 93h | | | | | | | | | | | | | | | | | | | | | | | | |

9.2.33 EQCTRL (E9h): Equalize time control

| E9H | EQCTRL (Equalize time Control) | | | | | | | | | | | | | | | | | | | | | | | | | |
|---|---|--|--------------|-------|----|----|----|--------|--------|--------|--------|--------|-------|--|--------|--------------|--|-----|---|-----|---|-----|--|-----|----------|-----|
| Inst / Para | D/CX | WRX | RDX | D17-8 | D7 | D6 | D5 | D4 | D3 | D2 | D1 | D0 | HEX | | | | | | | | | | | | | |
| EQCTRL | 0 | ↑ | 1 | - | 1 | 1 | 1 | 0 | 1 | 0 | 0 | 1 | (E9h) | | | | | | | | | | | | | |
| 1 st Parameter | 1 | ↑ | 1 | - | 0 | 0 | 0 | SEQ4 | SEQ3 | SEQ2 | SEQ1 | SEQ0 | | | | | | | | | | | | | | |
| 2 nd Parameter | 1 | ↑ | 1 | - | 0 | 0 | 0 | SPRET4 | SPRET3 | SPRET2 | SPRET1 | SPRET0 | | | | | | | | | | | | | | |
| 3 rd Parameter | 1 | ↑ | 1 | - | 0 | 0 | 0 | 0 | GEQ3 | GEQ2 | GEQ1 | GEQ0 | | | | | | | | | | | | | | |
| Description | <p>SEQ[4:0]: Source Equalize Time Source equalize time: SEQ[4:0]*400ns, SEQ[4:0]=0x01~0x1f In 18bit RGB interface: Source equalize time: SEQ[4:0]*4*1period of dotclk, SEQ[4:0]=0x01~0x1f In 6bit RGB interface: Source equalize time: SEQ[4:0]*4*3*1period of dotclk, SEQ[4:0]=0x01~0x1f</p> <p>SPRET[4:0]: Source Pre-drive Time Source pre-drive time: SPRET[4:0]*400ns, SPRET[4:0]=0x01~0x1f In 18bit RGB interface: Source equalize time: SPRET[4:0]*4*1period of dotclk, SPRET[4:0]=0x01~0x1f In 6bit RGB interface: Source equalize time: SPRET[4:0]*4*3*1period of dotclk, SPRET[4:0]=0x01~0x1f</p> <p>GEQ[3:0]: Gate Equalize Time Gate equalize time: GEQ[3:0]*400ns, GEQ[3:0]=0x00~0x0f In 18bit RGB interface: Gate equalize time: GEQ[3:0]*4*1period of dotclk, GEQ[3:0]=0x00~0x0f In 6bit RGB interface: Gate equalize time: GEQ[3:0]*4*3*1period of dotclk, GEQ[3:0]=0x00~0x0f</p> | | | | | | | | | | | | | | | | | | | | | | | | | |
| | Register Availability | <table border="1"> <thead> <tr> <th>Status</th> <th>Availability</th> </tr> </thead> <tbody> <tr> <td>Normal Mode On, Idle Mode Off, Sleep Out</td> <td>Yes</td> </tr> <tr> <td>Normal Mode On, Idle Mode On, Sleep Out</td> <td>Yes</td> </tr> <tr> <td>Partial Mode On, Idle Mode Off, Sleep Out</td> <td>Yes</td> </tr> <tr> <td>Partial Mode On, Idle Mode On, Sleep Out</td> <td>Yes</td> </tr> <tr> <td>Sleep In</td> <td>Yes</td> </tr> </tbody> </table> | | | | | | | | | | | | | Status | Availability | Normal Mode On, Idle Mode Off, Sleep Out | Yes | Normal Mode On, Idle Mode On, Sleep Out | Yes | Partial Mode On, Idle Mode Off, Sleep Out | Yes | Partial Mode On, Idle Mode On, Sleep Out | Yes | Sleep In | Yes |
| | | Status | Availability | | | | | | | | | | | | | | | | | | | | | | | |
| Normal Mode On, Idle Mode Off, Sleep Out | | Yes | | | | | | | | | | | | | | | | | | | | | | | | |
| Normal Mode On, Idle Mode On, Sleep Out | | Yes | | | | | | | | | | | | | | | | | | | | | | | | |
| Partial Mode On, Idle Mode Off, Sleep Out | | Yes | | | | | | | | | | | | | | | | | | | | | | | | |
| Partial Mode On, Idle Mode On, Sleep Out | | Yes | | | | | | | | | | | | | | | | | | | | | | | | |
| Sleep In | Yes | | | | | | | | | | | | | | | | | | | | | | | | | |
| | | | | | | | | | | | | | | | | | | | | | | | | | | |
| | | | | | | | | | | | | | | | | | | | | | | | | | | |
| | | | | | | | | | | | | | | | | | | | | | | | | | | |
| | | | | | | | | | | | | | | | | | | | | | | | | | | |

| | | |
|---------|-------------------|---------------|
| Default | Status | Default Value |
| | Power On Sequence | 11h/11h/08h |
| | S/W Reset | 11h/11h/08h |
| | H/W Reset | 11h/11h/08h |

9.2.34 PROMCTRL (ECh): Program Mode Control

| ECH | PROMCTRL (Program Mode Control) | | | | | | | | | | | | | | | | | | | | | | | | |
|---|--|-----|-----|-------|----|----|----|----|----|----|----|----|-------|--------|---------------|--|-----|---|-----|---|-----|--|-----|----------|-----|
| Inst / Para | D/CX | WRX | RDX | D17-8 | D7 | D6 | D5 | D4 | D3 | D2 | D1 | D0 | HEX | | | | | | | | | | | | |
| PROMCTRL | 0 | ↑ | 1 | - | 1 | 1 | 1 | 0 | 1 | 1 | 0 | 0 | (ECh) | | | | | | | | | | | | |
| Parameter | 1 | ↑ | 1 | - | 0 | 0 | 0 | 0 | 0 | 0 | 0 | 1 | | | | | | | | | | | | | |
| Description | When program mode enable, this command need be set. | | | | | | | | | | | | | | | | | | | | | | | | |
| Register Availability | <table border="1"> <thead> <tr> <th>Status</th> <th>Availability</th> </tr> </thead> <tbody> <tr> <td>Normal Mode On, Idle Mode Off, Sleep Out</td> <td>Yes</td> </tr> <tr> <td>Normal Mode On, Idle Mode On, Sleep Out</td> <td>Yes</td> </tr> <tr> <td>Partial Mode On, Idle Mode Off, Sleep Out</td> <td>Yes</td> </tr> <tr> <td>Partial Mode On, Idle Mode On, Sleep Out</td> <td>Yes</td> </tr> <tr> <td>Sleep In</td> <td>Yes</td> </tr> </tbody> </table> | | | | | | | | | | | | | Status | Availability | Normal Mode On, Idle Mode Off, Sleep Out | Yes | Normal Mode On, Idle Mode On, Sleep Out | Yes | Partial Mode On, Idle Mode Off, Sleep Out | Yes | Partial Mode On, Idle Mode On, Sleep Out | Yes | Sleep In | Yes |
| Status | Availability | | | | | | | | | | | | | | | | | | | | | | | | |
| Normal Mode On, Idle Mode Off, Sleep Out | Yes | | | | | | | | | | | | | | | | | | | | | | | | |
| Normal Mode On, Idle Mode On, Sleep Out | Yes | | | | | | | | | | | | | | | | | | | | | | | | |
| Partial Mode On, Idle Mode Off, Sleep Out | Yes | | | | | | | | | | | | | | | | | | | | | | | | |
| Partial Mode On, Idle Mode On, Sleep Out | Yes | | | | | | | | | | | | | | | | | | | | | | | | |
| Sleep In | Yes | | | | | | | | | | | | | | | | | | | | | | | | |
| Default | <table border="1"> <thead> <tr> <th>Status</th> <th>Default Value</th> </tr> </thead> <tbody> <tr> <td>Power On Sequence</td> <td>00h</td> </tr> <tr> <td>S/W Reset</td> <td>00h</td> </tr> <tr> <td>H/W Reset</td> <td>00h</td> </tr> </tbody> </table> | | | | | | | | | | | | | Status | Default Value | Power On Sequence | 00h | S/W Reset | 00h | H/W Reset | 00h | | | | |
| Status | Default Value | | | | | | | | | | | | | | | | | | | | | | | | |
| Power On Sequence | 00h | | | | | | | | | | | | | | | | | | | | | | | | |
| S/W Reset | 00h | | | | | | | | | | | | | | | | | | | | | | | | |
| H/W Reset | 00h | | | | | | | | | | | | | | | | | | | | | | | | |

9.2.35 PROMEN (FAh): Program Mode Enable

| FAH | PROMEN (Program Mode Enable) | | | | | | | | | | | | | | | | | | | | | | | | |
|---|--|-----|-----|-------|----|----|----|----|----|--------|----|----|-------|--------|---------------|--|-----|---|-----|---|-----|--|-----|----------|-----|
| Inst / Para | D/CX | WRX | RDX | D17-8 | D7 | D6 | D5 | D4 | D3 | D2 | D1 | D0 | HEX | | | | | | | | | | | | |
| PROMEN | 0 | ↑ | 1 | - | 1 | 1 | 1 | 1 | 1 | 0 | 1 | 0 | (FAh) | | | | | | | | | | | | |
| 1 st Parameter | 1 | ↑ | 1 | - | 0 | 1 | 0 | 1 | 1 | 0 | 1 | 0 | (5Ah) | | | | | | | | | | | | |
| 2 nd Parameter | 1 | ↑ | 1 | - | 0 | 1 | 1 | 0 | 1 | 0 | 0 | 1 | (69h) | | | | | | | | | | | | |
| 3 rd Parameter | 1 | ↑ | 1 | - | 1 | 1 | 1 | 0 | 1 | 1 | 1 | 0 | (EEh) | | | | | | | | | | | | |
| 4 th Parameter | 1 | ↑ | 1 | - | 0 | 0 | 0 | 0 | 0 | PROMEN | 0 | 0 | | | | | | | | | | | | | |
| Description | <p>PROMEN: "0": Program mode disable "1": Program mode enable</p> | | | | | | | | | | | | | | | | | | | | | | | | |
| Register Availability | <table border="1"> <thead> <tr> <th>Status</th> <th>Availability</th> </tr> </thead> <tbody> <tr> <td>Normal Mode On, Idle Mode Off, Sleep Out</td> <td>Yes</td> </tr> <tr> <td>Normal Mode On, Idle Mode On, Sleep Out</td> <td>Yes</td> </tr> <tr> <td>Partial Mode On, Idle Mode Off, Sleep Out</td> <td>Yes</td> </tr> <tr> <td>Partial Mode On, Idle Mode On, Sleep Out</td> <td>Yes</td> </tr> <tr> <td>Sleep In</td> <td>Yes</td> </tr> </tbody> </table> | | | | | | | | | | | | | Status | Availability | Normal Mode On, Idle Mode Off, Sleep Out | Yes | Normal Mode On, Idle Mode On, Sleep Out | Yes | Partial Mode On, Idle Mode Off, Sleep Out | Yes | Partial Mode On, Idle Mode On, Sleep Out | Yes | Sleep In | Yes |
| Status | Availability | | | | | | | | | | | | | | | | | | | | | | | | |
| Normal Mode On, Idle Mode Off, Sleep Out | Yes | | | | | | | | | | | | | | | | | | | | | | | | |
| Normal Mode On, Idle Mode On, Sleep Out | Yes | | | | | | | | | | | | | | | | | | | | | | | | |
| Partial Mode On, Idle Mode Off, Sleep Out | Yes | | | | | | | | | | | | | | | | | | | | | | | | |
| Partial Mode On, Idle Mode On, Sleep Out | Yes | | | | | | | | | | | | | | | | | | | | | | | | |
| Sleep In | Yes | | | | | | | | | | | | | | | | | | | | | | | | |
| Default | <table border="1"> <thead> <tr> <th>Status</th> <th>Default Value</th> </tr> </thead> <tbody> <tr> <td>Power On Sequence</td> <td>00h</td> </tr> <tr> <td>S/W Reset</td> <td>00h</td> </tr> <tr> <td>H/W Reset</td> <td>00h</td> </tr> </tbody> </table> | | | | | | | | | | | | | Status | Default Value | Power On Sequence | 00h | S/W Reset | 00h | H/W Reset | 00h | | | | |
| Status | Default Value | | | | | | | | | | | | | | | | | | | | | | | | |
| Power On Sequence | 00h | | | | | | | | | | | | | | | | | | | | | | | | |
| S/W Reset | 00h | | | | | | | | | | | | | | | | | | | | | | | | |
| H/W Reset | 00h | | | | | | | | | | | | | | | | | | | | | | | | |

9.2.36 NVMSET (FCh): NVM Setting

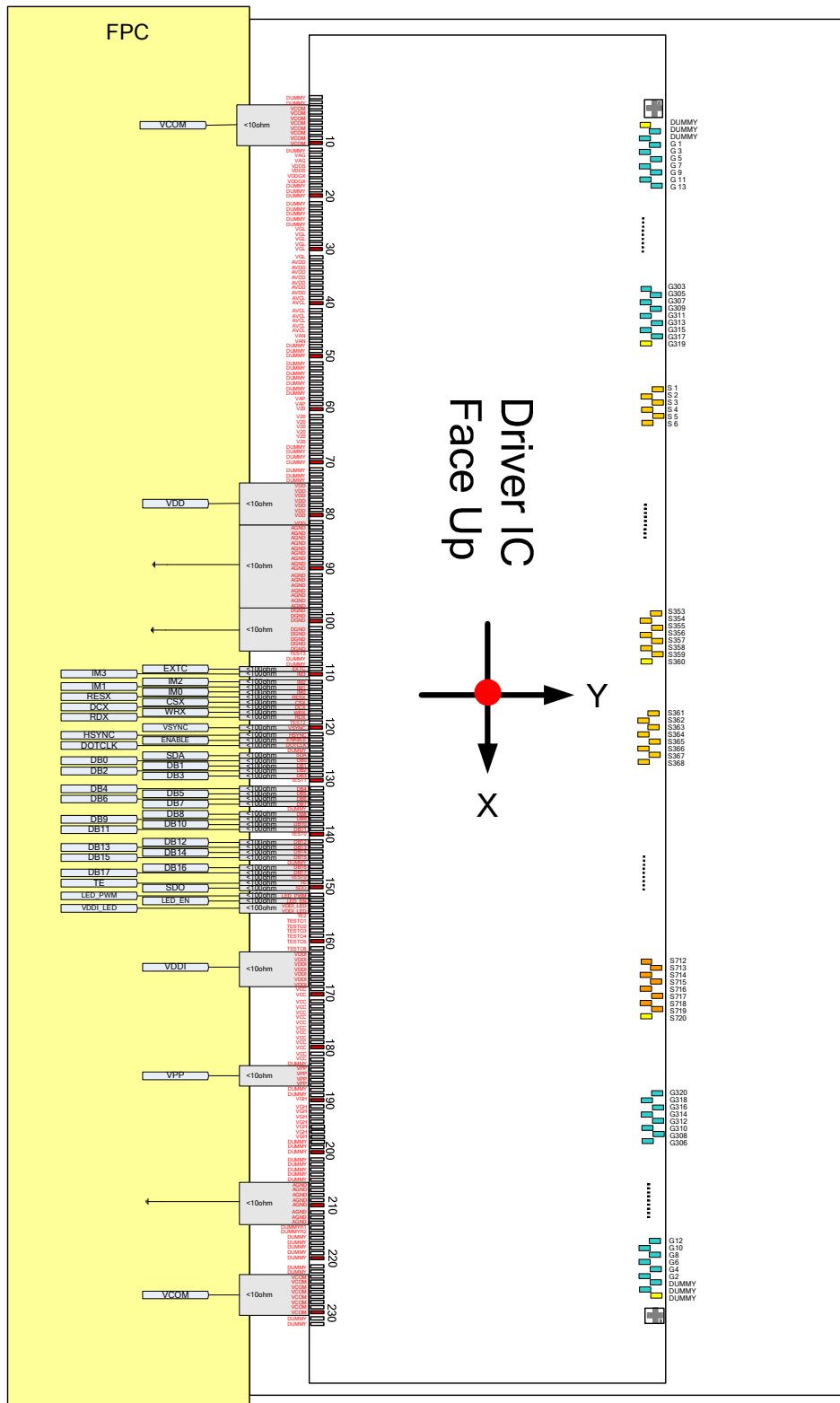
| FCH | NVMSET (NVM Setting) | | | | | | | | | | | | | | | | | | | | | | | | |
|---|--|-----|-----|-------|------|------|------|------|------|------|------|------|-------|--------|---------------|--|---------|---|---------|---|---------|--|-----|----------|-----|
| Inst / Para | D/CX | WRX | RDX | D17-8 | D7 | D6 | D5 | D4 | D3 | D2 | D1 | D0 | HEX | | | | | | | | | | | | |
| NVMSET | 0 | ↑ | 1 | - | 1 | 1 | 1 | 1 | 1 | 1 | 0 | 0 | (FCh) | | | | | | | | | | | | |
| 1 st Parameter | 1 | ↑ | 1 | - | ADD7 | ADD6 | ADD5 | ADD4 | ADD3 | ADD2 | ADD1 | ADD0 | | | | | | | | | | | | | |
| 2 nd Parameter | 1 | ↑ | 1 | - | D7 | D6 | D5 | D4 | D3 | D2 | D1 | D0 | | | | | | | | | | | | | |
| Description | ADD[7:0]: NVM address setting D[7:0]: Data setting of NVM address | | | | | | | | | | | | | | | | | | | | | | | | |
| Register Availability | <table border="1"> <thead> <tr> <th>Status</th> <th>Availability</th> </tr> </thead> <tbody> <tr> <td>Normal Mode On, Idle Mode Off, Sleep Out</td> <td>Yes</td> </tr> <tr> <td>Normal Mode On, Idle Mode On, Sleep Out</td> <td>Yes</td> </tr> <tr> <td>Partial Mode On, Idle Mode Off, Sleep Out</td> <td>Yes</td> </tr> <tr> <td>Partial Mode On, Idle Mode On, Sleep Out</td> <td>Yes</td> </tr> <tr> <td>Sleep In</td> <td>Yes</td> </tr> </tbody> </table> | | | | | | | | | | | | | Status | Availability | Normal Mode On, Idle Mode Off, Sleep Out | Yes | Normal Mode On, Idle Mode On, Sleep Out | Yes | Partial Mode On, Idle Mode Off, Sleep Out | Yes | Partial Mode On, Idle Mode On, Sleep Out | Yes | Sleep In | Yes |
| Status | Availability | | | | | | | | | | | | | | | | | | | | | | | | |
| Normal Mode On, Idle Mode Off, Sleep Out | Yes | | | | | | | | | | | | | | | | | | | | | | | | |
| Normal Mode On, Idle Mode On, Sleep Out | Yes | | | | | | | | | | | | | | | | | | | | | | | | |
| Partial Mode On, Idle Mode Off, Sleep Out | Yes | | | | | | | | | | | | | | | | | | | | | | | | |
| Partial Mode On, Idle Mode On, Sleep Out | Yes | | | | | | | | | | | | | | | | | | | | | | | | |
| Sleep In | Yes | | | | | | | | | | | | | | | | | | | | | | | | |
| Default | <table border="1"> <thead> <tr> <th>Status</th> <th>Default Value</th> </tr> </thead> <tbody> <tr> <td>Power On Sequence</td> <td>00h/00h</td> </tr> <tr> <td>S/W Reset</td> <td>00h/00h</td> </tr> <tr> <td>H/W Reset</td> <td>00h/00h</td> </tr> </tbody> </table> | | | | | | | | | | | | | Status | Default Value | Power On Sequence | 00h/00h | S/W Reset | 00h/00h | H/W Reset | 00h/00h | | | | |
| Status | Default Value | | | | | | | | | | | | | | | | | | | | | | | | |
| Power On Sequence | 00h/00h | | | | | | | | | | | | | | | | | | | | | | | | |
| S/W Reset | 00h/00h | | | | | | | | | | | | | | | | | | | | | | | | |
| H/W Reset | 00h/00h | | | | | | | | | | | | | | | | | | | | | | | | |

9.2.37 PROMACT (FEh): Program action

| FEH | PROMACT (Program action) | | | | | | | | | | | | | | | | | | | | | | | | |
|---|--|-----|-----|-------|----|----|----|----|----|----|----|----|-------|--------|---------------|--|---------|---|---------|---|---------|--|-----|----------|-----|
| Inst / Para | D/CX | WRX | RDX | D17-8 | D7 | D6 | D5 | D4 | D3 | D2 | D1 | D0 | HEX | | | | | | | | | | | | |
| PROMACT | 0 | ↑ | 1 | - | 1 | 1 | 1 | 1 | 1 | 1 | 1 | 0 | (FEh) | | | | | | | | | | | | |
| 1 st Parameter | 1 | ↑ | 1 | - | 0 | 0 | 1 | 0 | 1 | 0 | 0 | 1 | (29h) | | | | | | | | | | | | |
| 2 nd Parameter | 1 | ↑ | 1 | - | 1 | 0 | 1 | 0 | 0 | 1 | 0 | 1 | (A5h) | | | | | | | | | | | | |
| Description | When program mode enable, this command need be set. | | | | | | | | | | | | | | | | | | | | | | | | |
| Register Availability | <table border="1"> <thead> <tr> <th>Status</th> <th>Availability</th> </tr> </thead> <tbody> <tr> <td>Normal Mode On, Idle Mode Off, Sleep Out</td> <td>Yes</td> </tr> <tr> <td>Normal Mode On, Idle Mode On, Sleep Out</td> <td>Yes</td> </tr> <tr> <td>Partial Mode On, Idle Mode Off, Sleep Out</td> <td>Yes</td> </tr> <tr> <td>Partial Mode On, Idle Mode On, Sleep Out</td> <td>Yes</td> </tr> <tr> <td>Sleep In</td> <td>Yes</td> </tr> </tbody> </table> | | | | | | | | | | | | | Status | Availability | Normal Mode On, Idle Mode Off, Sleep Out | Yes | Normal Mode On, Idle Mode On, Sleep Out | Yes | Partial Mode On, Idle Mode Off, Sleep Out | Yes | Partial Mode On, Idle Mode On, Sleep Out | Yes | Sleep In | Yes |
| Status | Availability | | | | | | | | | | | | | | | | | | | | | | | | |
| Normal Mode On, Idle Mode Off, Sleep Out | Yes | | | | | | | | | | | | | | | | | | | | | | | | |
| Normal Mode On, Idle Mode On, Sleep Out | Yes | | | | | | | | | | | | | | | | | | | | | | | | |
| Partial Mode On, Idle Mode Off, Sleep Out | Yes | | | | | | | | | | | | | | | | | | | | | | | | |
| Partial Mode On, Idle Mode On, Sleep Out | Yes | | | | | | | | | | | | | | | | | | | | | | | | |
| Sleep In | Yes | | | | | | | | | | | | | | | | | | | | | | | | |
| Default | <table border="1"> <thead> <tr> <th>Status</th> <th>Default Value</th> </tr> </thead> <tbody> <tr> <td>Power On Sequence</td> <td>00h/00h</td> </tr> <tr> <td>S/W Reset</td> <td>00h/00h</td> </tr> <tr> <td>H/W Reset</td> <td>00h/00h</td> </tr> </tbody> </table> | | | | | | | | | | | | | Status | Default Value | Power On Sequence | 00h/00h | S/W Reset | 00h/00h | H/W Reset | 00h/00h | | | | |
| Status | Default Value | | | | | | | | | | | | | | | | | | | | | | | | |
| Power On Sequence | 00h/00h | | | | | | | | | | | | | | | | | | | | | | | | |
| S/W Reset | 00h/00h | | | | | | | | | | | | | | | | | | | | | | | | |
| H/W Reset | 00h/00h | | | | | | | | | | | | | | | | | | | | | | | | |

10 APPLICATION

10.1 Configuration of Power Supply Circuit



10.2 Voltage Generation

The following is the ST7789V2 analog voltage pattern diagram:

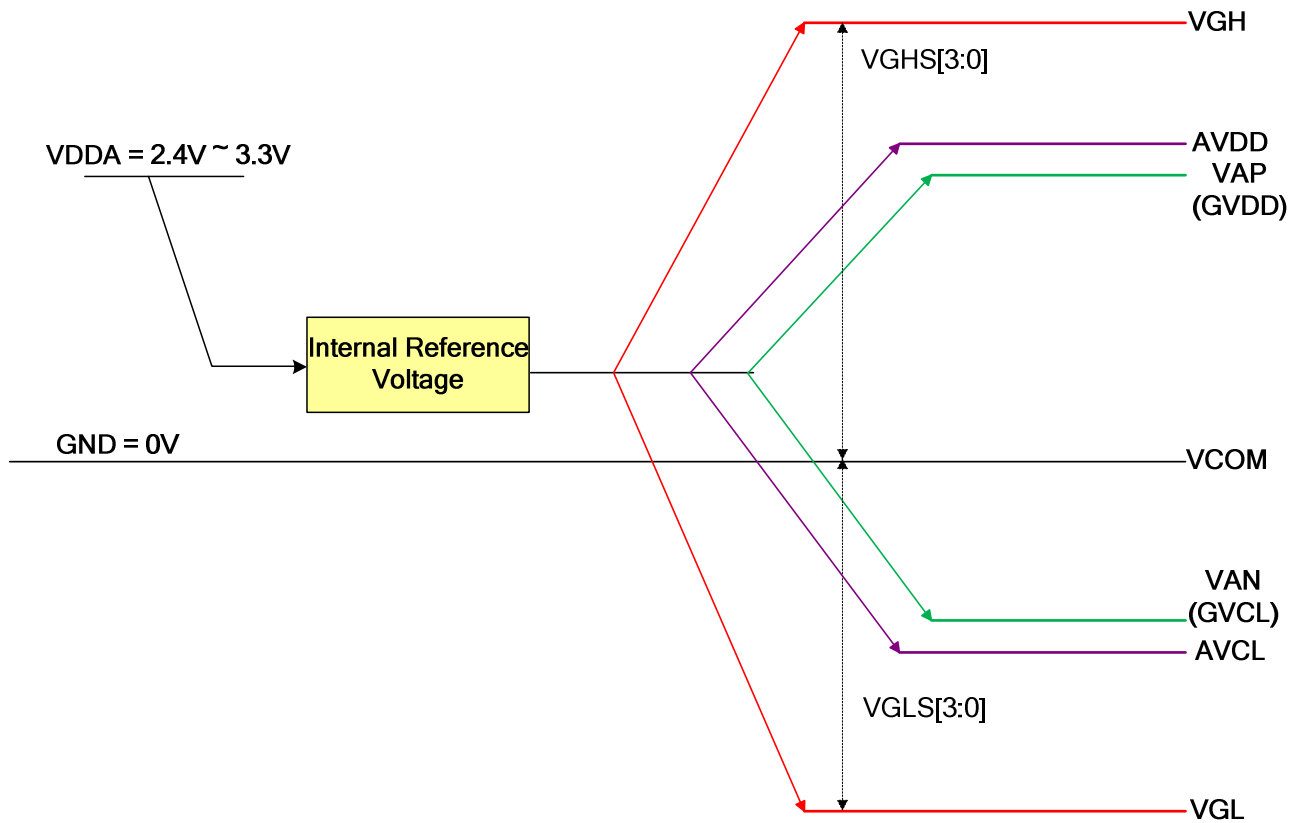


Figure 38 Power Booster Level

10.3 Relationship about source voltage

The relationship about source voltage is shown as below:

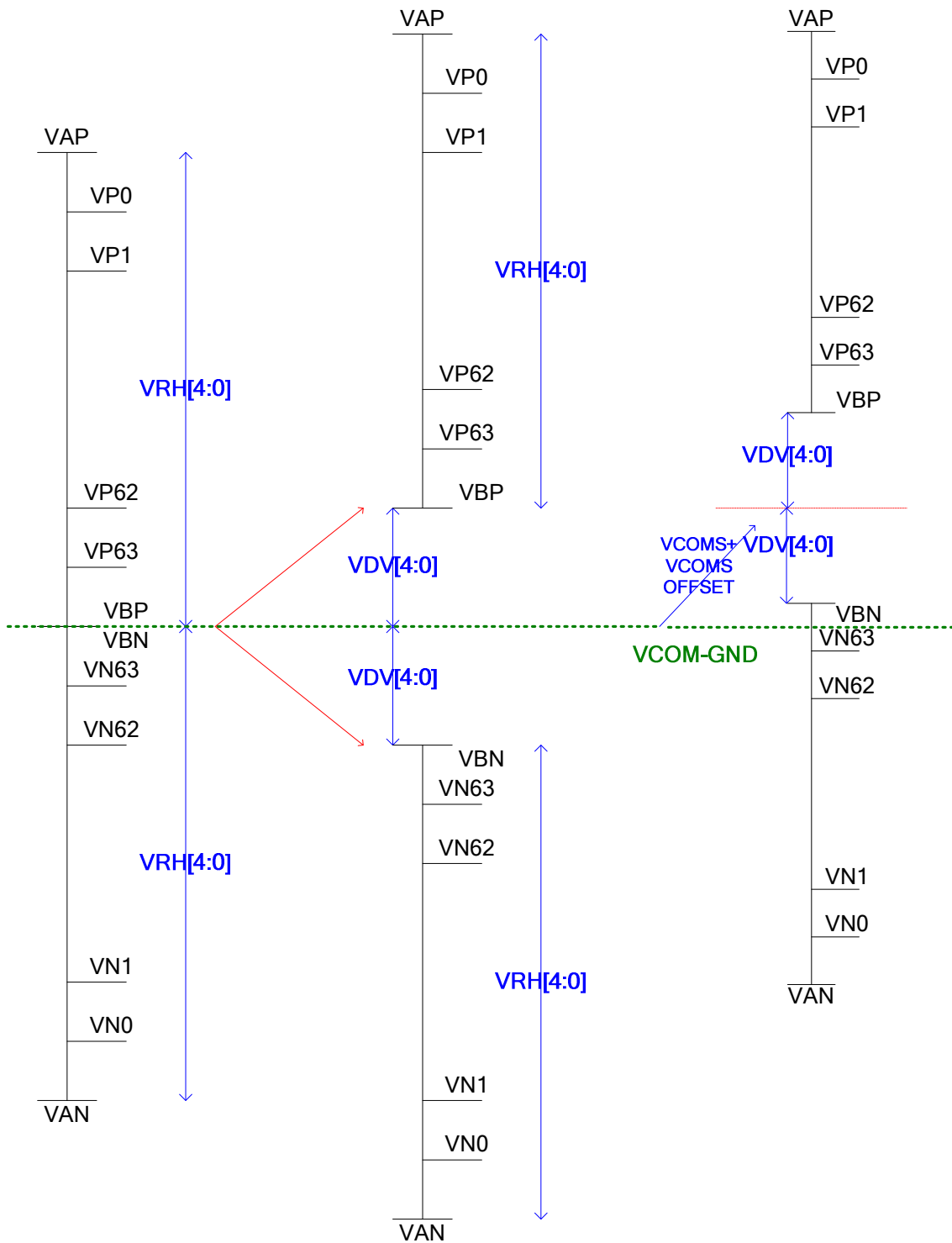


Figure 39 Relationship about source voltage

Note: if $VDV=0V$, $VBP=VBN=VCOM+VCOM\ OFFSET$.

10.4 Applied Voltage to the TFT panel

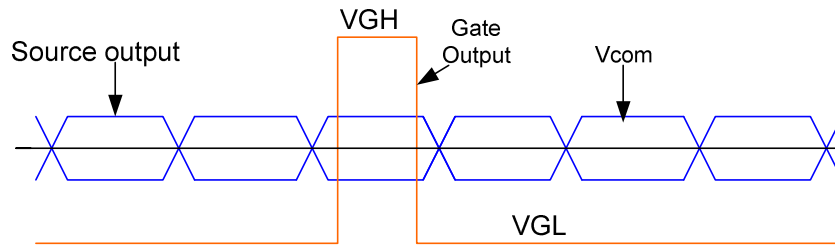


Figure 40 Voltage Output to TFT LCD Panel

11 REVISION HISTORY

| Version | Date | Description |
|---------|---------|-------------|
| V1.0 | 2016/11 | First issue |